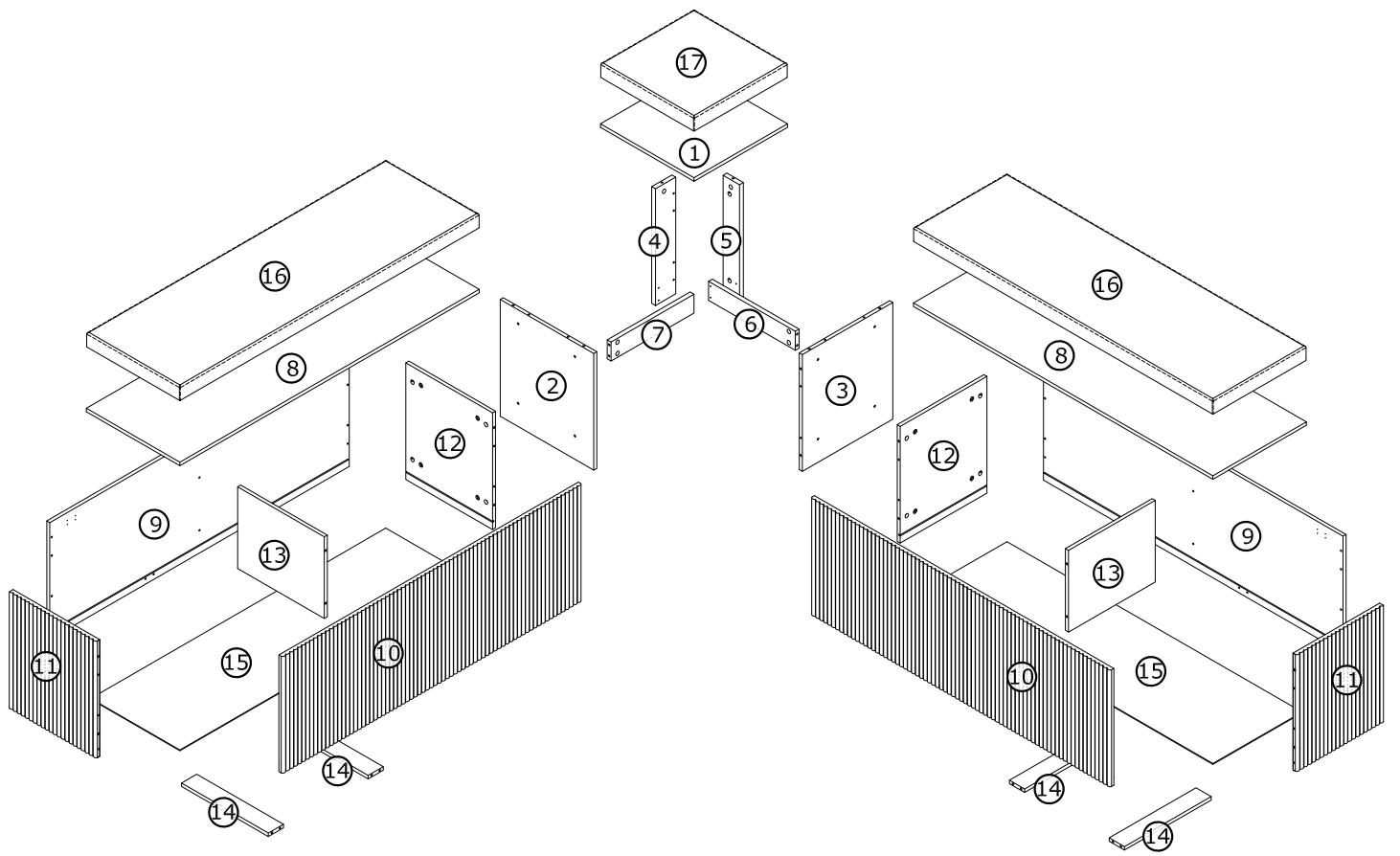
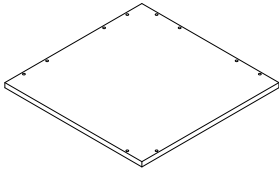
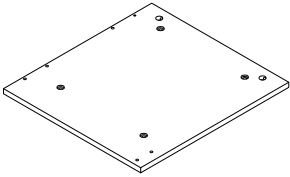
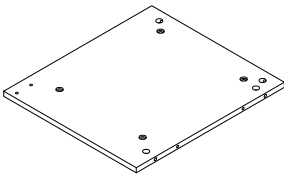
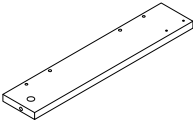
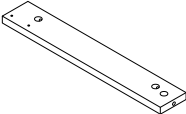
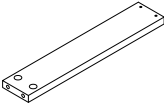
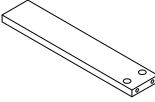
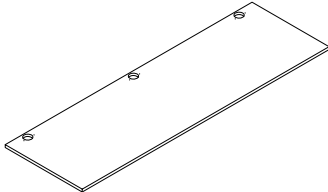
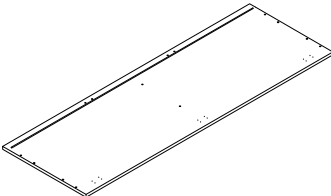
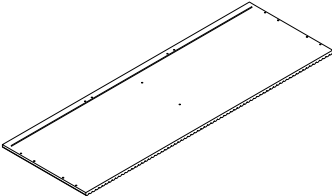
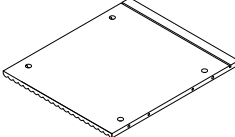
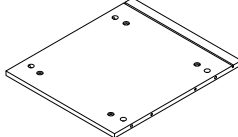
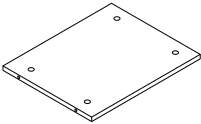
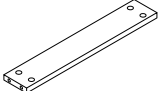
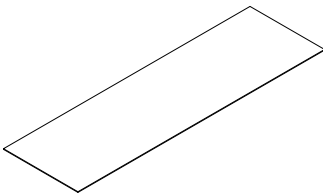
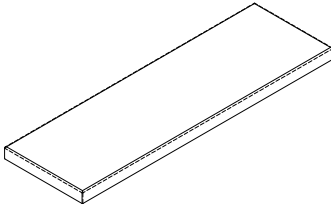
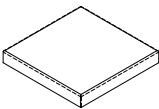


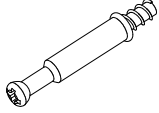

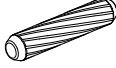
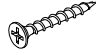
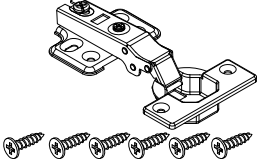

Installation instruction



Parts and Operation Elements

			
① 1pc	② 1pc	③ 1pc	④ 1pc
			
⑤ 1pc	⑥ 1pc	⑦ 1pc	⑧ 2pcs
			
⑨ 2pcs	⑩ 2pcs	⑪ 2pcs	⑫ 2pcs
			
⑬ 2pcs	⑭ 4pcs	⑮ 2pcs	⑯ 2pcs
			
⑰ 1pc			

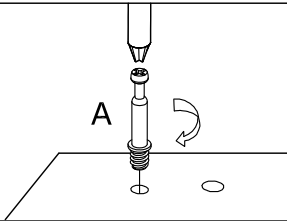
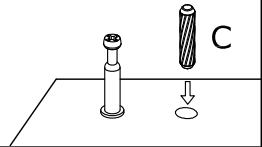
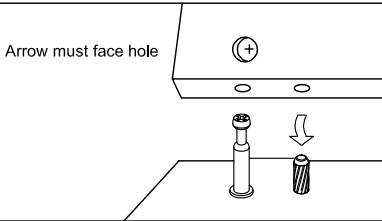
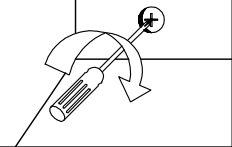
Hardware

 <p>Cam bolt</p>		 <p>Cam lock</p>		 <p>6 x 30mm Wood dowel</p>		 <p>Ø4 x 25mm</p>	
A	54+2pcs	B	54+2pcs	C	24+1pcs	D	6pcs
 <p>3.5x12mm</p>		 <p>M6x12mm</p>					
E	6sets	F	8sets				

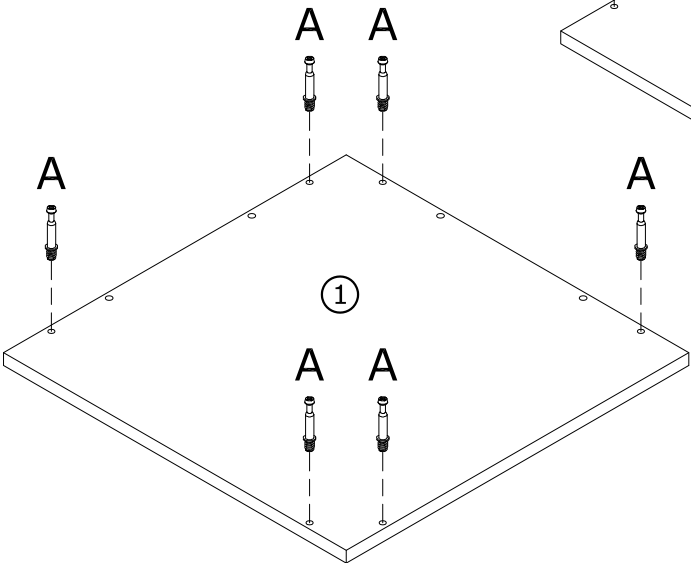
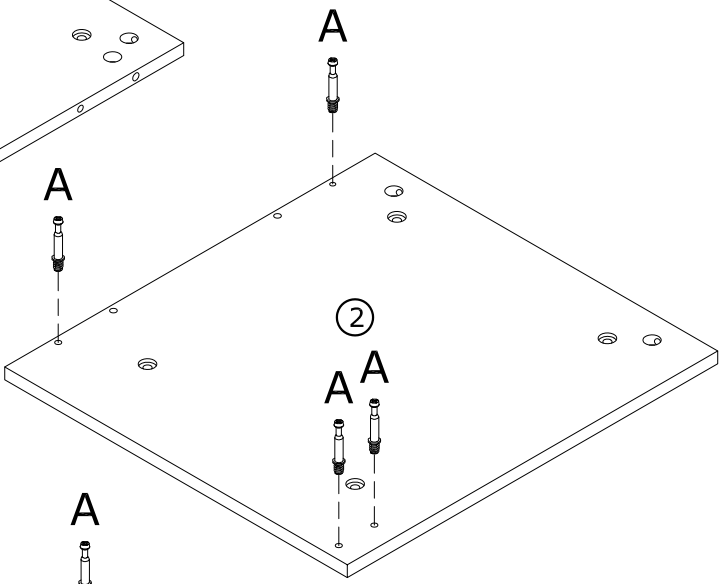
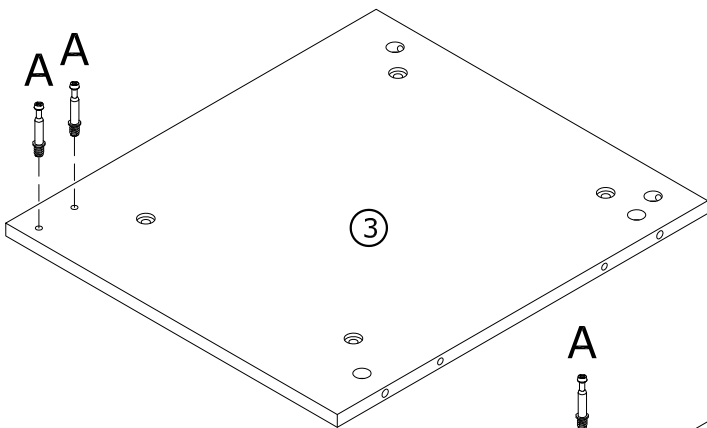
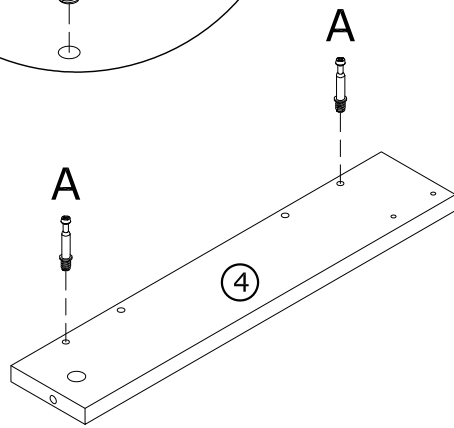
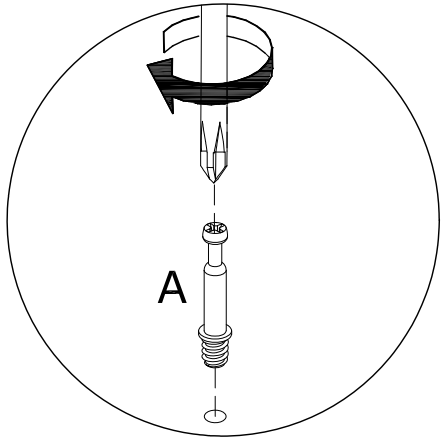
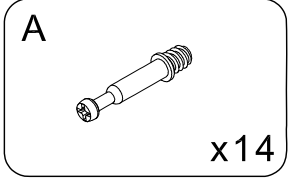


SPARE BAG

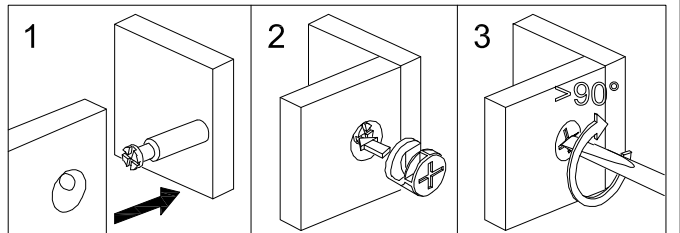
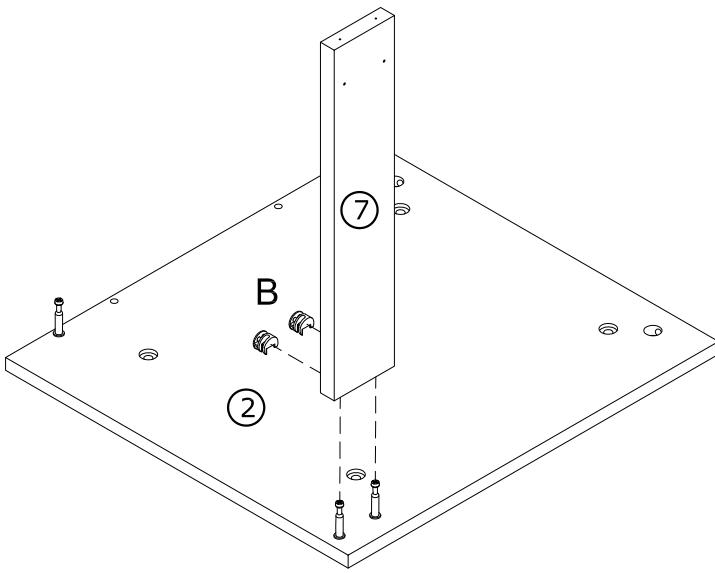
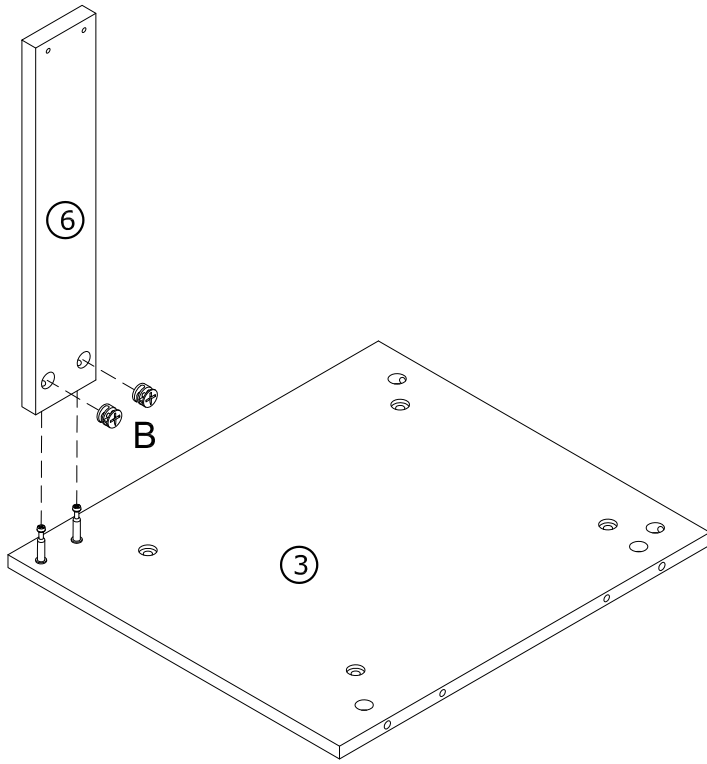
THE SPARE BAG INCLUDED EXTRA HARDWARE FOR DAMAGED OR MISSING SMALL HARDWARE WHILE YOU ARE ASSEMBLING

 <p>A</p>	 <p>C</p>	 <p>Arrow must face hole</p>	
Gently screw cam bolt into the threaded anchor	Insert the wood dowel halfway into hole		Screw the camlock firmly into locked position.

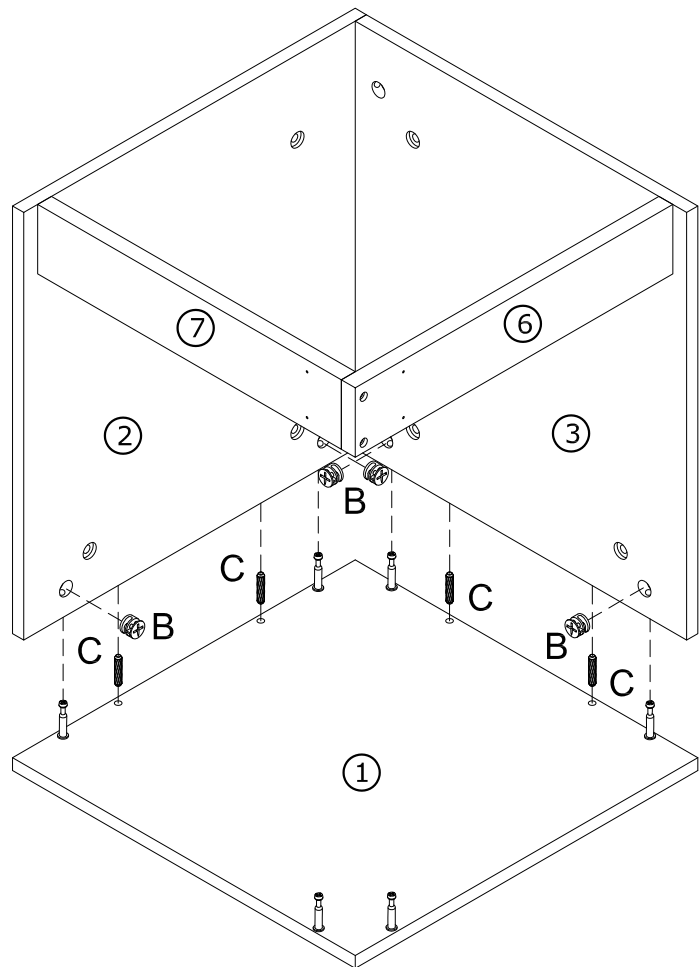
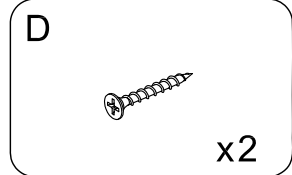
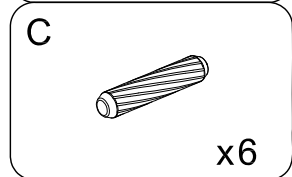
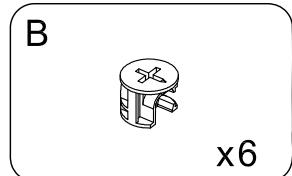
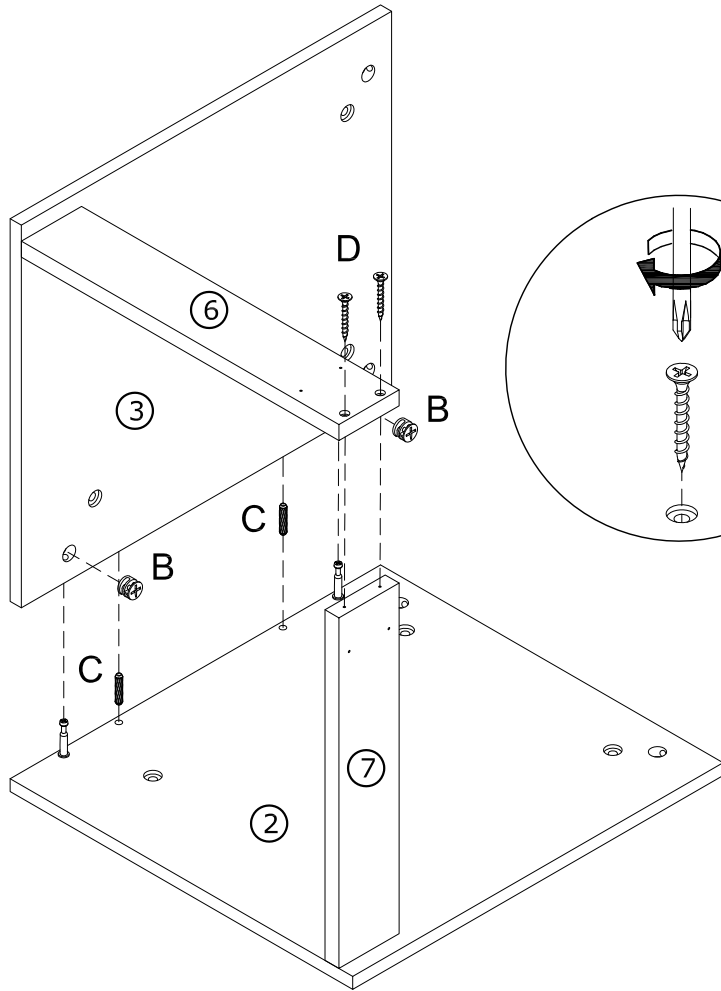
1



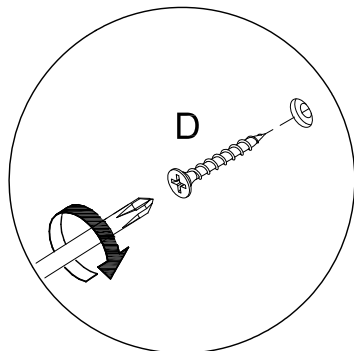
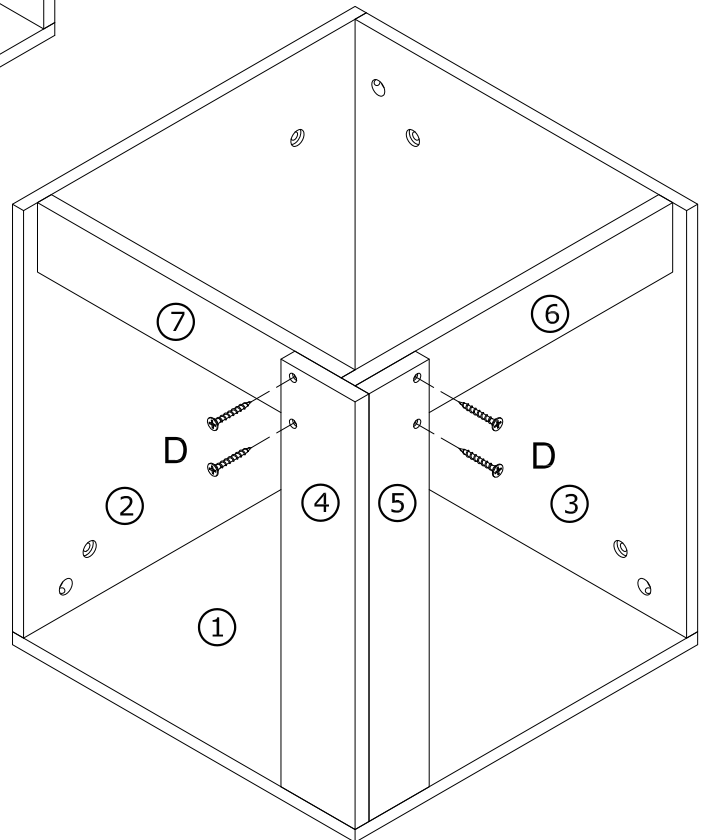
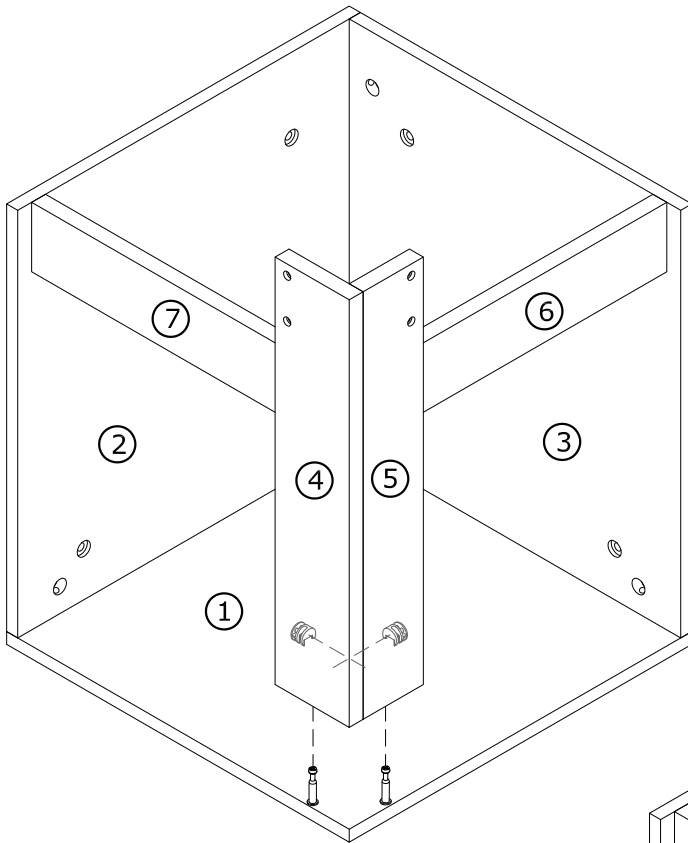
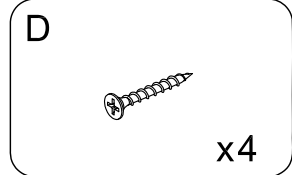
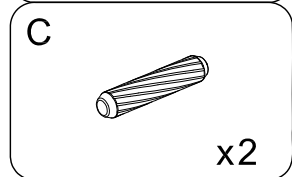
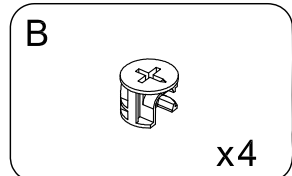
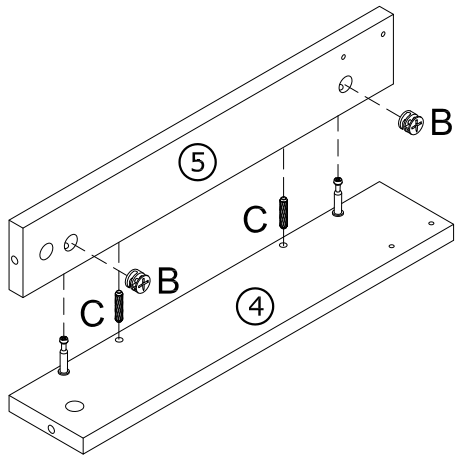
2



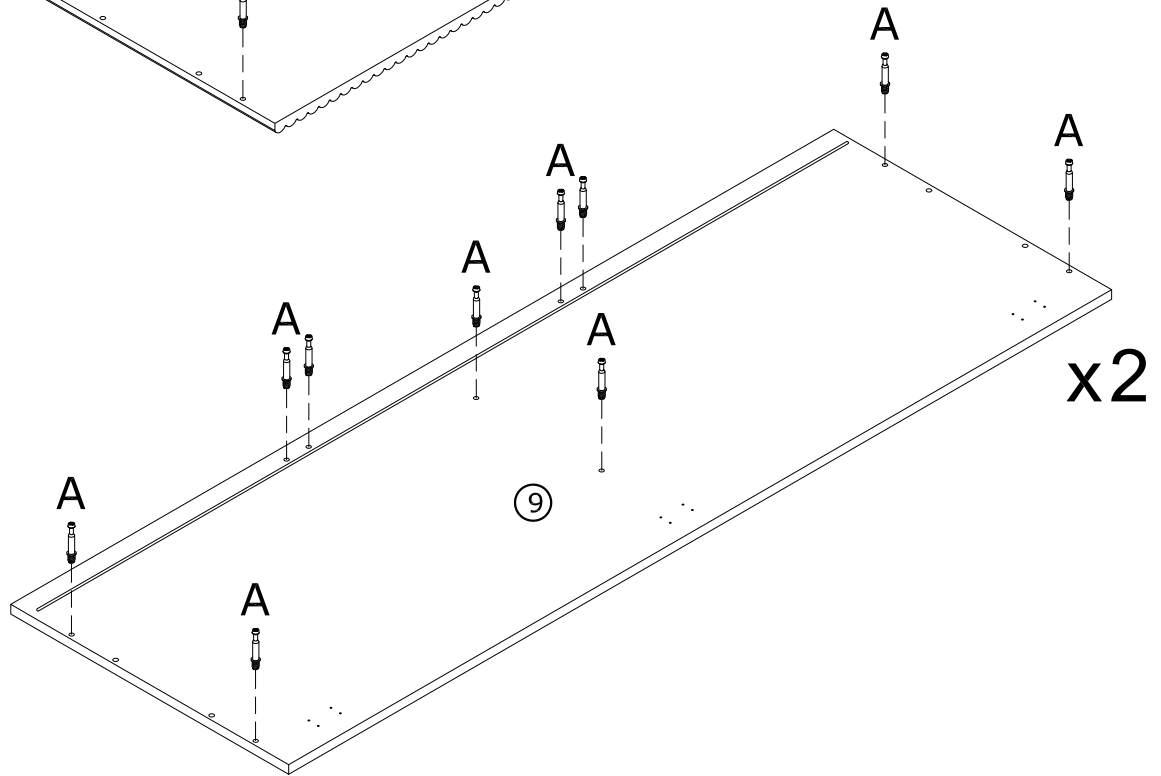
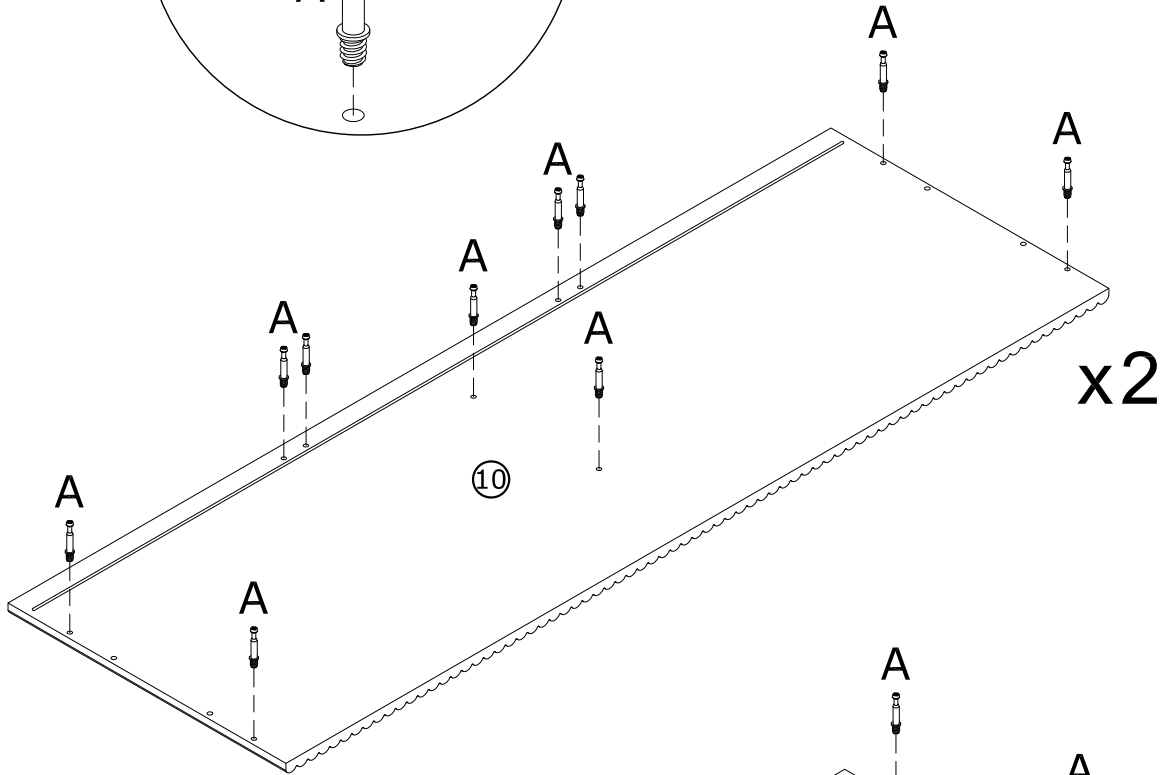
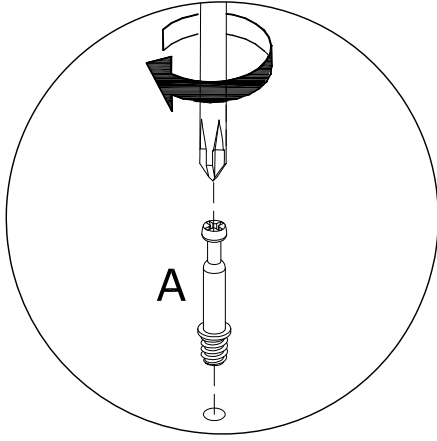
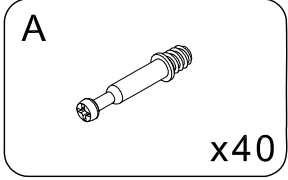
3



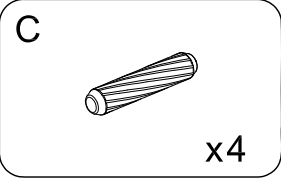
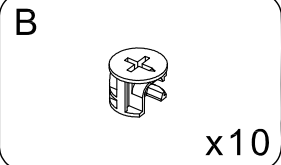
4




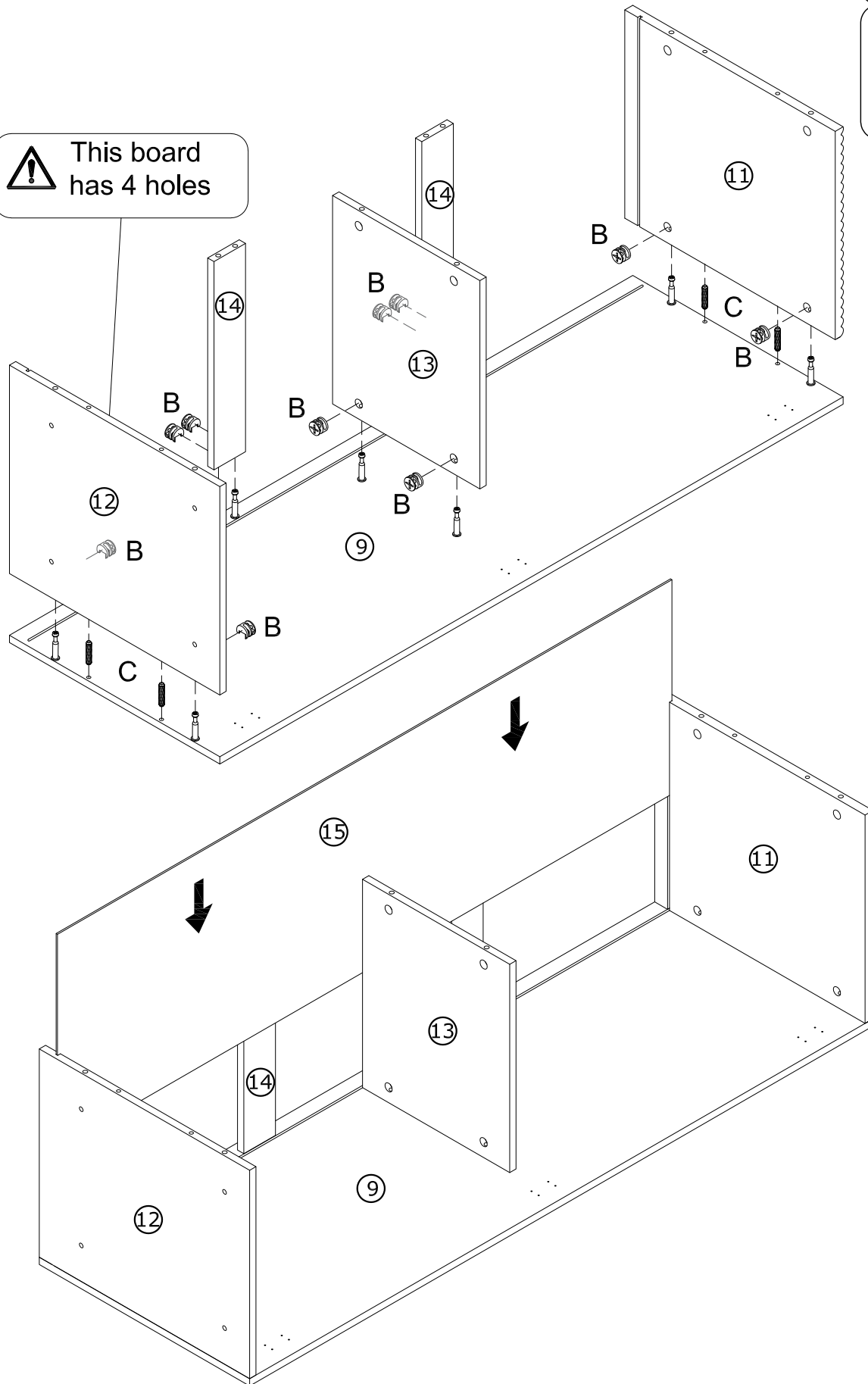
5



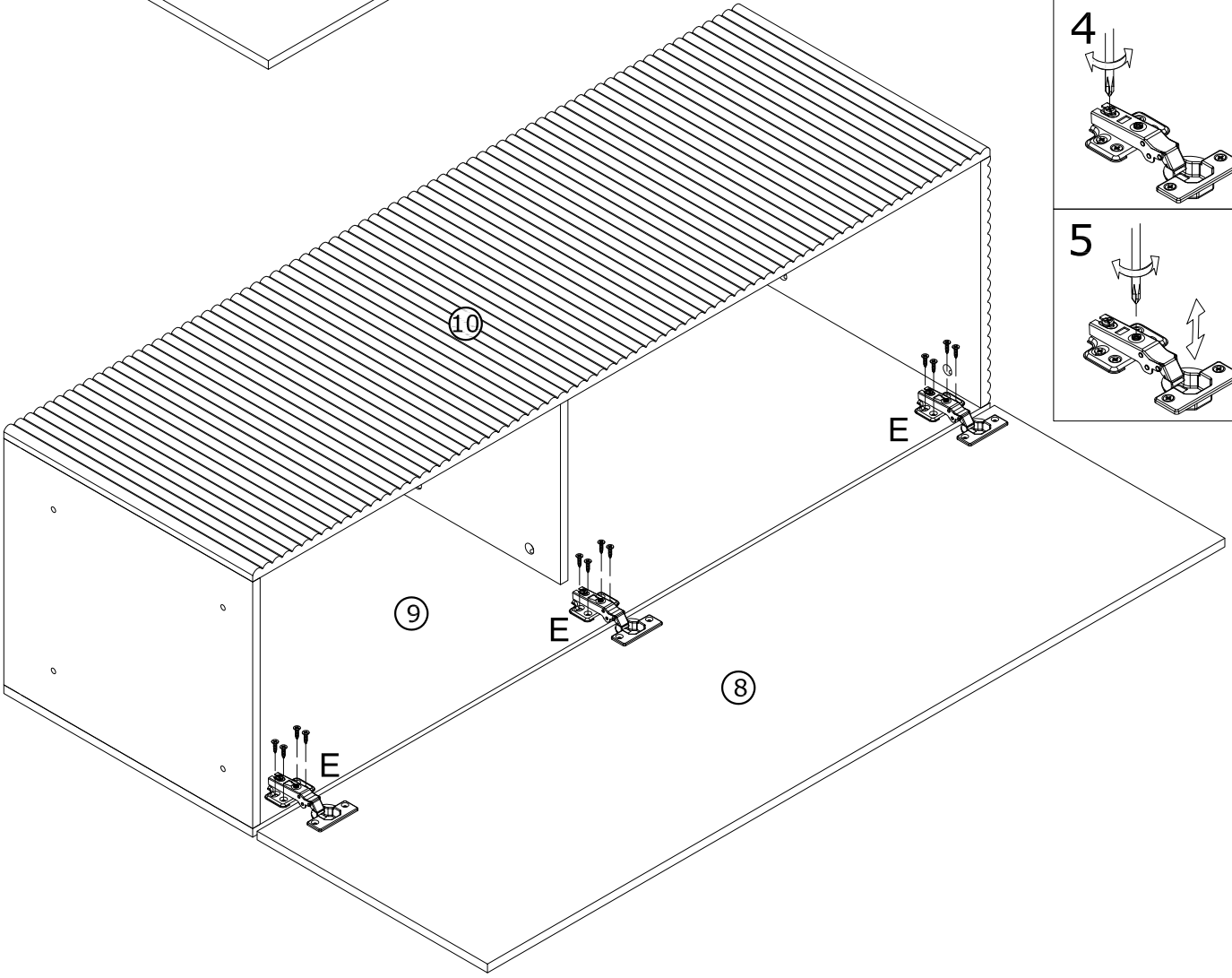
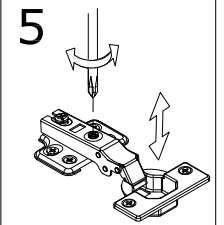
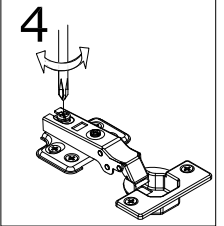
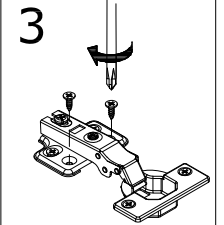
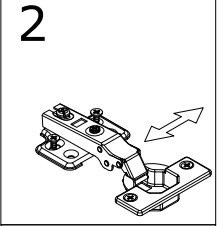
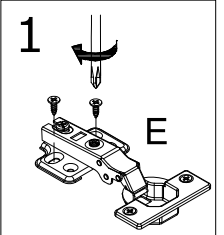
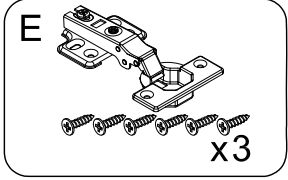
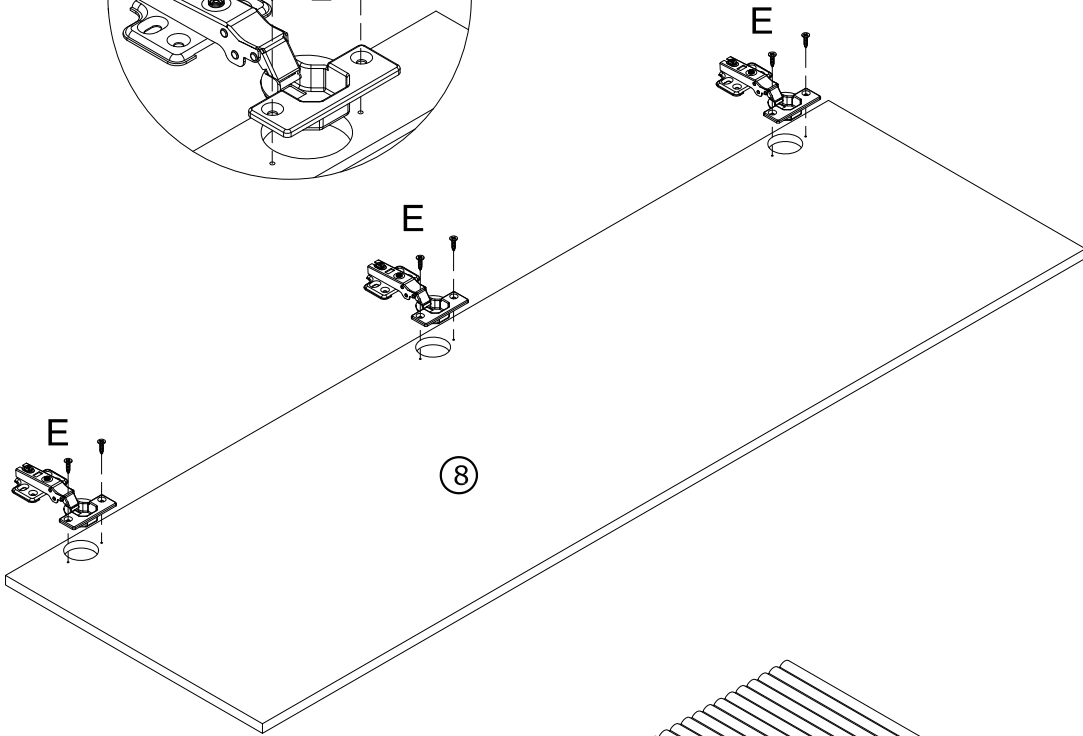
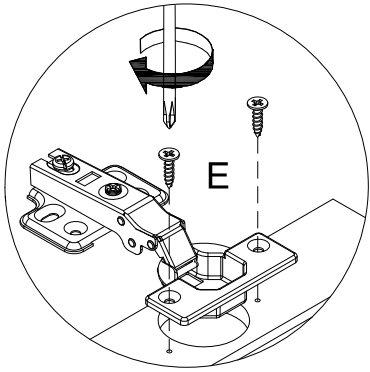
6



 This board has 4 holes




8



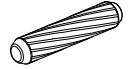
9

B




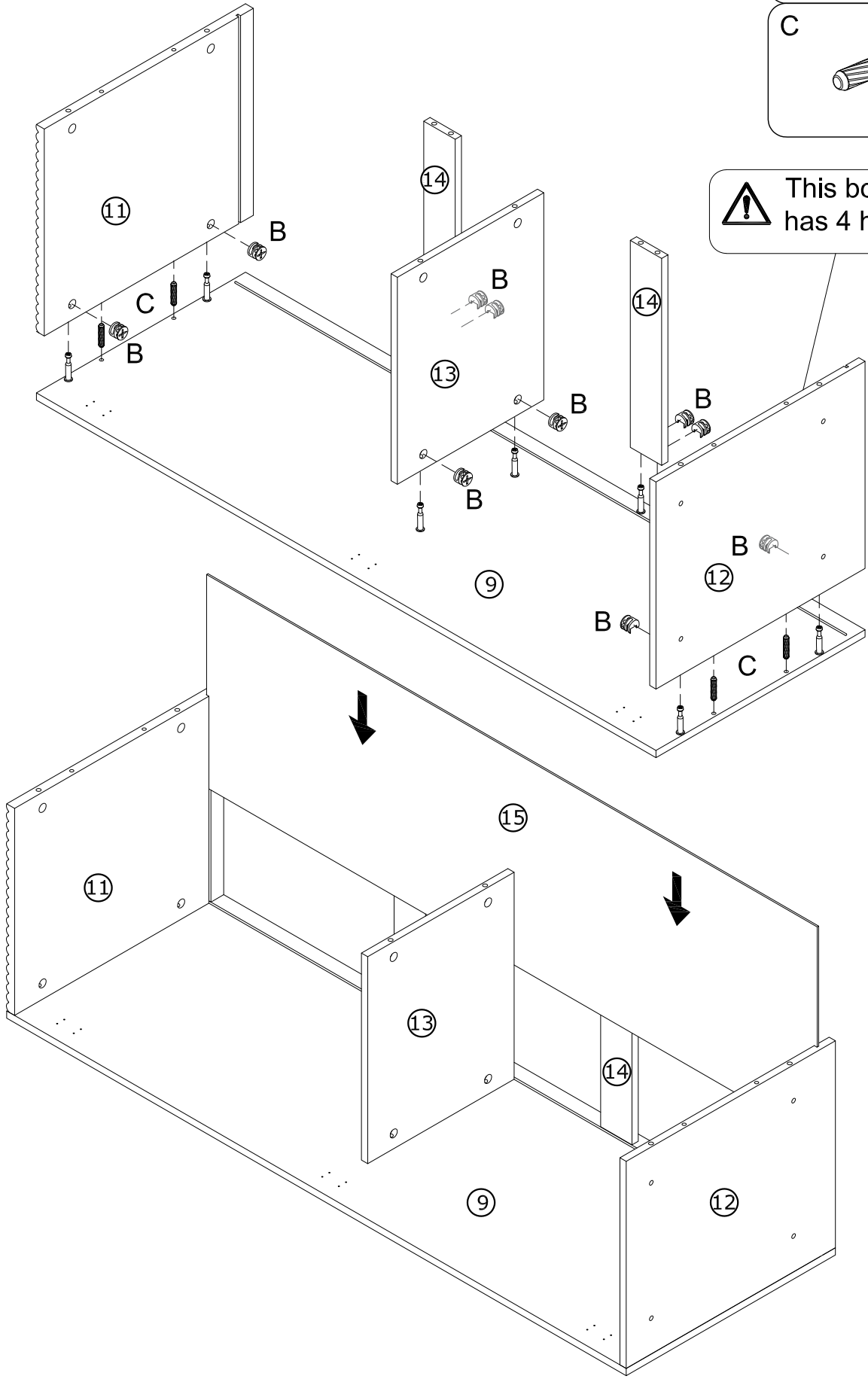
x10

C

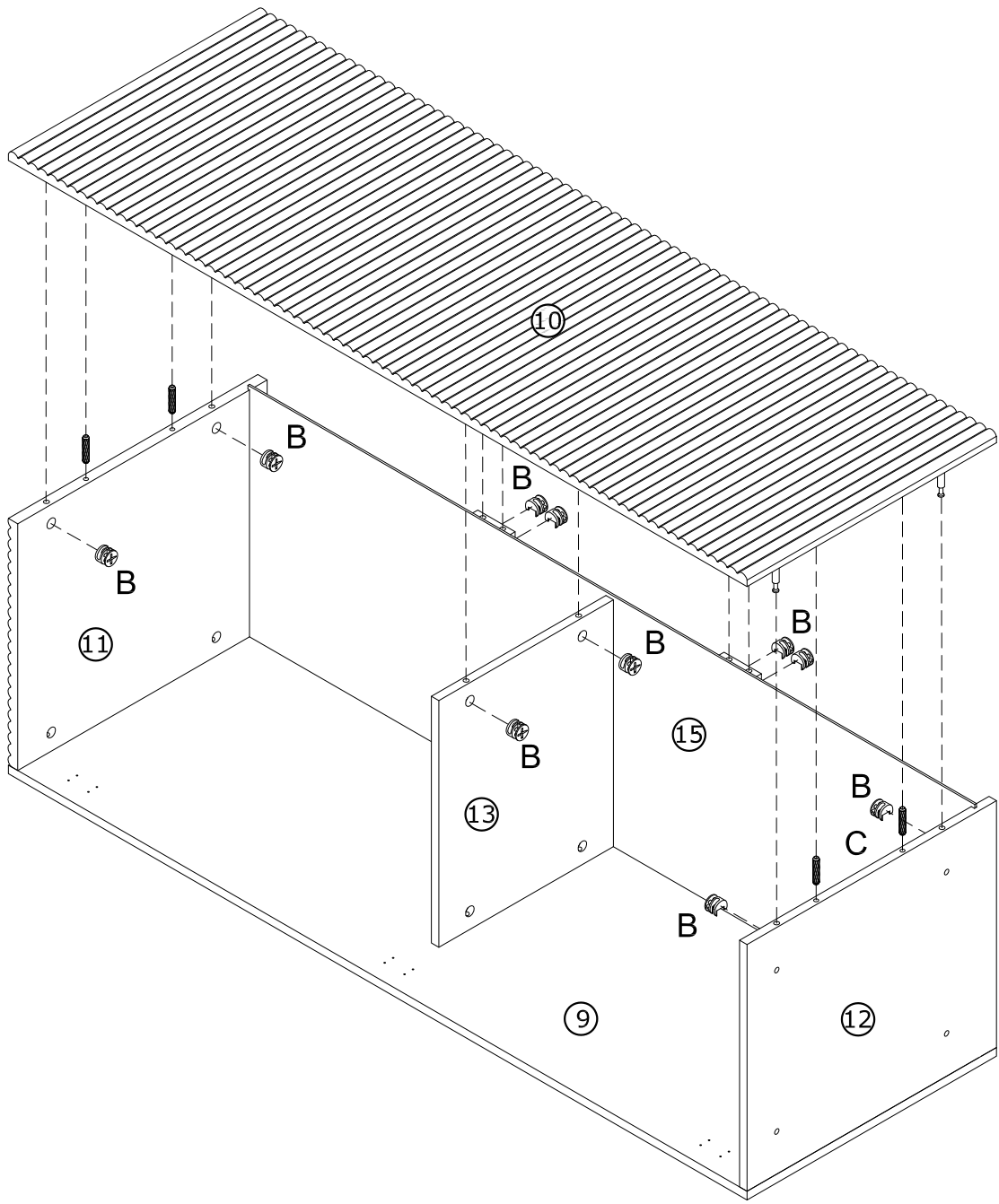
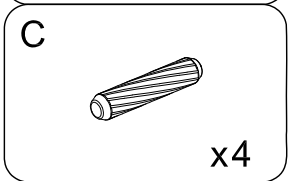
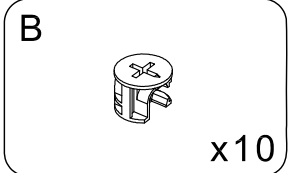


x4

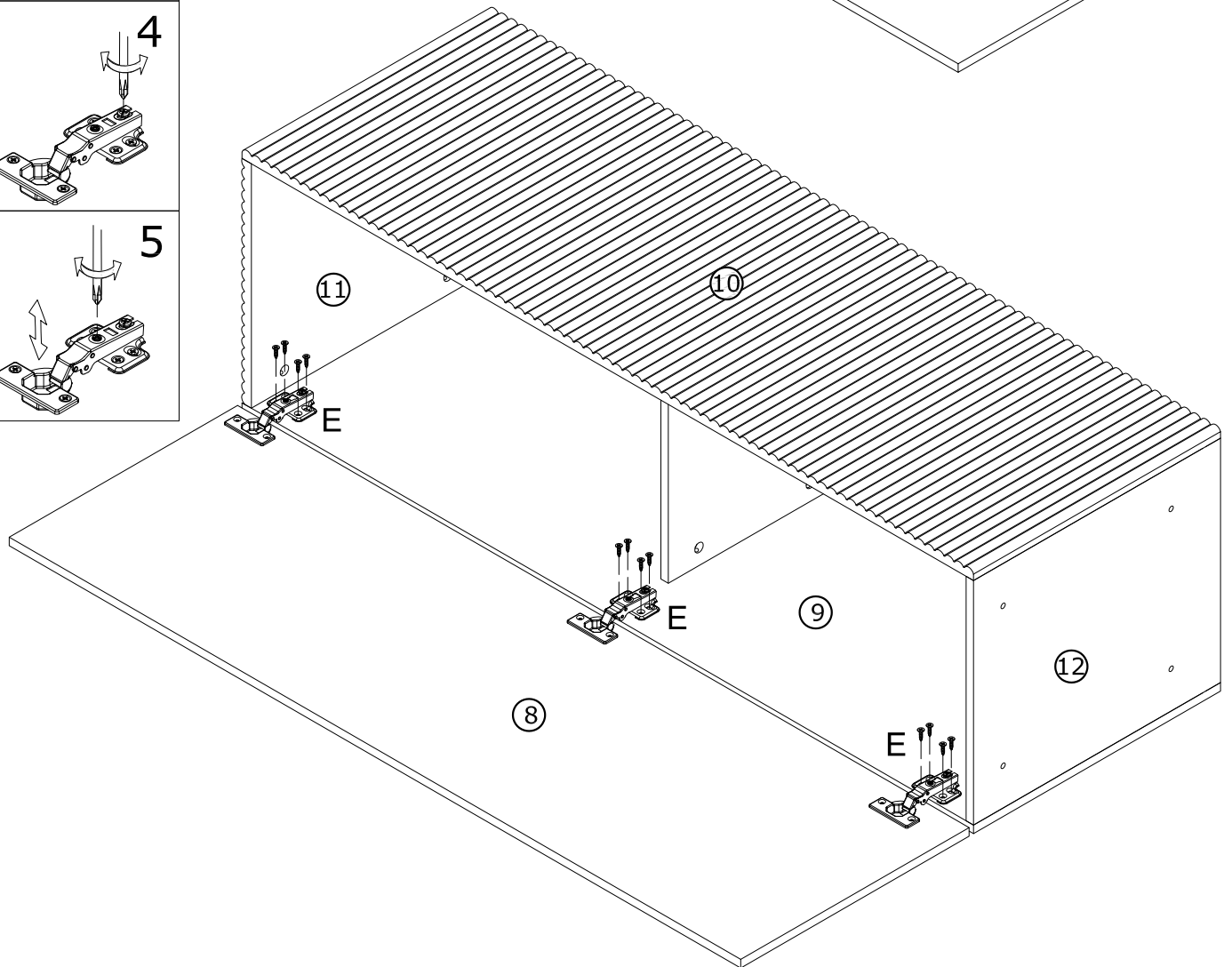
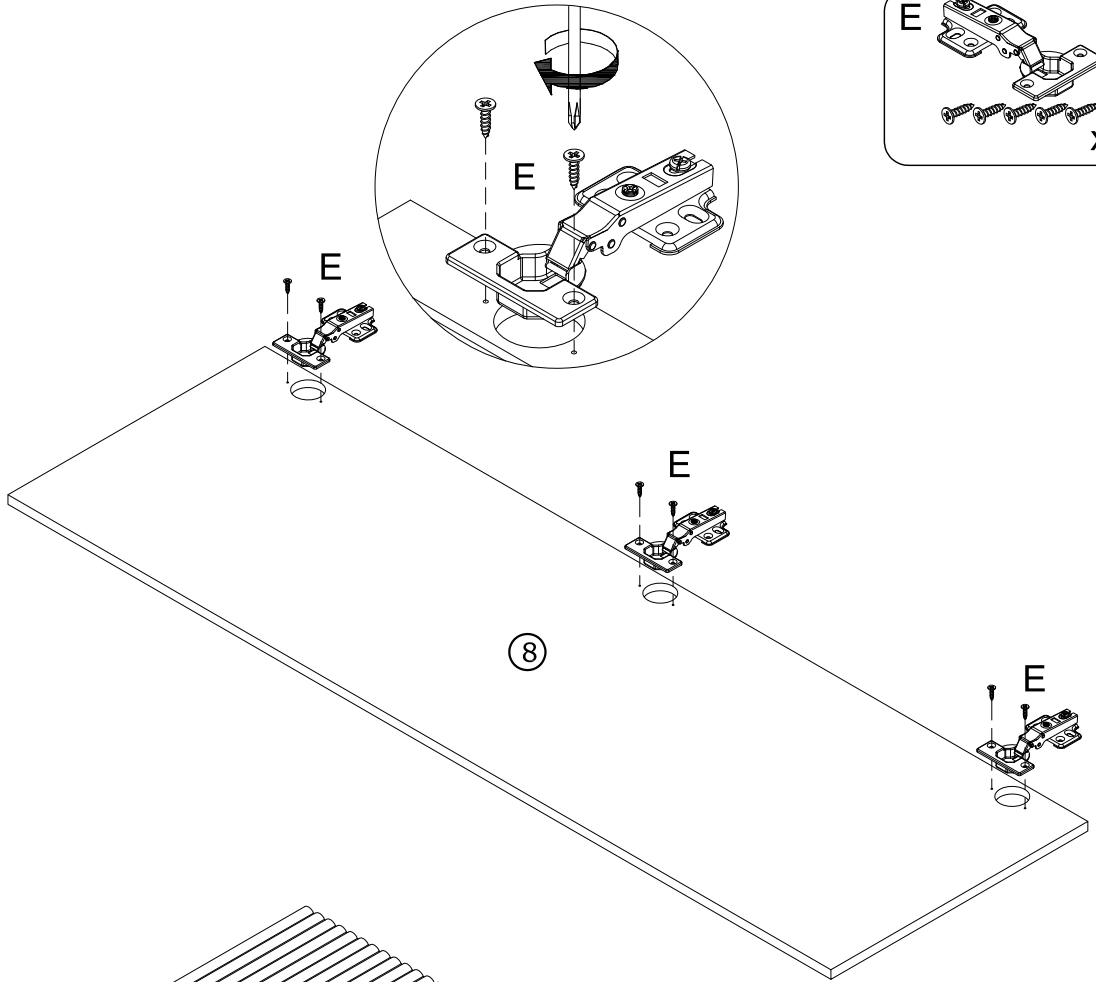
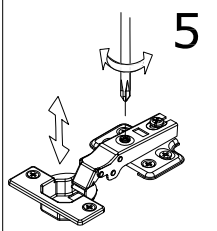
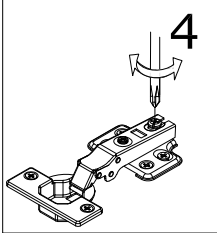
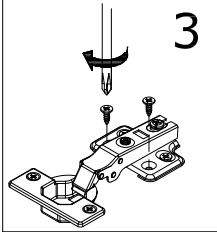
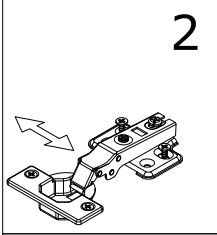
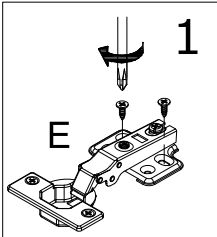
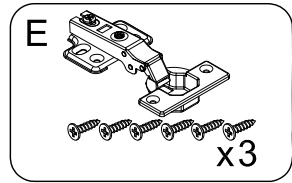
 This board has 4 holes



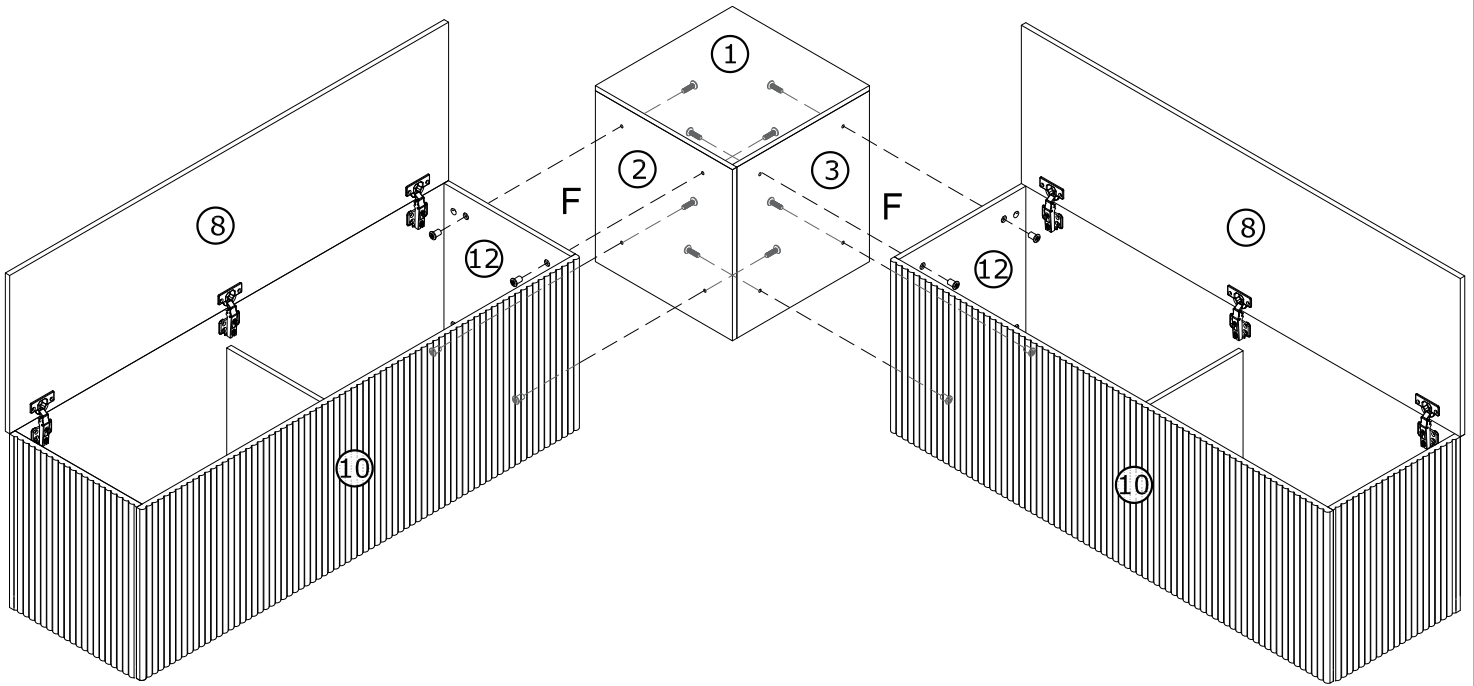
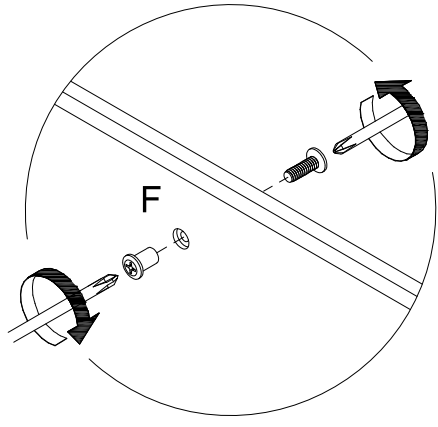
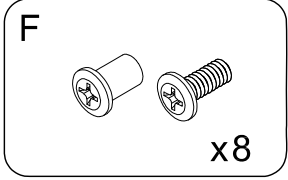
10



11



12



13

