

ASSEMBLY INSTRUCTIONS



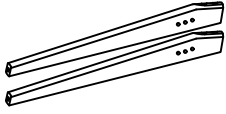
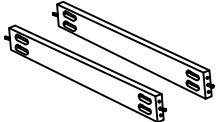
Item No : D1078-13





REX 65" ROUND TABLE WITH SELF STORING LEAVES

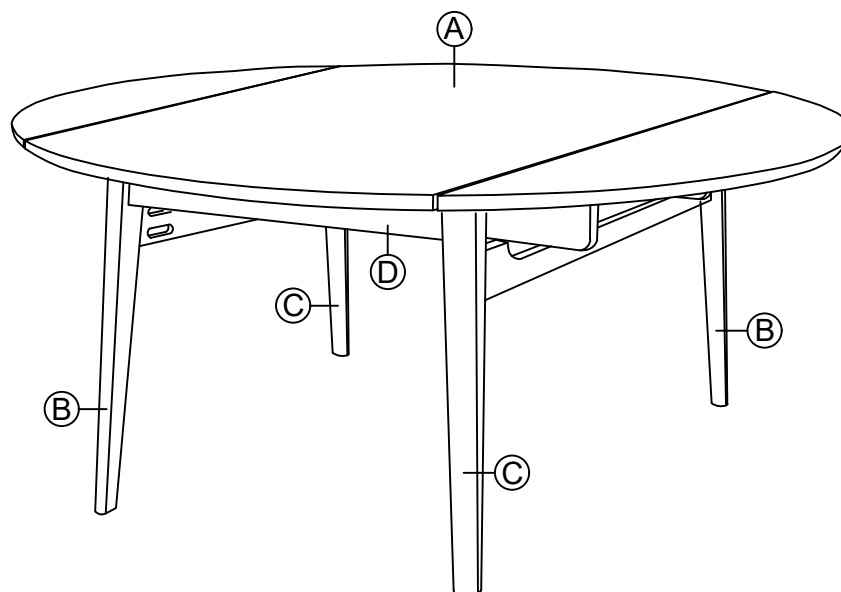
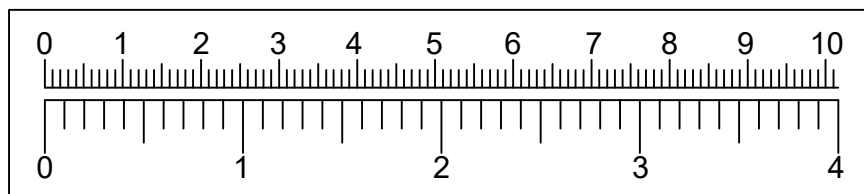
Thank you for purchasing this quality product. Be sure to check all packing materials carefully for small parts, which may have come loose inside the carton during shipment. Identify and count all items and compare with the parts list and/or hardware list shown below.

Cautions :

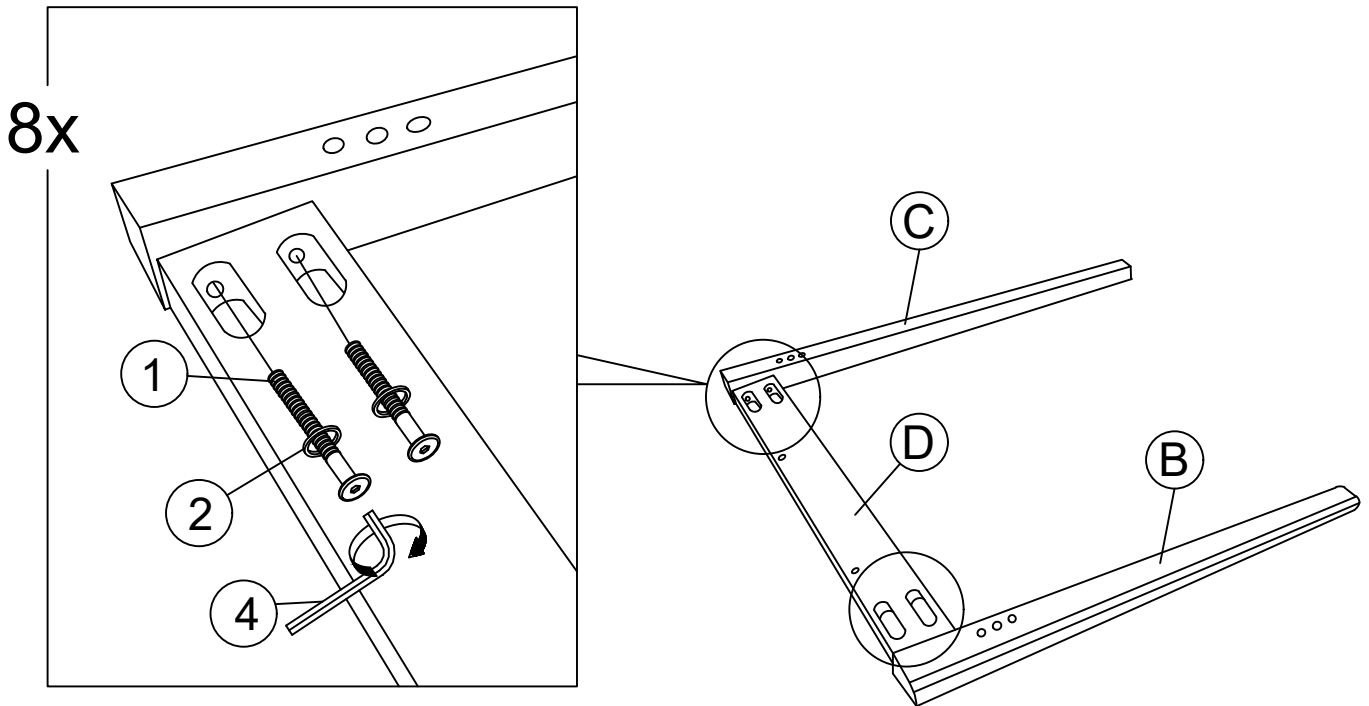
- (1) Do not fully-tighten the nuts or bolts until all nuts and bolts are assembled.
(To avoid causing damages to the thread, do not over-tighten the nuts or bolts.)
- (2) Keep all hardware part out of reach of children.

PARTS LIST			
NO	DESCRIPTION	SKETCH	QTY
A	TABLE TOP		1 PC
B	LEFT SIDE FACING (LSF) LEG		2 PCS
C	RIGHT SIDE FACING (RSF) LEG		2 PCS
D	APRON		2 PCS

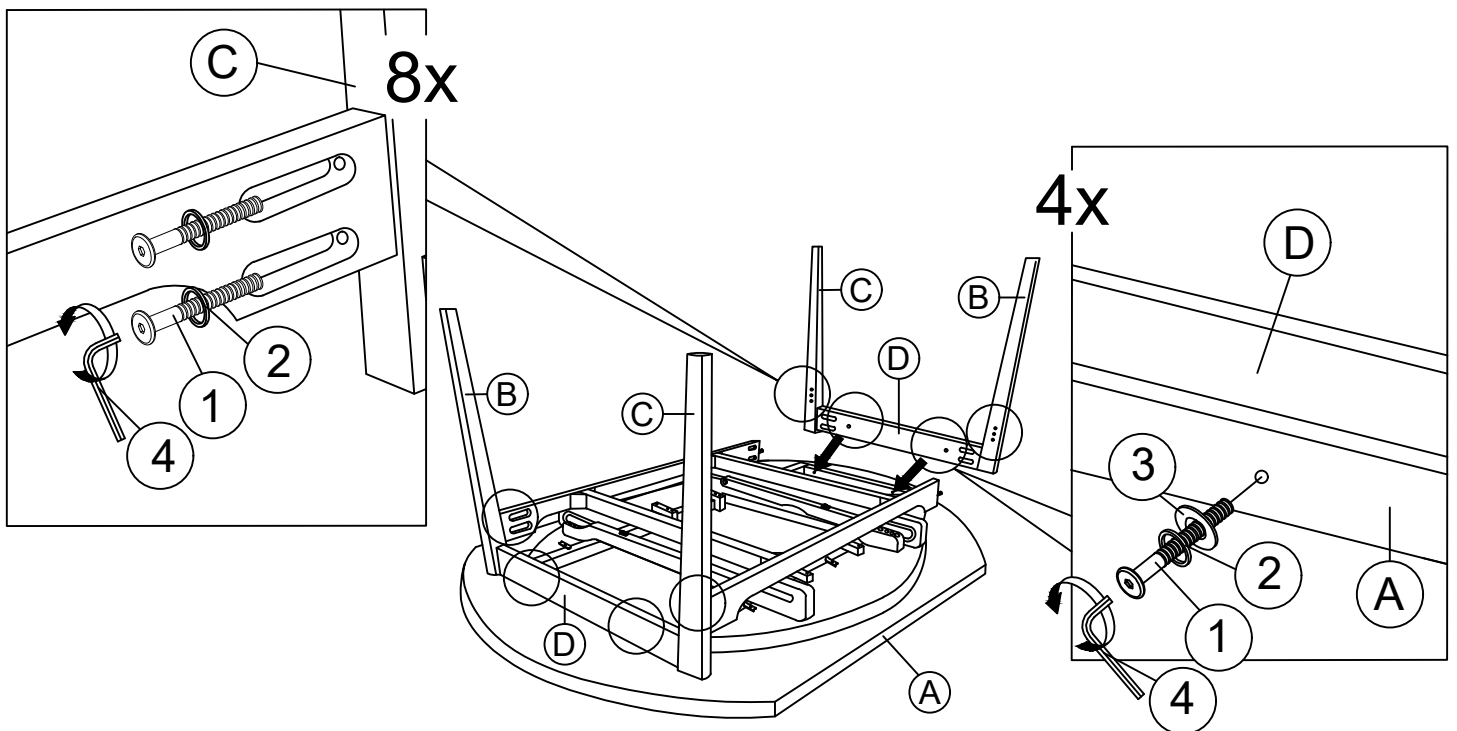
HARDWARE LIST			
NO	DESCRIPTION	SKETCH	QTY
1	BOLT 1/4" x 2"		20 PCS
2	SPRING WASHER 1/4"		20 PCS
3	FLAT WASHER 1/4"		4 PCS
4	ALLEN KEY		1 PC



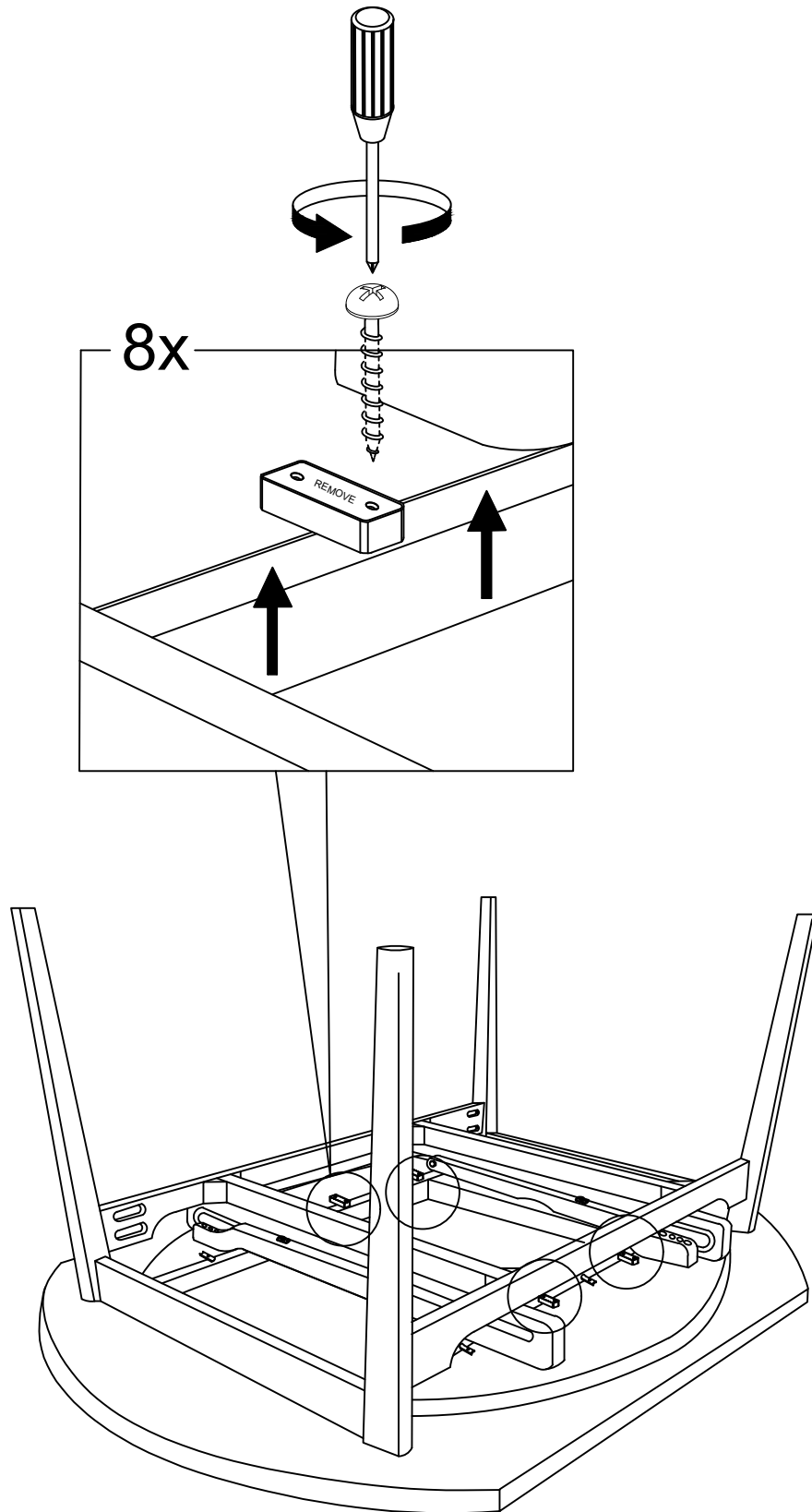
STEP 1 : Assemble the RSF Leg (C) & LSF Leg (B) to the Apron (D) by using the Allen Key (4) and the hardware Bolt 1/4" x 2" (1) & Spring Washer (2). Repeat to build the other leg frame.



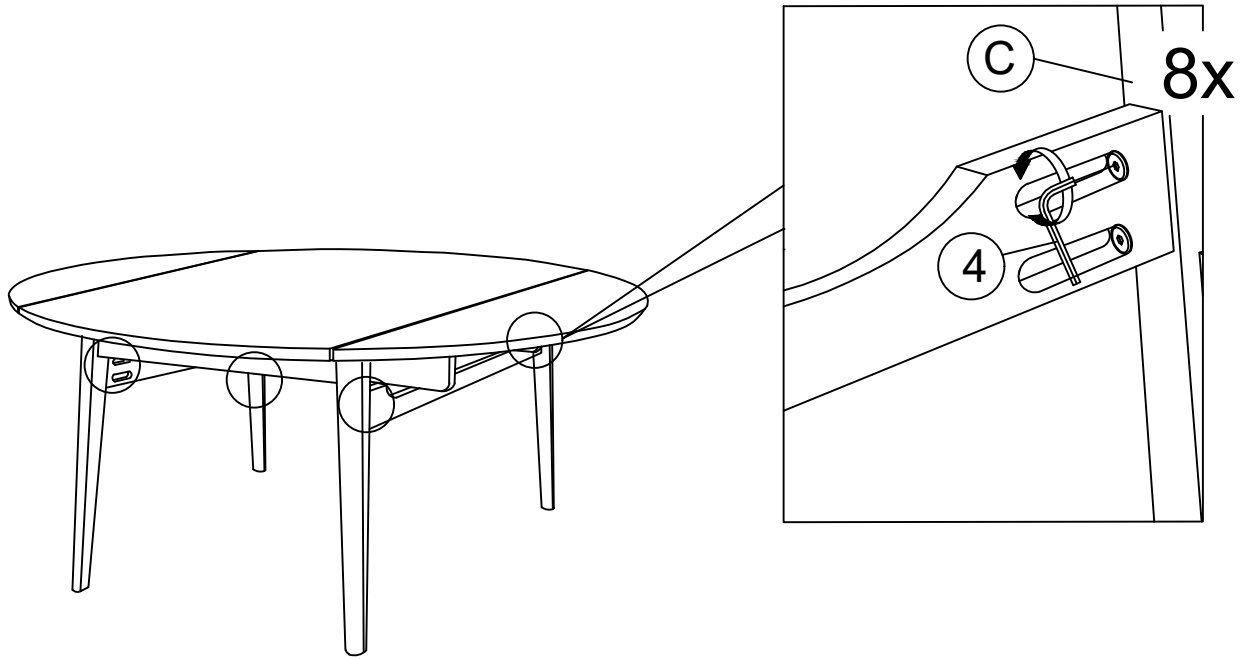
STEP 2 : Assemble the leg frames to the Table Top (A) by using the Allen Key (4) and the hardware Bolt 1/4" x 2" (1), Spring Washer (2) & Flat Washer (3).
****Attention: DO NOT TIGHTEN THE BOLTS.**



STEP 3 : Plastic blocks are placed to prevent damage during transportation. Use a screwdriver to uninstall and discard the plastic blocks and screws before operating the table leaves.

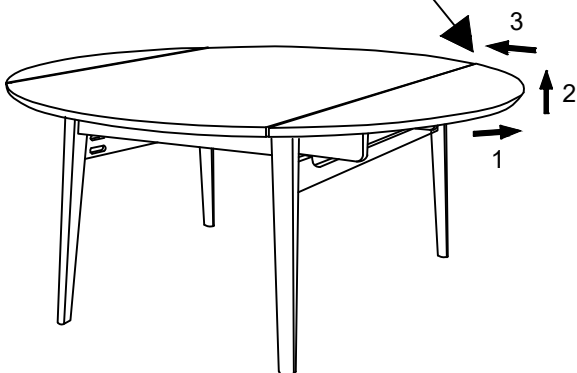
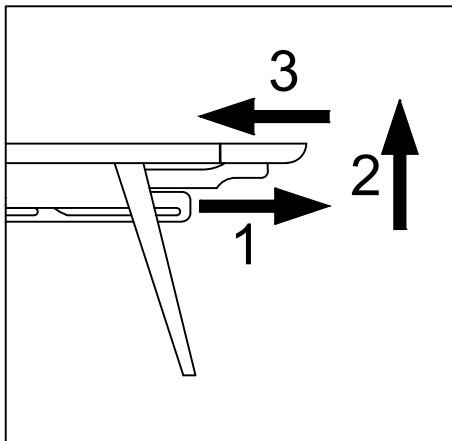


STEP 4 : To level the table, stand the table upright on a flat surface and tighten all the bolts by using Allen Key (4).

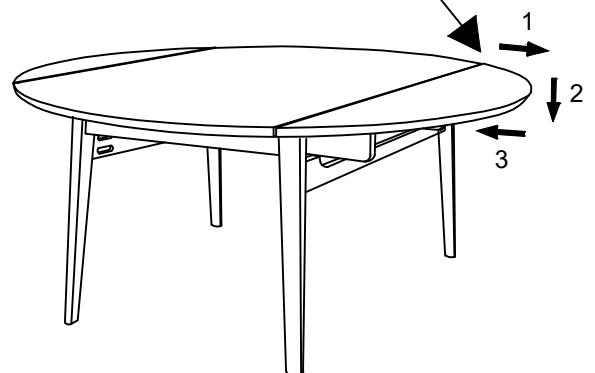
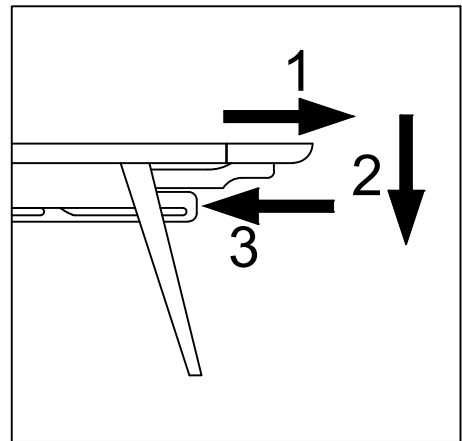


STEP 5 : To operate & store leaf extension table as shown.

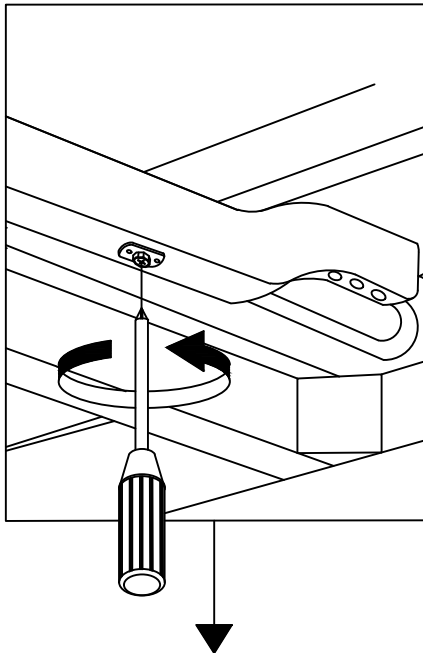
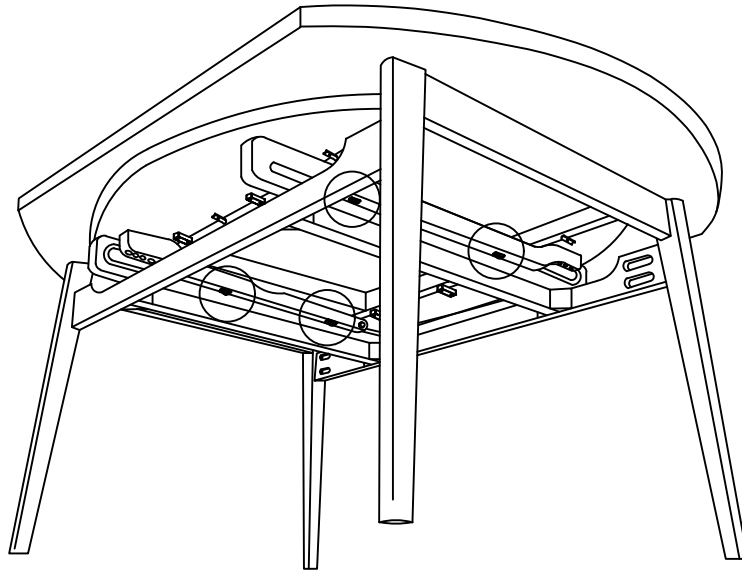
To Operate



To Store

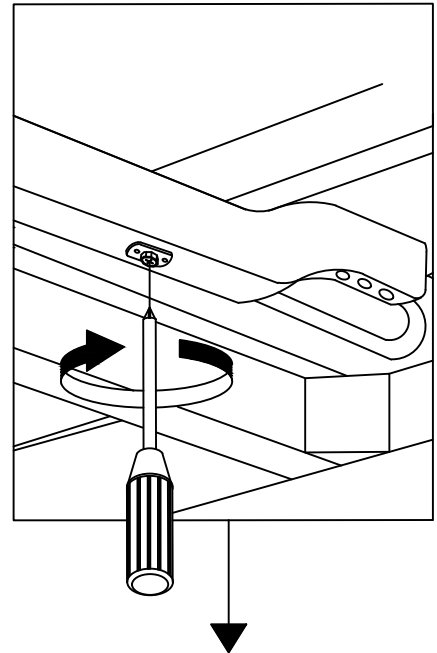
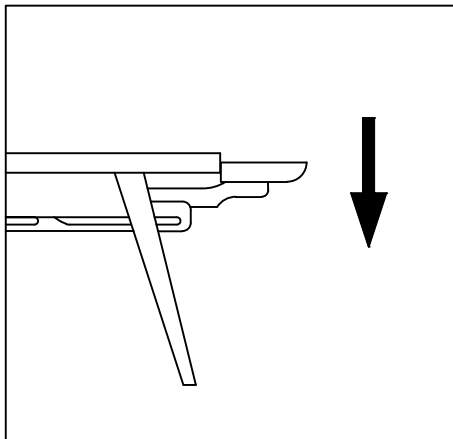


STEP 6 : To level the leaves of the table by using a screwdriver to turn the screw.



Turn the screw counterclockwise
To move the leaf

Downward



Turn the screw clockwise
To move the leaf

Upward

