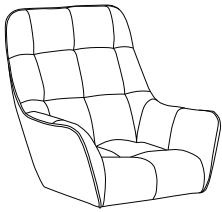
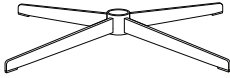

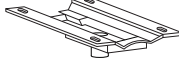
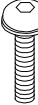


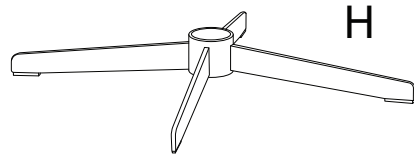
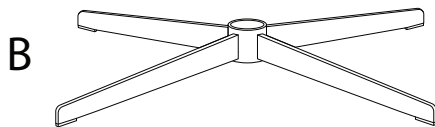
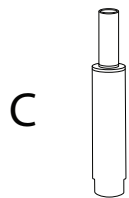
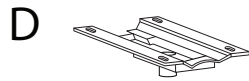
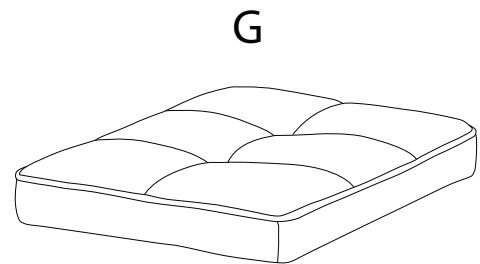
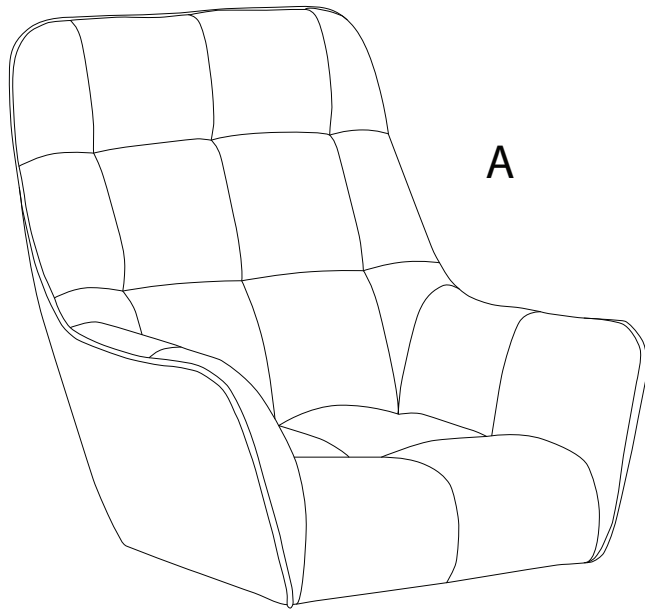


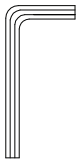

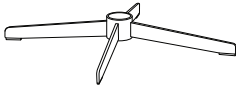




Assembly instructions for the chair and ottoman:

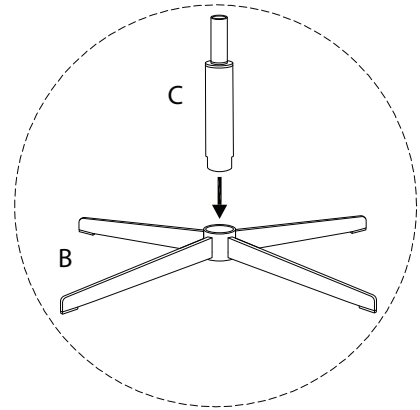
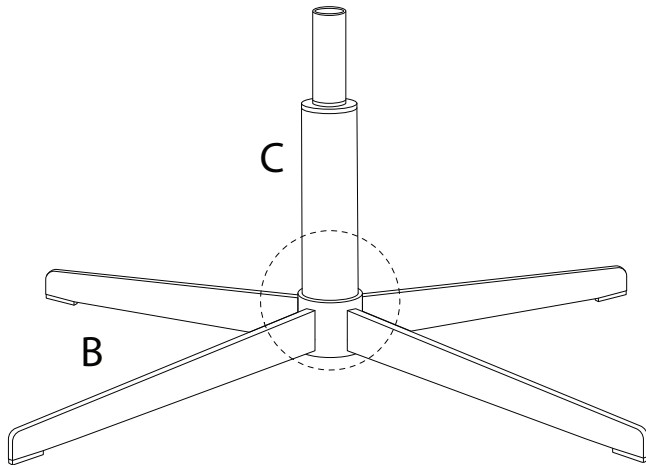
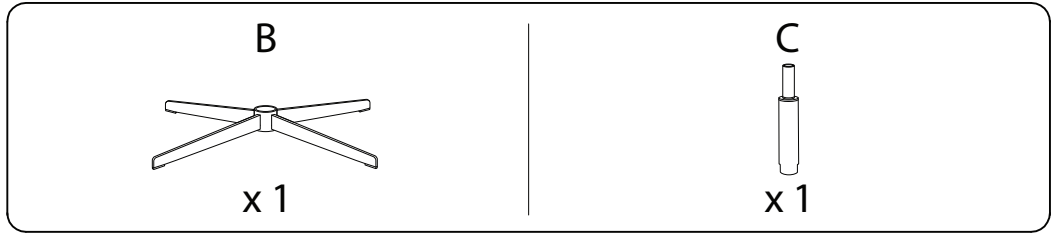
- Warning:** Do not use a power drill. Use the provided Allen key to tighten the base.
- Warning:** Do not use a power drill to tighten the base. Use the provided Allen key to tighten the base.
- Time:** 20'
- Personnel:** 1

<b>A</b>	<b>B</b>	<b>C</b>	<b>D</b>	<b>E</b>
				 M6 x 20
<b>x 1</b>	<b>x 1</b>	<b>x 1</b>	<b>x 1</b>	<b>x 8</b>

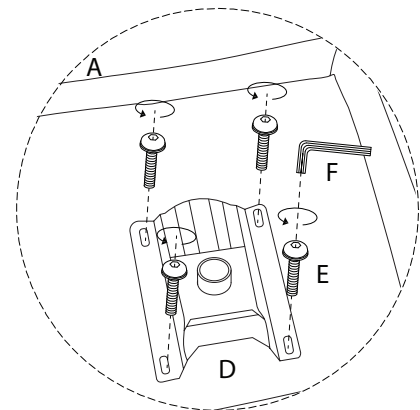
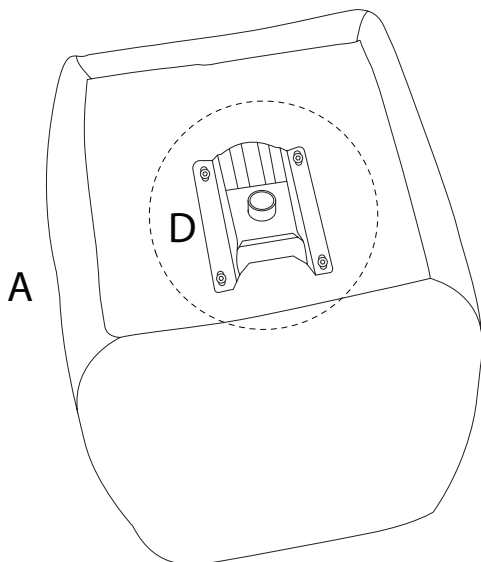
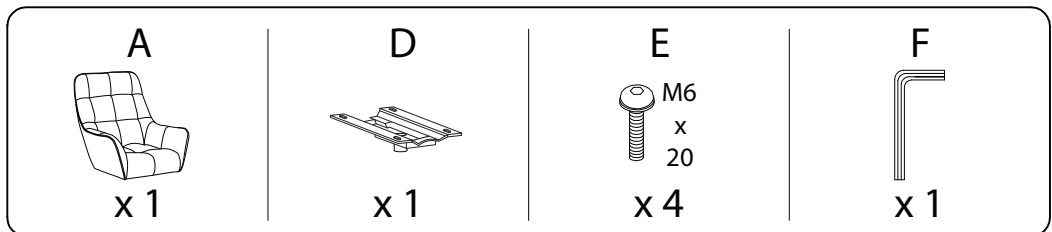


<b>F</b>	<b>G</b>	<b>H</b>	<b>I</b>	<b>J</b>
				
<b>x 1</b>	<b>x 1</b>	<b>x 1</b>	<b>x 1</b>	<b>x 1</b>

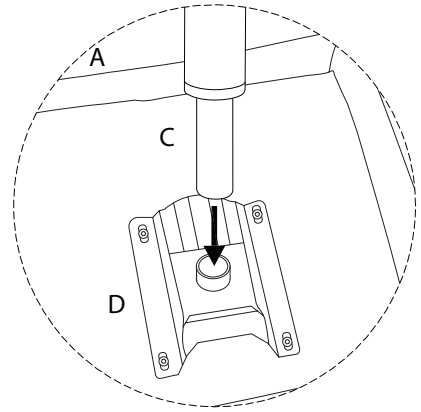
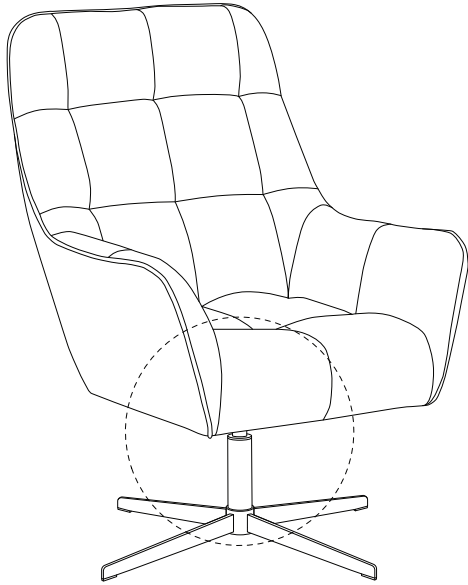
1



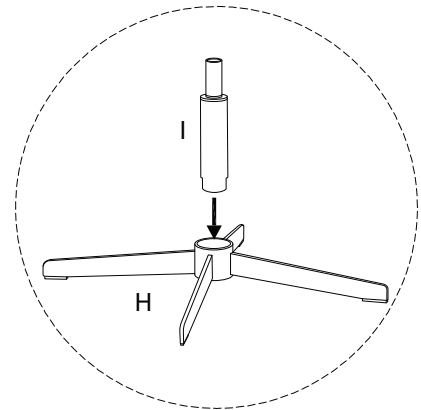
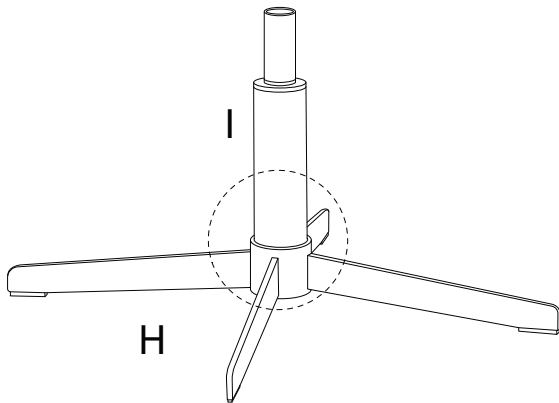
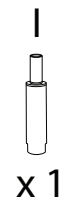
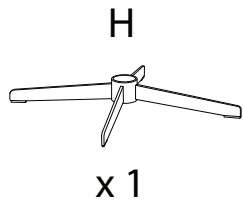
2



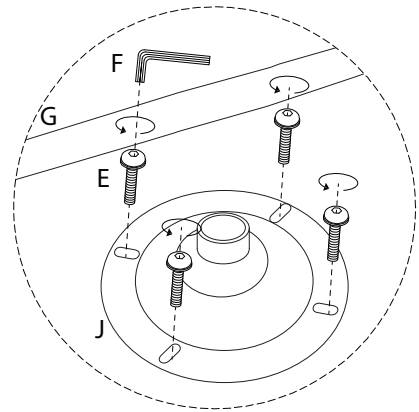
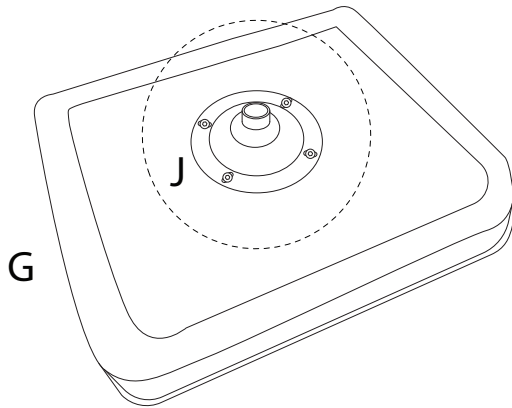
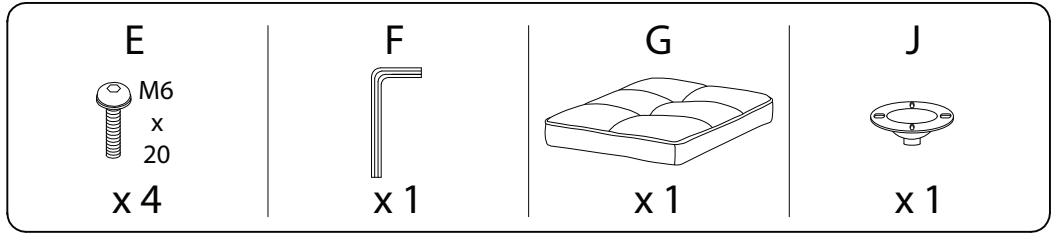
3



4



5



6

