



ASSEMBLY INSTRUCTIONS

UltraHD Wall Cabinet (Model No. 20149B)

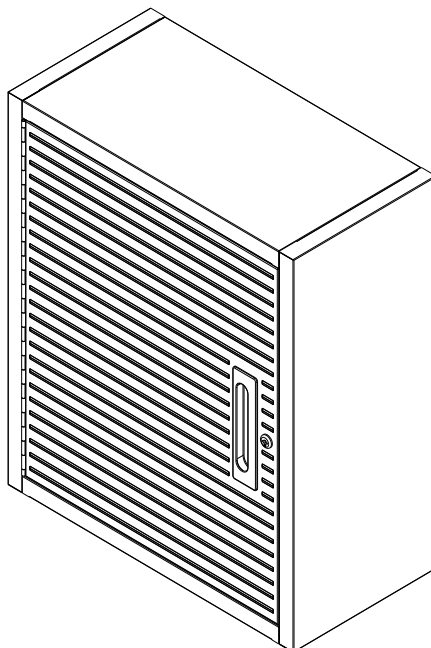
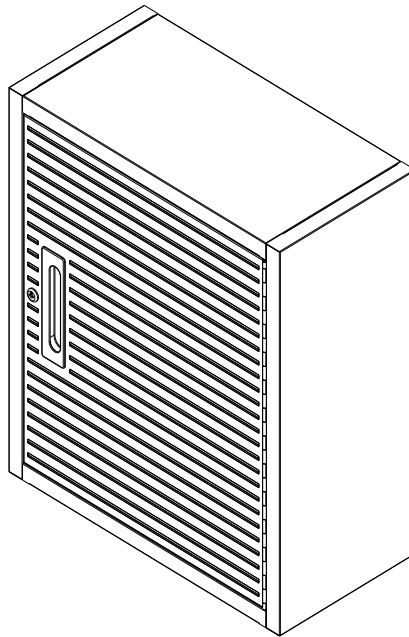
(24in. W X 12in. D X 28in. H)

(60.96cm W X 30.48cm D X 71.12cm H)

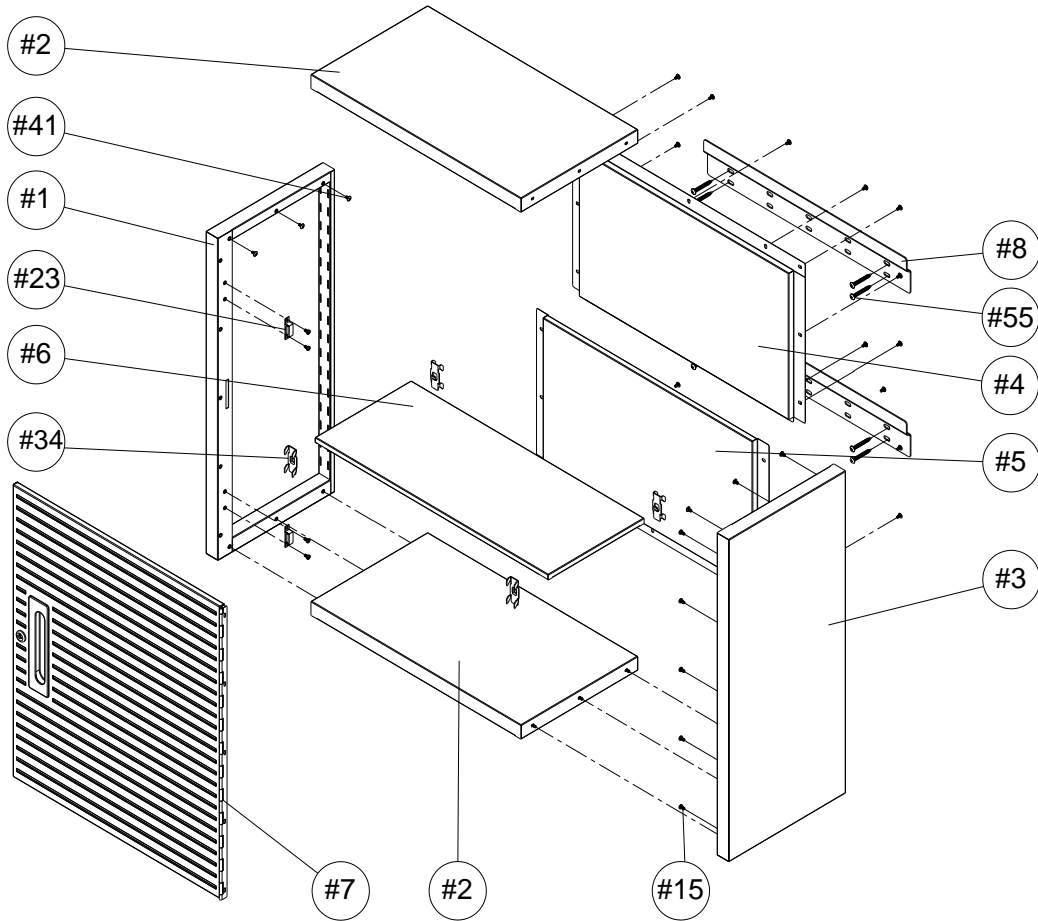
ULTRAGUARD™

FINGERPRINT RESISTANT SURFACES
AND INCREASED DURABILITY

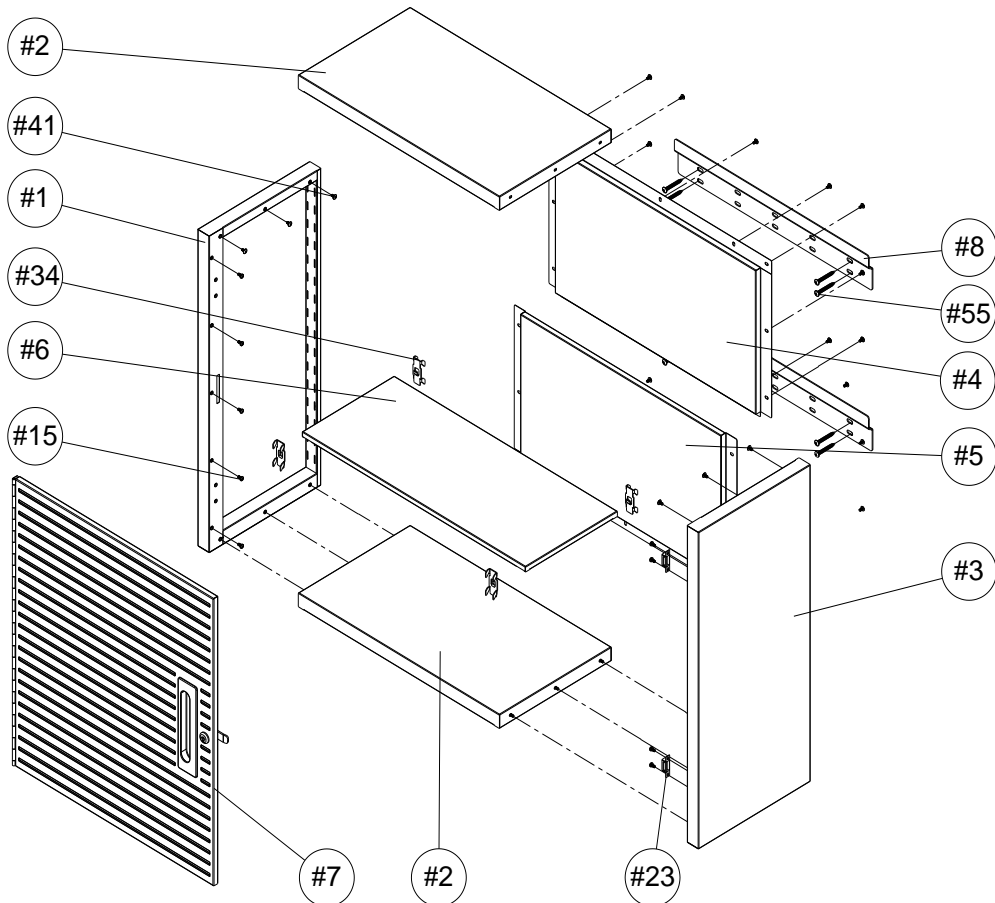
Reference page 9 for special care and
maintenance of stainless steel



For Door Handle at LEFT Side

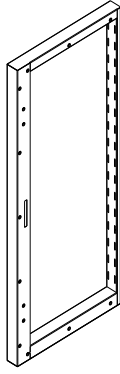


For Door Handle at RIGHT Side

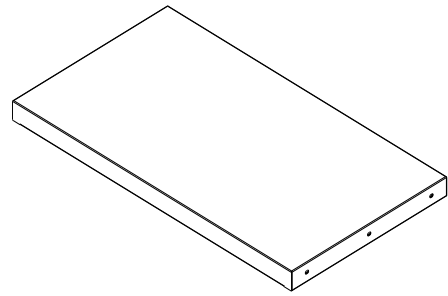


PARTS LIST (pg 2 of 9)

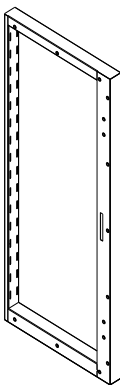
Please check the parts carefully according to the parts list. If you are missing any parts, please contact our customer service department (please refer to page 9 of 9).



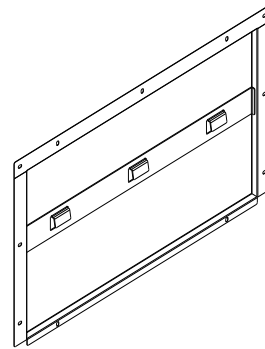
(#1) LEFT PANEL x 1 PC



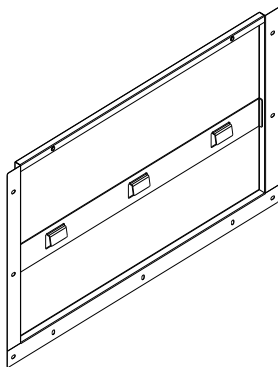
(#2) TOP / BOTTOM PANEL (Both panels are same) x 2 PCS



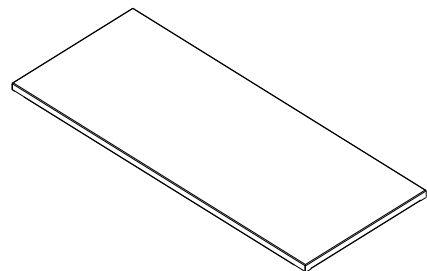
(#3) RIGHT PANEL x 1 PC



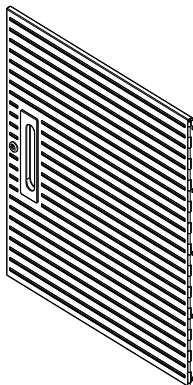
(#4) UPPER BACK PANEL x 1 PC



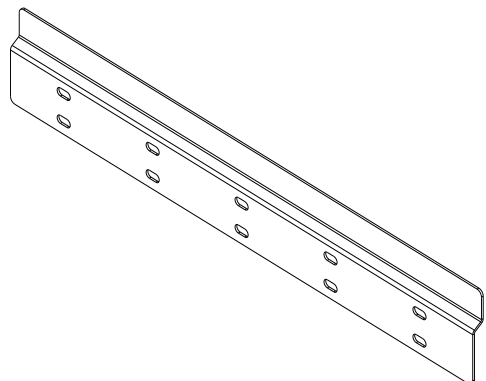
(#5) BOTTOM BACK PANEL x 1 PC



(#6) MIDDLE SHELF x 1 PC



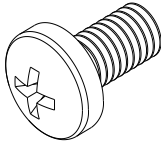
(#7) LEFT / RIGHT DOOR x 1 PC



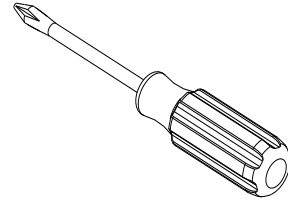
(#8) WALL-HANGING BRACKET x 2 PCS

PARTS LIST (pg 3 of 9)

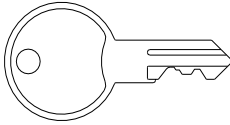
Please check the parts carefully according to the parts list. If you are missing any parts, please contact our customer service department (please refer to page 9 of 9).



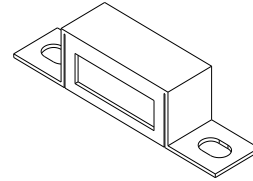
(#15) SCREW B (M4 x 8L) x 9 PCS



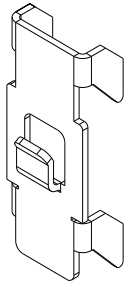
(#21-A) SCREW DRIVER x 1 PC



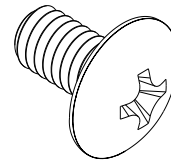
(#22) KEY x 2 PCS



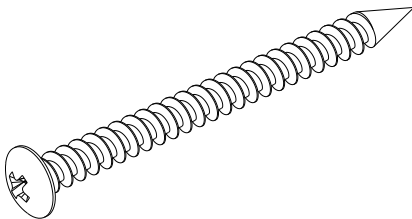
(#23) MAGNET x 2 PC



(#34) HOOK x 4 PCS



(#41) SCREW F (M4 x 8L) x 32 PCS

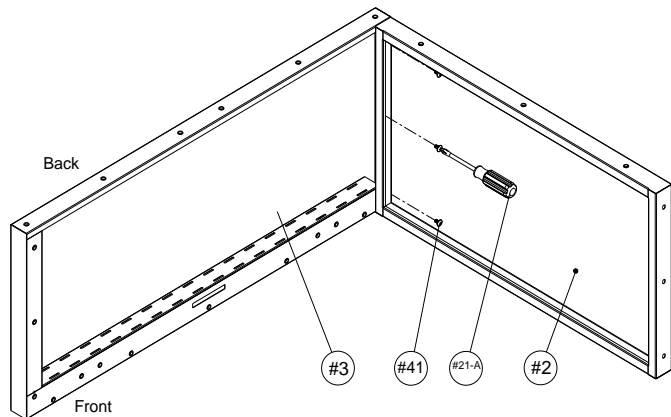


(#55) SCREW M (M6 x 50L) x 8 PCS

ASSEMBLY INSTRUCTIONS (pg 4 of 9)

UltraHD Wall Cabinet (Model No. 20209B)

TIP: A magnetic screwdriver is included for your convenience. If a power screwdriver is used, keep on a low torque setting.

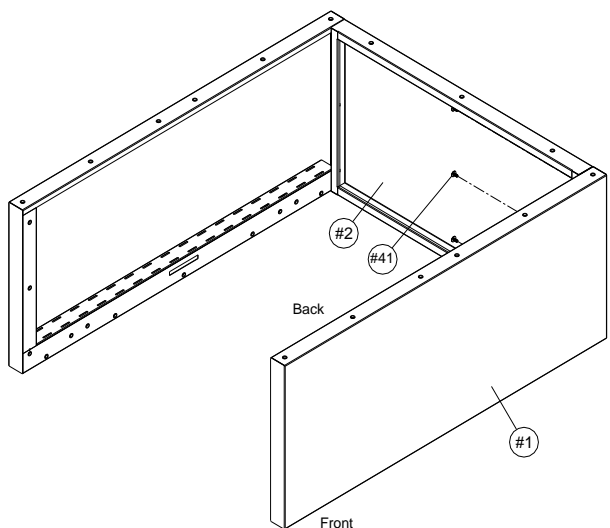


Step 1: Install the Right Panel (#3) onto the Top Panel (#2).

- a. Attach the Right Panel (#3) to the Top Panel (#2) as the left picture shows. Line up screw holes and tighten them using Screw Driver (#21-A) and Screw F (#41).

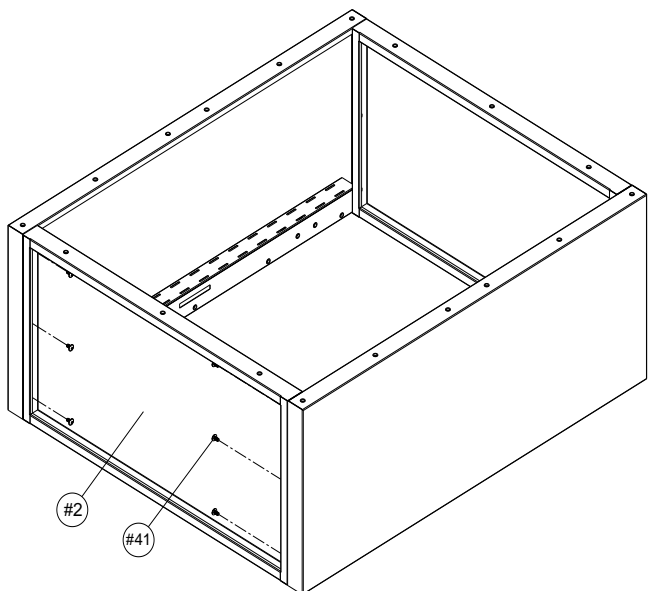
Install the Left Panel (#1) onto the Top Panel (#2) the same way.

- b. Attach the Left Panel (#1) to the Top Panel (#2) as the left picture shows. Line up screw holes and tighten them using Screw Driver (#21-A) and Screw F (#41).



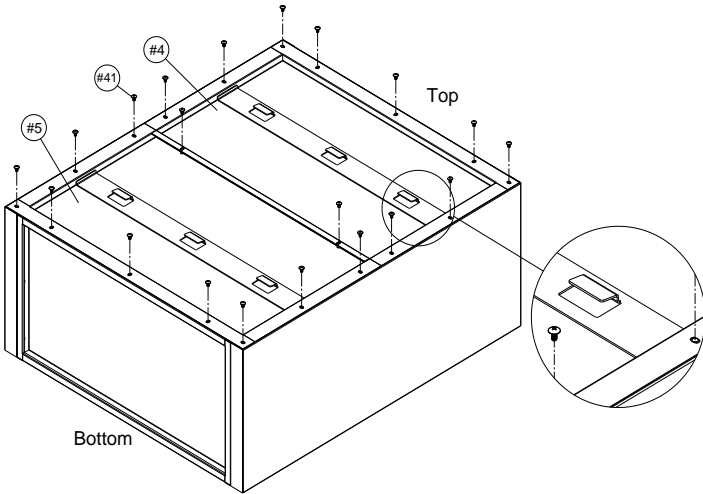
Step 2: Install Bottom Panel (#2).

Attach Bottom Panel (#2) between the Left Panel (#1) and Right Panel (#3) as the left side picture shows. Line up screw holes and tighten them using Screw Driver (#21-A) and Screw F (#41).



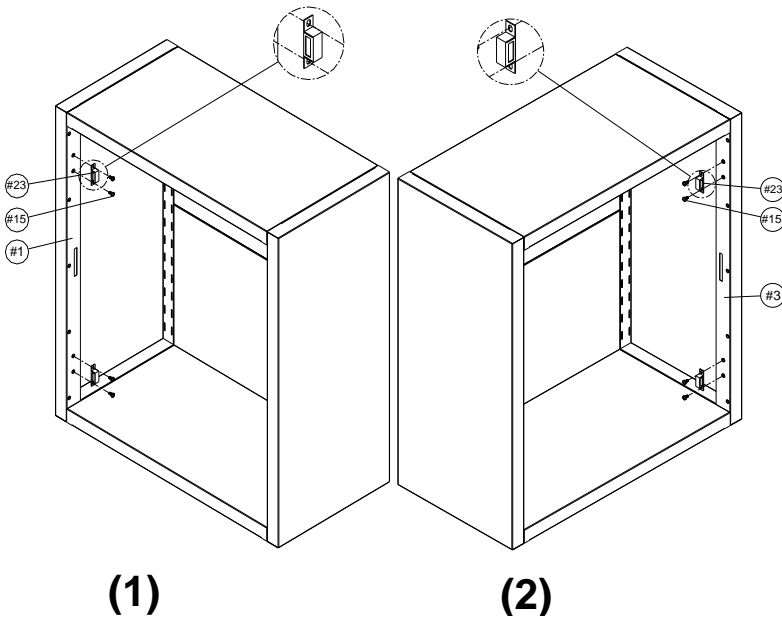
ASSEMBLY INSTRUCTIONS (pg 5 of 9)

UltraHD Wall Cabinet (Model No. 20209B)



Step 3: Install the Bottom Back Panel (#5) and Upper Back Panel (#4).

First place the Bottom Back Panel (#5) onto the Left Panel (#1), Right Panel (#3) and Bottom Panel (#2) as the left picture shows. Now place the Upper Back Panel (#4) onto the Left Panel (#1), Right Panel (#3) and Top Panel (#2). Line up screw holes and tighten them using Screw Driver (#21-A) and Screw F (#41).

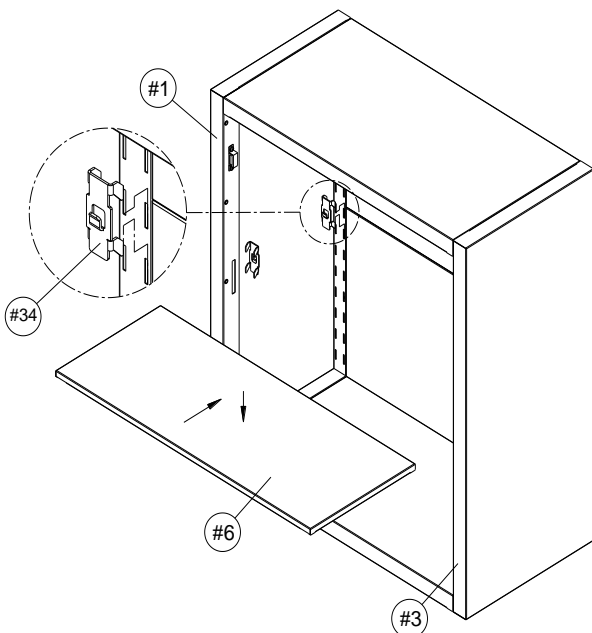


Step 4: Fasten the Magnet (#23).

Note: Decide the door opening direction.

Upright the unit like left picture shows (1) if you decide to have door opening at left side. Fasten Magnet (#23) to the Left Panel (#1) using Screw Driver (#21-A) and Screw B (#15).

Upright the unit like left picture shows (2) if you decide to have door opening at right side. Fasten Magnet (#23) to the Right Panel (#3) using Screw Driver (#21-A) and Screw B (#15).



Step 5: Install the Middle shelf (#6).

a. Decide the height for the Middle Shelf (#6), place the Hooks (#34) into the hook slots and push down.

Note: The Middle Shelf (#6) needs the 4 hooks at each corner for support. When placing the hooks, make sure they are at the same height.

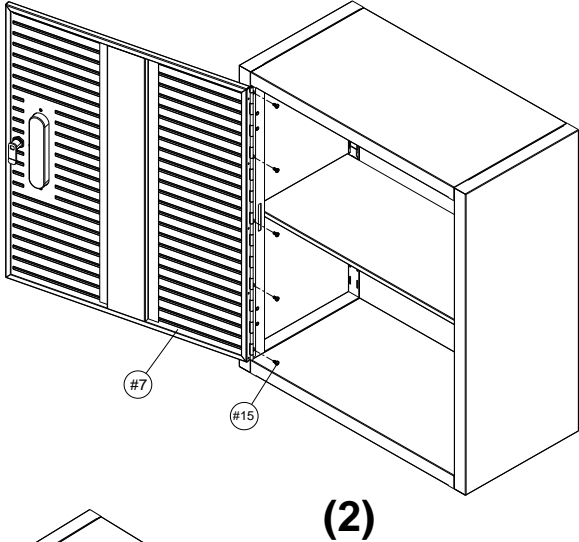
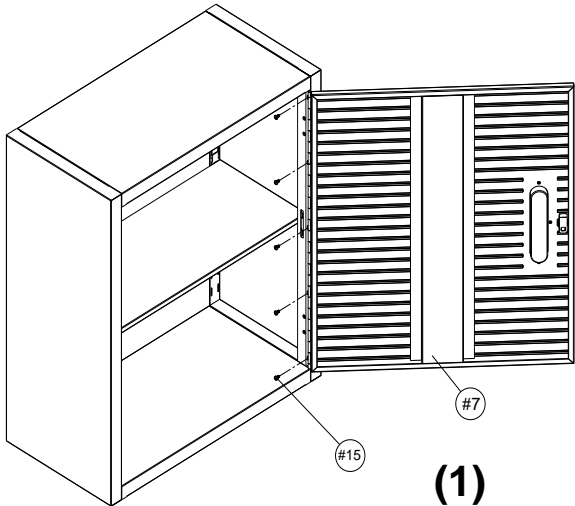
b. Place the Middle Shelf (#6) into the cabinet and push down onto the Hooks (#34).

ASSEMBLY INSTRUCTIONS (pg 6 of 9)

UltraHD Wall Cabinet (Model No. 20209B)

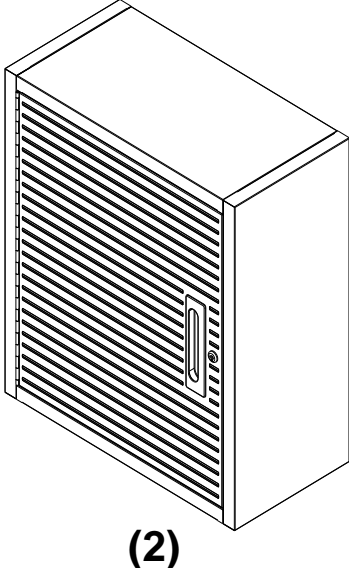
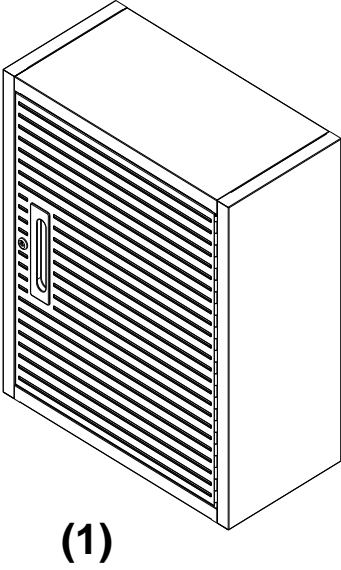
Step 6: Install the Door (#7).

Attach the Door (#7) to the unit. Line up screw holes and tighten them using Screw Driver (#21-A) and Screw B (#15).

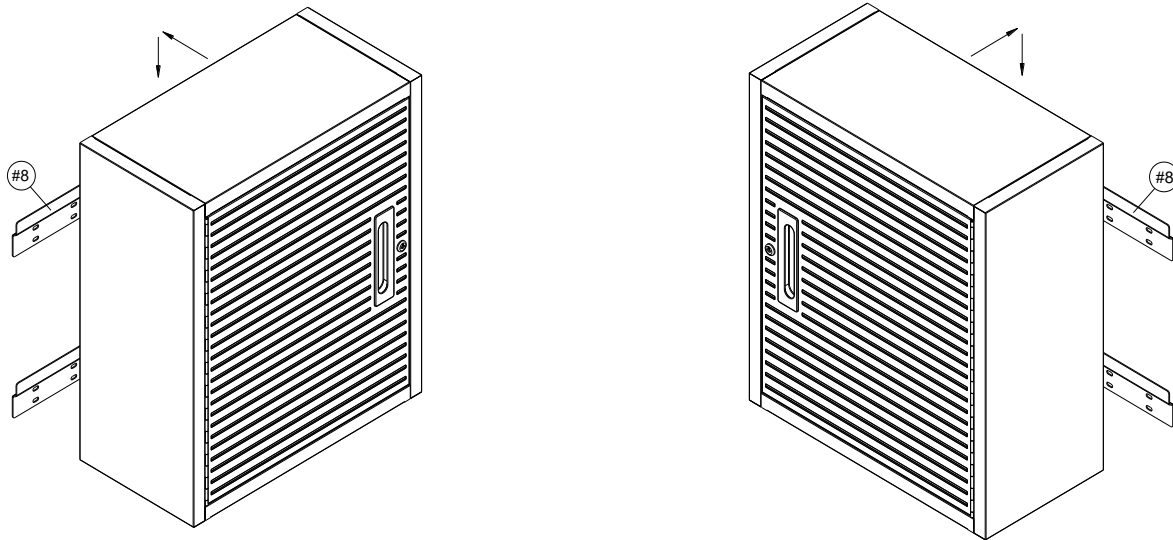


Step 7: Complete Assembled Cabinet.

- a. Left Side Door (1)
- b. Right Side Door (2)



ASSEMBLY INSTRUCTIONS (pg 7 of 9)
UltraHD Wall Cabinet (Model No. 20209B)

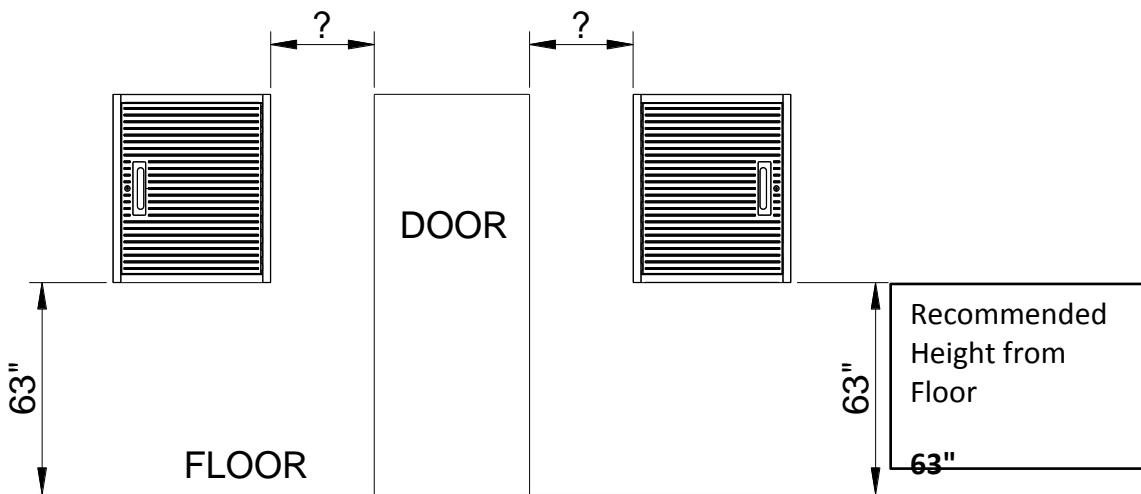


Use the Installation Guide on pages 7 and 8 to secure the two Wall-Hanging Brackets (#8) to the wall. Lift the wall cabinet up and hook its tongues (located on the back panels) over the Wall-Hanging Brackets. Assure all tongues hook securely over both Wall-Hanging Brackets. Please refer to the pictures on pages 8 and 9.

**Installation Guide for the WALL HANGING BRACKET
of the UltraHD Wall Cabinet (Model No. 20209B)**

A. Decide where to hang the Wall Cabinet.

Note: We recommend that the cabinet be hung such that the bottom of the cabinet rests approx. 63" above the floor.



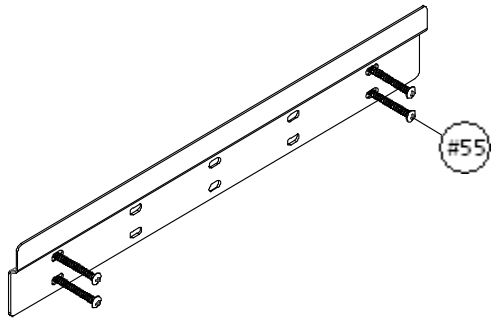
B. Start from one side of desired location to find the 1st stud location for installing the Wall-Hanging Brackets (#8). Use a stud finder to locate the stud and use a pencil to mark the center of the stud.

C. Locate the 2nd stud 16" from either side of the 1st stud location.

Note: The distance between two studs is normally 16" (center to center).

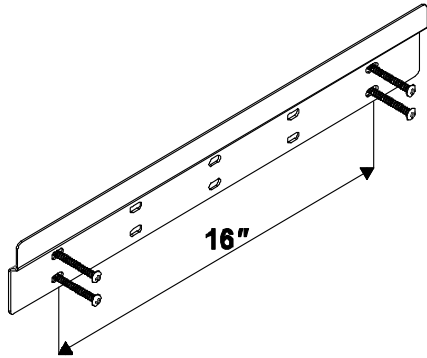
ASSEMBLY INSTRUCTIONS (pg 8 of 9)

UltraHD Wall Cabinet (Model No. 20209B)



***Drill a small hole (1/8" diameter) at both stud locations to assure that the hanging anchor is secured.**

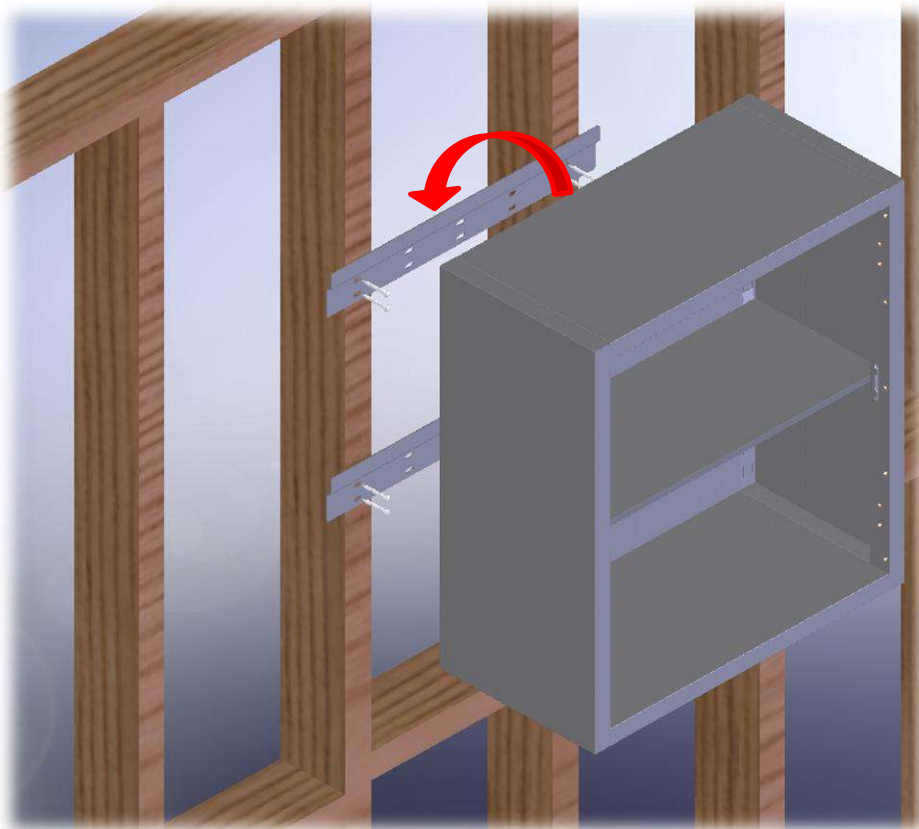
D. To find the rest of the screw holes to fasten the Wall-Hanging Brackets, please refer to the accompanying shop drawing. Place the shop drawing on the wall and align the holes in the drawing with those already drilled in the wall.



Note: The shop drawing shows the actual size of the Wall Cabinet (28" by 24") and indicates the locations of the holes on the Wall-Hanging Brackets. You may also want to temporarily tape the drawing to the wall for marking the locations of the screws. Use a small nail to penetrate the shop drawing and mark the eight points to fasten the Wall-Hanging Bracket. After marking locations, pre-drill a small hole (1/8" diameter) at each of the eight hole locations.

E. Use Screw M (#55) to fasten Wall-Hanging Brackets (#8). Hang the unit on the Wall-Hanging Brackets (#8) as following pictures show.

Hang Wall Cabinet Wall-Hanging Brackets

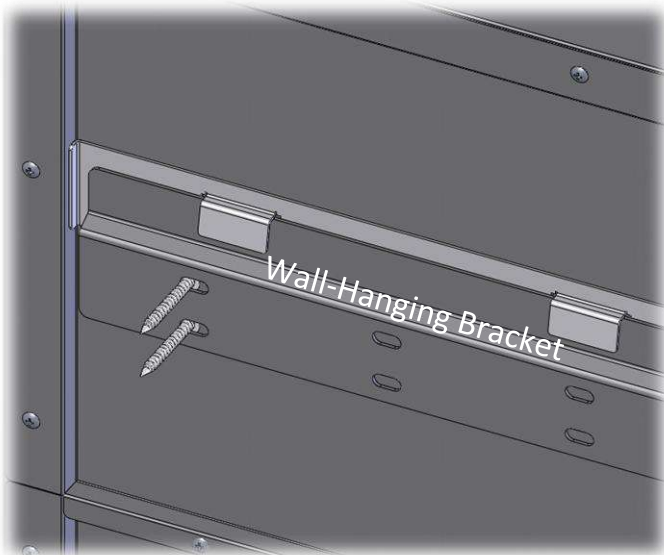


ASSEMBLY INSTRUCTIONS (pg 9 of 9)

UltraHD Wall Cabinet (Model No. 20209B)



Back Panel View of Wall Cabinet shows 6 flat hooks that allow the Cabinet to hang on two Wallhanging Brackets.



Close-up view of how the Wall-Hanging Brackets fit with the 6 flat hooks on the back of the cabinet.

Stainless Steel Maintenance:

These parts have an UltraGuard™ fingerprint resistant finish. Do not use traditional stainless steel cleaners on this unit. Lightly wipe off once a month with clean warm water and a soft cloth (preferably a micro fiber cloth). This is the safest formula to prevent new stains from appearing over time and manage unwanted fingerprints or grease marks. Remember to always wipe in the direction of the surface grain (NEVER ACROSS) and always use a lint-free cloth. Once the surface is clean, thoroughly wipe dry with a soft absorbent cloth.

*If you are missing any parts, have any questions or need additional assistance with assembly, please contact our **bilingual (English & Spanish) Customer Service Department** at:

Seville Classics Inc.

19401 South Harborgate Way
Torrance, CA 90501
USA

Telephone: (800) 323-5565 within USA

Hours: 9:00am - 4:30pm (Pacific Standard Time)

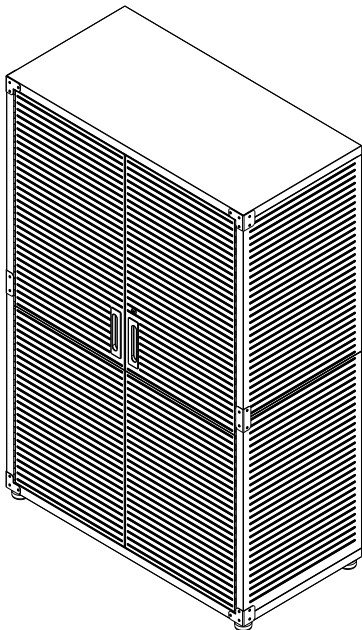
Fax: (310) 533-3899

E-mail: support@sevilleclassics.com

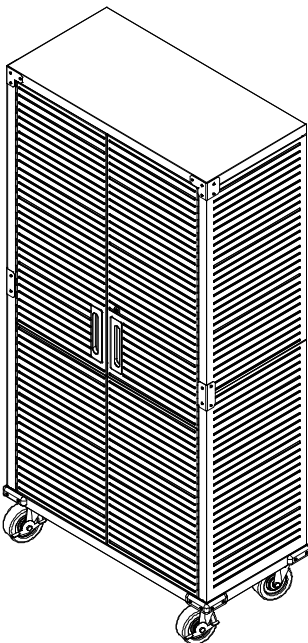
Website & Online Store: www.sevilleclassics.com

*****Please visit our website or call and inquire about our additional UltraHD Line*****

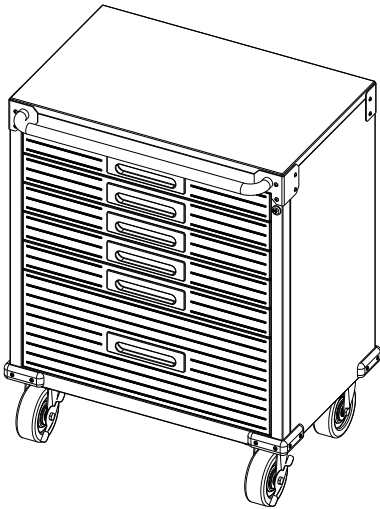
UltraHD Line



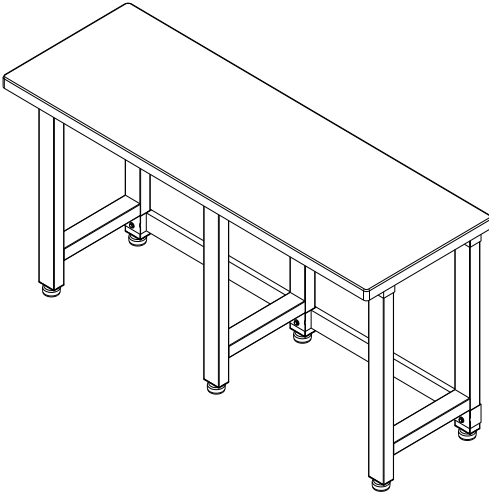
Model No. 16238
UltraHD Mega Storage Cabinet



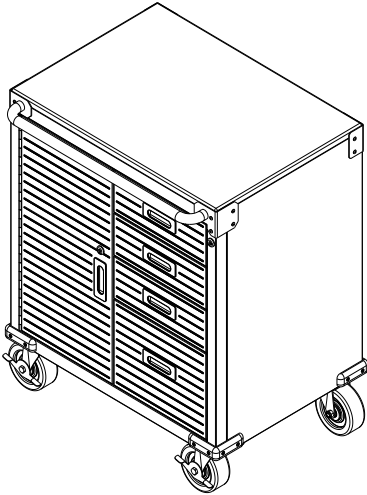
Model No. 16236
UltraHD Storage Cabinet



Model No. 20204
UltraHD 6-Drawer Rolling Cabinet

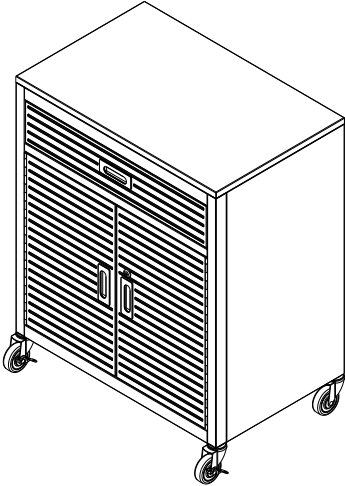


Model No. 20206
UltraHD Workbench

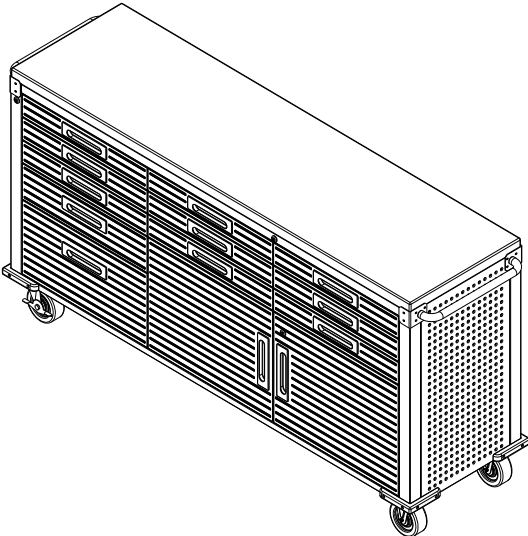


Model No. 20205
UltraHD Rolling Cabinet

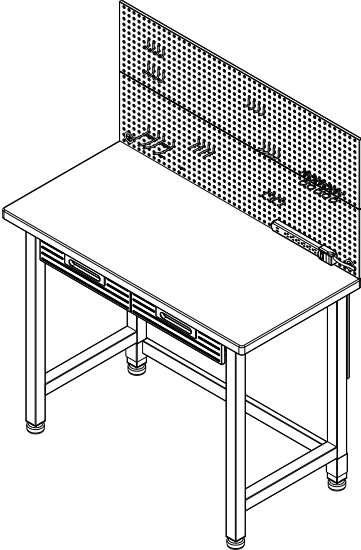
UltraHD Line



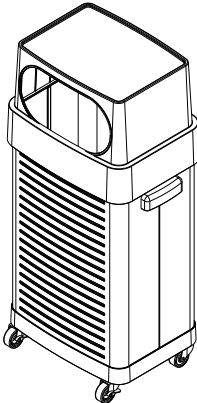
Model No. 20238
UltraHD Rolling Cabinet



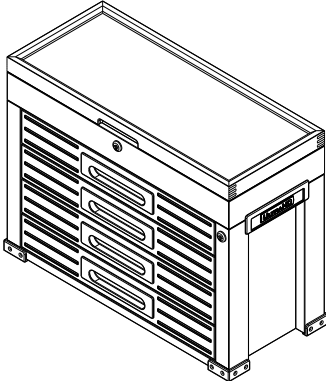
Model No. 20262
UltraHD Rolling Workbench



Model No. 20267
UltraHD Stainless Steel Workcenter



Model No. 20215
UltraHD Trash Bin



Model No. 20255
UltraHD Tool Box