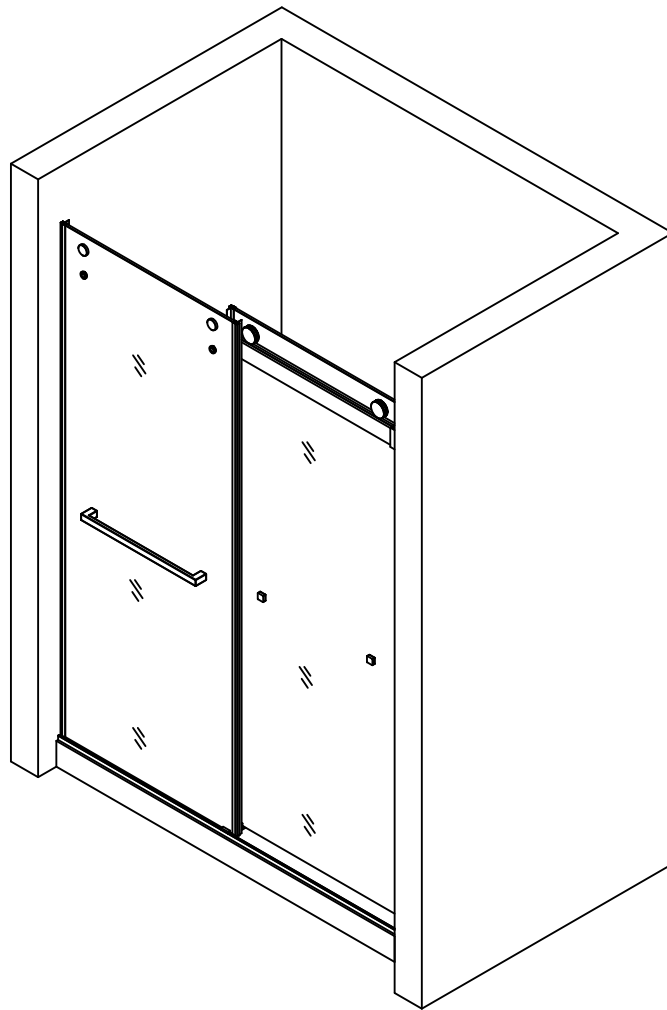


Shower Door Installation Instructions

DS13



Plz do not just return when meeting difficulties in installation, just contact your seller for help.

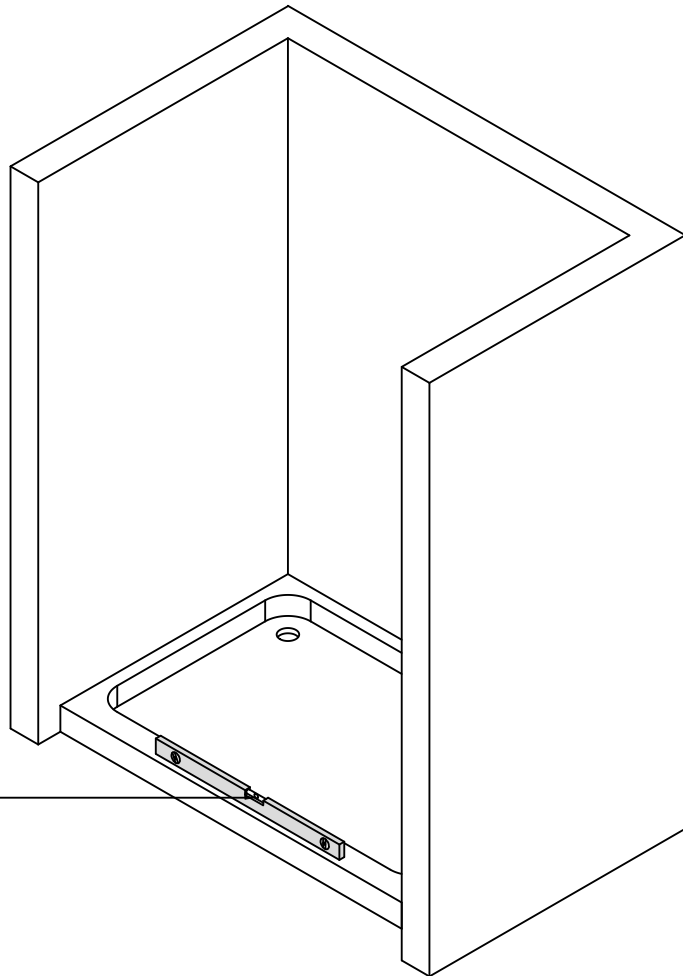
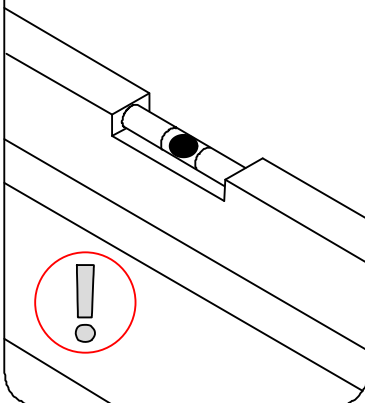
Model Specific Preparation



REQUIRED:

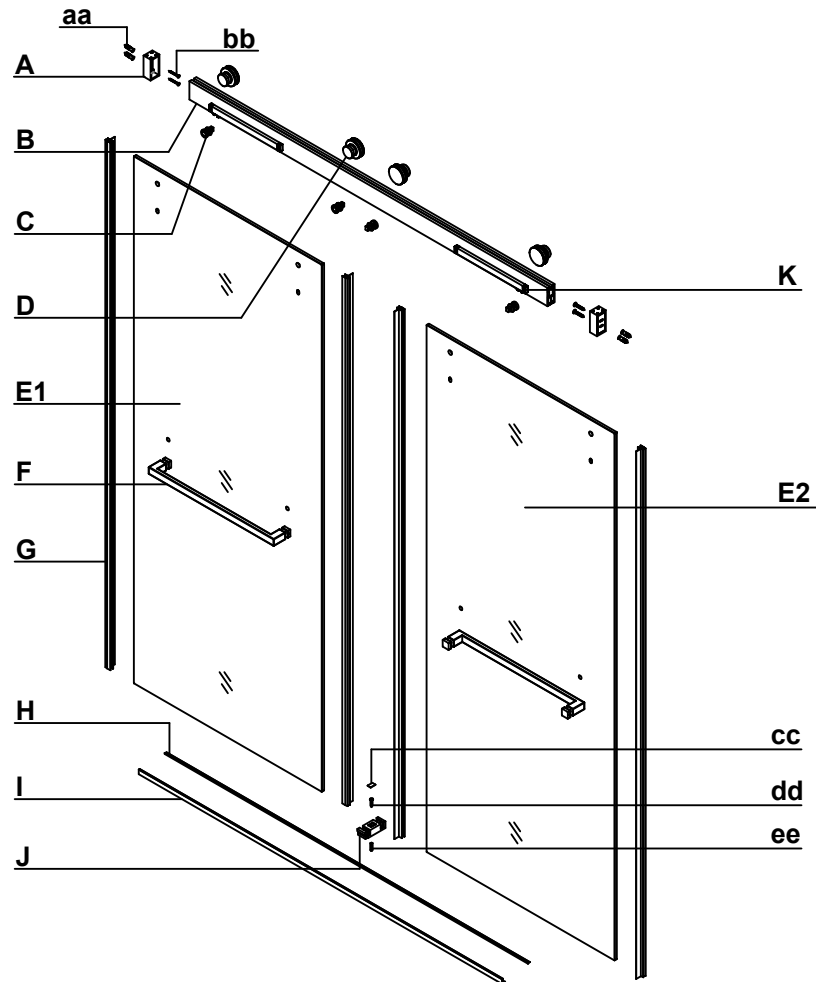
Verify that the threshold is level by using a straight edge or a level tool. Adjust the threshold as necessary to ensure it is perfectly horizontal

The threshold must be horizontal



SHOWER DOOR

PACKAGE CONTENT



PACKAGE CONTENT

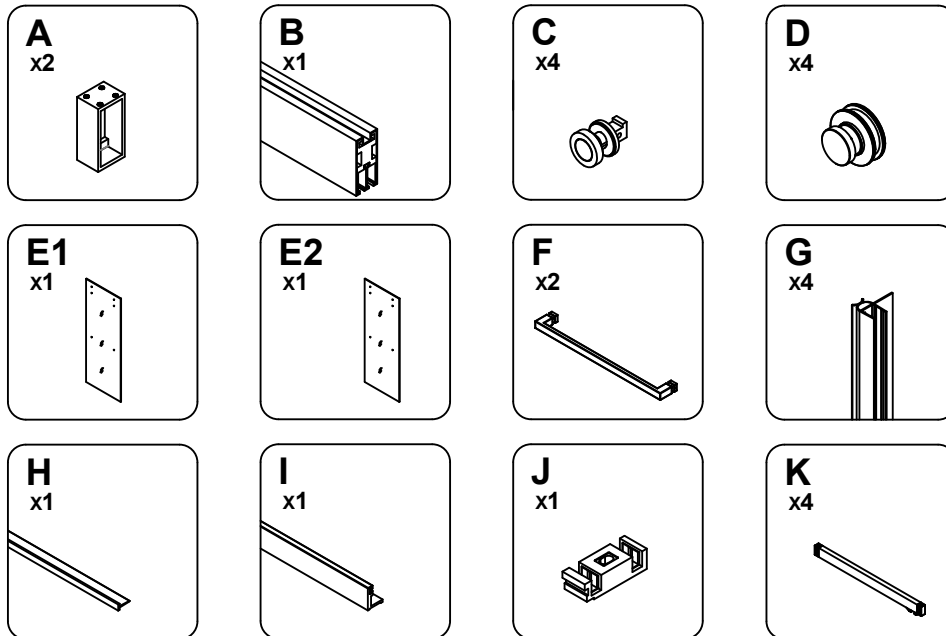
PART#	DESCRIPTION	QTY	PART#	DESCRIPTION	QTY
A	Rail Bracket	2	G	seal strip	4
B	Guide Rail	1	H	Waterproof Seal Strip	1
C	Anti jumping knob	4	I	Splash Guard	1
D	Roller	4	J	Bottom Guide Block	1
E1	Outside door panel	1	K	Buffer	4
F	Towel bar	2	E2	Inside door panel	1

NOTE

Please inspect all parts for any missing items before installation!
If any part is missing, please contact us.

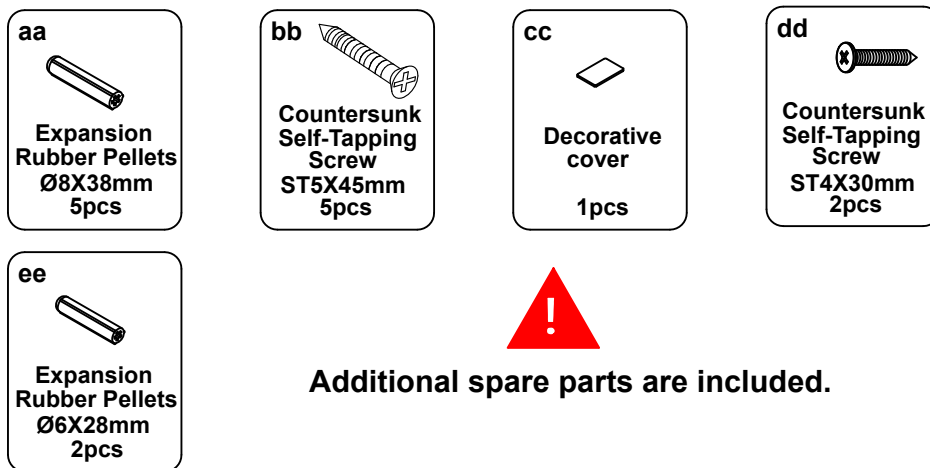
SHOWER DOOR

PACKAGE CONTENT



The bottom guide block (J) comes pre-installed with a decorative cover (cc) .

HARDWARE CONTENT



NOTE Inspect all parts for any missing items prior to installation!
Contact us if any parts are missing.

SHOWER DOOR

TOOLS REQUIRED

Drill Bits

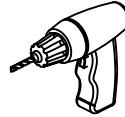


Ø1/4" & Ø5/16" (6 & 8mm) dia.
HSS

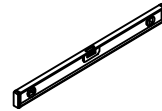
Screw Driver



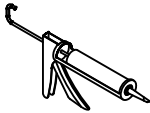
Drill



Level



Silicone



Measuring Tape



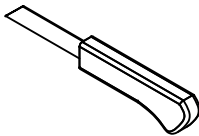
Soft Head Hammer



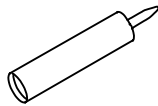
Pencil



Knife



Sealant



**Masonry Drill Bit For Tile
Ø6mm**



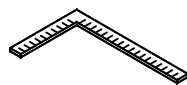
Safety Glasses



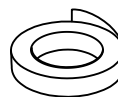
Gloves



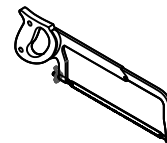
Carpenter's Squarer



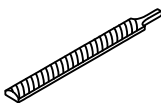
Masking or Painter's Tape



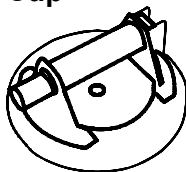
Hack Saw



Metal File



Glass suction Cup



SAFETY INFORMATION

CAUTION

Please carefully read the following important safety information before handling or installing this shower. There is a risk of serious injury while handling this product.

To minimize these risks, please note:

- Always wear safety glasses and gloves while handling.
- Always follow the installation instructions.
- Inspect the glass for damage before installation.
- Extreme caution should be taken while handling the glass during installation, as the tempered glass may shatter if it comes into contact with a hard surface.
- Do not cut or modify the tempered glass, as it will shatter if cut.
- Carefully remove the product from its packaging and keep the packaging until the installation is complete.
- Inspect all parts for damage or missing items. If there is any damage or missing parts prior to installation, please contact your seller for help.
- Cover the drain with tape to prevent the loss of small parts.
- The shower base and finished walls should be installed before beginning the shower door installation.
- During installation, protect the shower floor with a drop cloth to prevent damage.
- This product should be installed by two people who are familiar with construction requirements. Professional installation is recommended!
- Keep this installation manual for future reference.

NOTE: Two people should perform this installation.

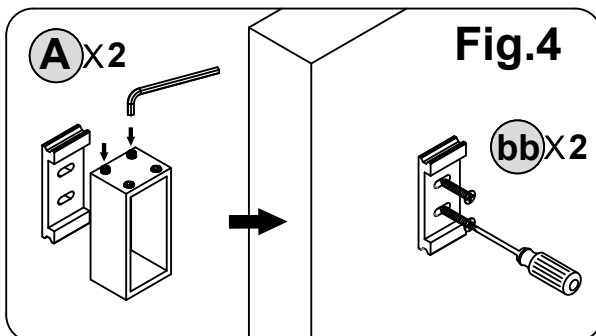
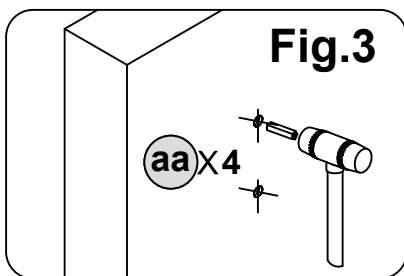
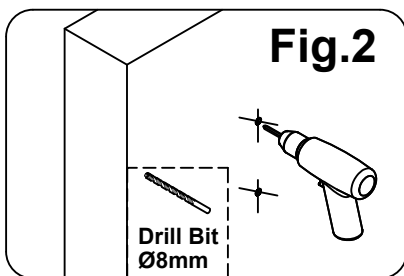
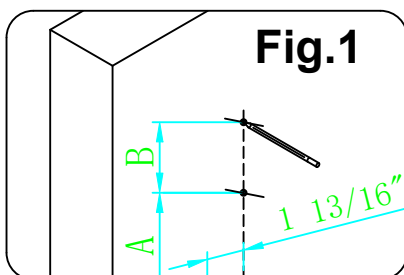


SHOWER DOOR

1 Install Rail Bracket(A)

NOTE

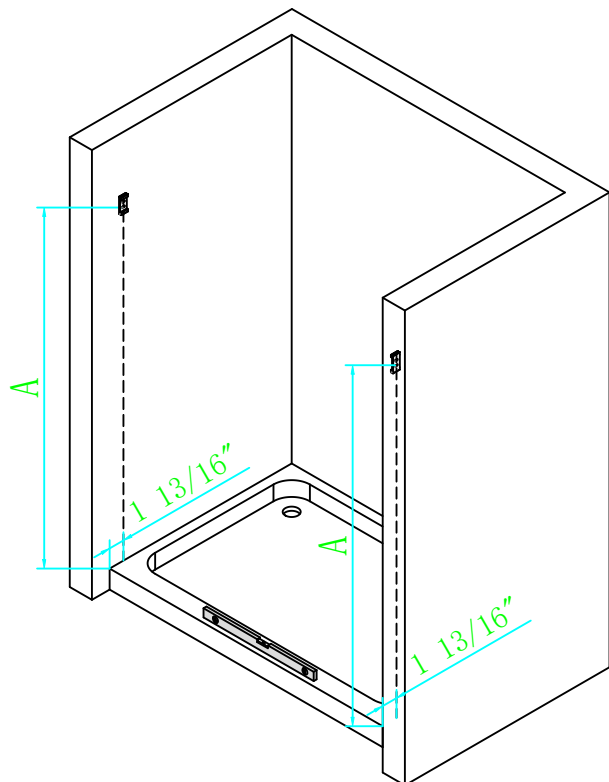
1. Measure $1\frac{13}{16}$ "(46 mm) from the edge of the wall at the specified height (Position A). Mark the spot with a pencil.
2. Drill an 8mm hole at the marked position using an electric drill.
3. Insert the wall anchor into the hole and gently tap it in place with a expansion rubber pellets $\text{Ø}8\times 38\text{mm}$ (aa).
4. Attach the left and right guide rail brackets to the wall using the provided $\text{ST}5\times 45\text{mm}$ countersunk self-tapping screws(bb).



Product Height	A	B
60"(1524mm)	55 $\frac{5}{16}$ "(1405mm)	13/16"(21mm)
66"(1676mm)	61 $\frac{19}{64}$ "(1557mm)	
72"(1828mm)	67 $\frac{9}{32}$ "(1709mm)	
75"(1905mm)	70 $\frac{5}{16}$ "(1786mm)	
76"(1930mm)	71 $\frac{19}{64}$ "(1811mm)	
78"(1981mm)	73 $\frac{5}{16}$ "(1862mm)	
79"(2006mm)	74 $\frac{19}{64}$ "(1887mm)	

*A=product height-4 $\frac{11}{16}$ "(119mm)

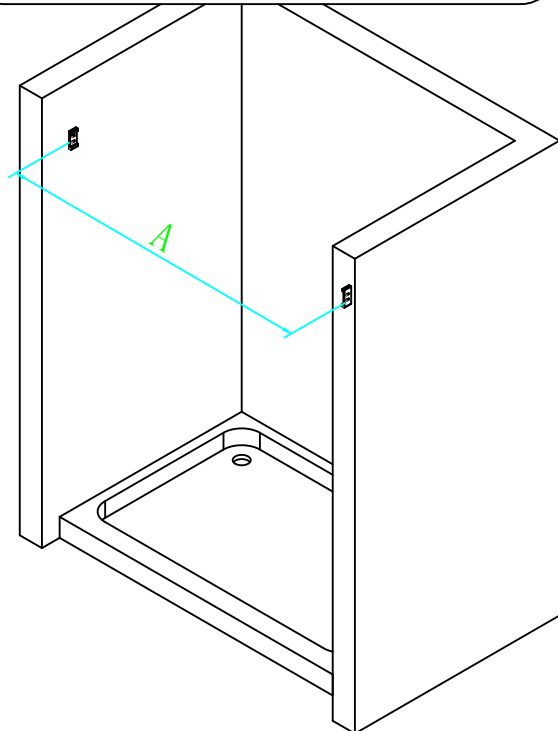
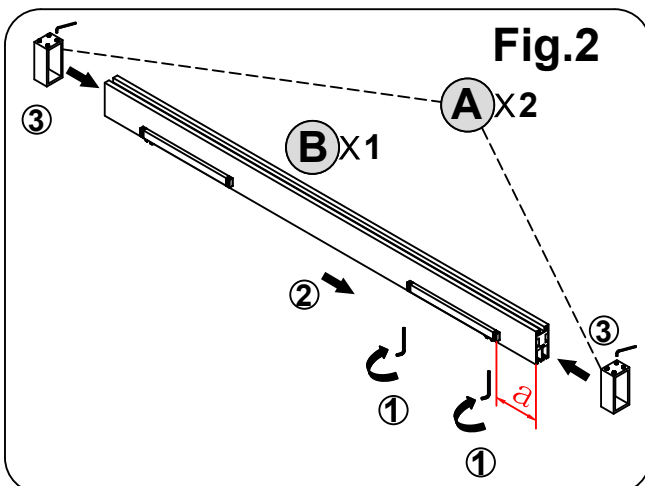
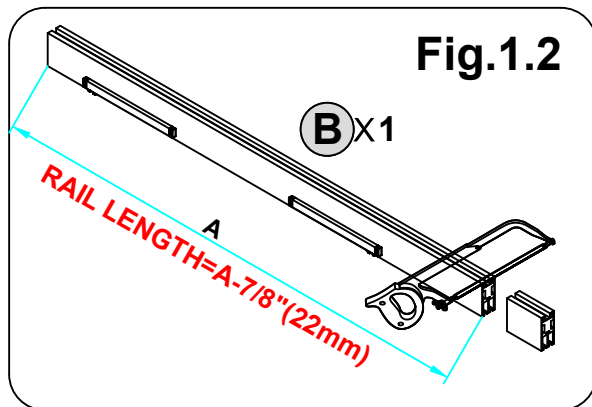
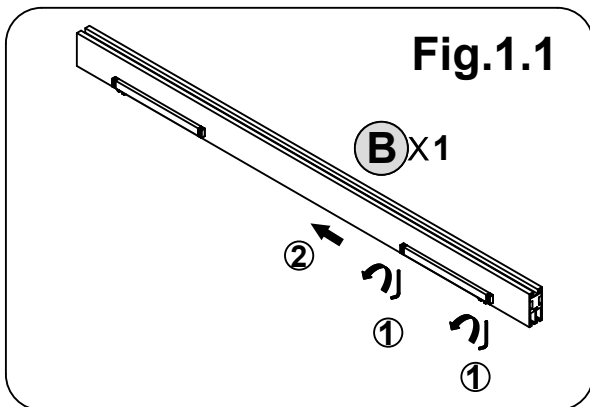
*Without the size, please contact the local dealer.



2 Guide Rail (B) Processing

NOTE

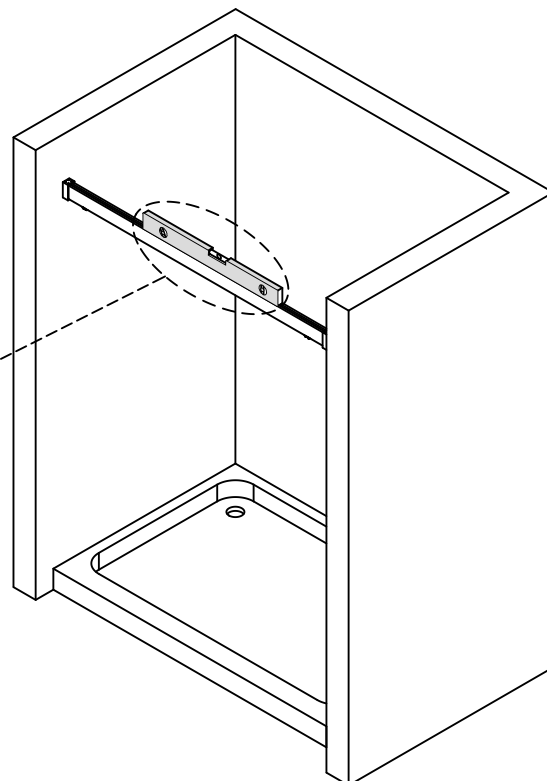
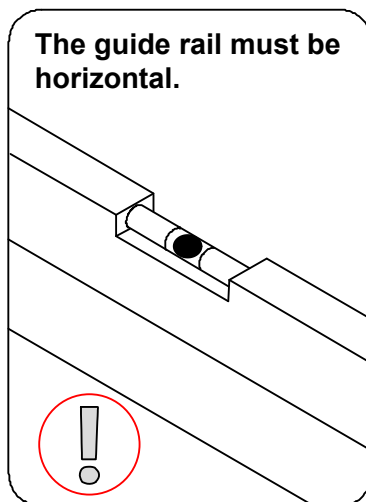
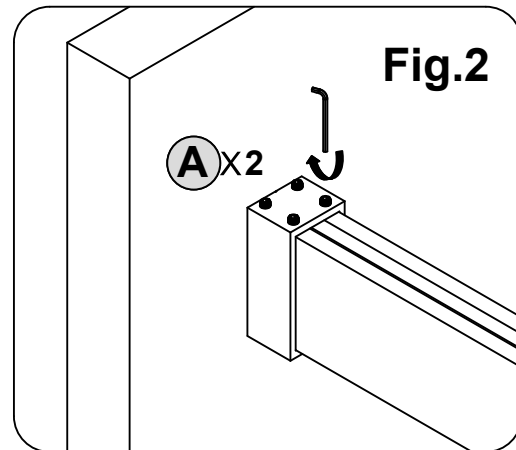
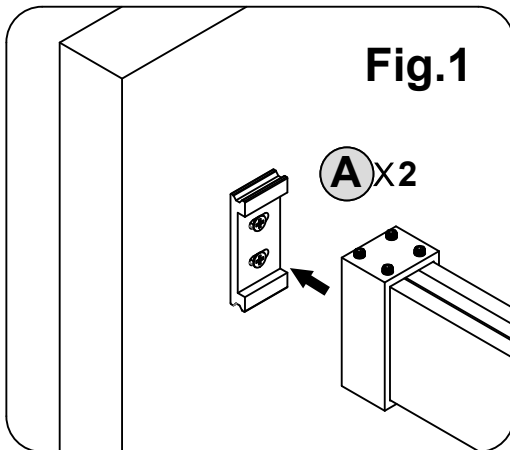
1. Measure on-site and check the size, then loosen the **buffer (K)** with an Allen wrench, move it into the **guide rail (B)**, and then cut off the excess part of the **guide rail (B)**.
2. First, move the **buffer (K)** outward along the **guide rail (B)** to the position where $a = 70.8\text{mm}$. Then, tighten the **buffer (K)** with an Allen wrench. Next, loosen the top screws on the **guide rail bracket (A)** with an Allen wrench, and then fit the **guide rail bracket (A)** onto the **guide rail (B)**.



3 Install The **Guide Rail (B)**

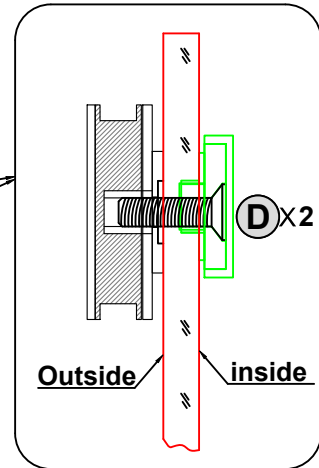
NOTE

1. Attach the left and right **rail brackets (A)** to the corresponding bracket seats on the wall.
2. Use the provided hex key wrench to tighten the top screws on both the **rail brackets (A)** and the **guide rail (B)**.

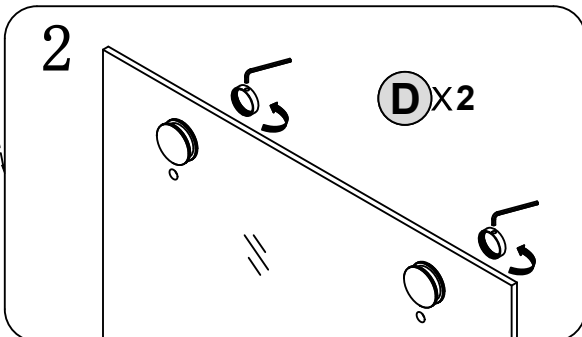
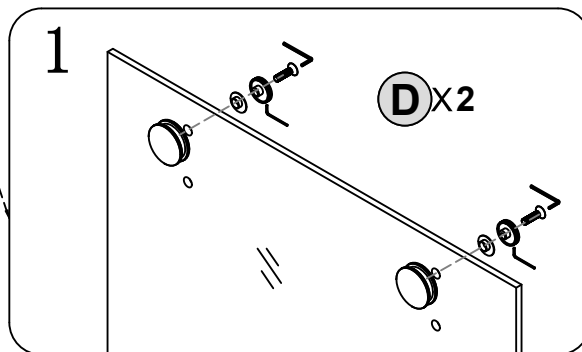


4 Mount The **Roller (D)** On The **Inside Door Panel (E2)**

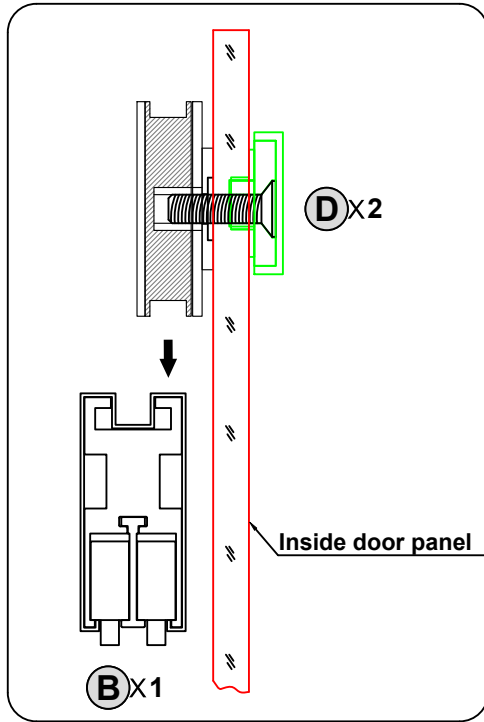
NOTE The roller faces outward



1. Press the rubber bushing and threaded sleeve into the hole in the **inside door panel (E2)**, and secure it using the provided countersunk machine screw to attach the **roller (D)**.
2. Tighten the **roller (D)** cap.

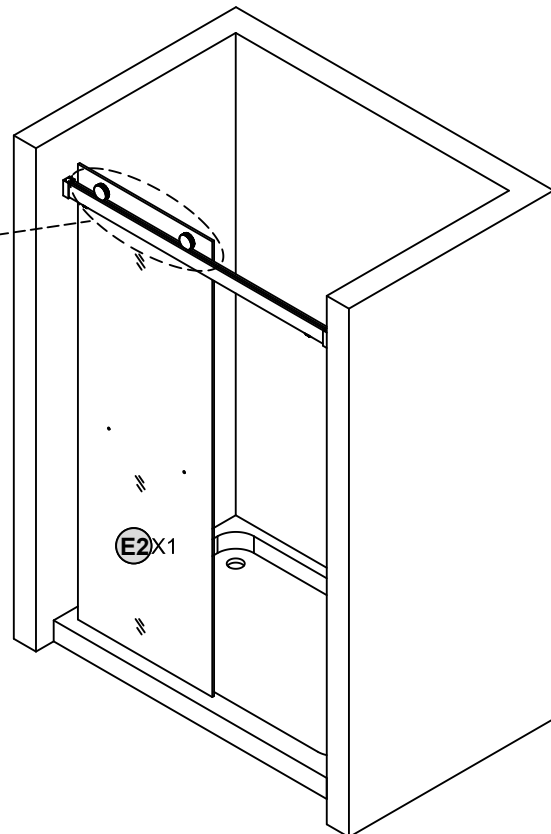
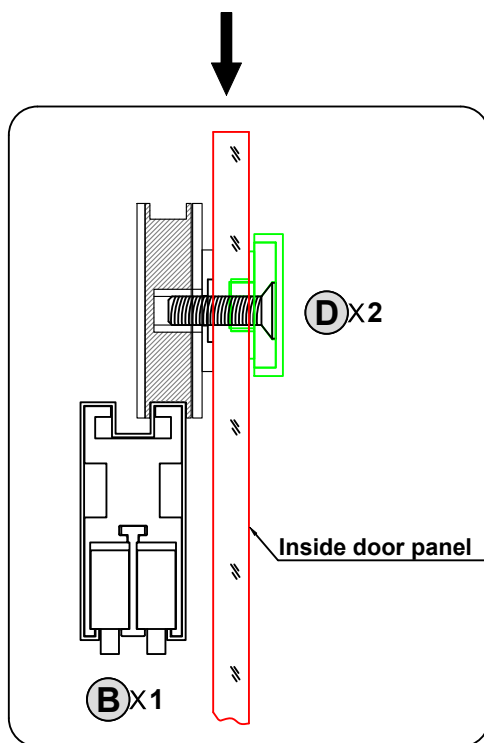


5 Install The **Inside Door Panel (E2)**



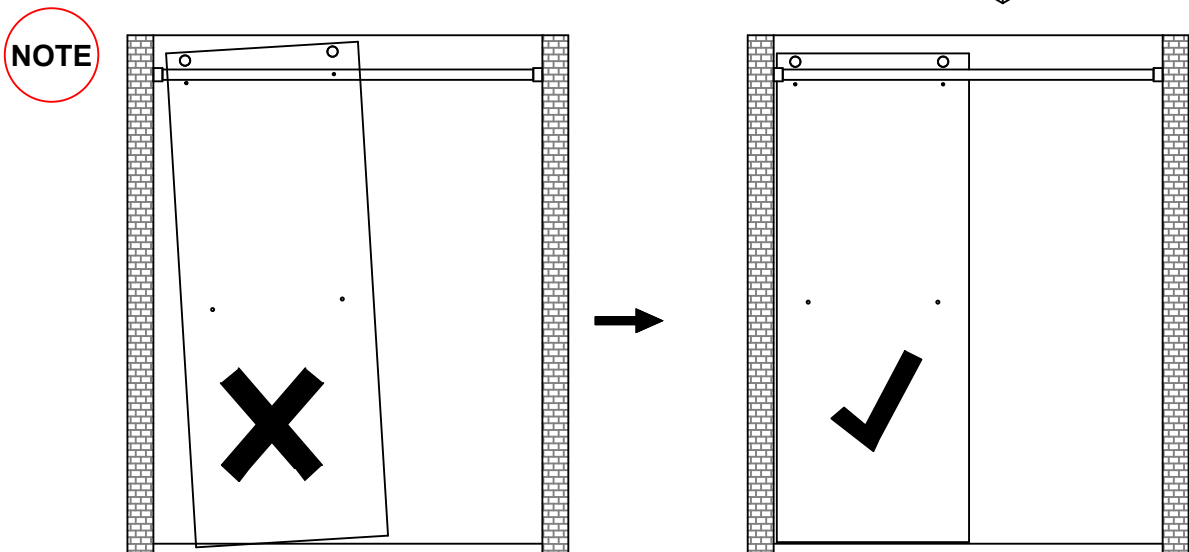
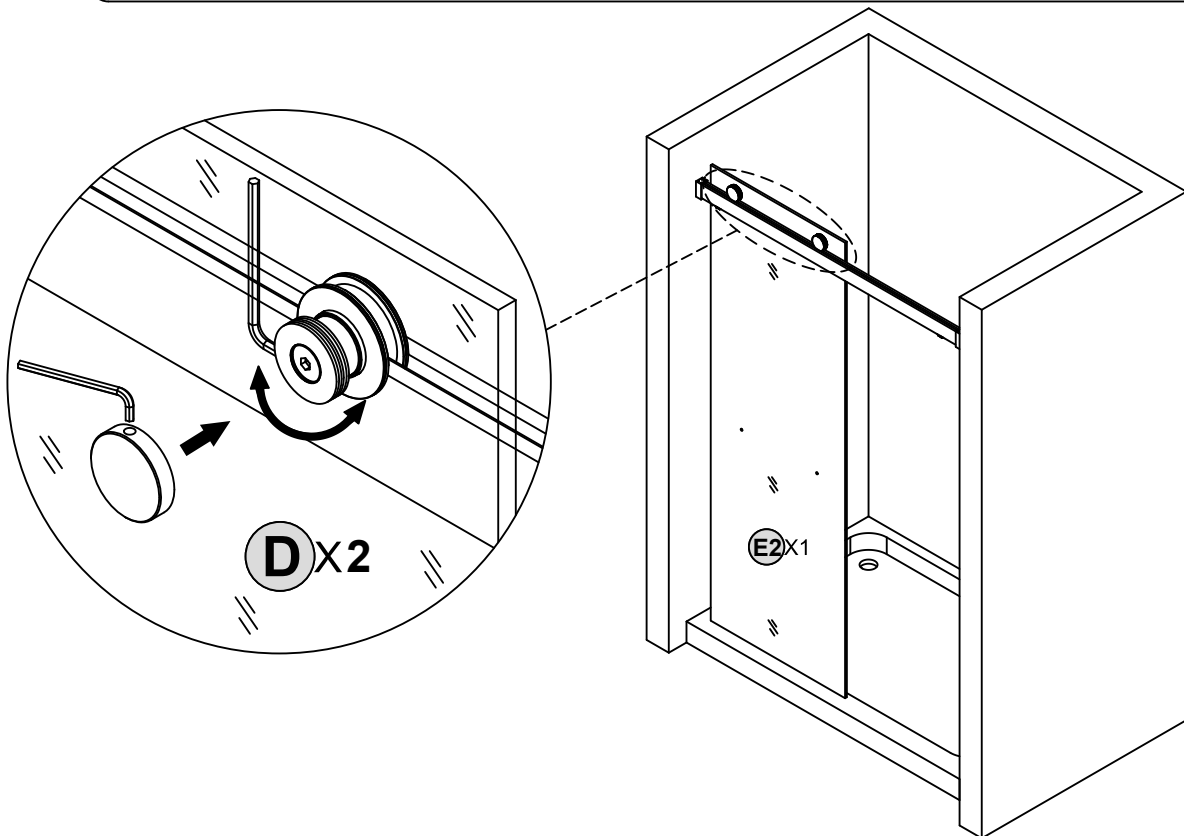
NOTE

Lift the **inside door panel (E2)** and carefully slide the **roller (D)** into the **guide rail (B)**, ensuring proper alignment



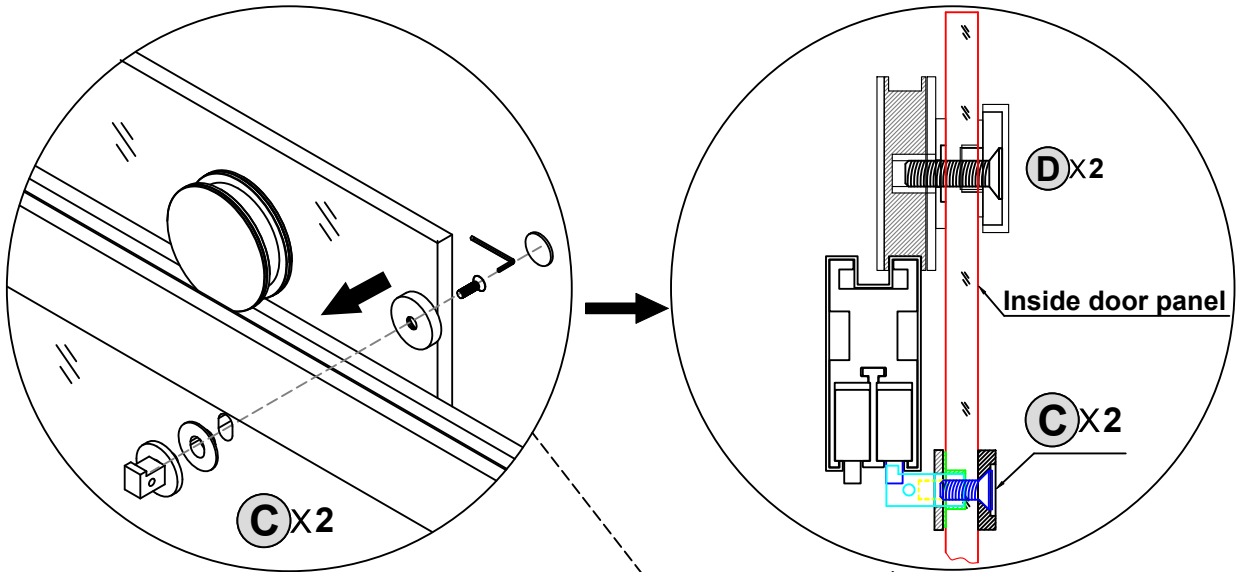
6 Adjust the height of the and the **inside door panel (E2)**

NOTE Ensure the **rollers (D)** are set to the proper height so that the **inside door panels (E2)** slide smoothly. Then, securely tighten the caps on the **rollers (D)**.

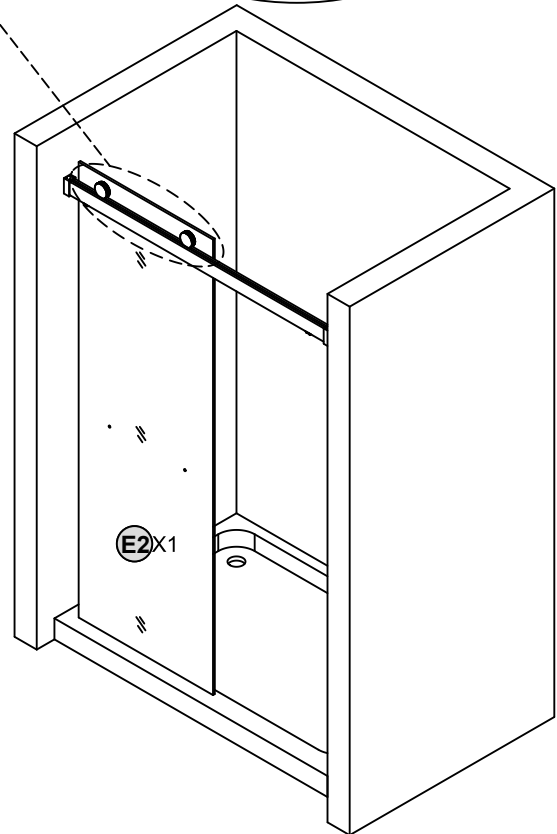
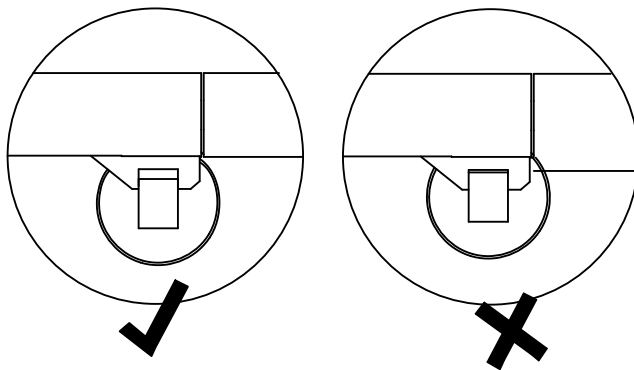


7 Install Anti jumping knob(C)

NOTE Install the anti jumping knob (C) on the inside door panel (E2).

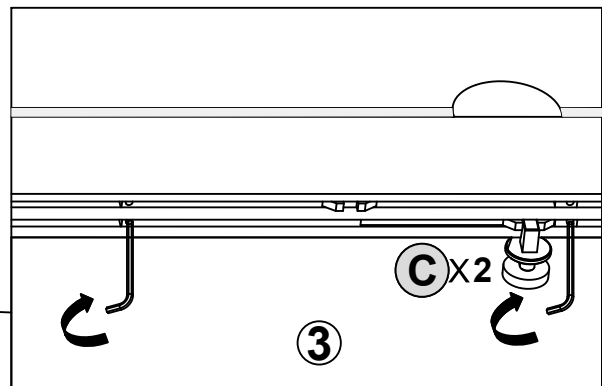
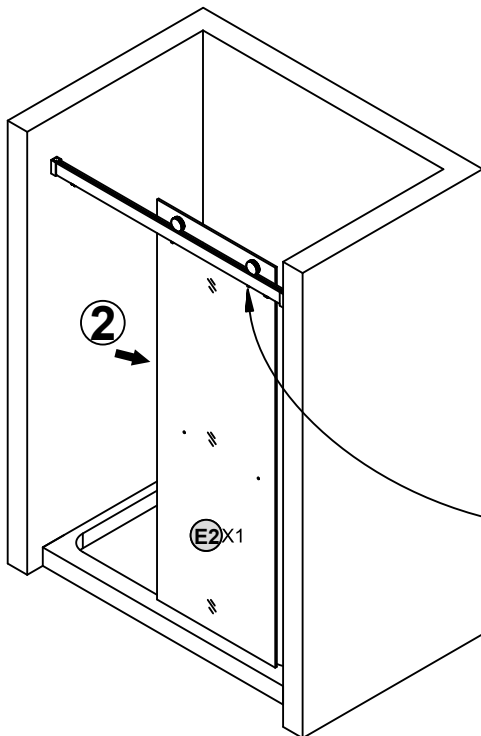
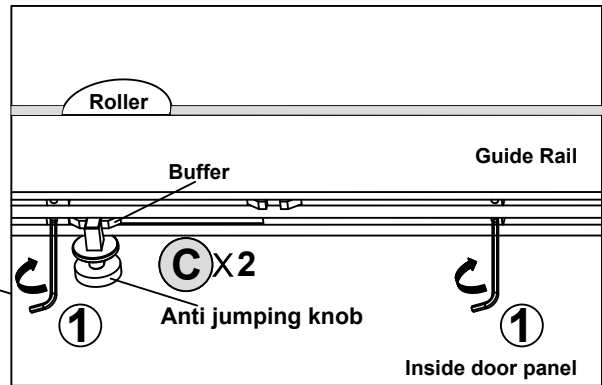
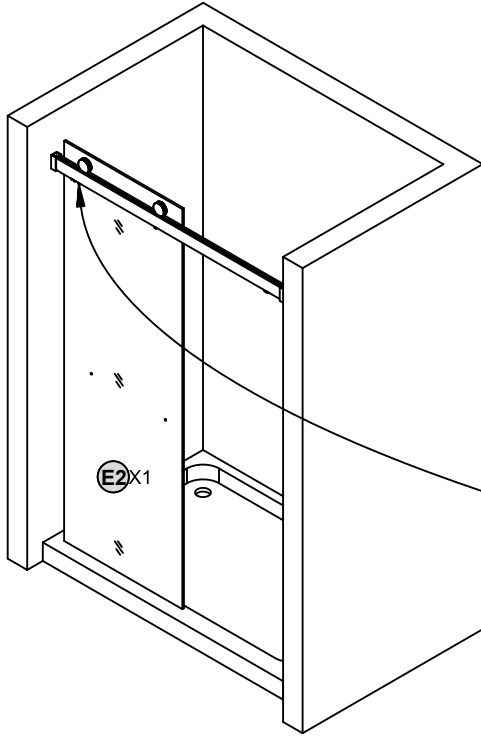


NOTE



8 Adjust The **Anti jumping knob (C)**

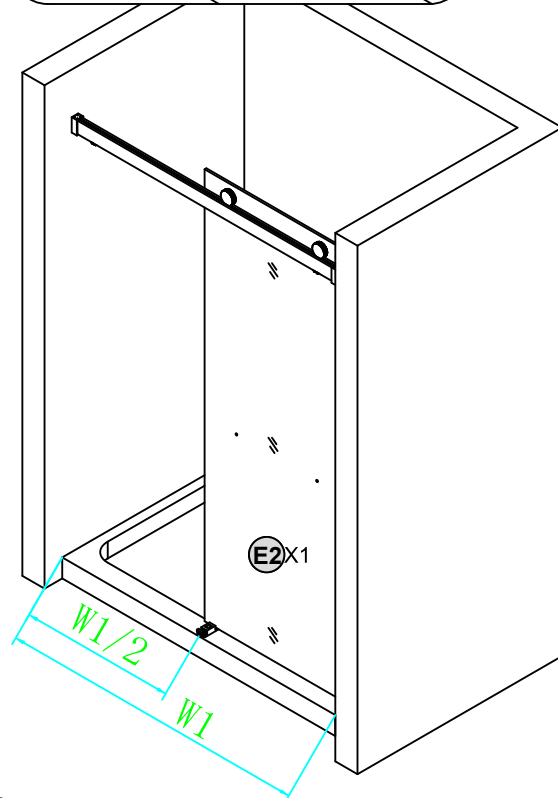
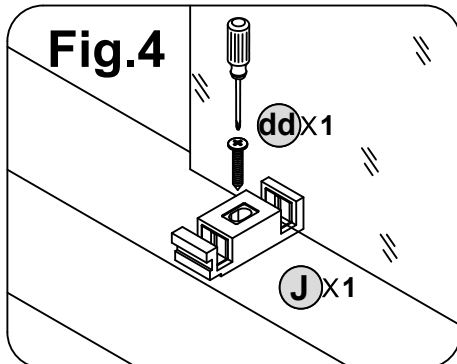
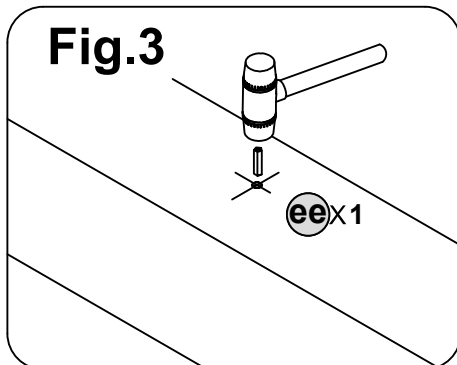
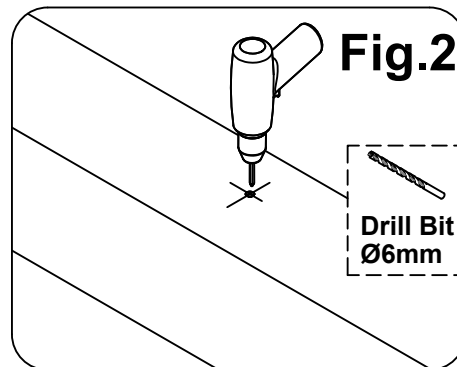
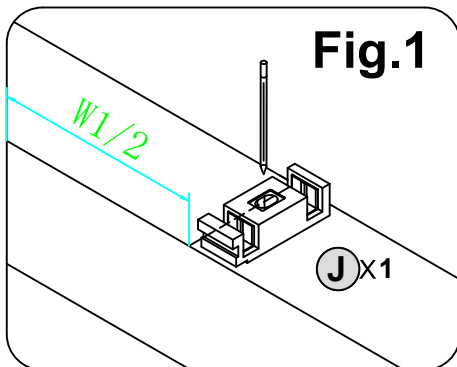
NOTE Anti jumping knob (C)
height adjustment



9 Install The **Bottom Guide Block (J)**

NOTE

1. Place the **bottom guide block (J)** at position $W1/2$ below the **inside door panel (E2)**. Use a pencil to mark the exact positions where it will be attached.
2. Using an electric drill, create an 6mm hole at the marked position for the expanding plug.
3. Insert the expanding plug into the ground using a **expansion rubber pellets $\text{\O}6\text{X}28\text{mm}$ (ee)**.
4. Secure the **bottom guide block (J)** to the ground using **ST4X30mm countersunk self-tapping screws (dd)**. Then, slide the **inside door panel (E2)** into the groove of the **bottom guide block (J)**.

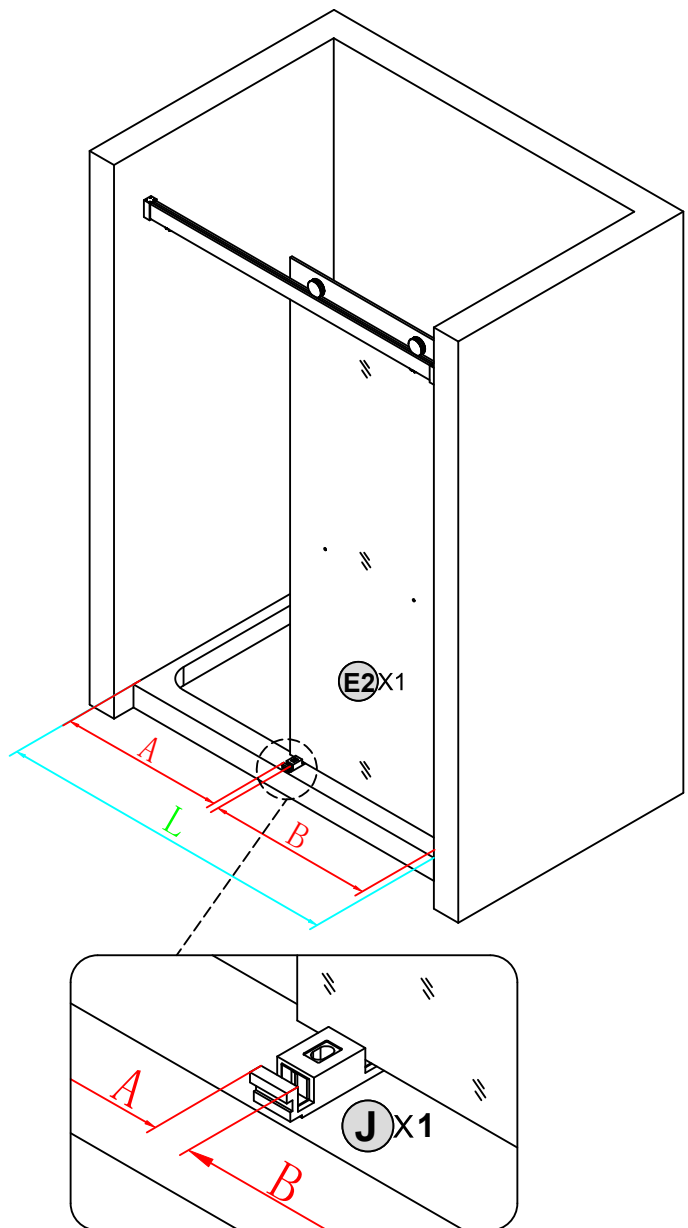
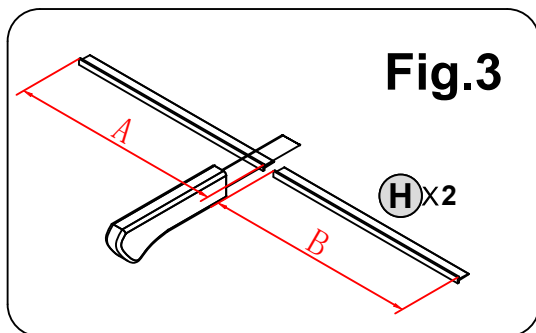
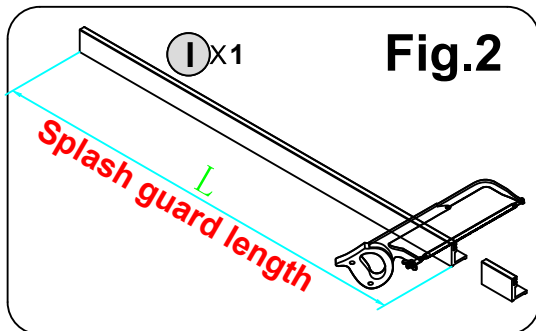
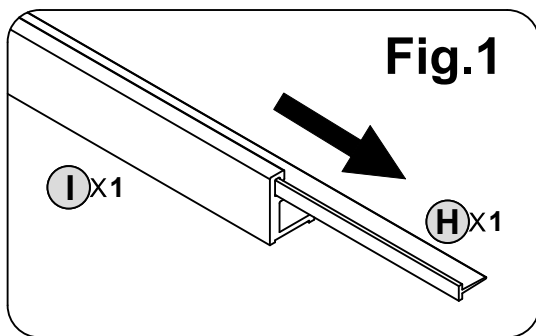


10 Install **Splash Guard (I)**

1. Remove the **waterproof seal strip (H)** from the **splash guard (I)**.
2. Measure on-site and trim the excess portion of the **splash guard (I)** as needed.

NOTE

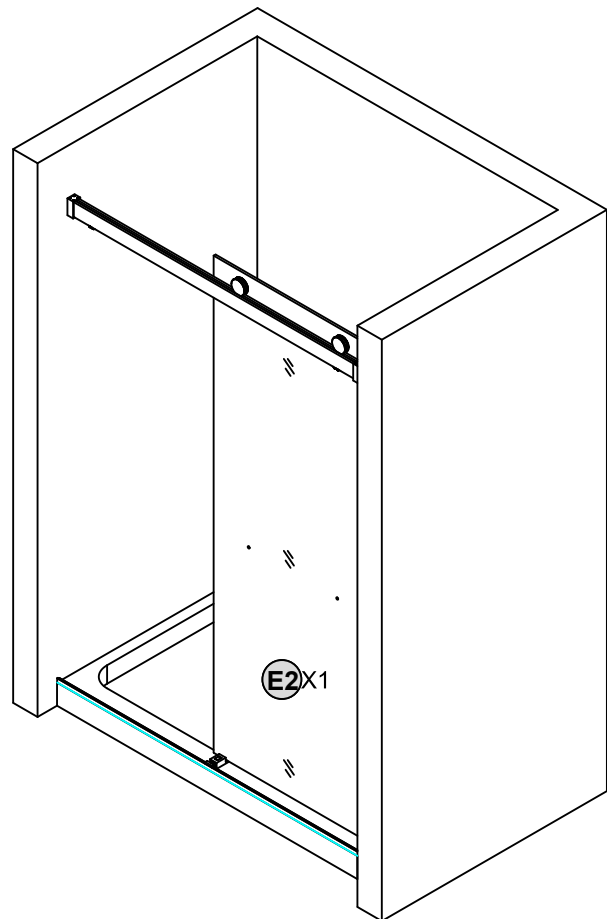
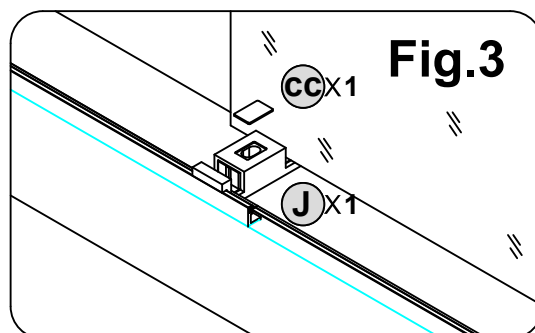
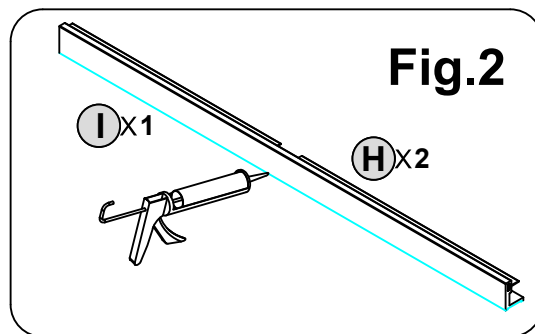
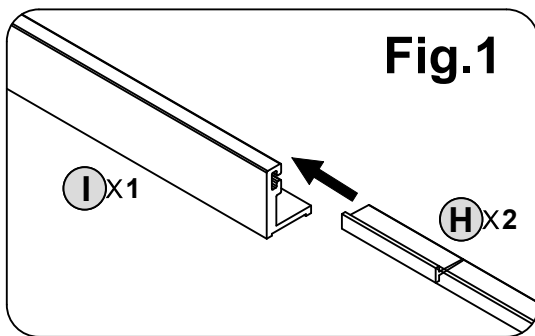
3. Measure the lengths of section A and section B, then cut the **waterproof seal strip (H)** to match the lengths of section A and section B.



11 Install Splash Guard (I)

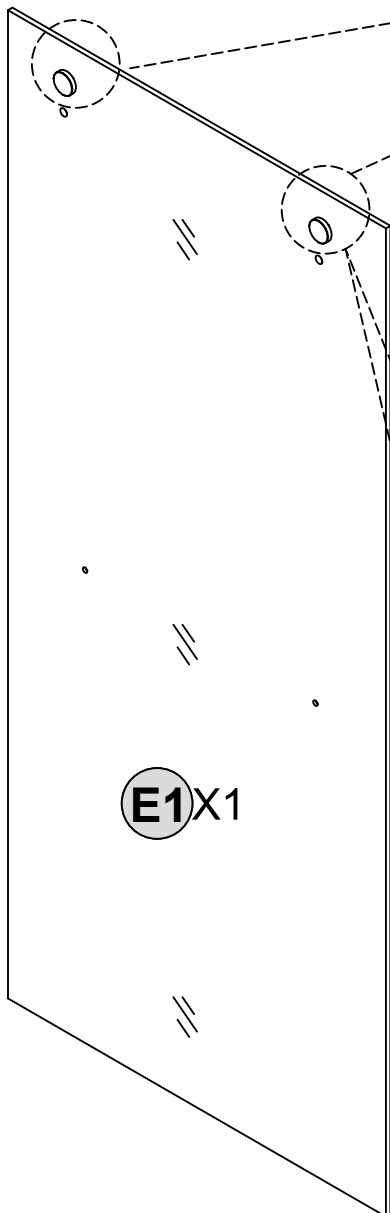
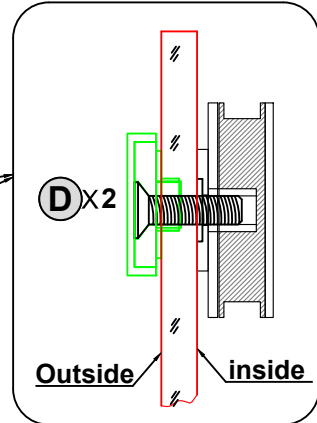
NOTE

1. Insert sections A and B of the **waterproof seal strip (H)** into the **splash guard (I)** separately, ensuring that the outer ends of the **waterproof seal strip (H)** are aligned with the ends of the **splash guard (I)**.
2. Apply a bead of silicone sealant along the bottom edge of the **splash guard (I)**.
3. Snap the **splash guard (I)** into the lower slider slot. (Note: If it doesn't fit, you need to loosen the **ST4X30 countersunk self-tapping screws** a little, then tighten the screws after the **splash guard (I)** is in place), and cover with the **decorative cap (cc)**.

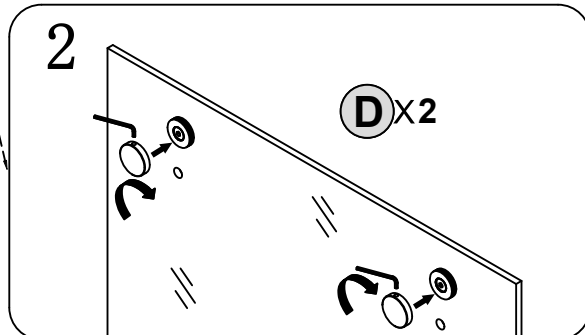
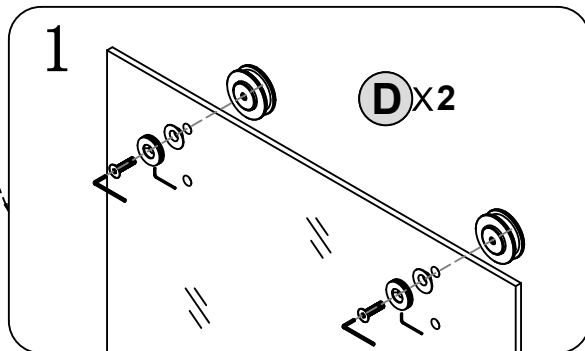


12 Install The Roller On The **Outside Door Panel (E1)**

NOTE The roller faces inward



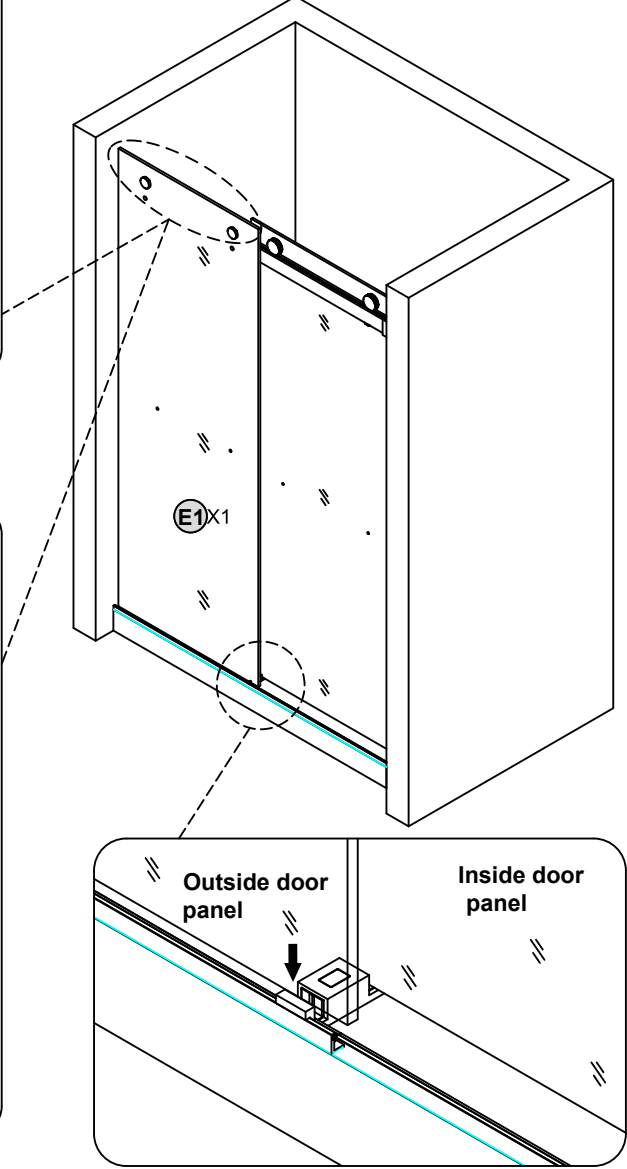
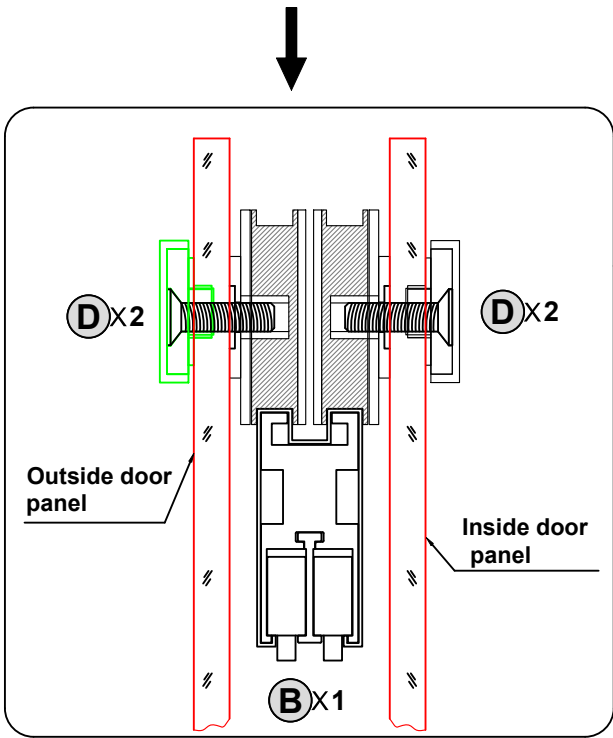
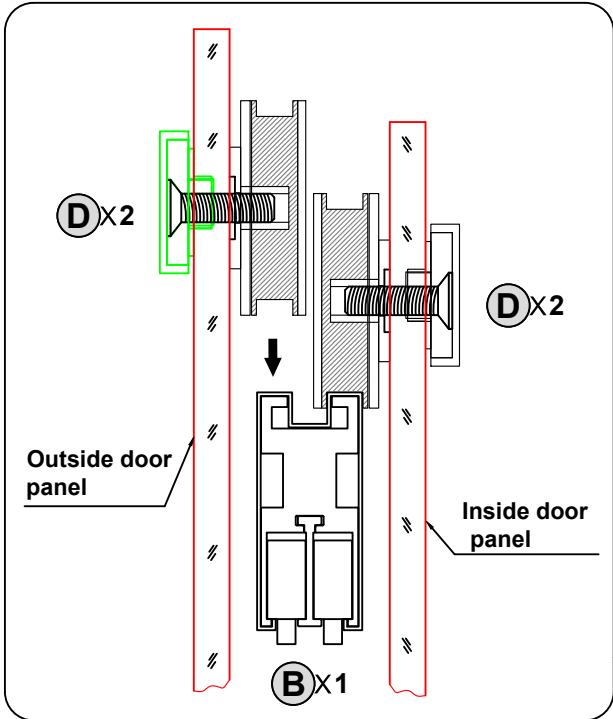
1. Insert the rubber bushing and threaded sleeve into the corresponding holes in the **outside door panel (E1)**, then secure the **roller (D)** using a countersunk machine screw.
2. Tighten the **roller (D)** cap.



13 Install The **Outside Door Panel (E1)**

NOTE

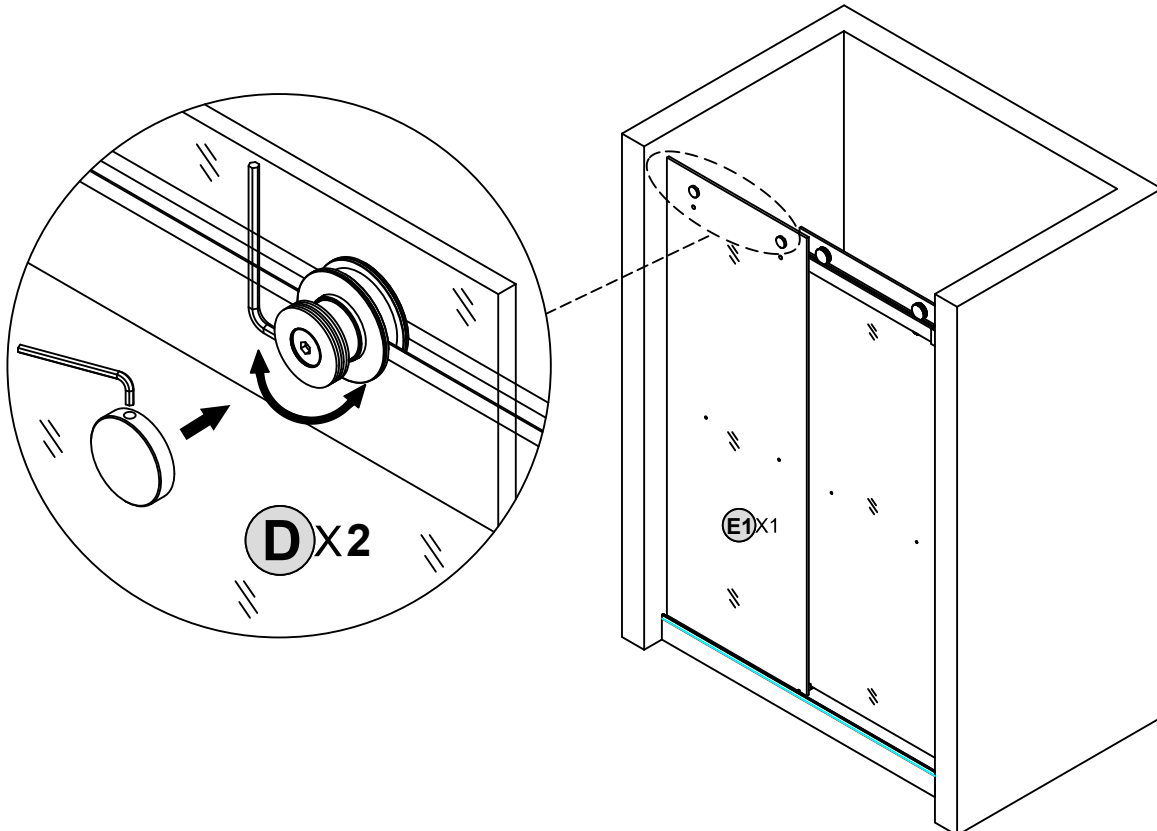
Lift the **outside door panel (E1)** and position the groove of the **roller (D)** onto the **guide rail (B)**. Then, place the bottom of the **outside door panel (E1)** into the groove of the **bottom guide block (J)**.



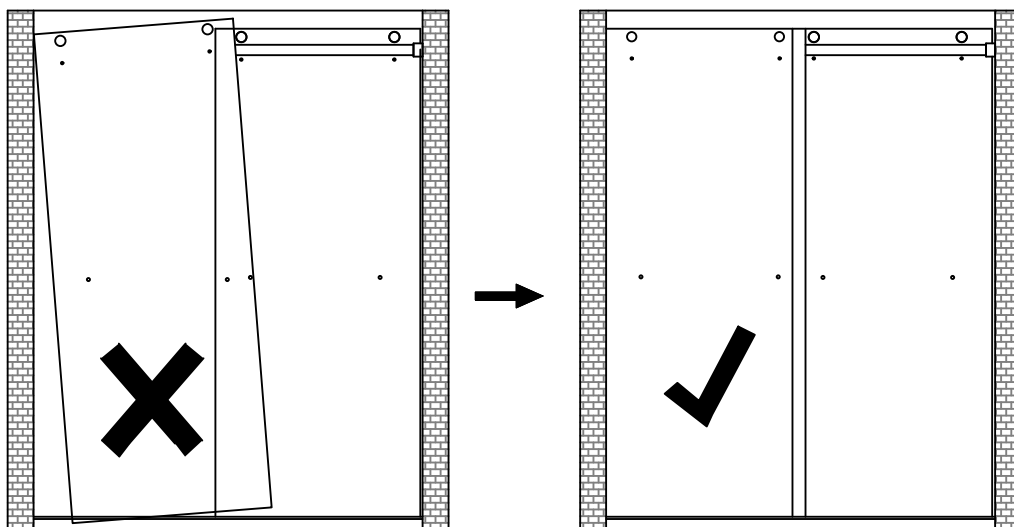
14 Adjust the height of the **outside door panel (E1)**

NOTE

Ensure the **rollers (D)** are set to the proper height so that the **outside door panels (E1)** slide smoothly. Then, securely tighten the caps on the **rollers (D)**.

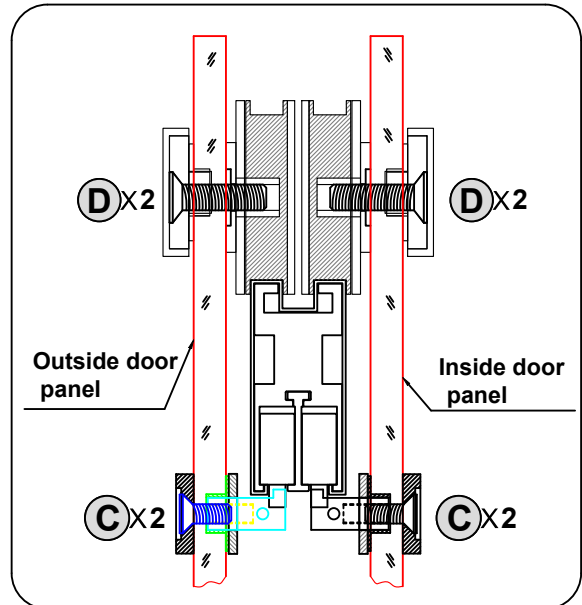
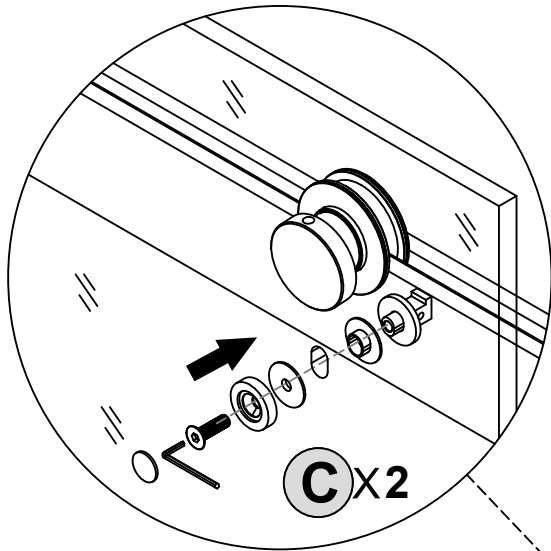


NOTE

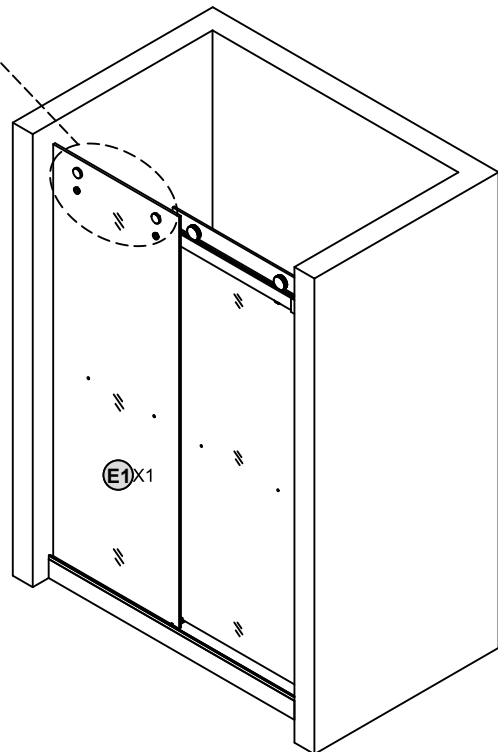
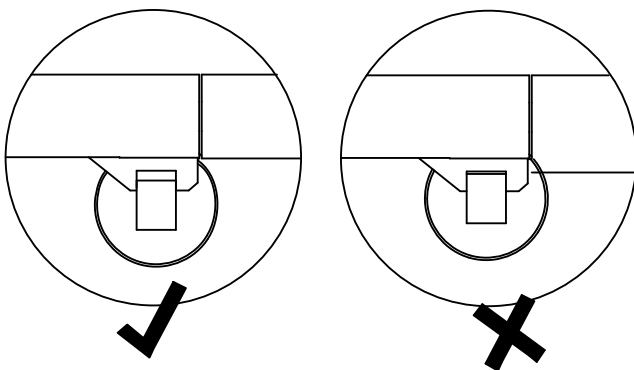


15 Install Anti jumping knob(C)

NOTE Install the **anti-jump knob (C)** onto the **outside door panel (E1)**.

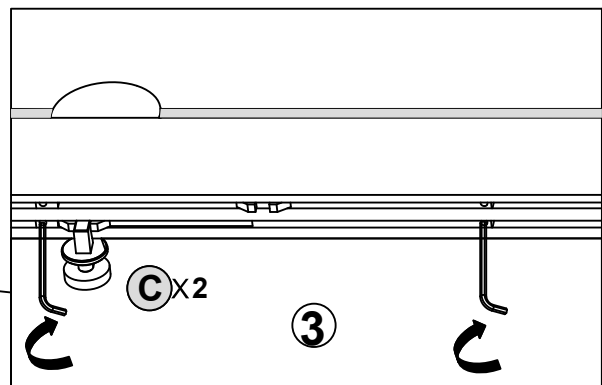
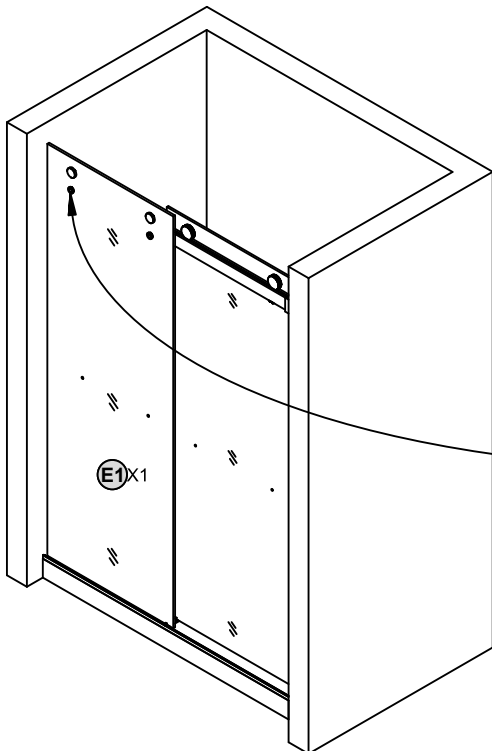
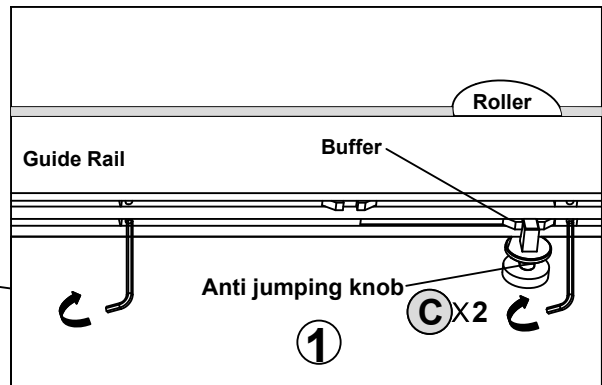
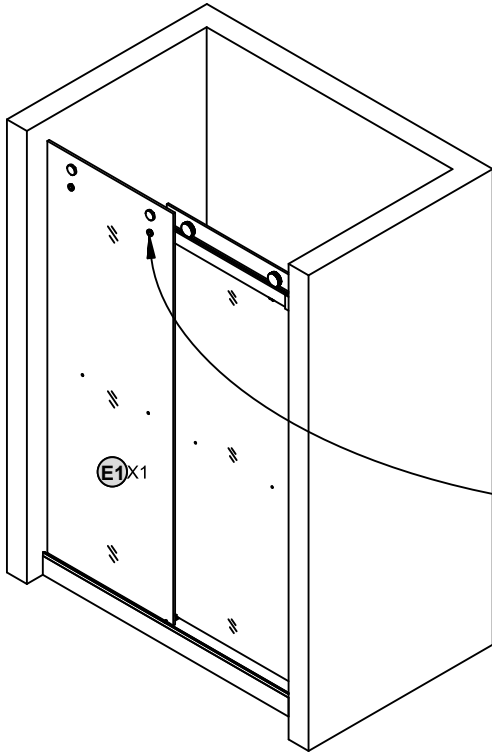


NOTE



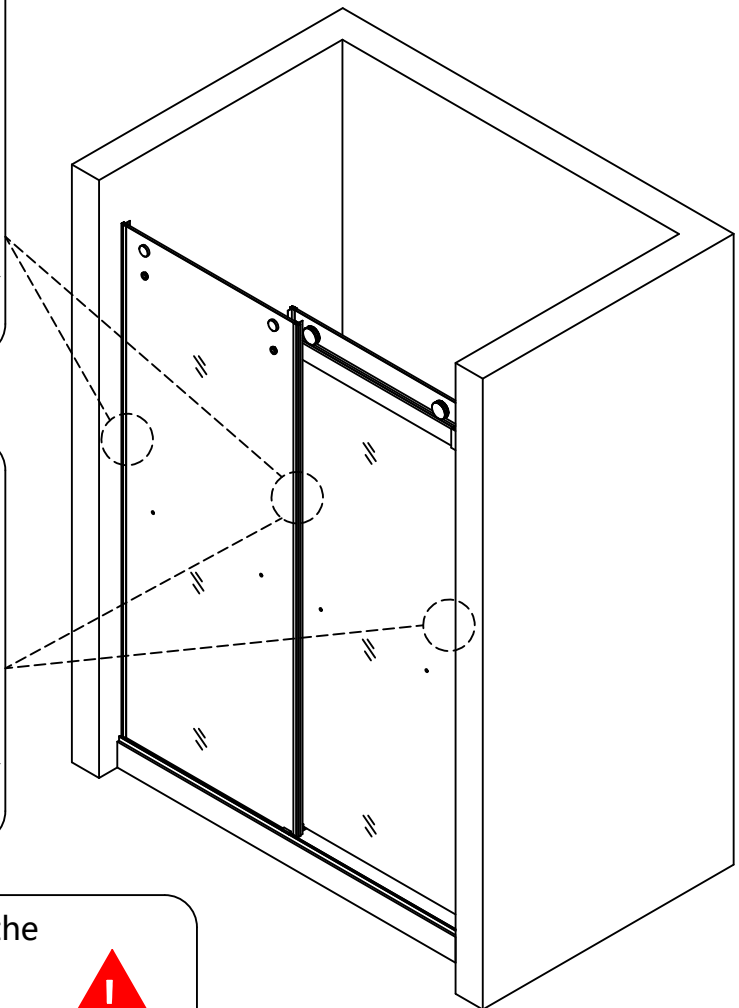
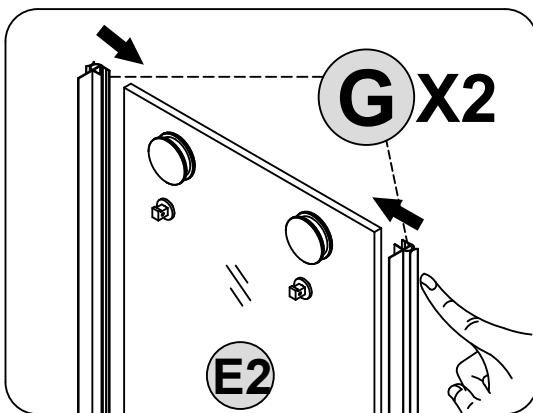
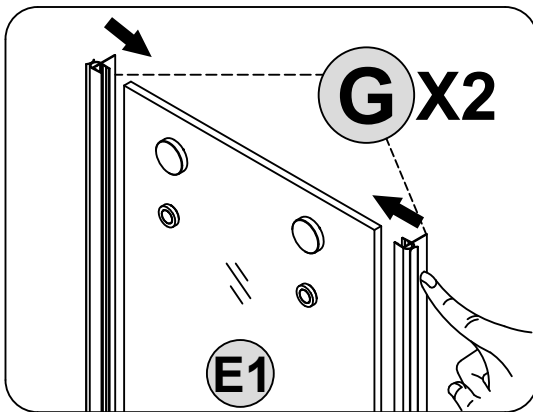
16 Adjust The **Anti-jumping knob (C)**

NOTE Adjust the height of the **anti-jump knob (C)**.



17 Install The **Seal Strip(G)**

NOTE Install two **sealing strips(G)** on each door



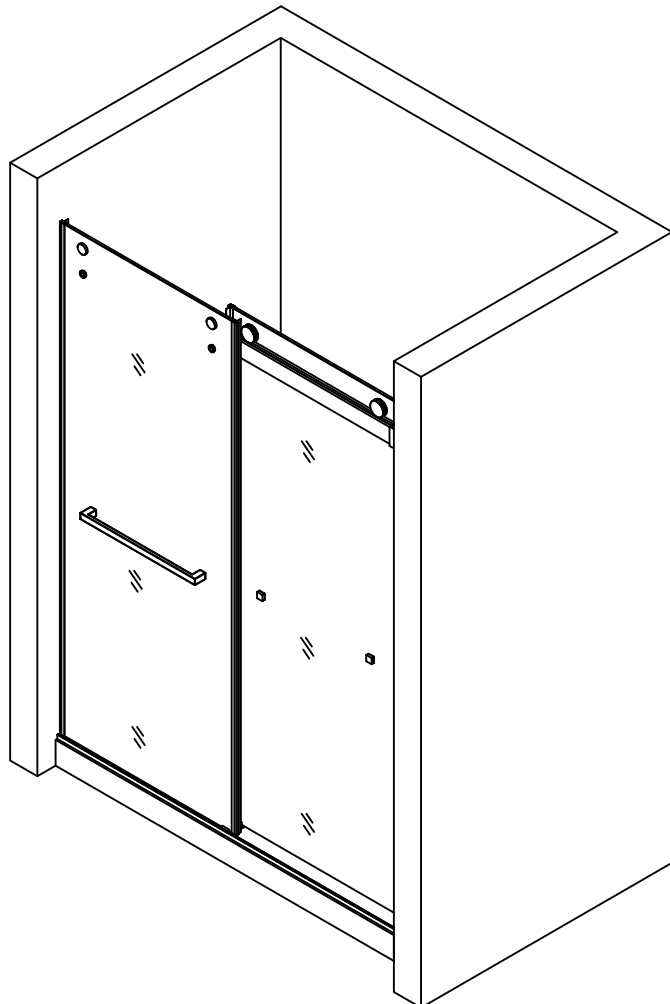
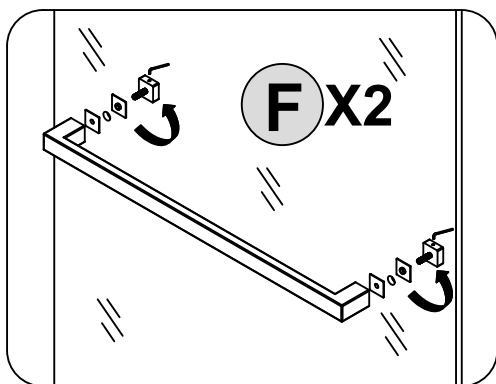
1. Fix the **Sealing Seal (G)** to the **Door Panel(E1&E2)**
2. The **Seal Strip (G)** is as High as the **Door Panel(E1&E2)**



18 Install the **towel bar (F)**

NOTE

Mount the **towel bar (F)** onto the **door panels (E1& E2)**, ensuring that all the provided plastic washers are used to protect the glass.



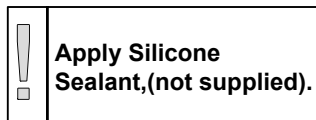
19 SEALING

NOTE The surfaces need to be clean and free of debris before applying silicone.

NOTE Make sure the shower door is tightly closed and opens smoothly. Apply high-quality asbestos sealant along the bottom of the fixed glass and the bottom of the lower water barrier.



Allow 24 hours for the silicone to cure before using the shower.



Apply silicone around the fixed glass and the lower water barrier.

