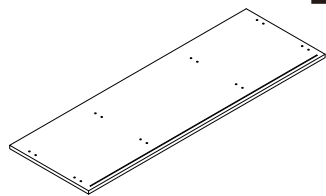


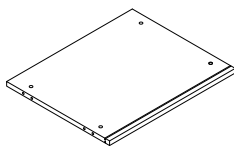
READ AND SAVE THIS INSTRUCTION FOR FUTURE USE

ASSEMBLY INSTRUCTION

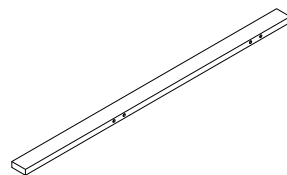
1x1



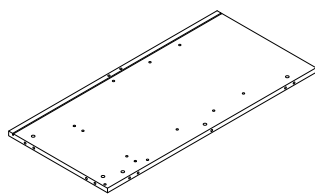
8x1



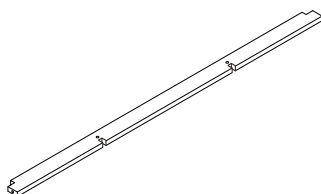
15x1



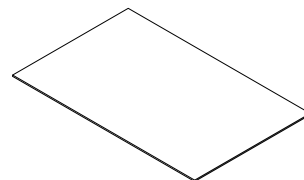
2x1



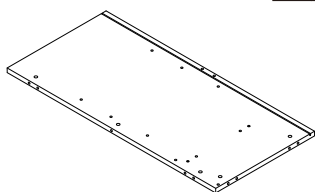
9x1



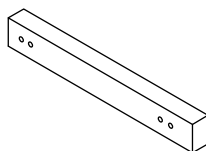
16x2



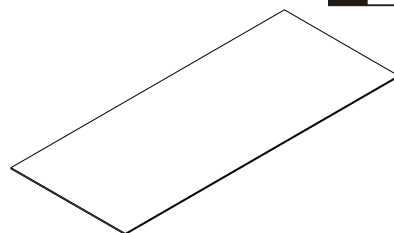
3x1



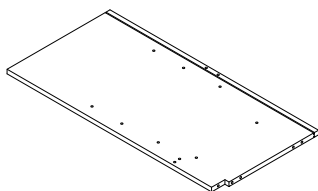
10x2



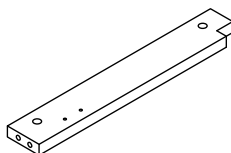
17x2



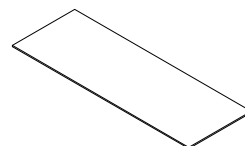
4x1



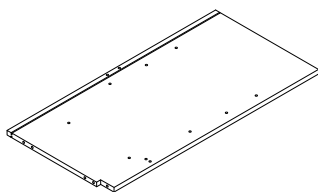
11x1



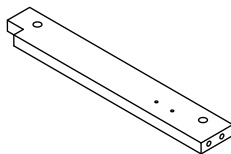
18x1



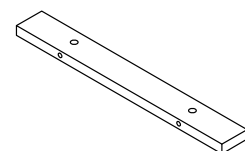
5x1



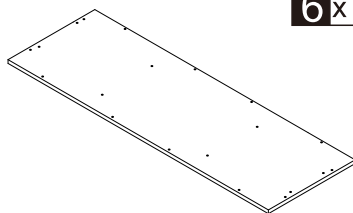
12x1



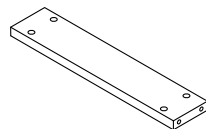
19x2



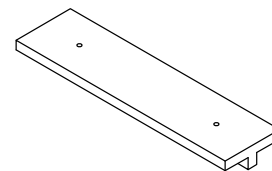
6x1



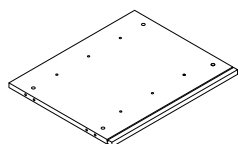
13x2



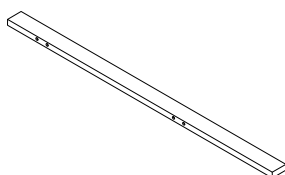
20x3



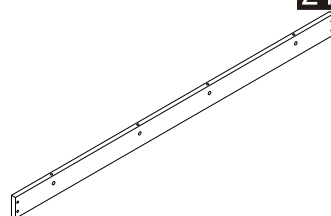
7x1



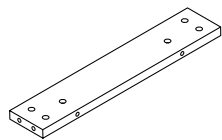
14x1



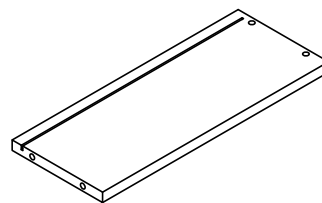
21x2



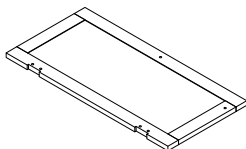
22x 2



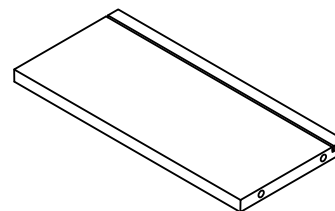
29x 3



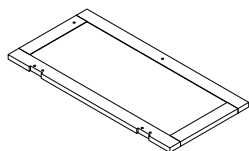
23x 1



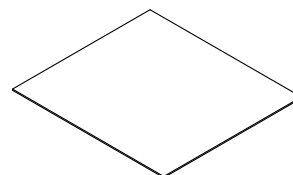
30x 2



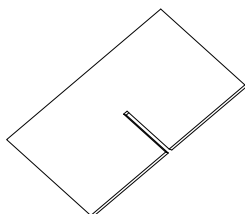
24x 1



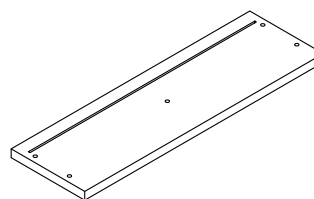
31x 2



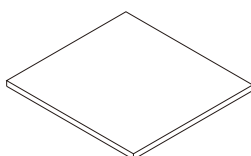
25x 2



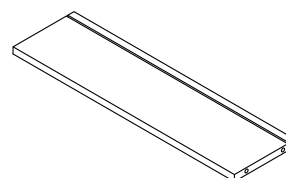
32x 1



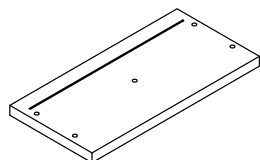
26x 2



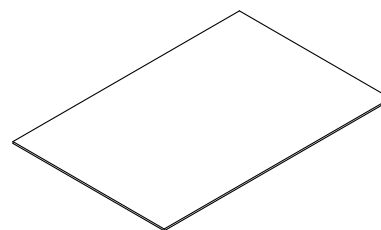
33x 1



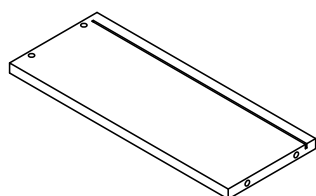
27x 2

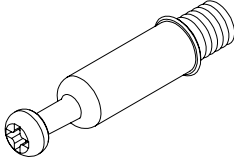
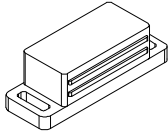
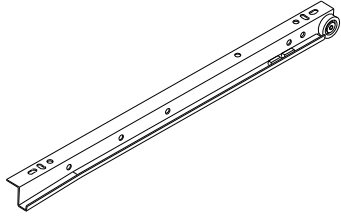
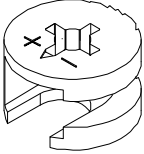
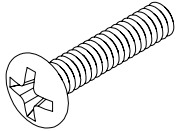
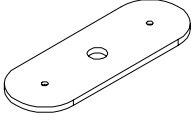
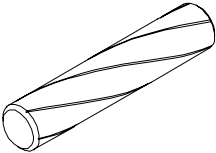
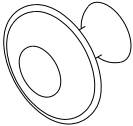
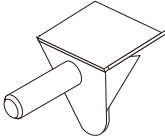
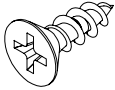
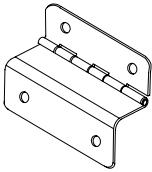
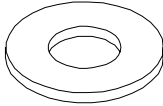
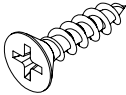
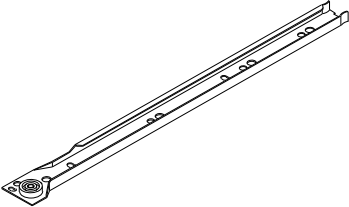
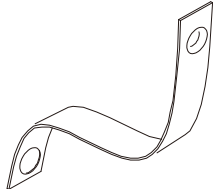
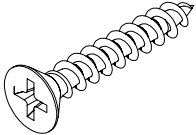
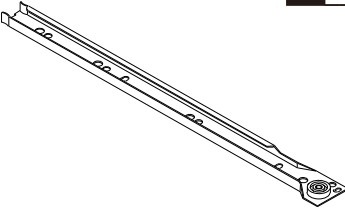
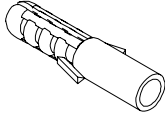
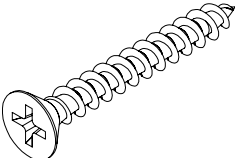
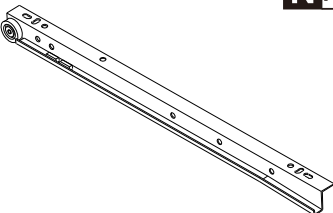
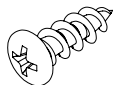


34x 1

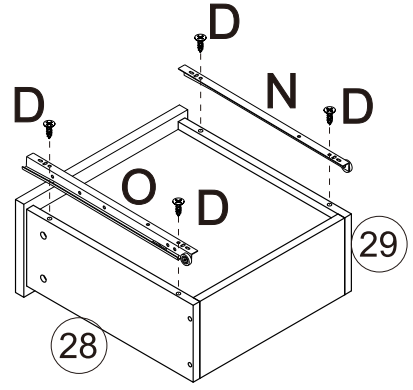
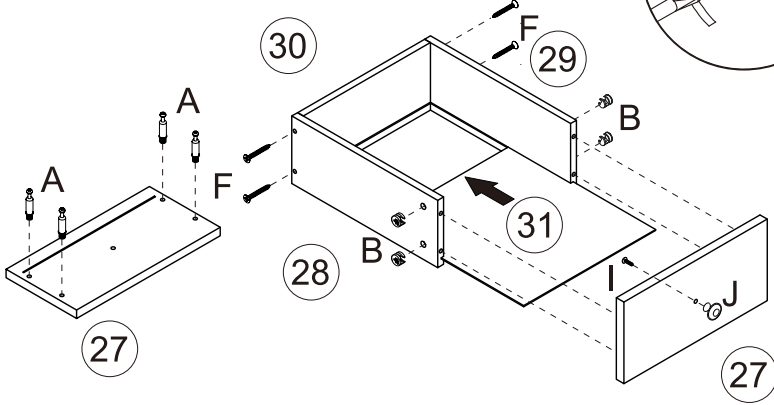


28x 3



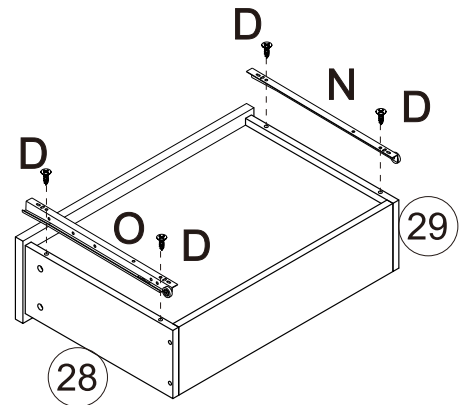
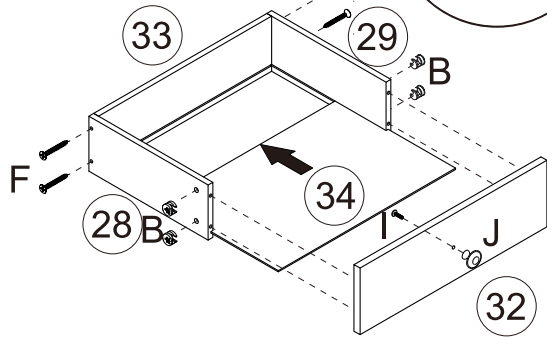
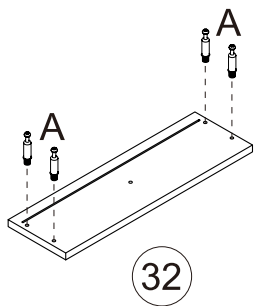
 <p>Ax72</p>	 <p>Hx2</p>	 <p>Ox3</p>
 <p>Bx72</p>	 <p>Ix5</p>	 <p>Px2</p>
 <p>Cx34</p>	 <p>Jx5</p>	 <p>Qx8</p>
 <p>Dx42</p>	 <p>Kx4</p>	 <p>Rx4</p>
 <p>Ex4</p>	 <p>Lx3</p>	 <p>Sx2</p>
 <p>Fx18</p>	 <p>Mx3</p>	 <p>Tx2</p>
 <p>Gx18</p>	 <p>Nx3</p>	 <p>Ux2</p>

A	x 8
B	x 8
F	x 8
I	x 2
J	x 2
N	x 2
O	x 2
D	x 8

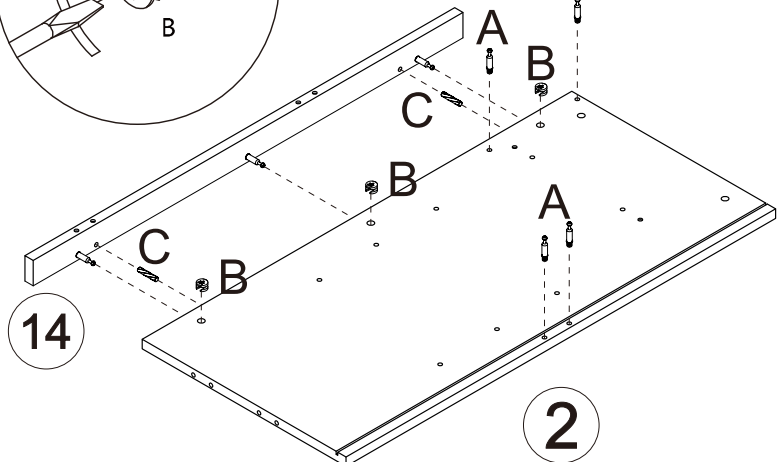
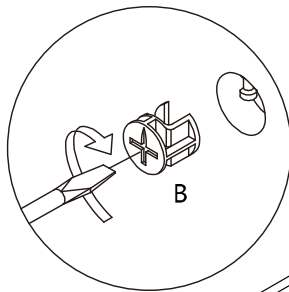
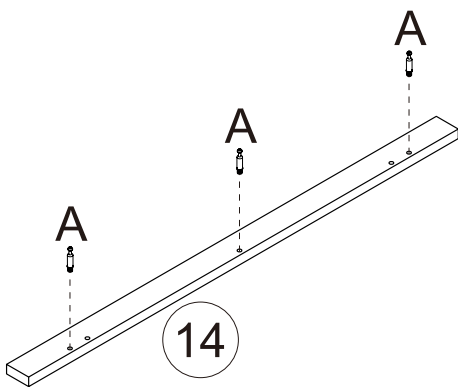


x2

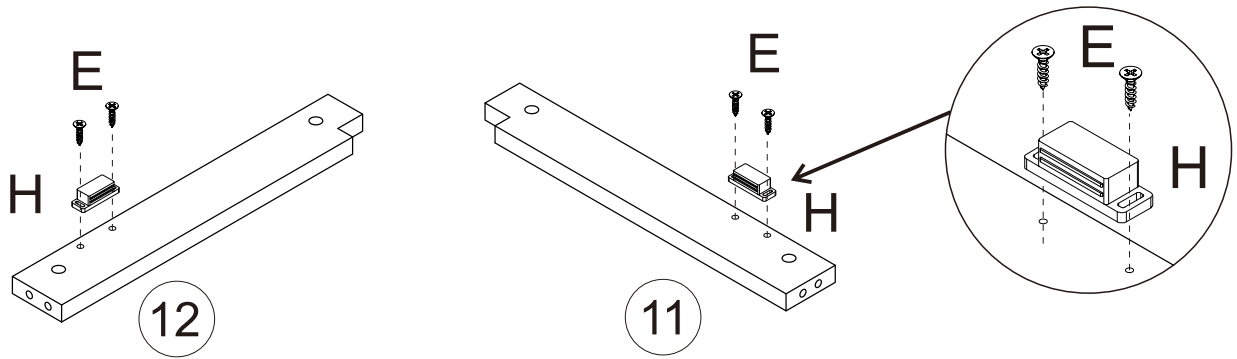
A	x 4
B	x 4
F	x 4
I	x 1
J	x 1
N	x 1
O	x 1
D	x 4



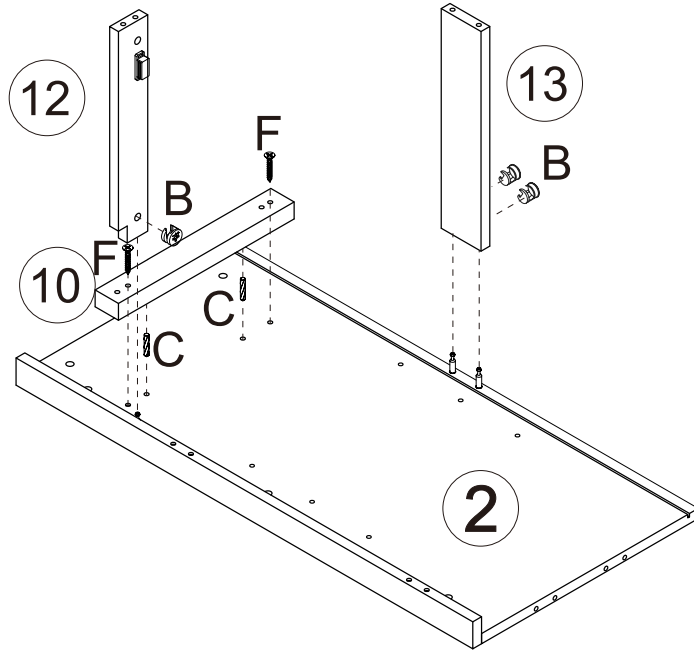
A	x 7
B	x 3
C	x 2



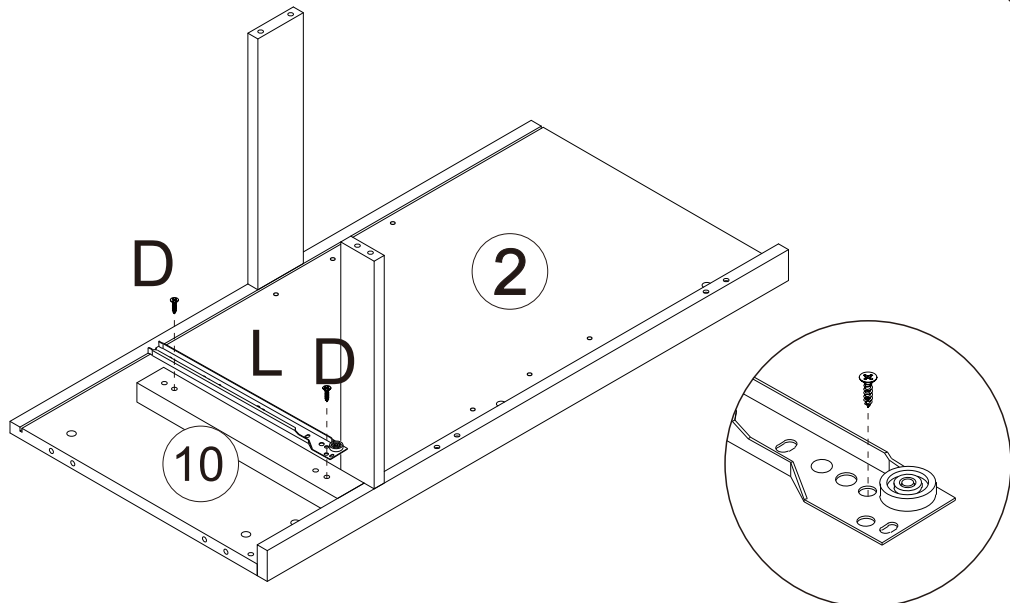
H	x 2
E	x 4



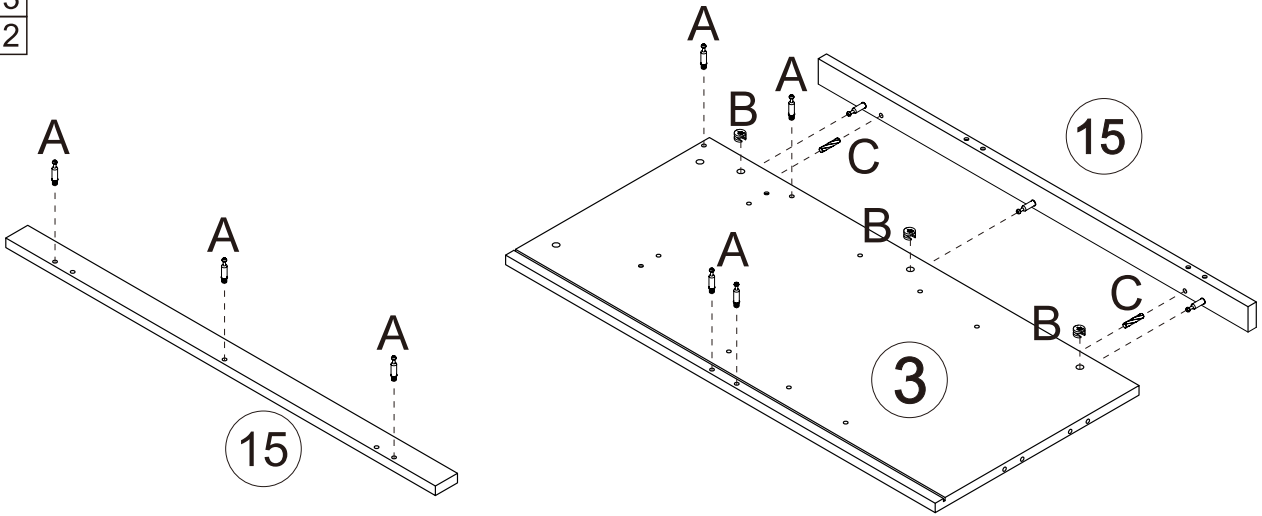
B	x 3
C	x 2
F	x 2



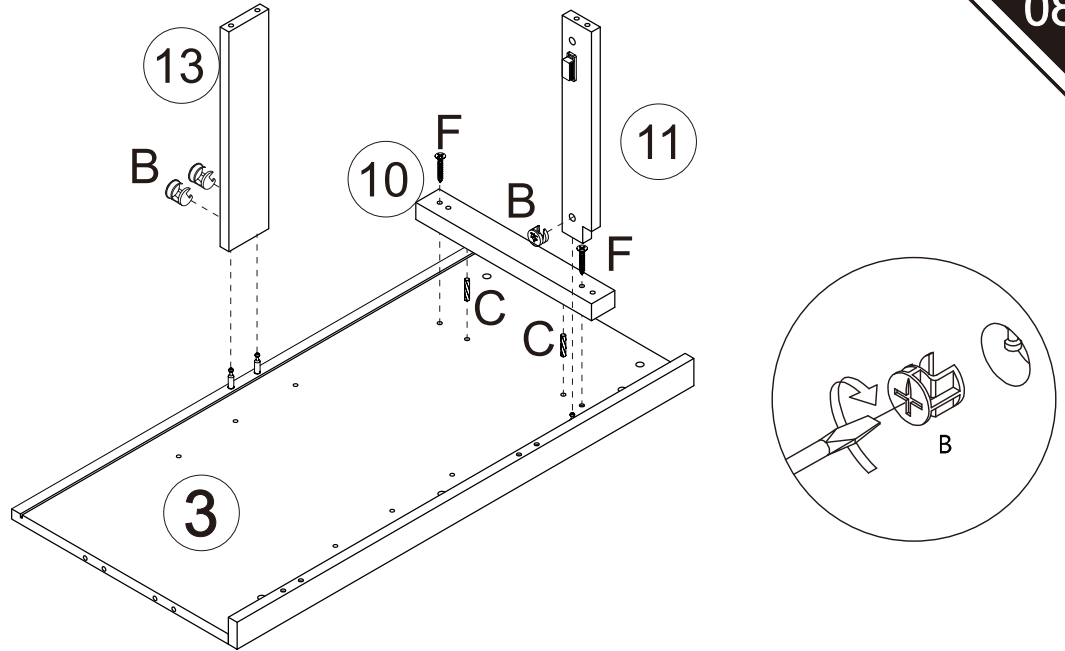
D	x 2
M	x 1
L	x 1



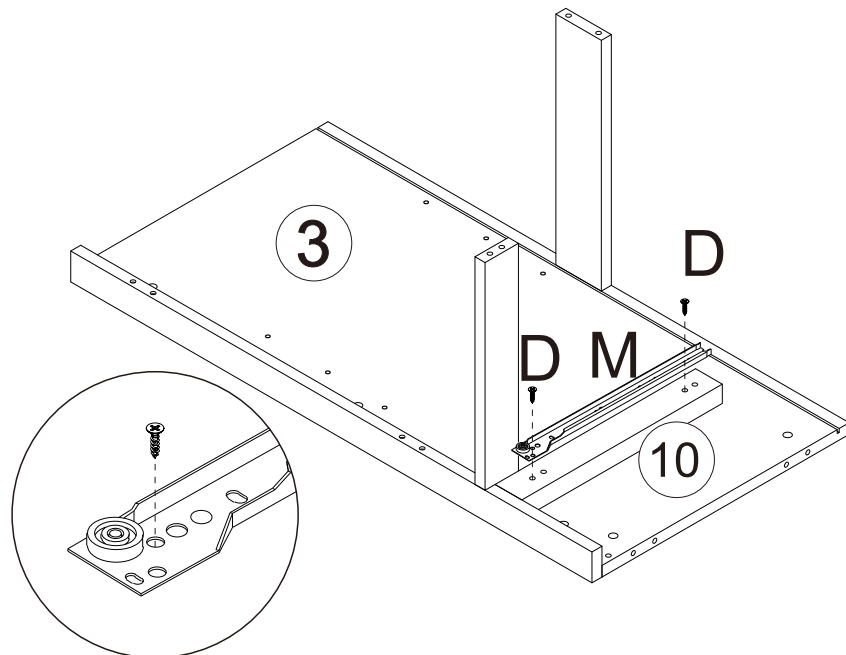
- A x 7
- B x 3
- C x 2

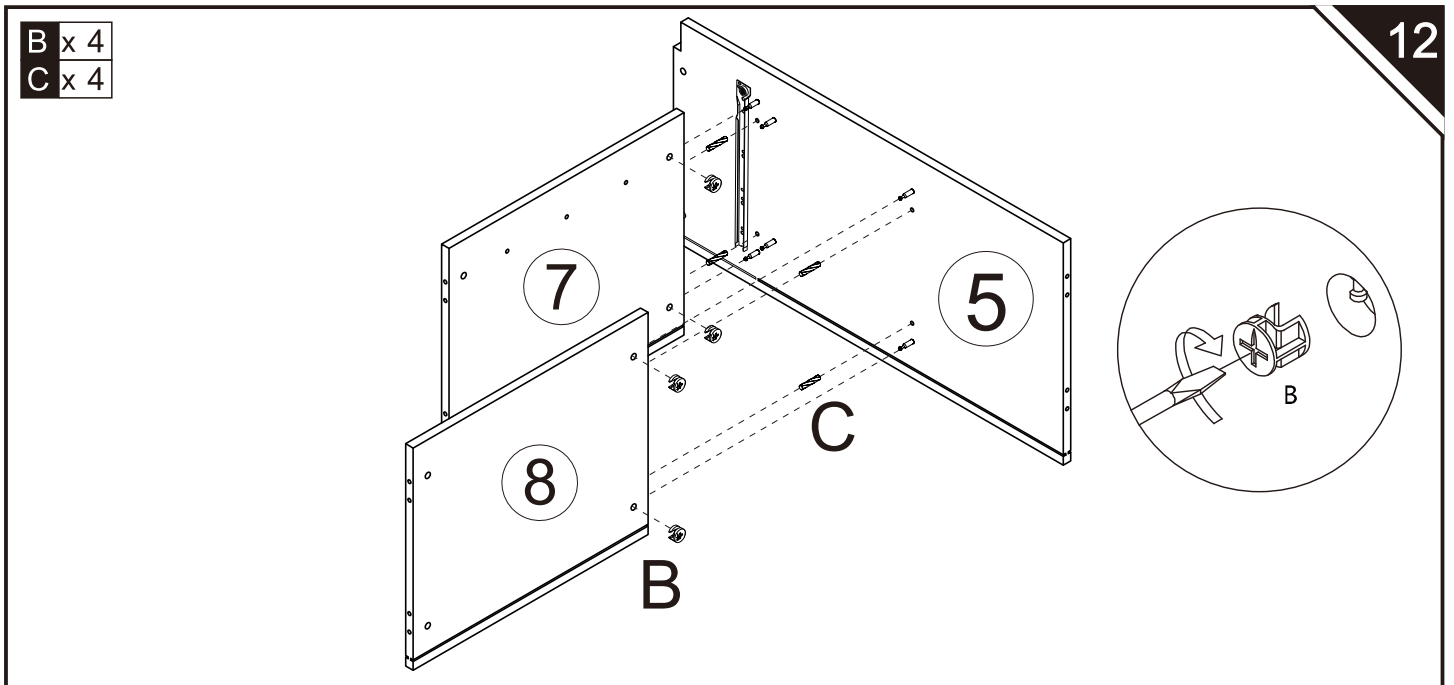
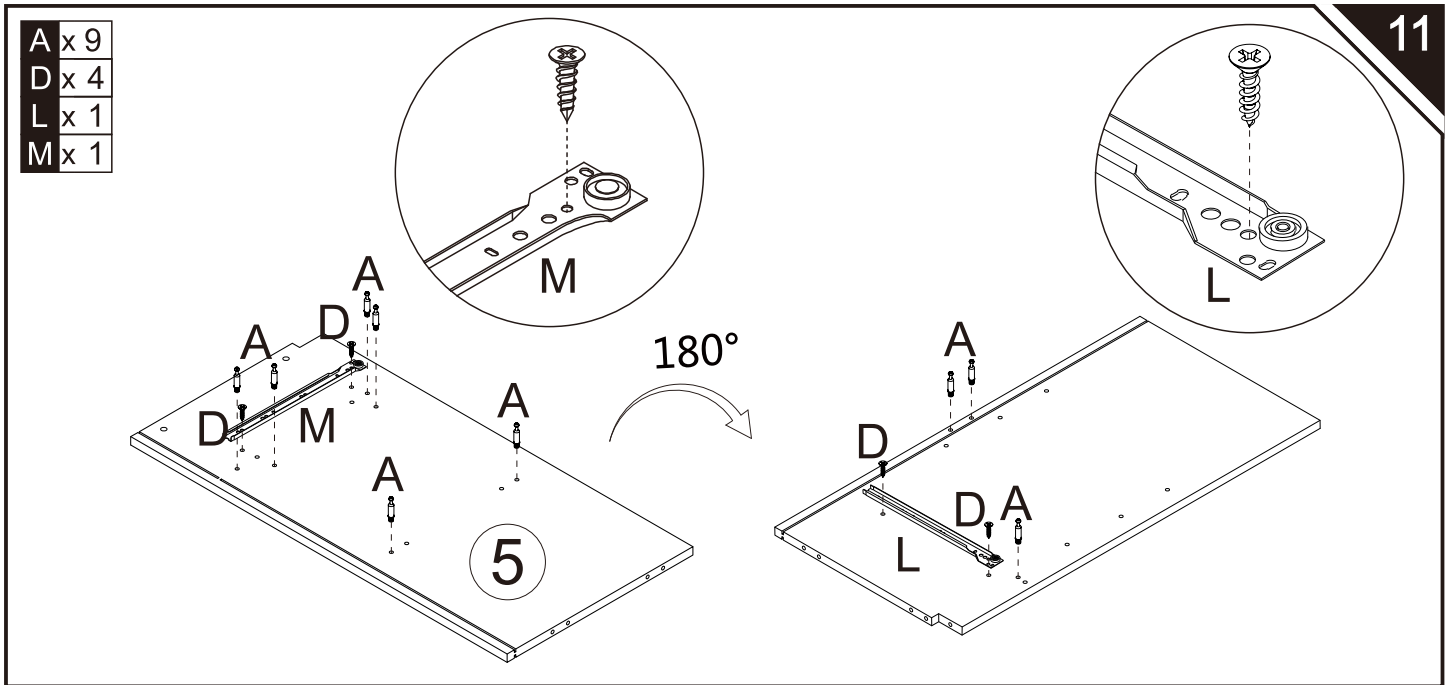
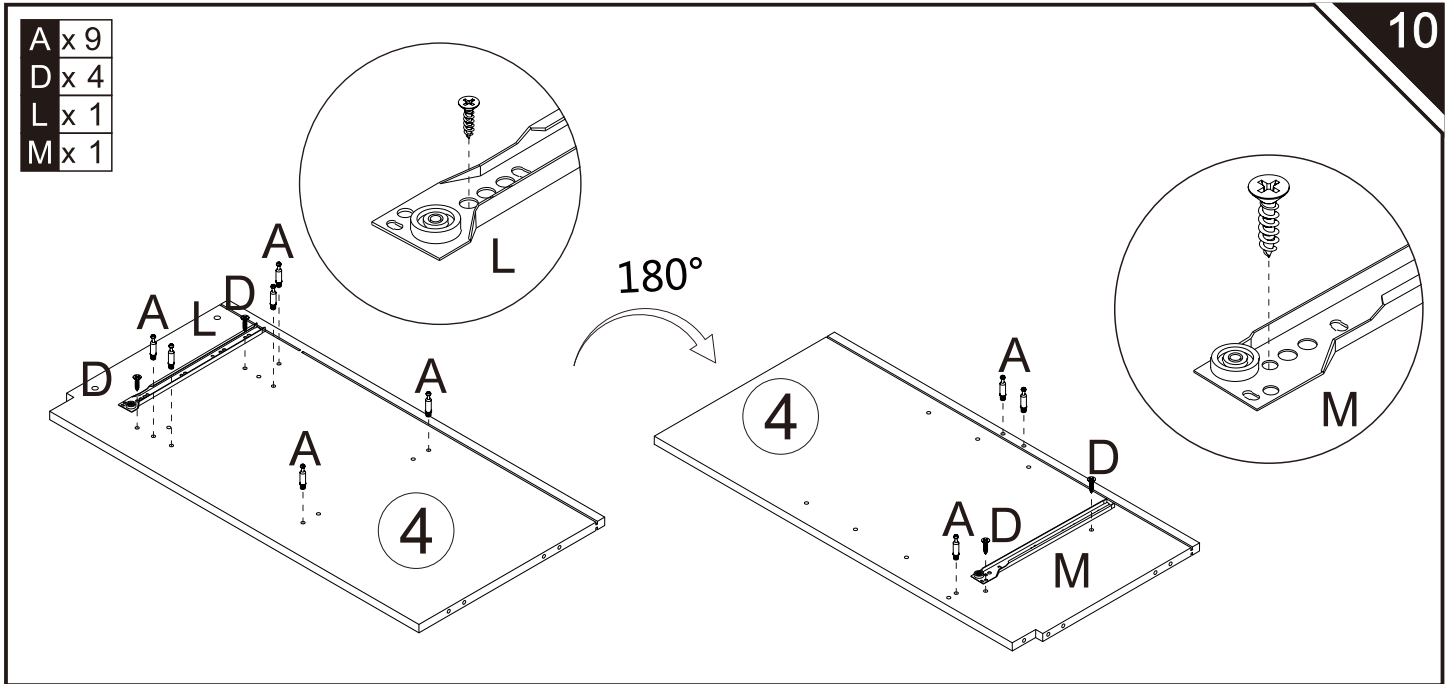


- B x 3
- C x 2
- F x 2



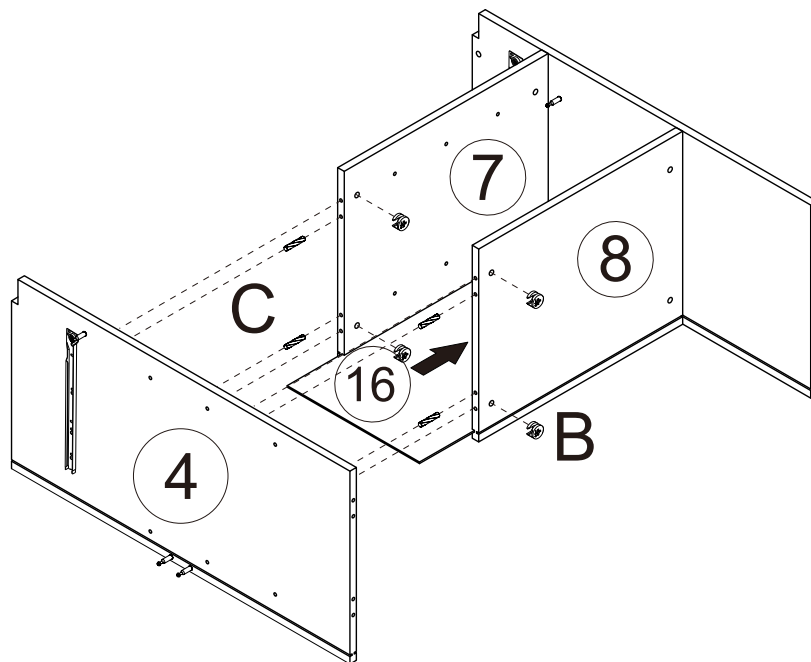
- D x 2
- M x 1





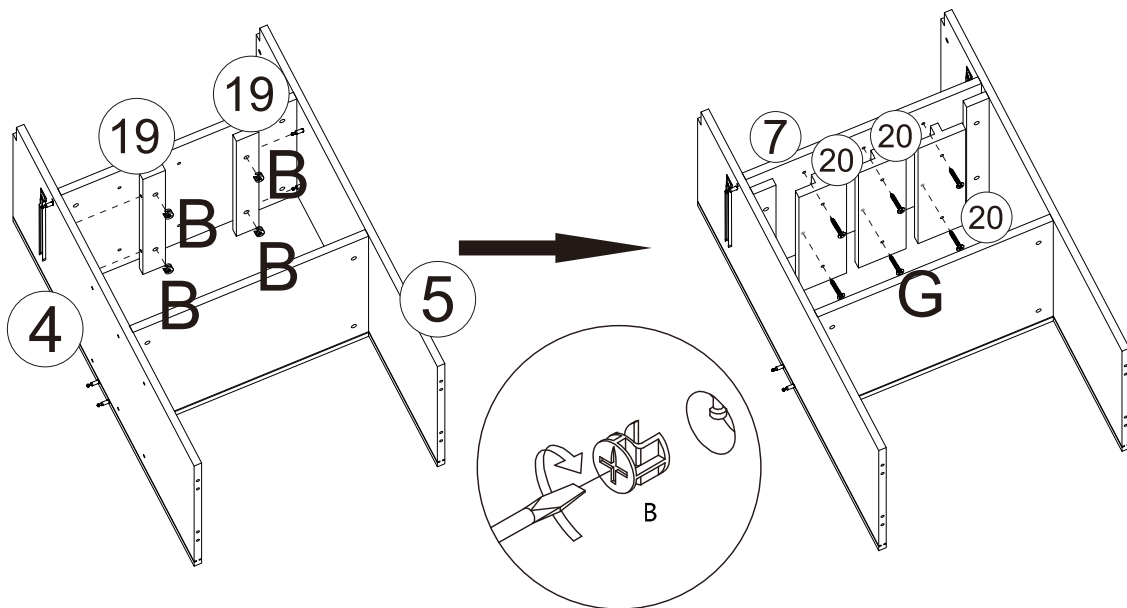
B x 4
C x 4

13



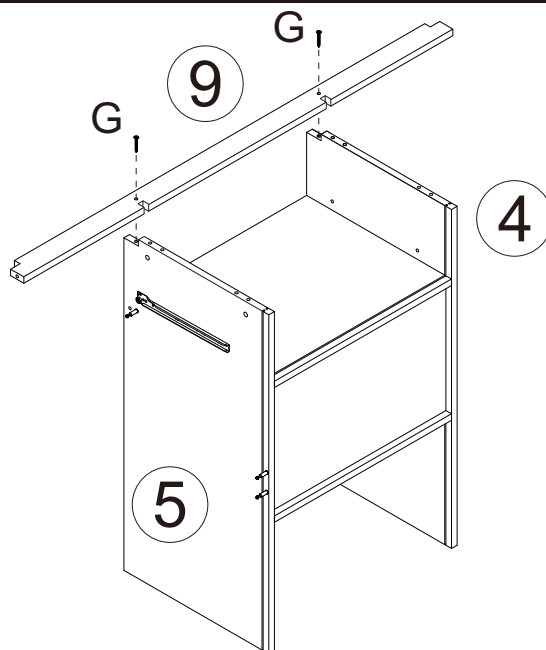
B x 4
G x 6

14



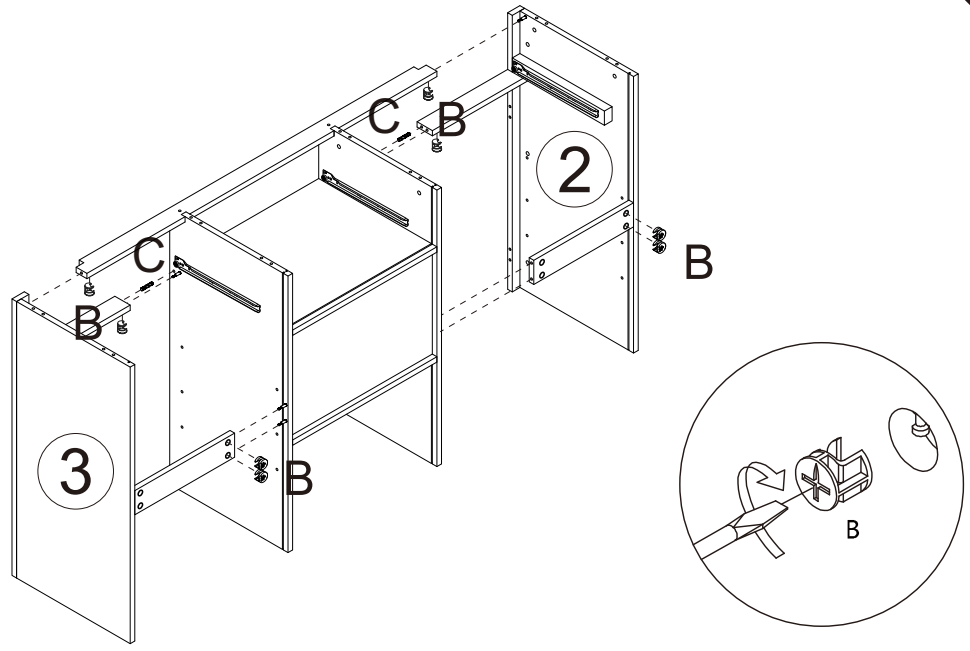
G x 2

15



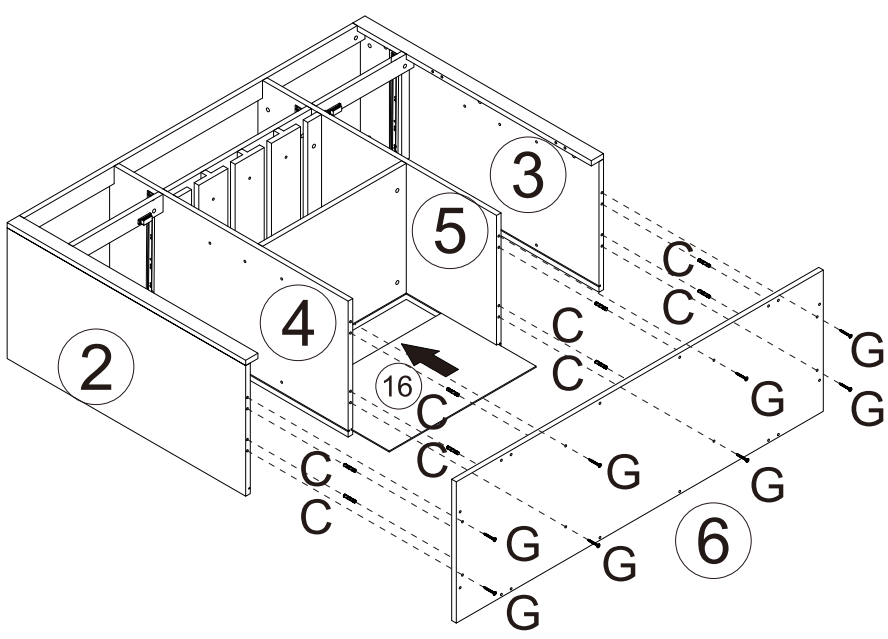
B x 8
C x 2

16



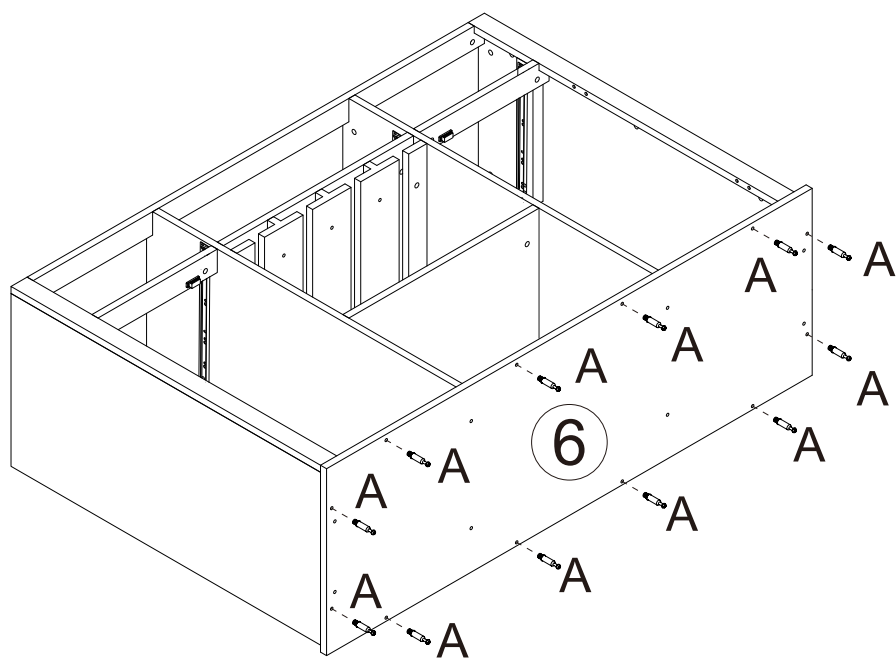
C x 8
G x 8

17



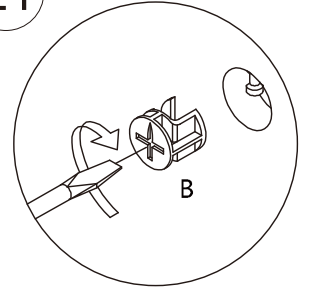
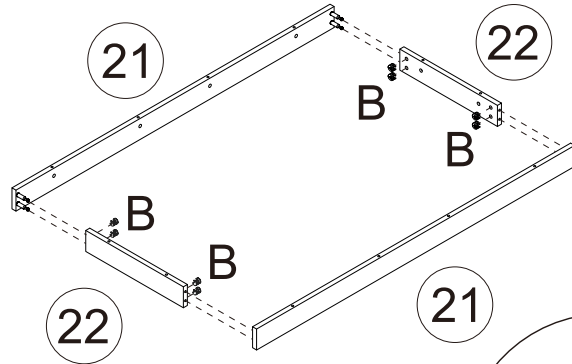
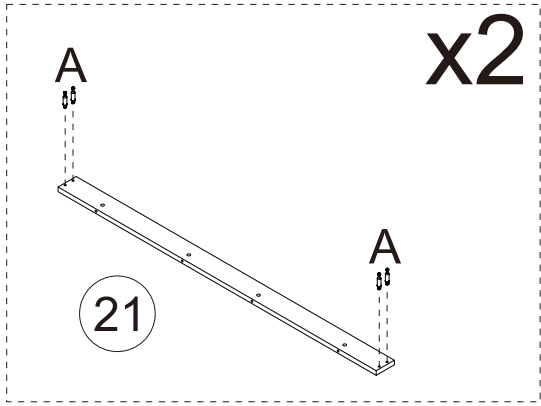
A x 12

18



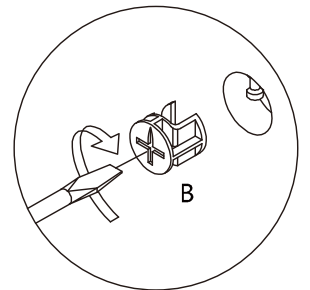
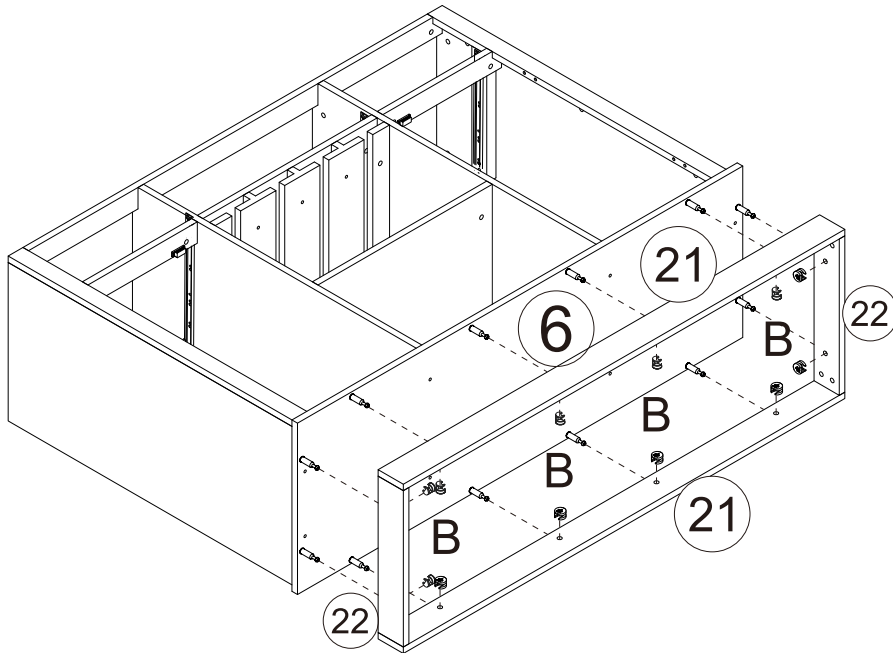
A x 8
B x 8

19

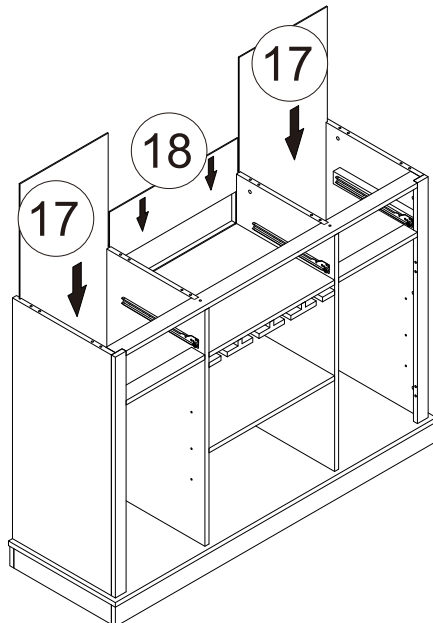


B x 12

20

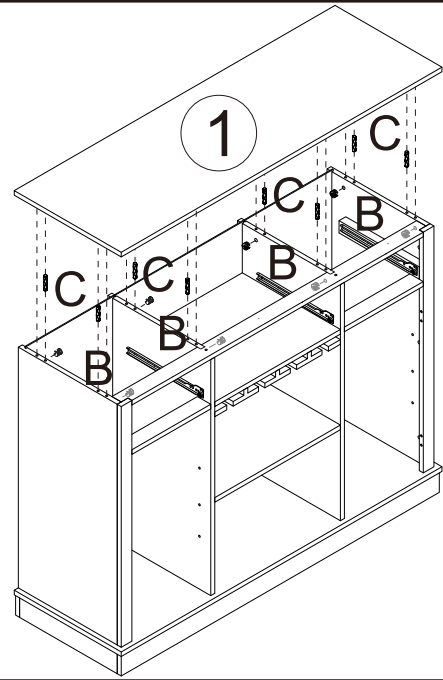
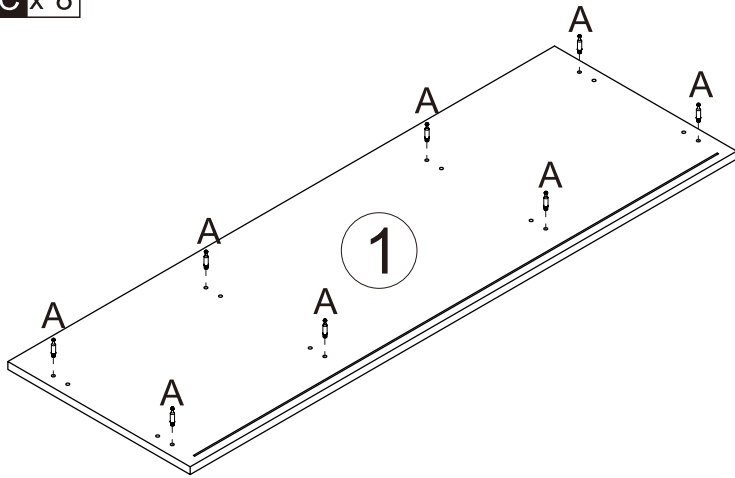


21

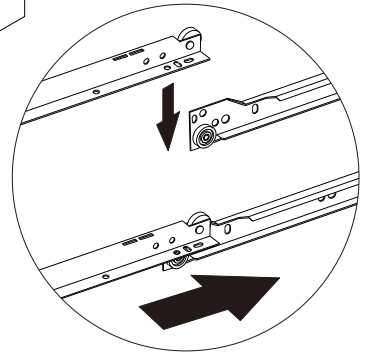
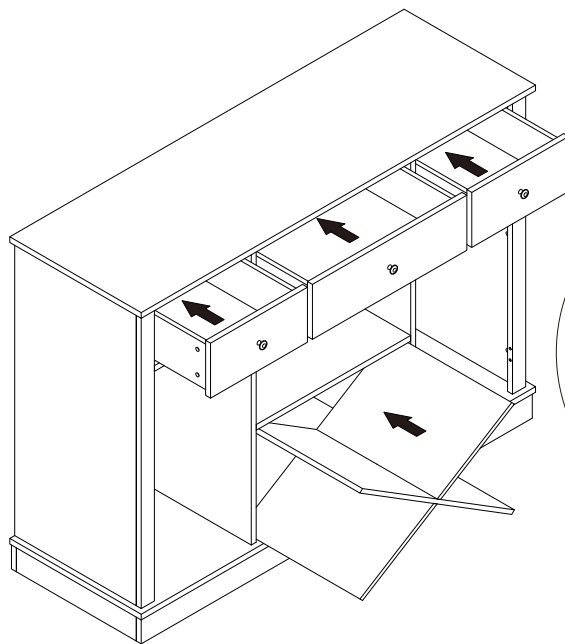
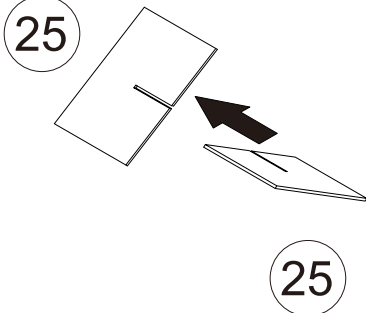


A x 8
B x 8
C x 8

22

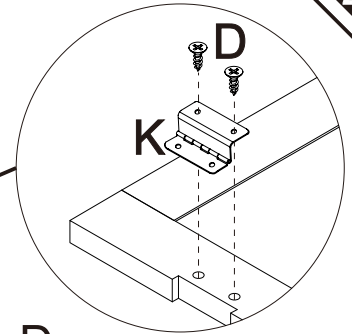
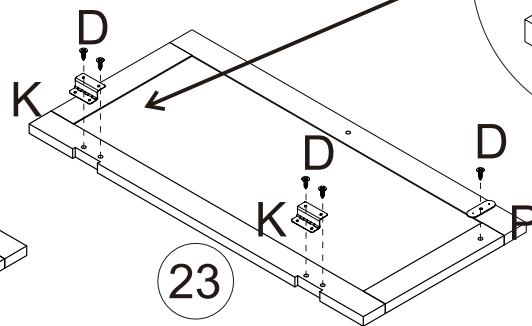
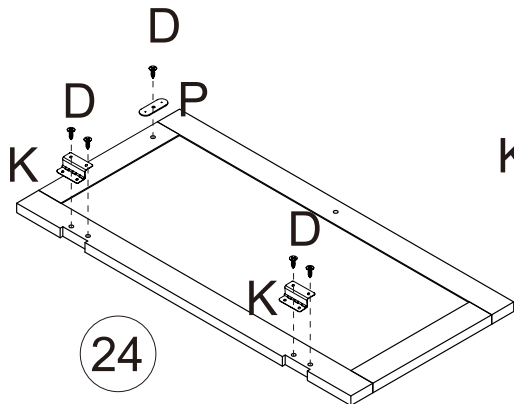


23

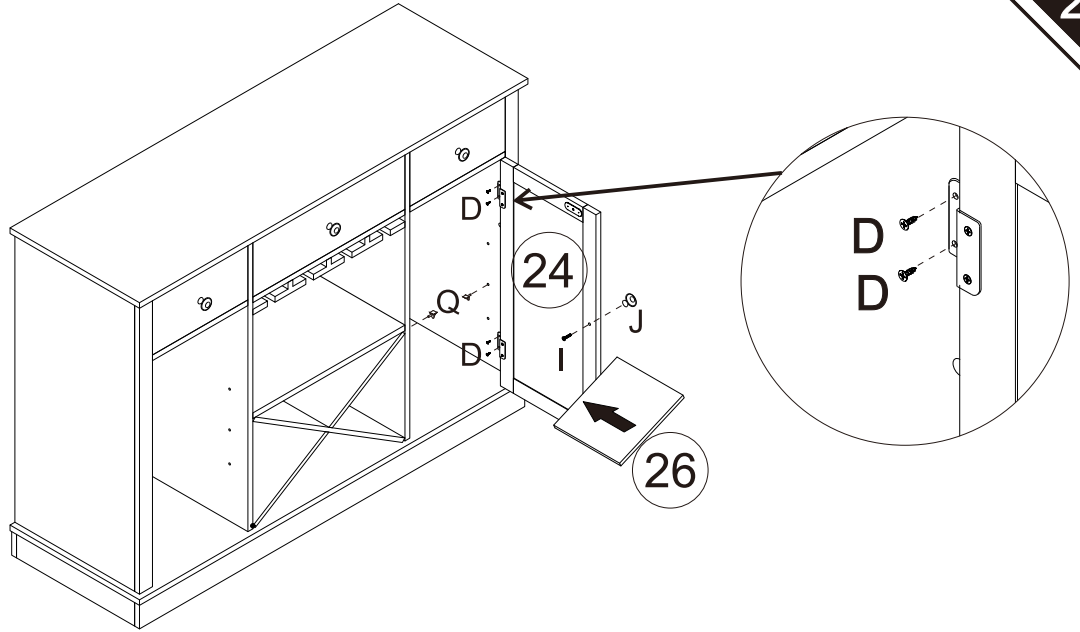


24

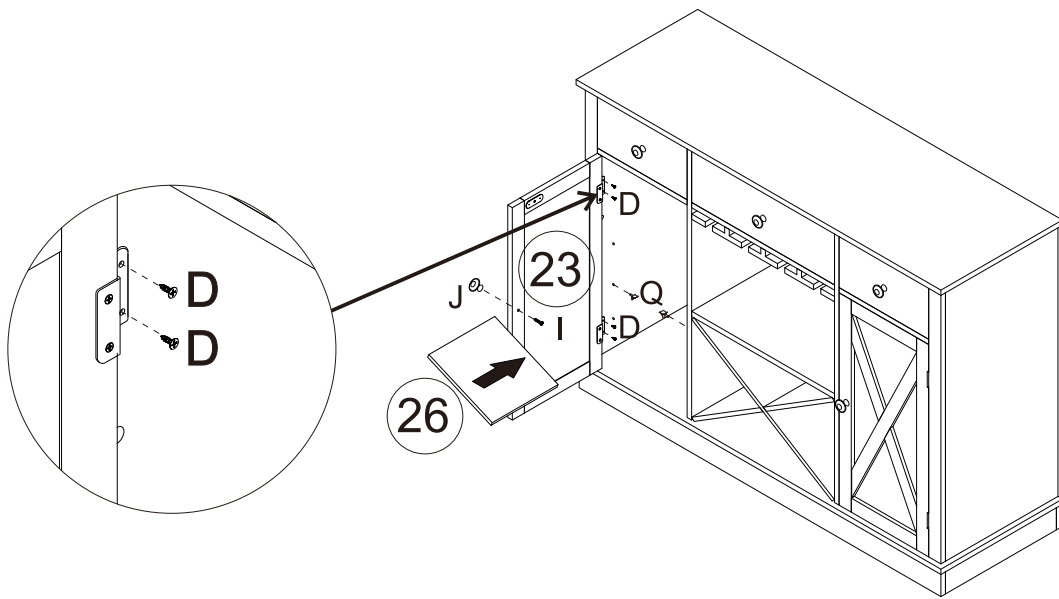
D x 10
K x 4
P x 2



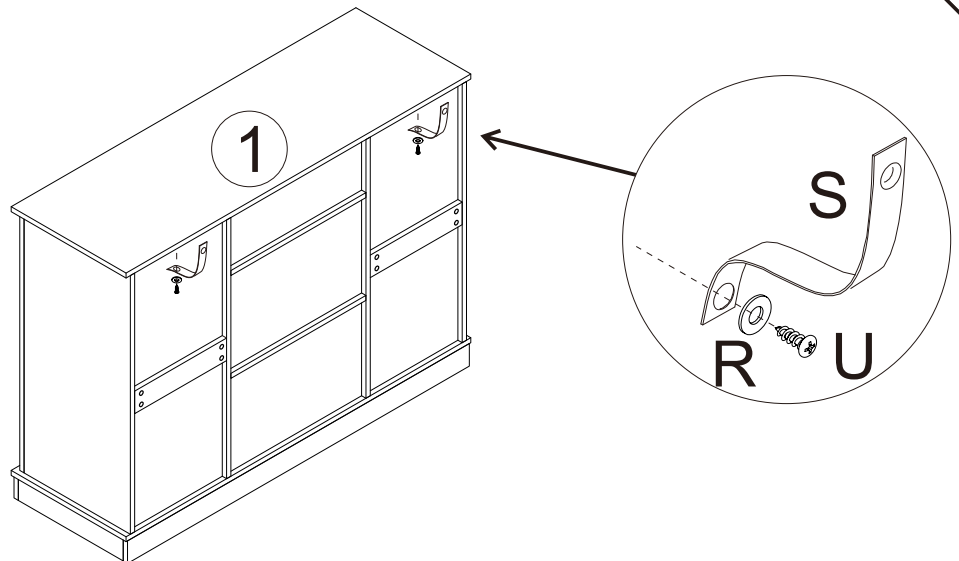
- D x 4
- I x 1
- J x 1
- Q x 4



- D x 4
- I x 1
- J x 1
- Q x 4

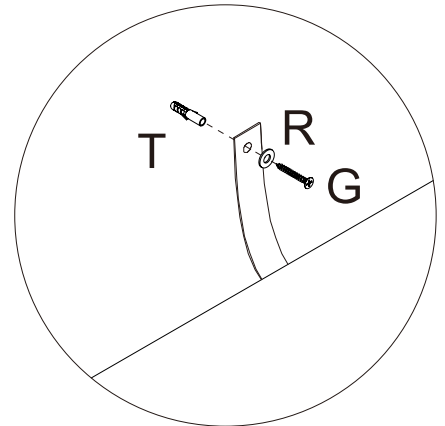
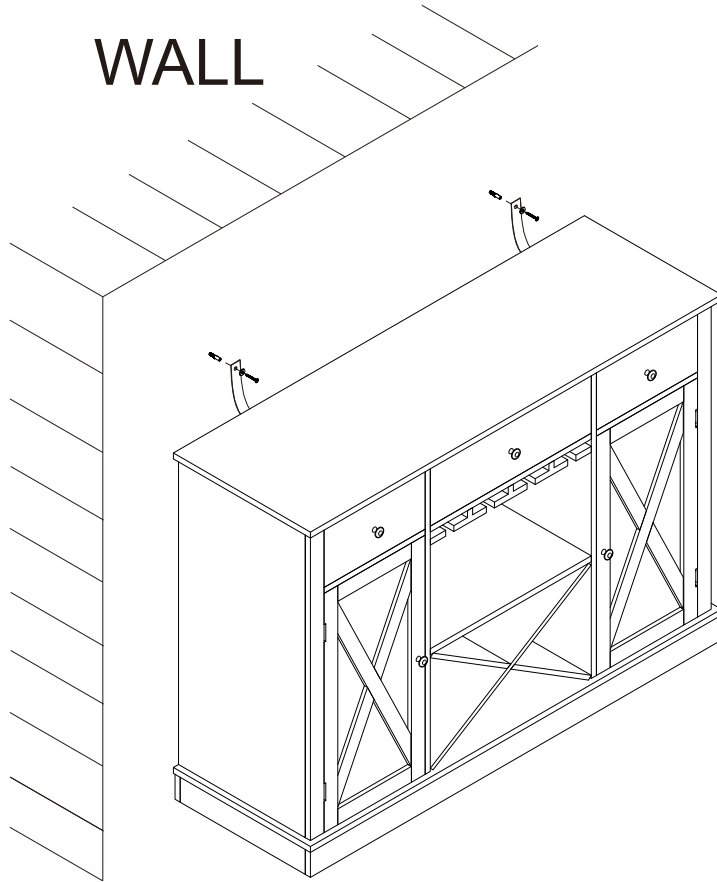


- U x 2
- R x 2
- S x 2



Gx2
Tx2
Rx2

WALL



Done

