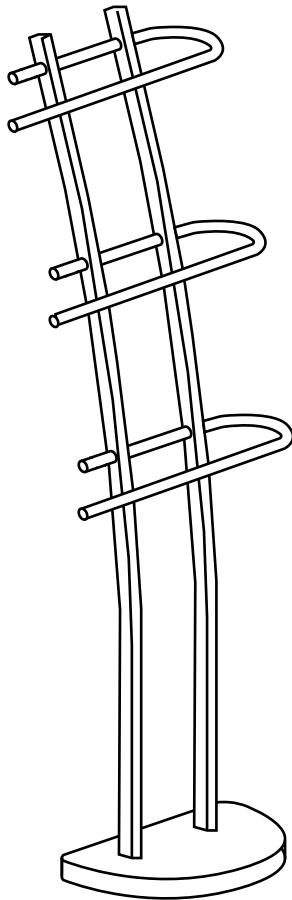
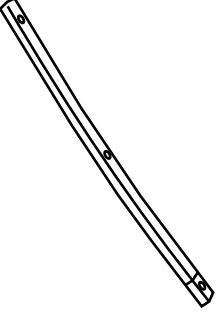
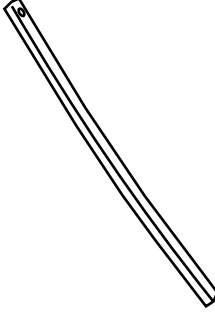

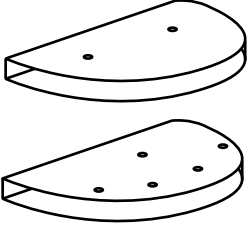
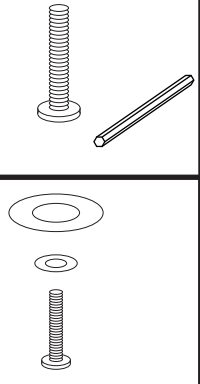


# Towel Holder

## ASSEMBLY INSTRUCTIONS



# Parts List

 <p>Ax2</p>	 <p>Bx2</p>	 <p>Cx3</p>	 <p>D</p>	 <p>Ex6</p> <p>Fx2</p>
--	--	--	---	---

# Assembly Steps

