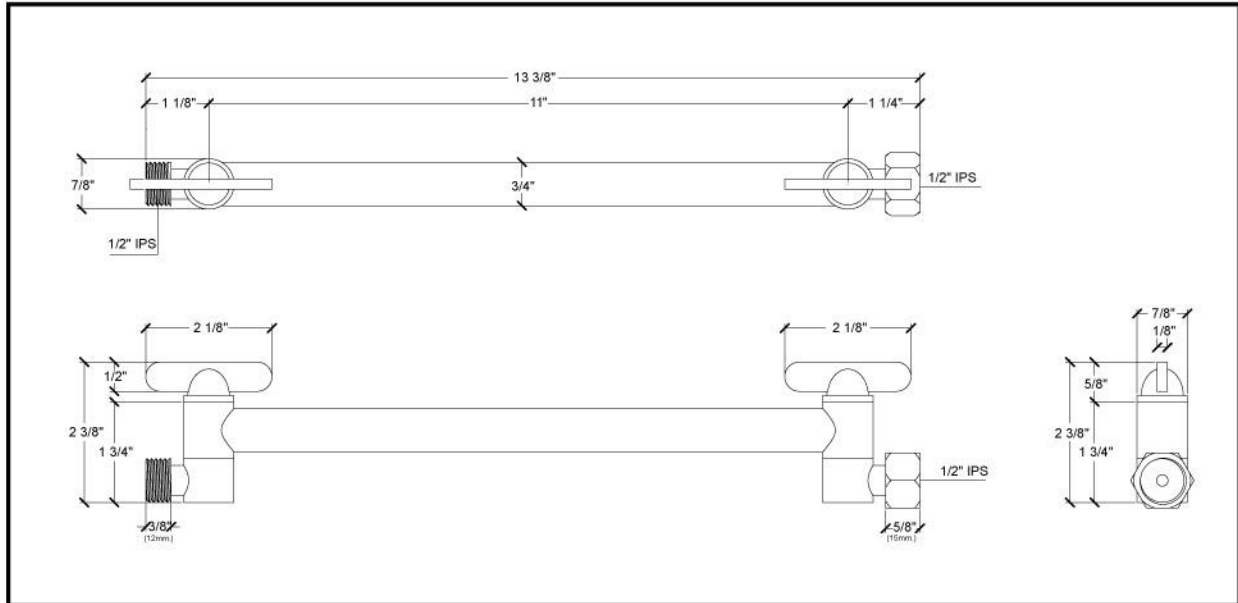
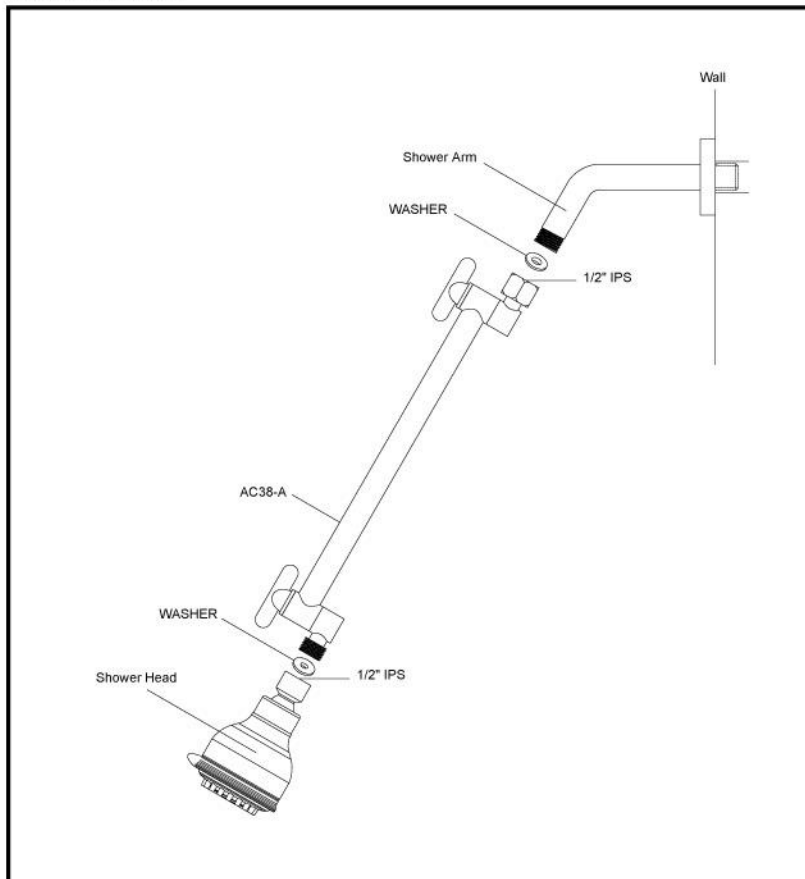


# AC38-A-N : 14" Swivel Shower Arm - Satin Nickel

## Dimension



## Installation



### Installation Instruction:

1. Remove Shower Head.
2. Apply included Plumber's Tape to Shower Arm.
3. Screw Diverter on to Shower Arm. Apply Plumber's Tape to Diverter Fittings.
4. Attach Shower Head and Shower Hose to Diverter. Be sure to use rubber washers in both Shower Head and Shower Hose Fittings.