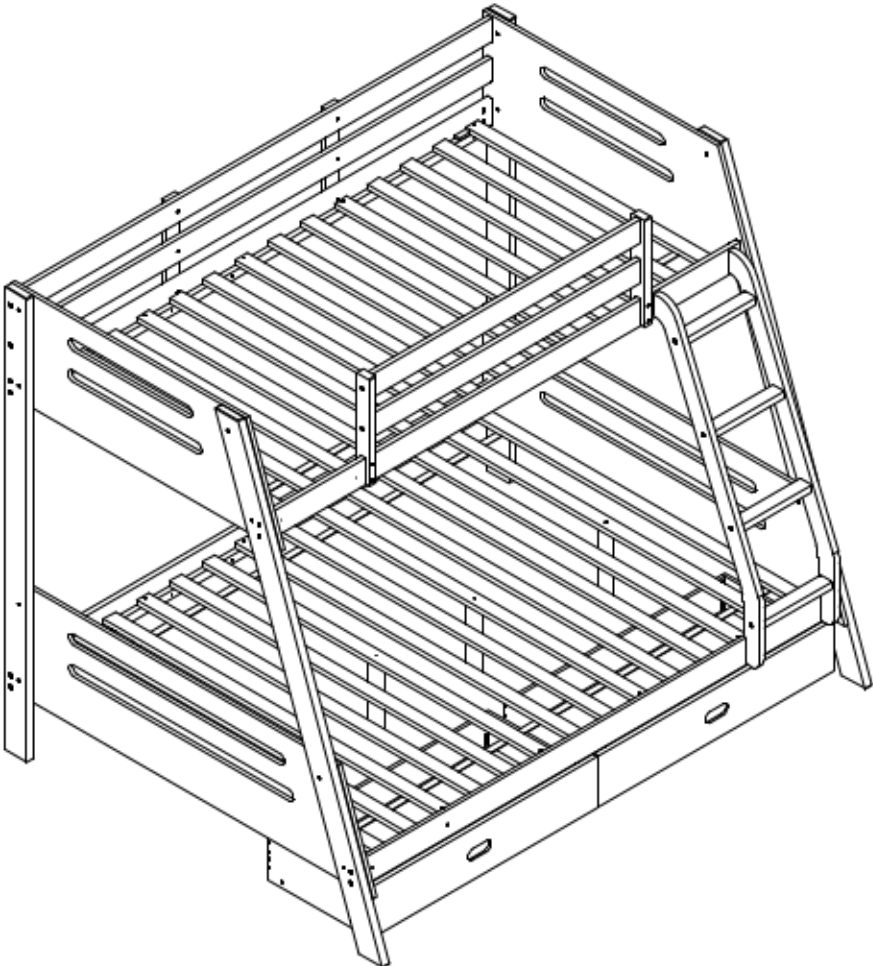
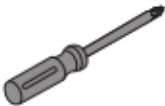


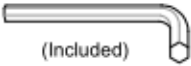
ASSEMBLY INSTRUCTIONS



TOOLS REQUIRED



Screwdriver
(Not included)



(Included)
Allen Wrench



2 - People

ASSEMBLY RATING



EASY —————> DIFFICULT

The Assembly Rating is a 5-point system showing the level of effort needed to assemble a specific product.



CHECK BEFORE STARTING

Are you missing anything?

Double-check all parts, hardware and accessories listed are all accounted for.

Check out our Quick Tips!

We recommend reviewing the pre-assembly handouts. Even experts need a refresher now and then!

Should we send any replacements?

Are there any irregularities or flaws in the parts? We can send replacements!

Prep Time!

Please review the assembly instructions and all diagrams prior to assembling.

PRE ASSEMBLY INTRODUCTION

We understand building ready-to-assemble furniture can be a challenging experience for some. To help avoid confusion, we have provided some helpful tips that may speed up the process.



Teamwork

ALWAYS have at least two people to help with transporting and assembling the product to avoid potential injury and/or damage.



Suitable Location

Assembling near the area of the intended location is highly recommended.



Sufficient Space

Make sure you have enough space to move around during the assembly.



Avoid Scratches

Use cardboard, blankets or a carpeted area while assembling furniture to prevent to prevent scratches and damages.



Flat Surface

Make sure the furniture rests on a flat and level surface with each leg evenly touching the floor.

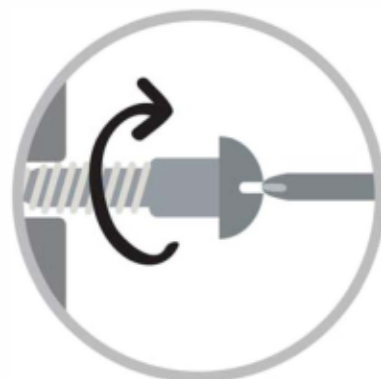
ASSEMBLY AND CARE ADVICE



FAILURE TO FOLLOW THE GUIDELINES BELOW MAY RESULT IN INJURY AND/OR PROPERTY DAMAGE.



Position each part correctly and insert screws or bolts into their respective holes.



Turn clockwise to tighten and only tighten when step is completed or when instructed to do so.



Use the appropriate hand tools or power tools for assembly. Select steps, such as tightening screws and/or bolts, may require hand tools to avoid causing damage during assembly.



Save the instructions and store any supplied tools for later maintenance.



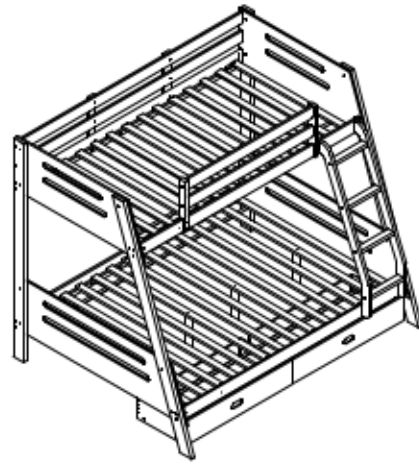
After two weeks, check and tighten any loose hardware and repeat again every six months thereafter.

IT IS THE USER'S RESPONSIBILITY TO MAINTAIN THE FURNITURE. THE HARDWARE MAY LOOSEN OVER TIME AND MAY CAUSE THE FURNITURE TO BE WOBBLY AND UNABLE TO SUPPORT ITS INTENDED WEIGHT CAPACITY. THIS MAY LEAD TO COLLAPSE AND MAY CAUSE SERIOUS INJURY.









BUNK BED











- Please keep instructions for future reference.
- Check the quantity and irregularity of parts and hardware before you start.

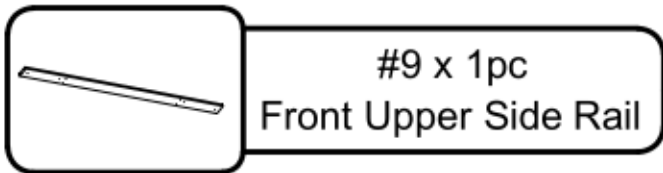


Parts List

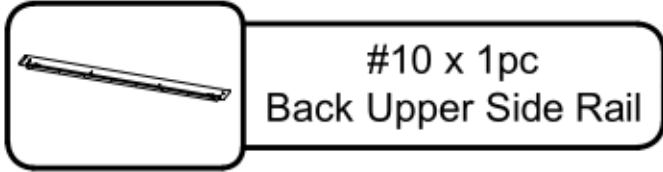
	#1 x 1pc Left Back Post
	#2 x 1pc Left Front Post
	#3 x 1pc Left Upper Panel (Small)
	#4 x 1pc Left Lower Panel (Big)
	#5 x 1pc Right Back Post
	#6 x 1pc Right Front Post
	#7 x 1pc Right Upper Panel (Small)
	#8 x 1pc Right Lower Panel (Big)

Hardware List

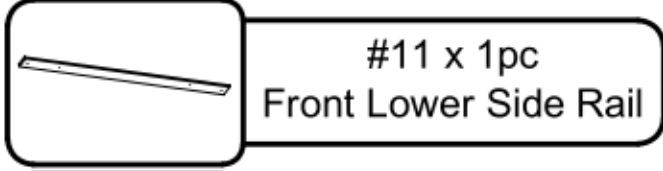
	#Ax 16pcs Long Bolt: Ø1/4" x 3"
	#Bx 8pcs Screw Bolt: Ø1/4" x 2"
	#Cx 26pcs Short Bolt: Ø1/4" x 1-1/8"
	#Dx 16pcs Medium Bolt: Ø1/4" x 1-1/2"
	#Ex 26pcs Threaded Insert: Ø1/4" x 1"
	#Fx 78pcs Screw: Ø5/32" x 1- 1/4"
	#Gx 24pcs Wood Dowel: Ø3/8" x 1-1/8"
	#H x 2pcs Allen Key (M4)



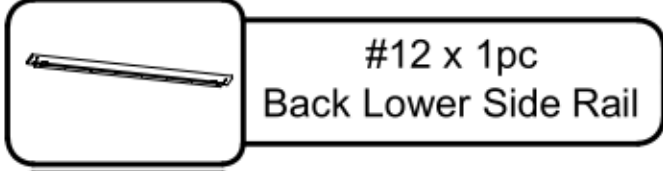
#9 x 1pc
Front Upper Side Rail



#10 x 1pc
Back Upper Side Rail



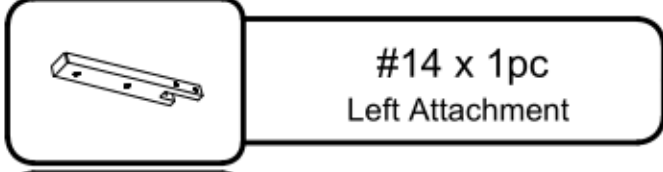
#11 x 1pc
Front Lower Side Rail



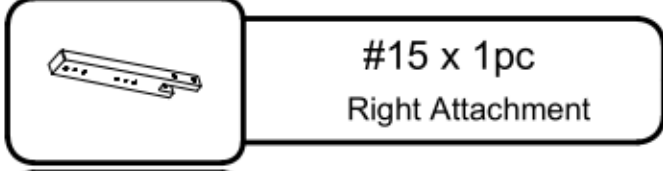
#12 x 1pc
Back Lower Side Rail



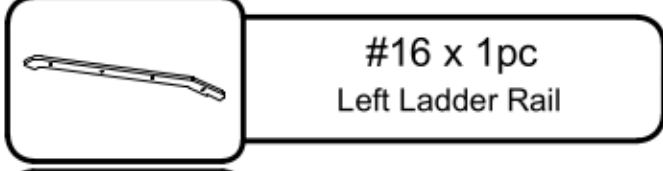
#13 x 2pcs
Guardrail Support



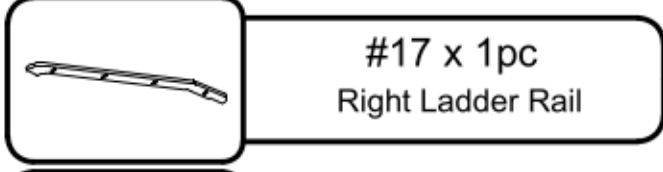
#14 x 1pc
Left Attachment



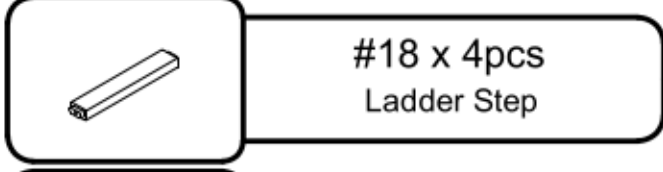
#15 x 1pc
Right Attachment



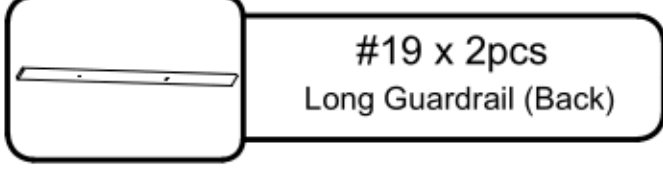
#16 x 1pc
Left Ladder Rail



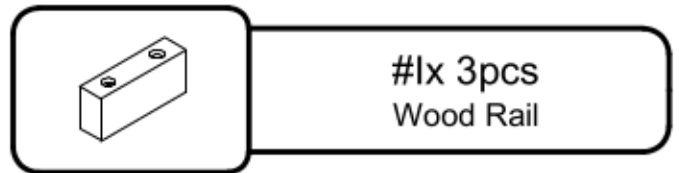
#17 x 1pc
Right Ladder Rail



#18 x 4pcs
Ladder Step



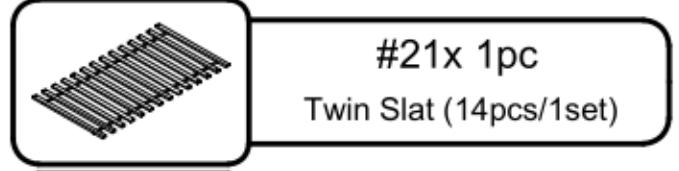
#19 x 2pcs
Long Guardrail (Back)



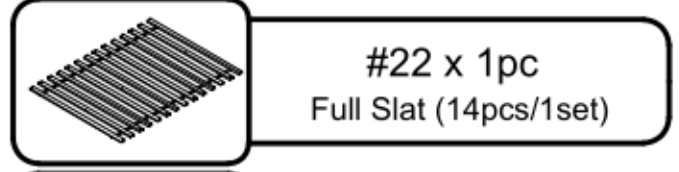
#1x 3pcs
Wood Rail



#20 x 2pcs
Short Guardrail (Front)



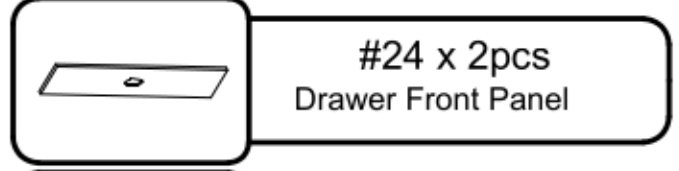
#21x 1pc
Twin Slat (14pcs/1set)



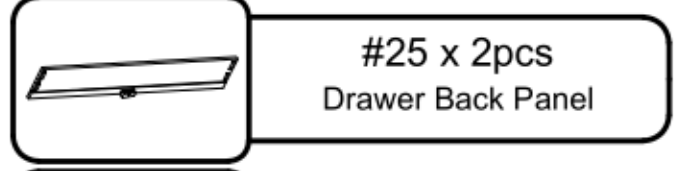
#22 x 1pc
Full Slat (14pcs/1set)



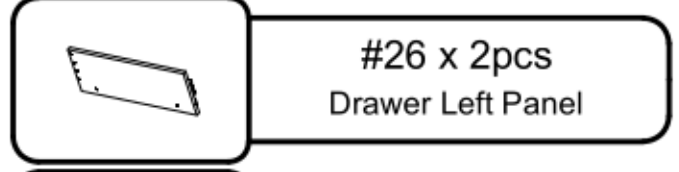
#23 x 4pcs
Bed Slat Support With Levelier



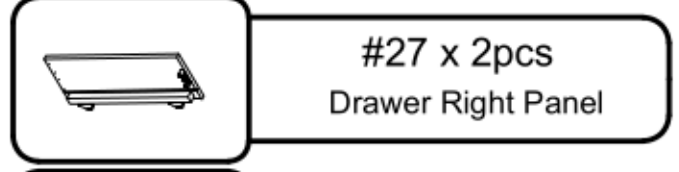
#24 x 2pcs
Drawer Front Panel



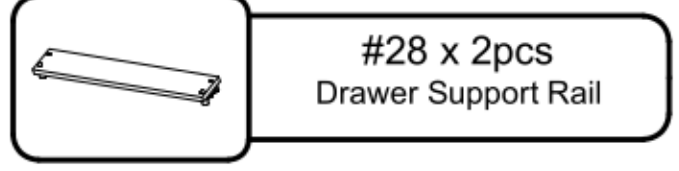
#25 x 2pcs
Drawer Back Panel




#26 x 2pcs
Drawer Left Panel

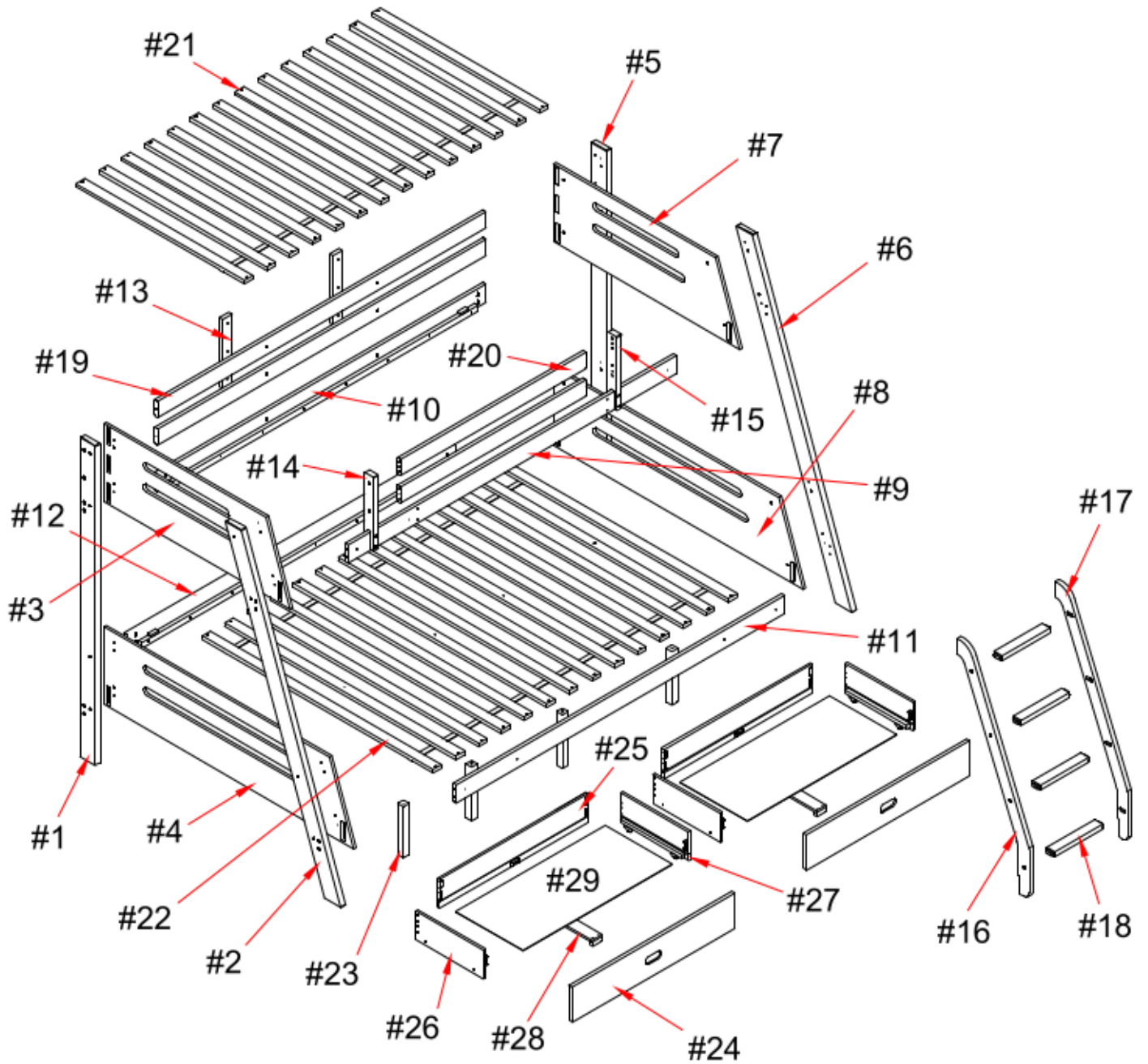


#27 x 2pcs
Drawer Right Panel





























#28 x 2pcs
Drawer Support Rail





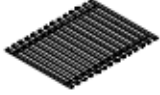







 #29 x 2pcs
Drawer Bottom Panel



is packed in 2 cases

Carton	Disignation	Part	Hardware
	Left Back Post	#1 	
	Left Front Post	#2 	
	Left Upper Panel	#3 	
	Left Lower Panel	#4 	 #A x 16pcs
	Right Back Post	#5 	 #B x 8pcs
	Right Front Post	#6 	 #C x 26pcs
	Right Upper Panel	#7 	 #D x 16pcs
	Right Upper Panel	#8 	 #E x 26pcs
	Front Upper Side Rail	#9 	 #F x 78pcs
	Back Upper Side Rail	#10 	 #G x 24pcs
	Front Lower Side Rail	#11 	 #H x 2pcs
	Back Lowes Side Rail	#12 	 #I x 3pcs
	Guardrail Support	#13 	
	Left Attachment	#14 	
	Right Attachment	#15 	
	Left Ladder Rail	#16 	
	Right Ladder Rail	#17 	

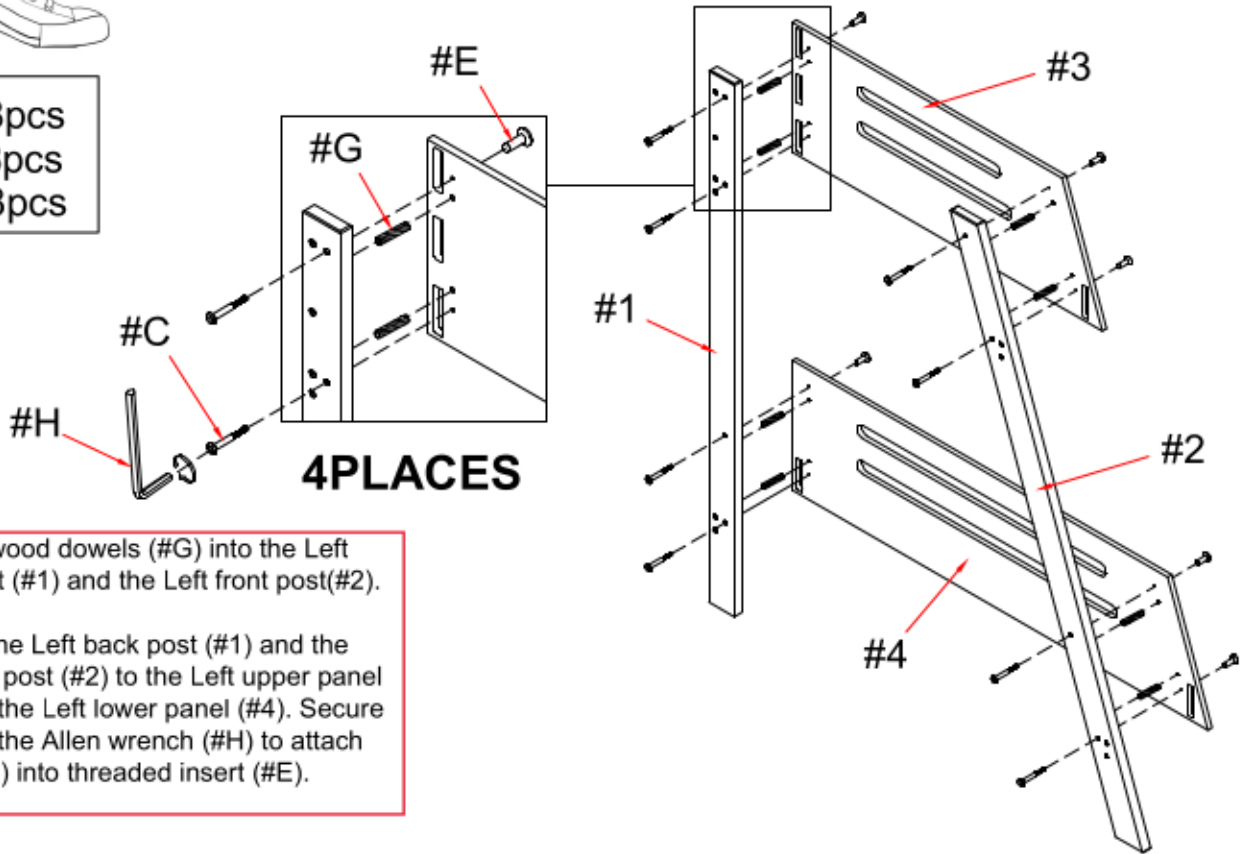
is packed in 2 cases

Carton	Disignation	Part	Part	Hardware
	Ladder Step	#18		
	Long Guardrail	#19		
	Short Guardrail	#20		
	Twin Slat	#21		
	Full Slat	#22		
	Bed Slat Support	#23		
	Drawer Front Panel	#24		
	Drawer Back Panel	#25		
	Drawer Left Panel	#26		
	Drawer Right Panel	#27		
	Drawer Support Rail	#28		
	Drawer Bottom Panel	#29		



#1

#Cx 8pcs
#Ex 8pcs
#Gx 8pcs

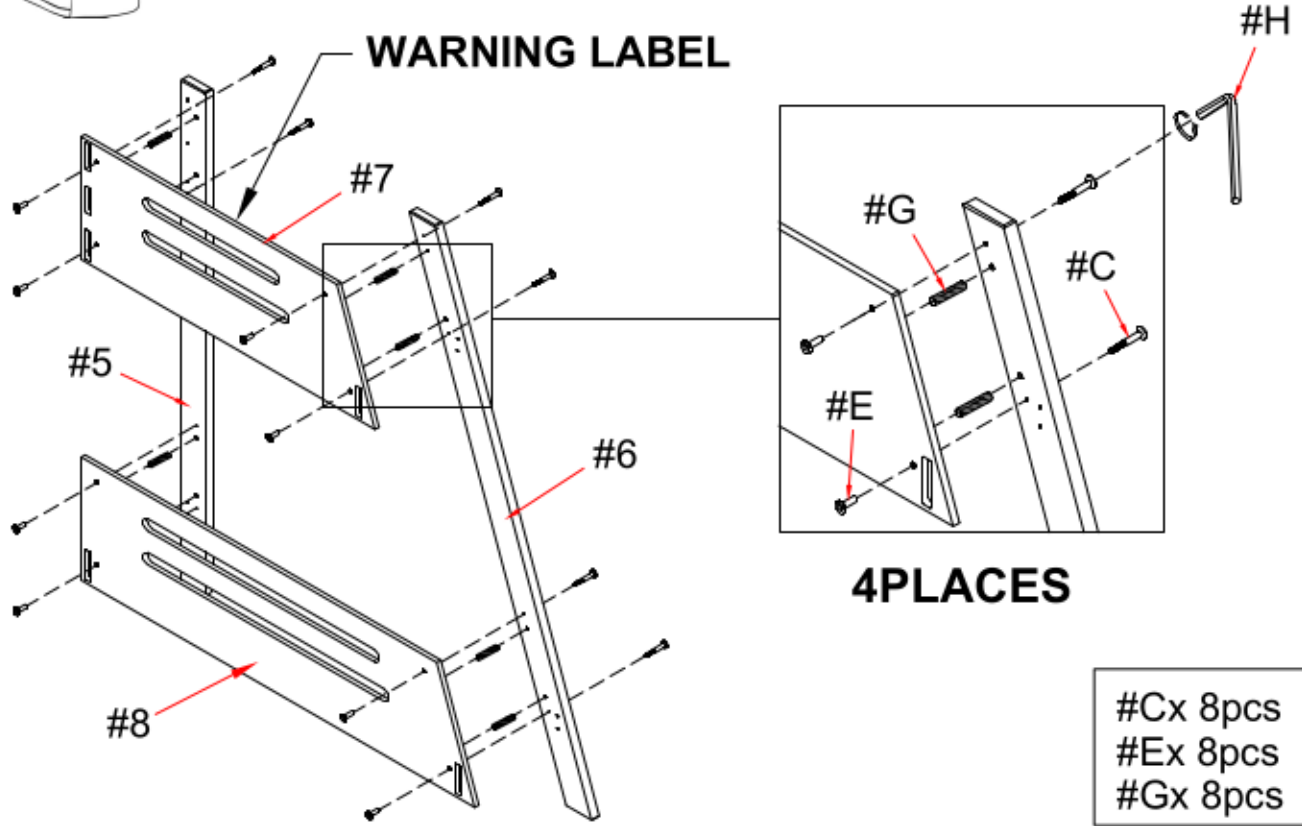


- I. Insert wood dowels (#G) into the Left back post (#1) and the Left front post (#2).
- II. Align the Left back post (#1) and the Left front post (#2) to the Left upper panel (#3) and the Left lower panel (#4). Secure by using the Allen wrench (#H) to attach Bolts (#C) into threaded insert (#E).



#2

- I. Insert wood dowels (#G) into the Right back post (#5) and the Right front post (#6).
- II. Align the Right back post (#5) and the Right front post (#6) to the Right upper panel (#7) and the Right lower panel (#8). Secure by using the Allen wrench (#H) to attach Bolts (#C) into threaded insert (#E).



#Cx 8pcs
#Ex 8pcs
#Gx 8pcs

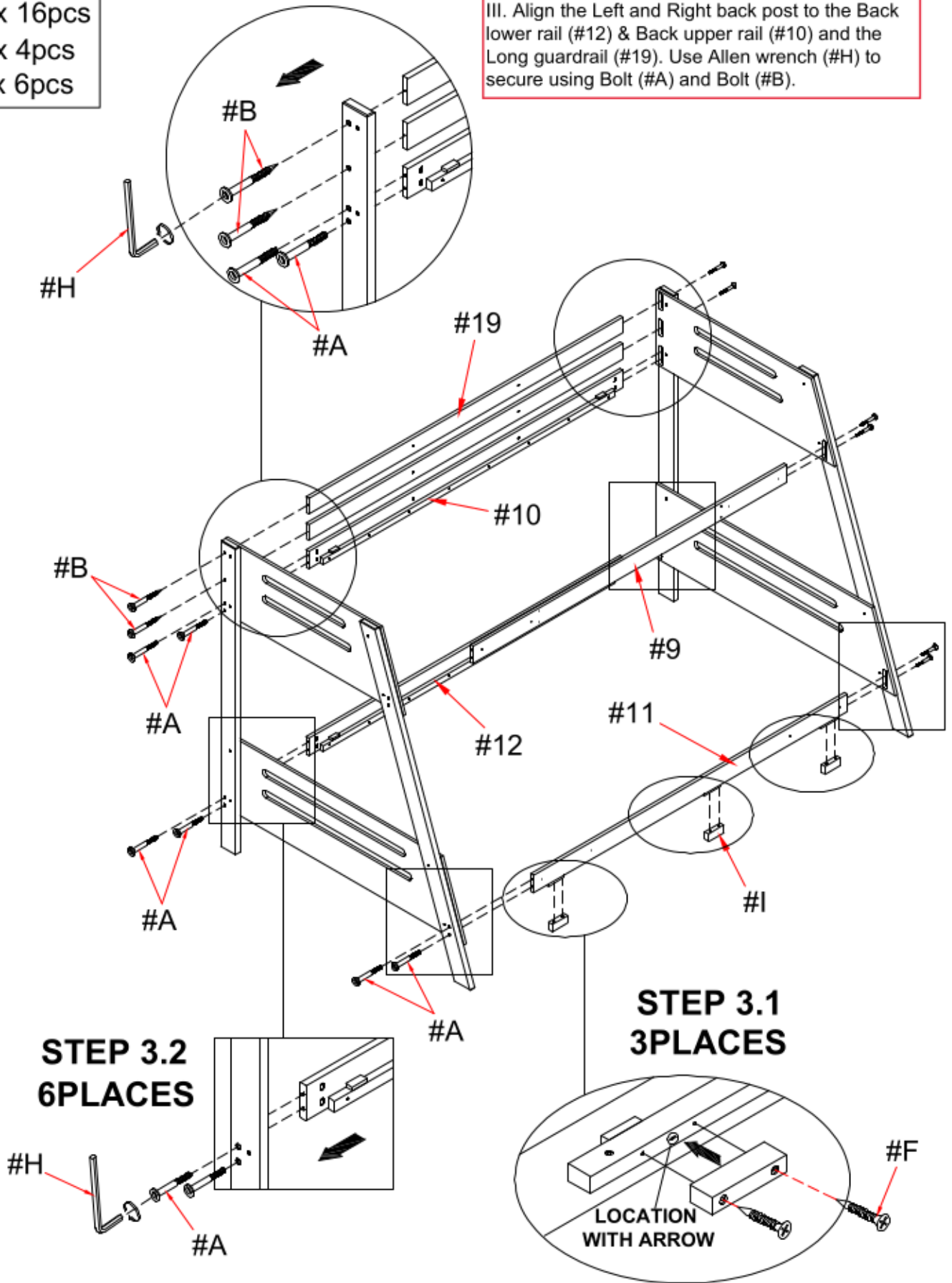


#3

#Ax 16pcs
#Bx 4pcs
#Fx 6pcs

STEP 3.3 2PLACES

- I. Insert Screw (#F) to secure the Wood rail (#1) to the Front lower rail (#11).
- II. Align the Left and Right front post (#2, #6) to the Front lower rail (#11). Use Allen wrench (#H) to secure Bolts (#A).
- III. Align the Left and Right back post to the Back lower rail (#12) & Back upper rail (#10) and the Long guardrail (#19). Use Allen wrench (#H) to secure using Bolt (#A) and Bolt (#B).



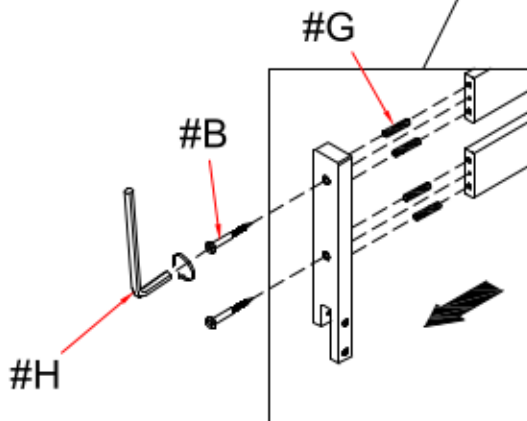
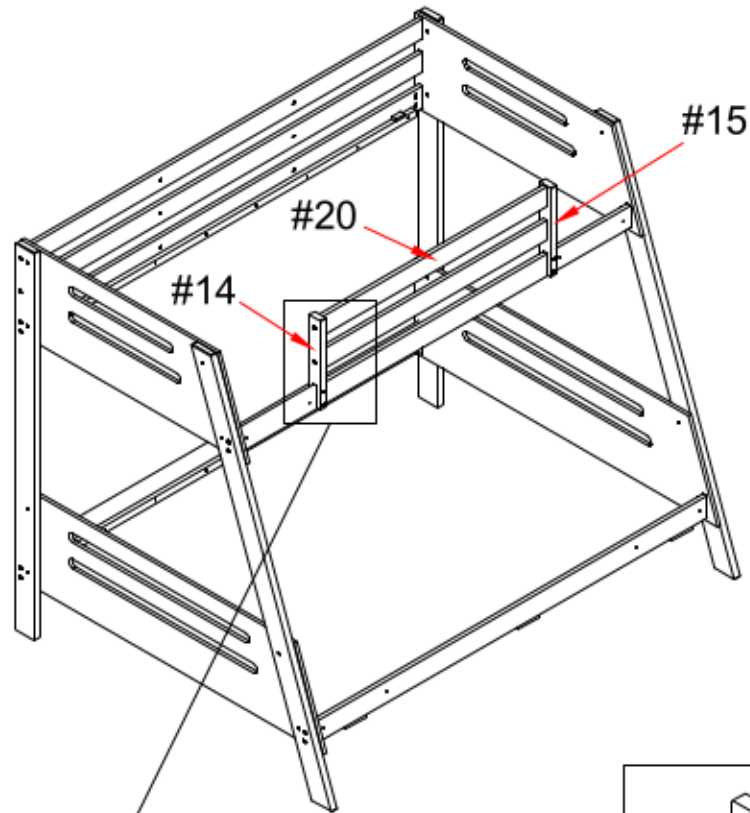
STEP 3.2 6PLACES

STEP 3.1 3PLACES

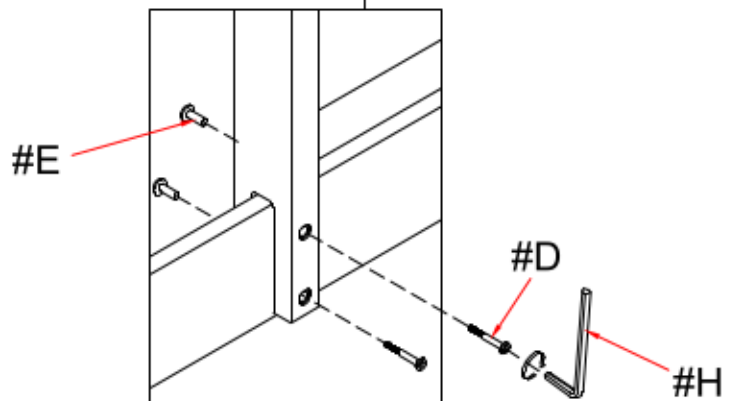
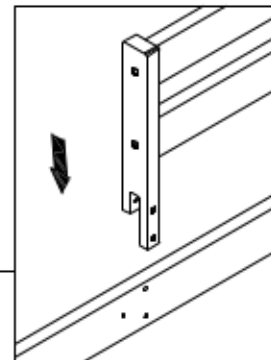


#B x 4pcs
#D x 4pcs
#E x 4pcs
#G x 8pcs

- I. Insert wood dowels (#G) into the Left attachment (#14) and the Right attachment (#15).
- II. Align the Left attachment (#14) and Right attachment (#15) to the Short Guardrail (#20). Use Allen wrench (#H) to secure using Bolts (#B).
- III. Align the Left/Right attachment (#14,#15) to the Upper front rail (#9) and secure by using Bolt (#D) with threaded insert (#E).



2PLACES

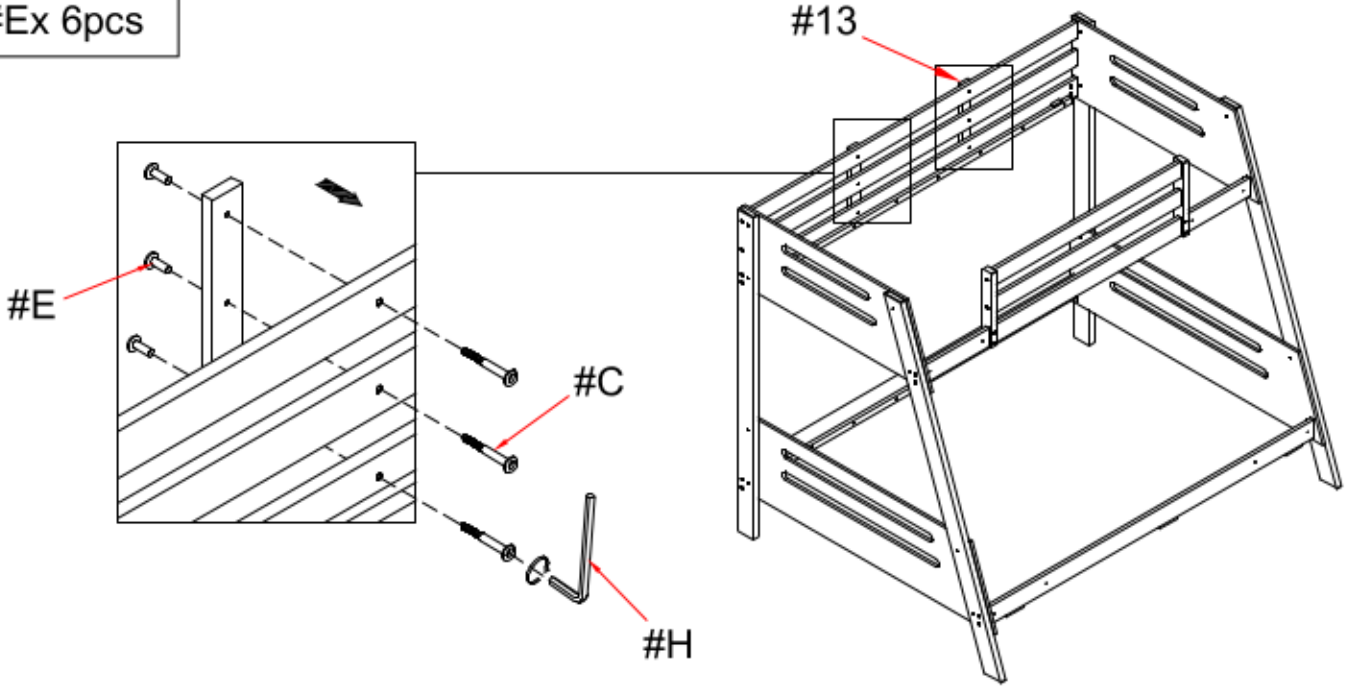


2PLACES



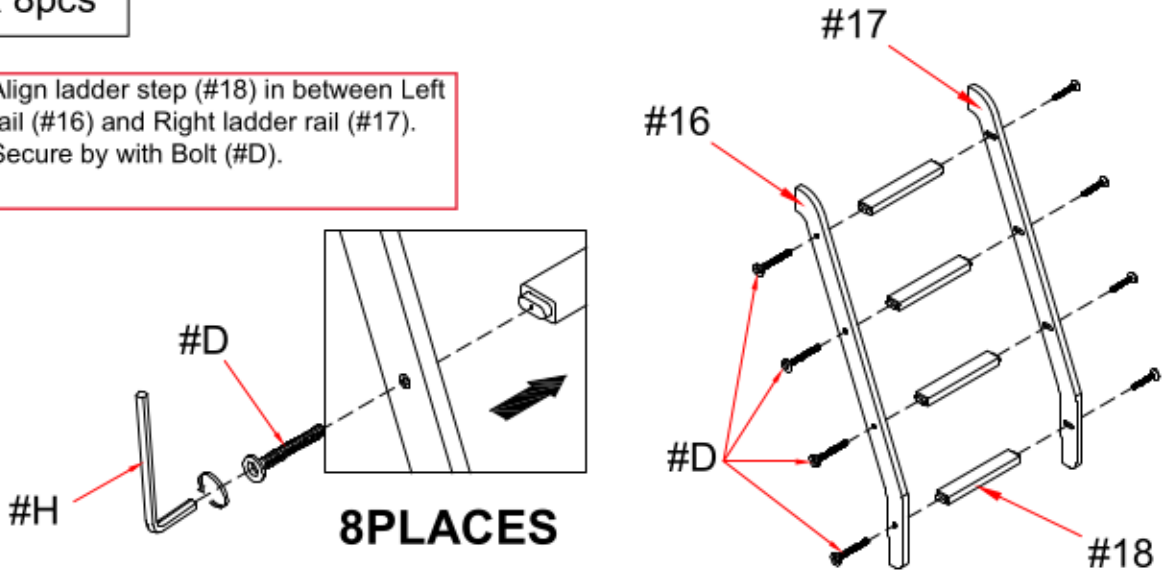
Align Guardrail support (#13) to the Long guardrail (#19) and Back rail (#10).
Secure by using Bolt (#C) with threaded insert (#E).

#Cx 6pcs
#Ex 6pcs



#Dx 8pcs

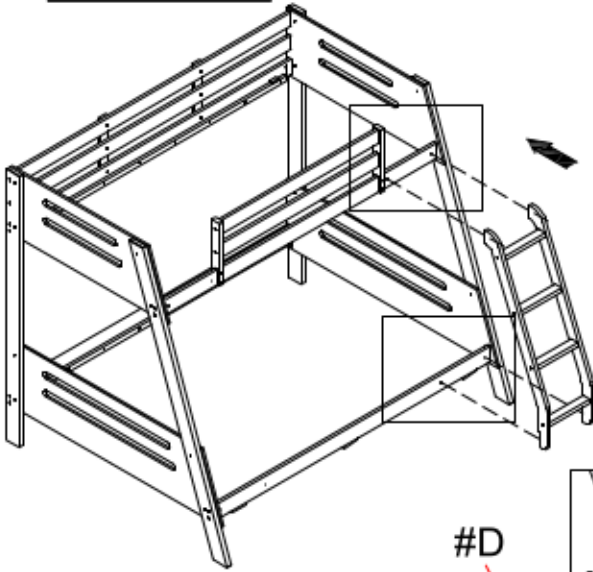
Align ladder step (#18) in between Left rail (#16) and Right ladder rail (#17).
Secure by with Bolt (#D).



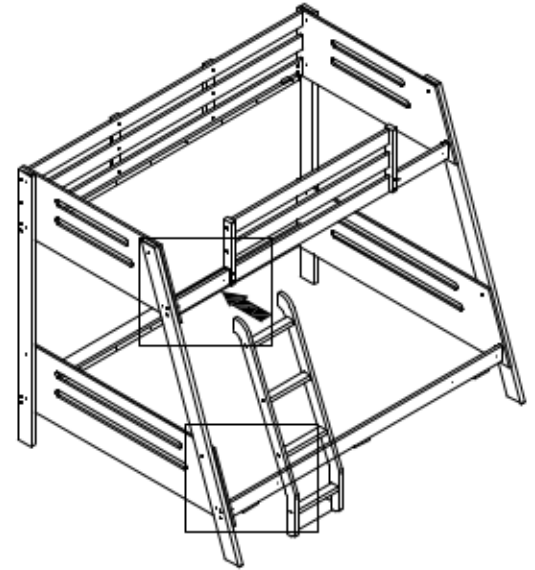


Align the ladder to bed on preferred side. Secure using Bolt (#D).

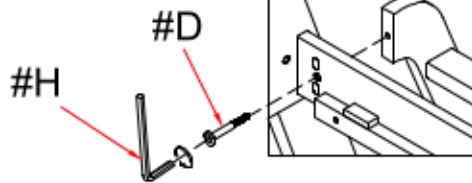
OPTION 1



OPTION 2



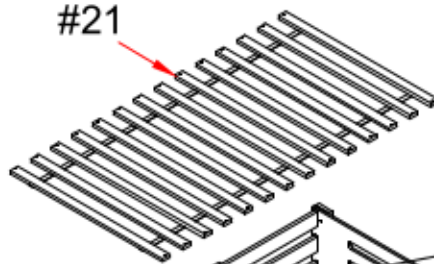
#D x 4pcs



4 PLACES

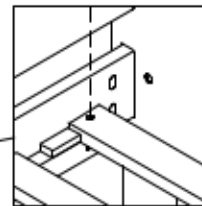


#Cx 4pcs
#Fx 56pcs



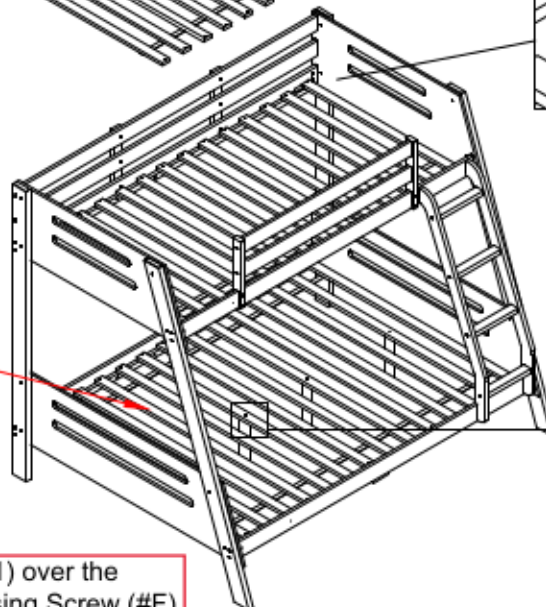
II. Attach the Bed slat support (#23) at the center of the Full slats (#22) with Bolt (#C) by using Allen wrench (#H). Spread slats (#22) over the bottom frame. Secure using screw (#F) and a Phillips screwdriver.

#F



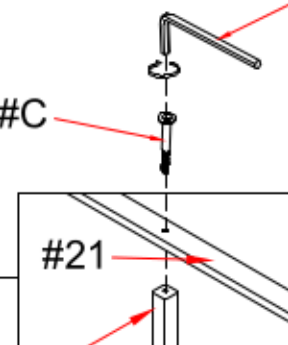
STEP 9.1
56 PLACES

#22



#C

#H



#21

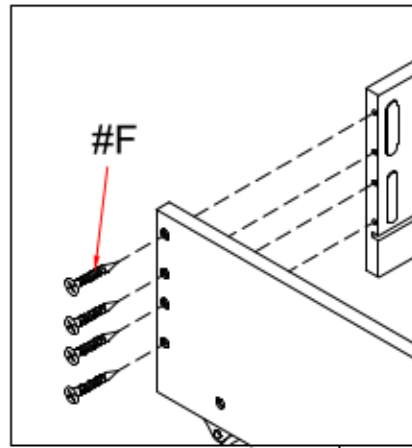
#23

STEP 9.2
4 PLACES

Spread the Twin slats (#21) over the upper frame. Secure by using Screw (#F) into the slat ends and using a Phillips screwdriver.

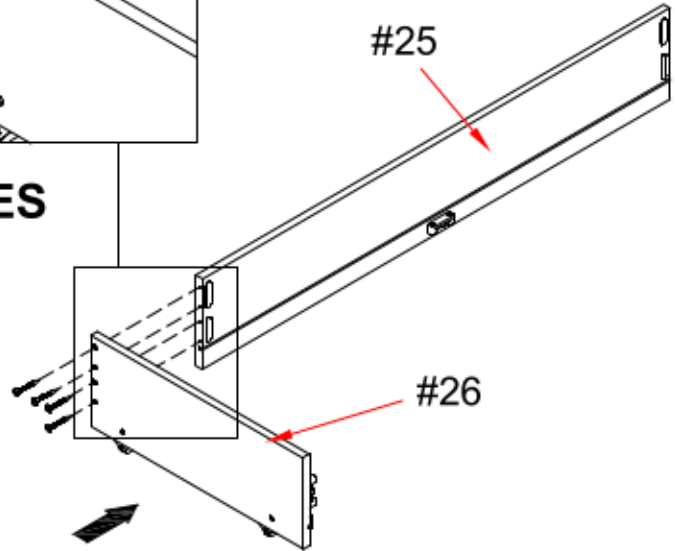


#Fx 4pcs



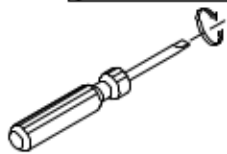
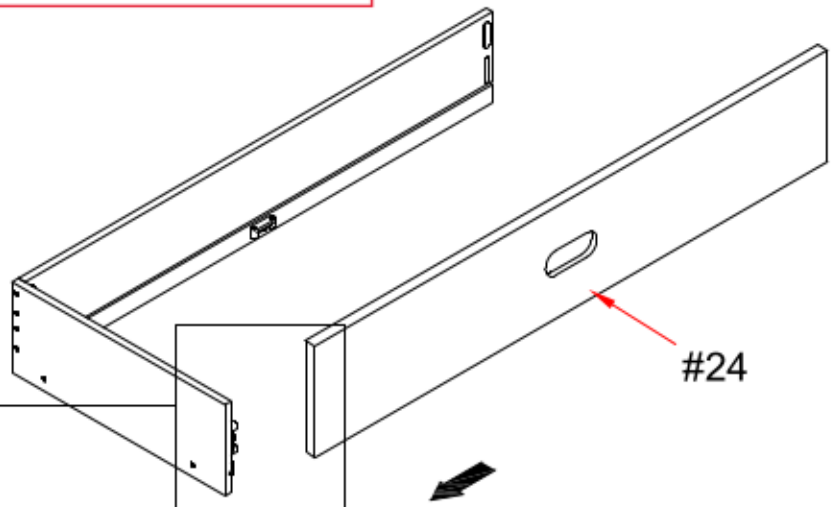
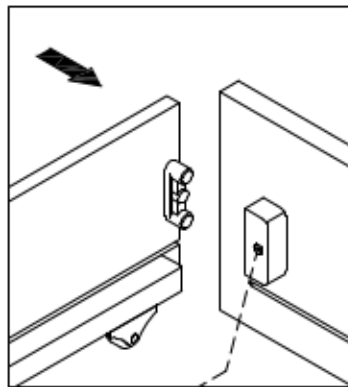
Align drawer Left panel (#26) to Drawer back panel (#25). Secure by using Screw (#F) and a Phillips screwdriver.

1PLACES



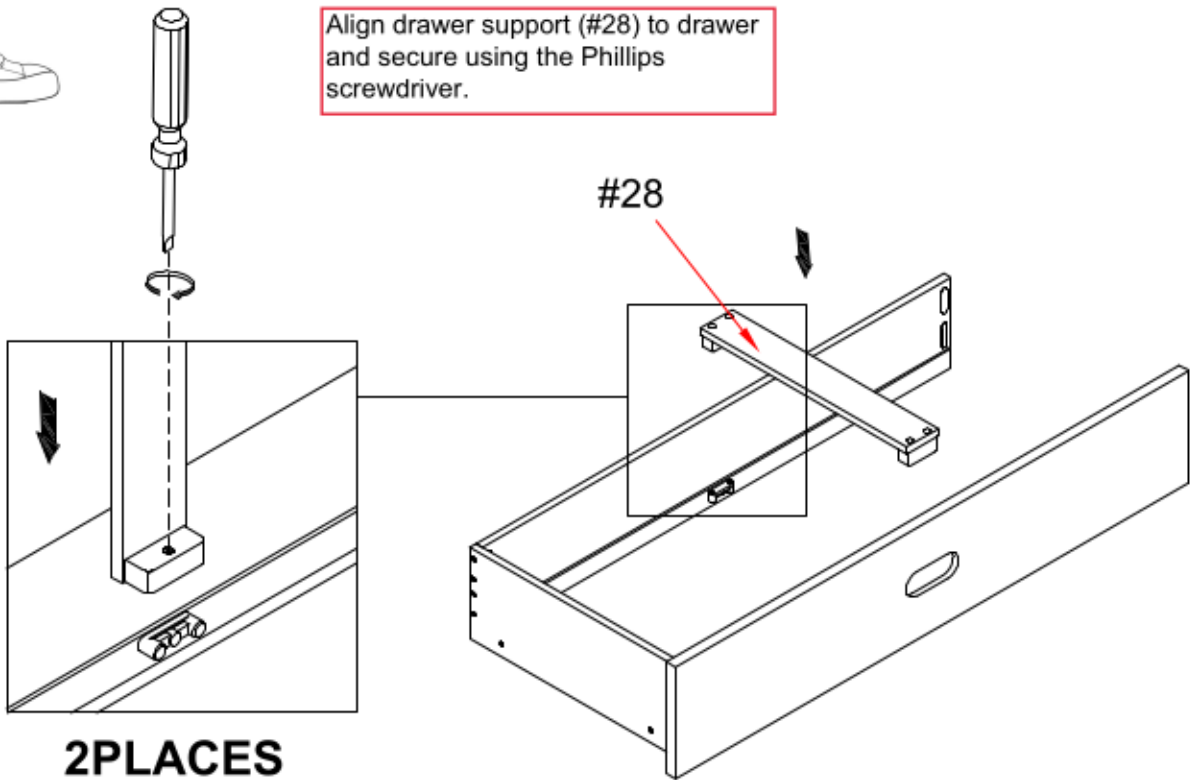
Align Drawer left panel (#26) to Drawer front panel (#24) and secure using the Phillips screwdriver.

1PLACES





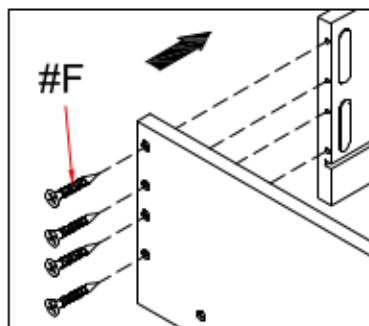
Align drawer support (#28) to drawer and secure using the Phillips screwdriver.



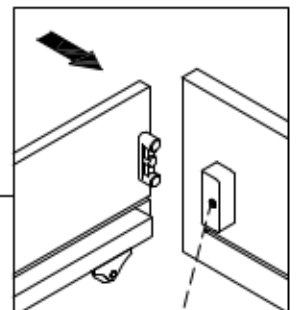
- I. Insert drawer bottom panel (#29) to center drawer.
- II. Align Drawer right panel (#27) to drawer back panel (25). Secure using Screw (#F) and secure using the Phillips screwdriver.
- III. Align drawer right panel (#27) to drawer front panel (#24) and secure using the Phillips screwdriver.

#F x 4pcs

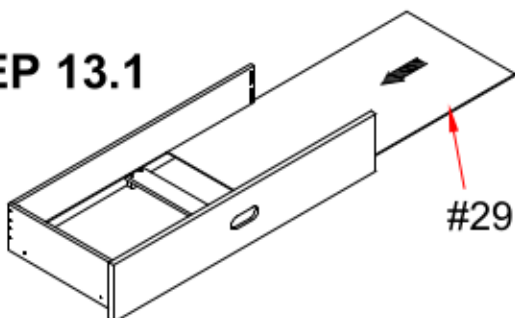
STEP 13.2

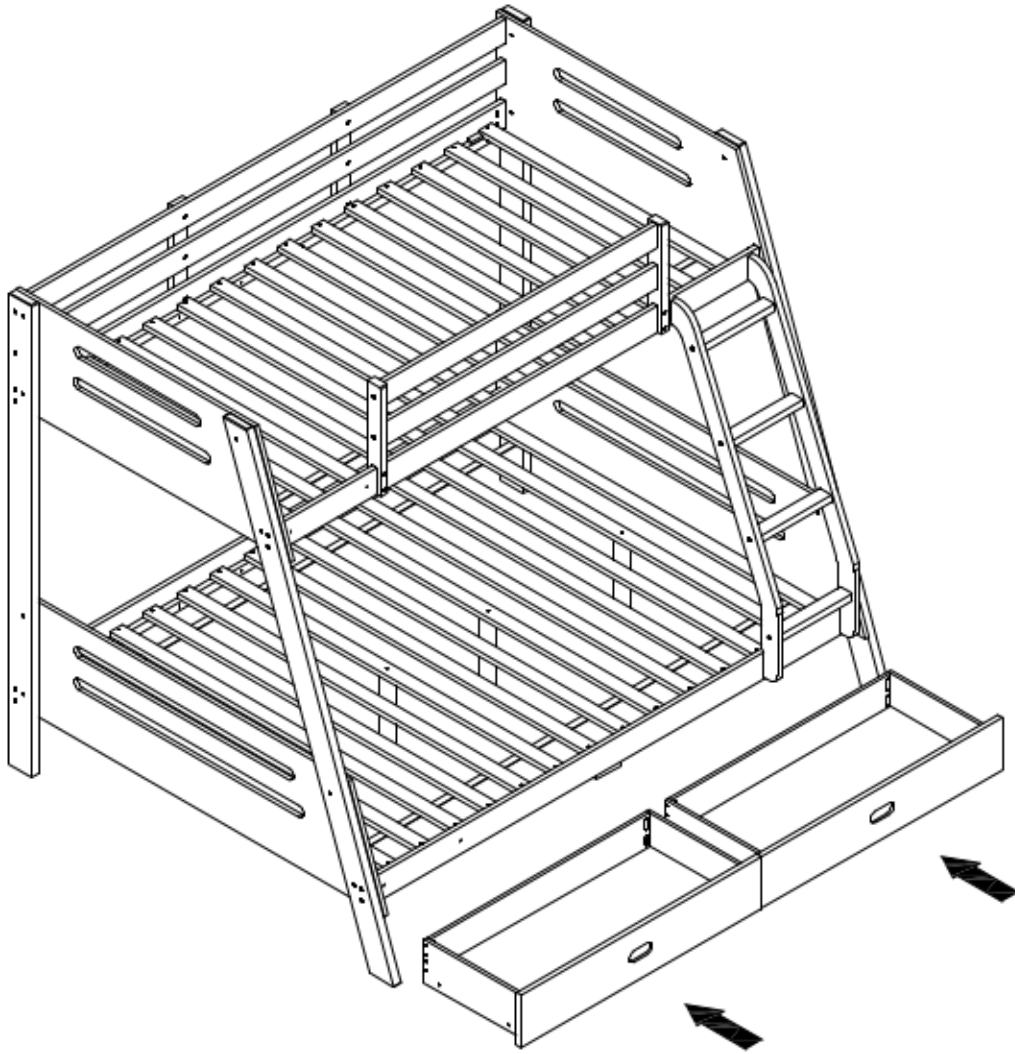


STEP 13.3



STEP 13.1

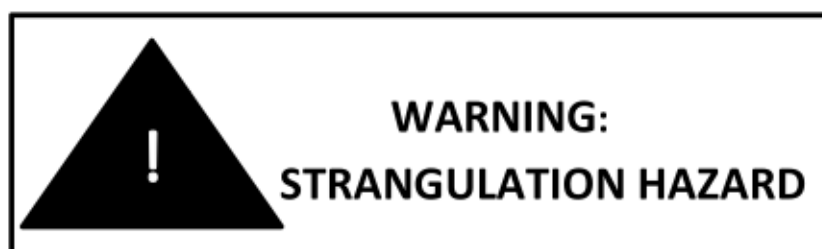




ASSEMBLY IS NOW COMPLETED

Safety Warnings for Bunk Beds

1. Read and follow the information on the WARNING labels shown on the end structure of the upper bunk and on the carton.
2. Do not remove warning labels from the bed.
3. Keep these instructions for future use.
4. **IMPORTANT:** Must use Bunkie mattress or Bunkie board. The proper sizes for the UPPER/LOWER TWIN-SIZE Bunkie mattress or Bunkie board should be 74"- 75" long and 37 ½"- 38 ½" wide with no more than 6" thickness and for the UPPER/LOWER FULL -SIZE should be 74"-75" long and 53" – 54" wide with no more than 6" thickness.
5. Surface of mattress must be at least 5 inches (127 mm) BELOW the upper edge of the guardrails.
6. The **MAXIMUM** weight capacity for the upper bunk is not to exceed 150 lbs.
7. Do not allow children under 6 years of age to use the upper bunk.
8. Periodically check and ensure that the guardrails, ladder, handle and other components are in their proper position, free from damage, and that all connectors are tightened and secured.
9. **DO NOT** allow horseplay, rough playing, or jumping on the beds and do not allow playing or hiding under the beds.
10. Always use the ladder for entering or leaving the upper bunk.
11. Do not use substitute parts. Contact the manufacturer or dealer for replacement parts.
12. Use of a nightlight may provide added safety precaution for a person using the upper bunk.
13. Always use the guardrails on both sides of the upper bunk.
14. If the bunk bed will be placed next to a wall, the guardrail that runs the full length of the bed should be placed against the wall to prevent entrapment between the bed and the wall.
15. The use of water or sleep flotation mattresses is prohibited.
16. No more than one person is allowed on the upper bunk at all times.



Objects such as, but not limited to, hanger, hooks, belts, bag, rope strings, etc. should not be hanged or used on or around the bunk bed.