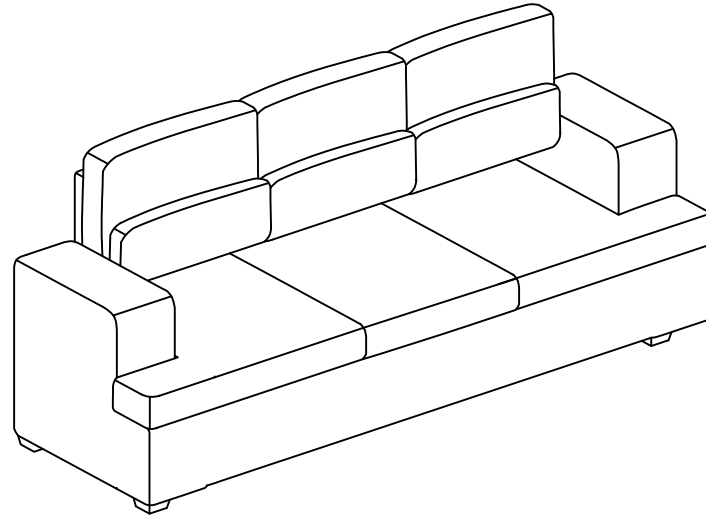


SOFA

Assembly Instruction



Dear Customers,

Thank you for purchasing our product. Please read this instruction manual carefully after receiving this product. It will help you assemble this product quickly, safely and correctly. You can keep this manual for future reference.



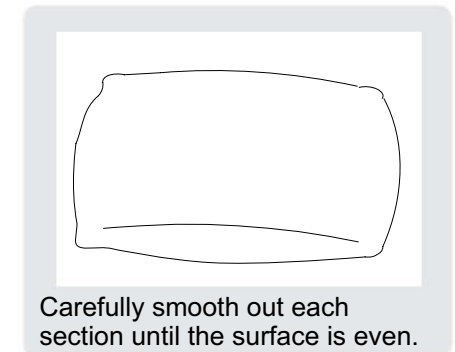
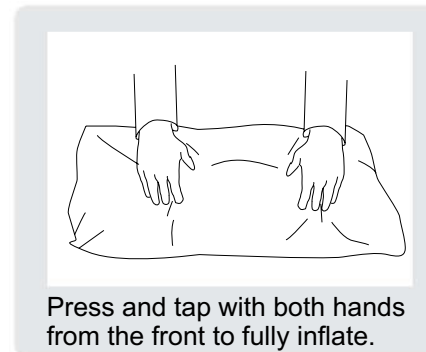
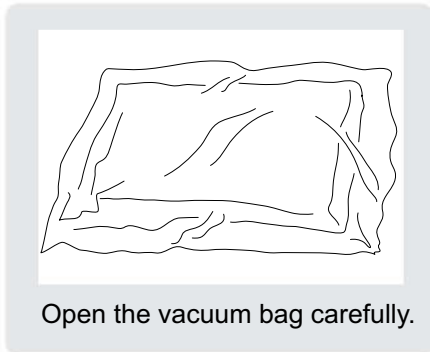
Safety and Care Advice

Important - Please read these instructions fully before starting assembly

Thanks for your purchase. Before the assembly, please follow the instructions to check if all the spare parts and screws are intact.

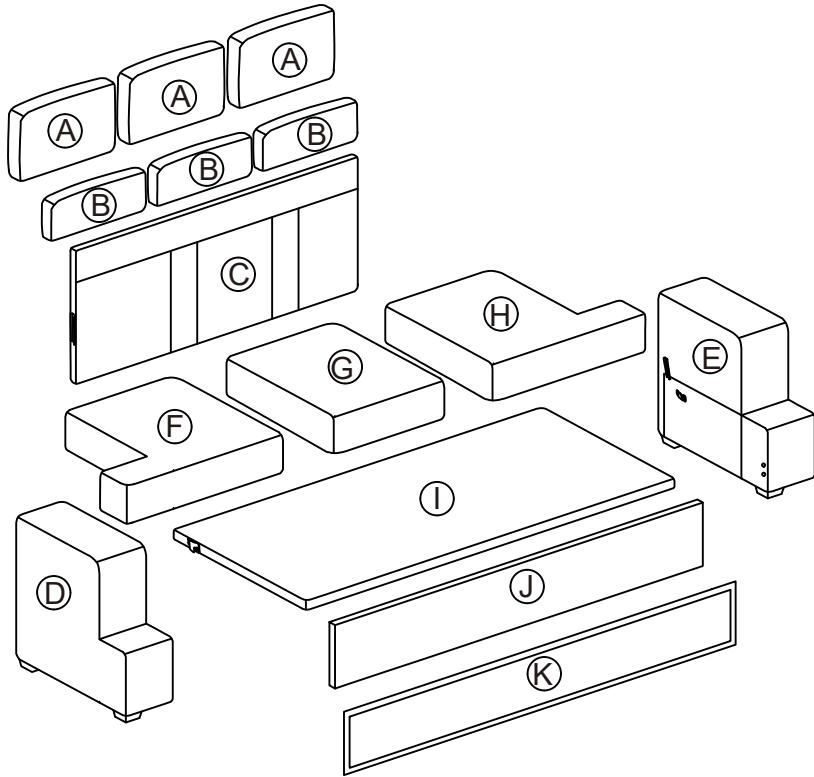
- Considering the size and weight of the sofa, we recommend two adults to assemble the sofa, on a carpeted or padded area in the room that it is intended for. Approximate assembly time: 30 minutes.
- Keep all components and packaging out of reach of children or animals to avoid the risk of choking or suffocation.
- Please do not throw away any of the packaging or instruction until all the components and hardware have been checked and the furniture is fully assembled. Please ensure that the packaging is disposed in a safe and environmentally friendly way.
- Please do not take off the cover, and do not wash.

Your cushions come vacuum packed and sealed for shipping. To restore the cushion's original shape, follow the steps below.

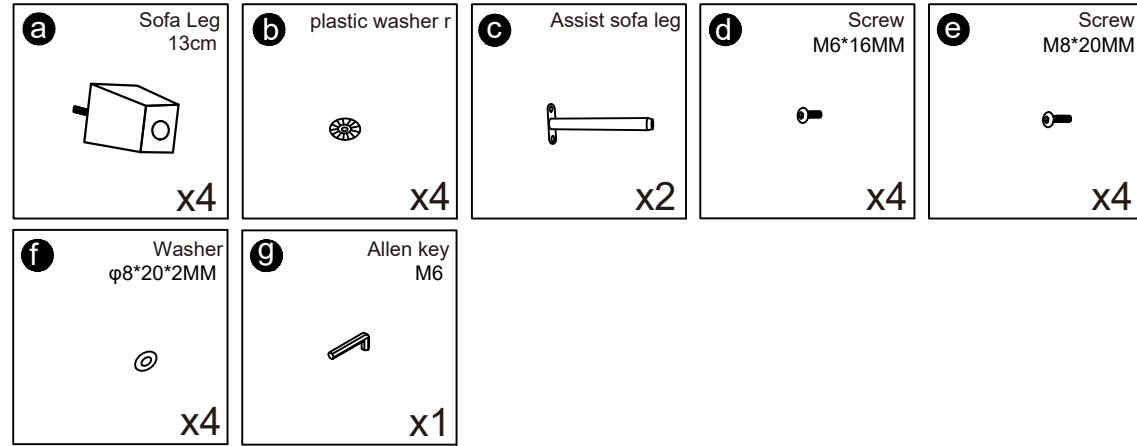


After packing up, place them somewhere dry and ventilated. After about 72-96 hours, it can be restored to its best-use condition.

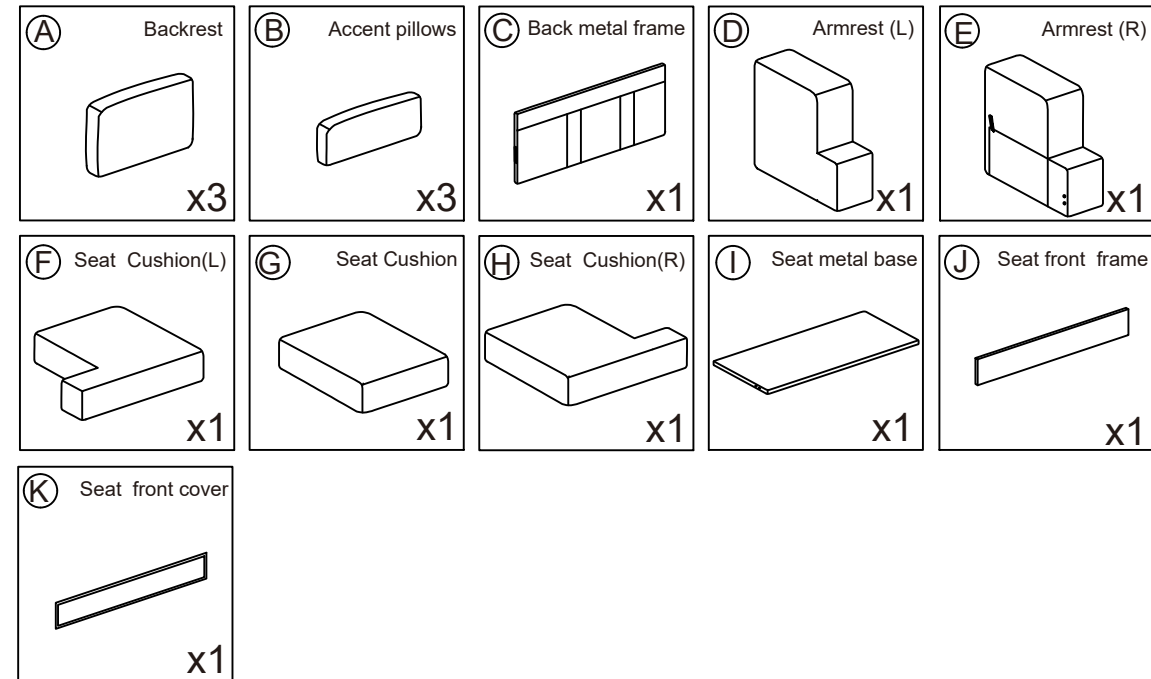
SOFA



Hardware parts

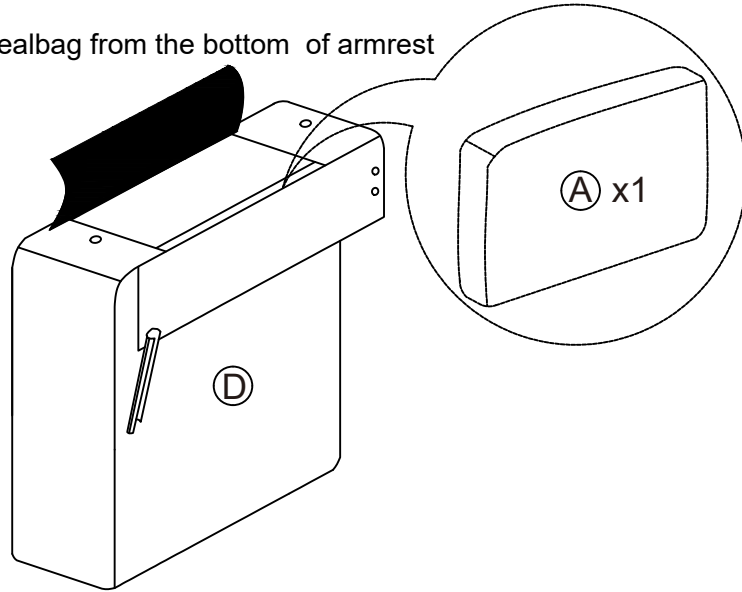


Main structure accessories



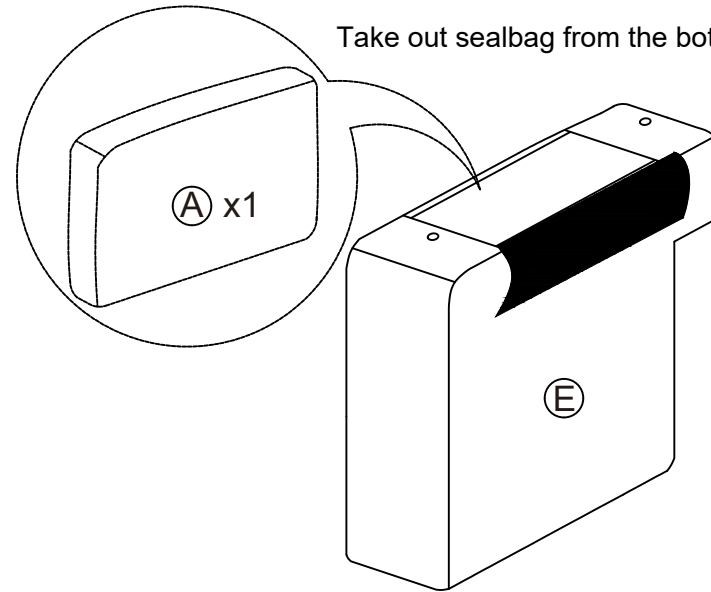
STEP 1

Take out sealbag from the bottom of armrest

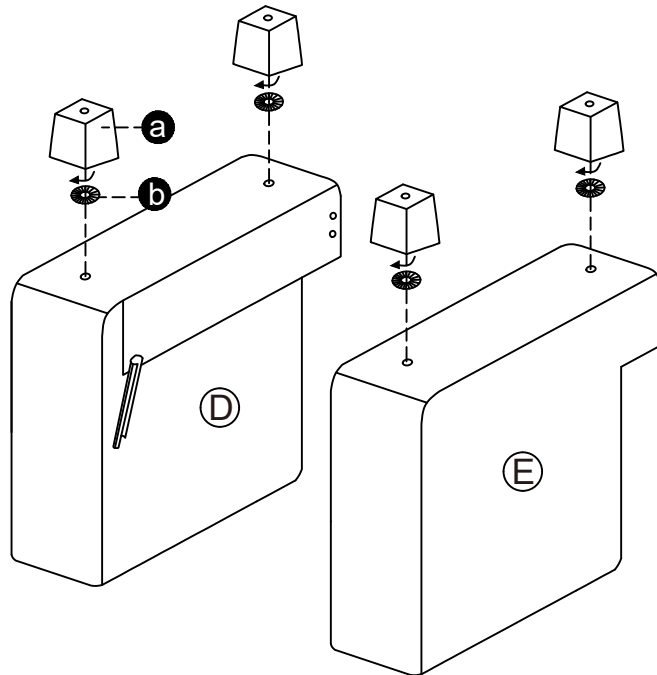


STEP 2

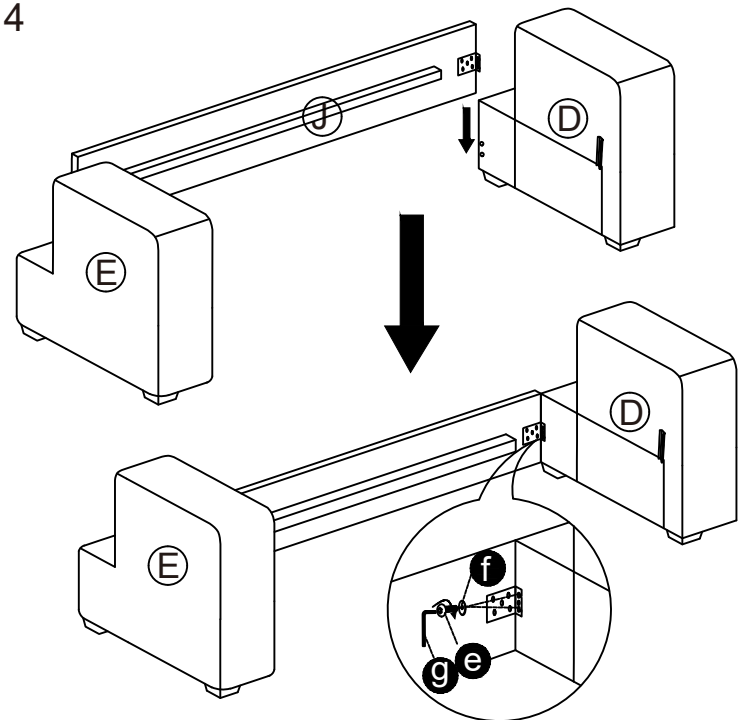
Take out sealbag from the bottom of armrest



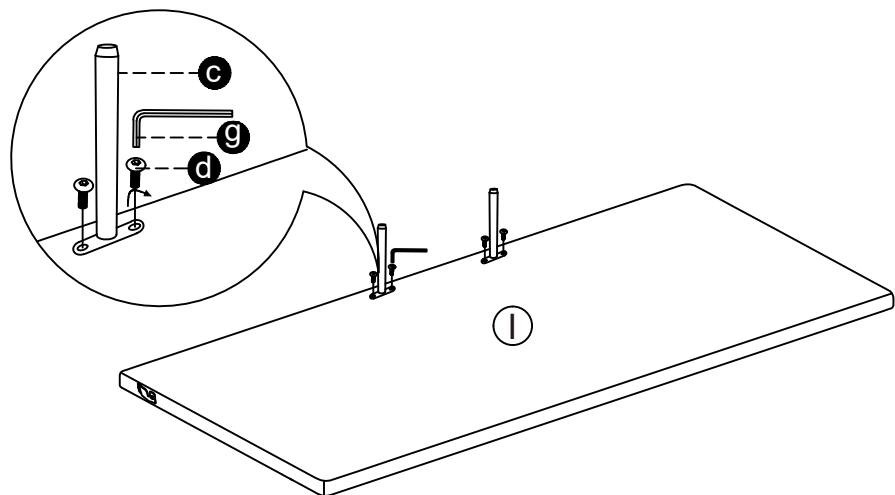
STEP 3



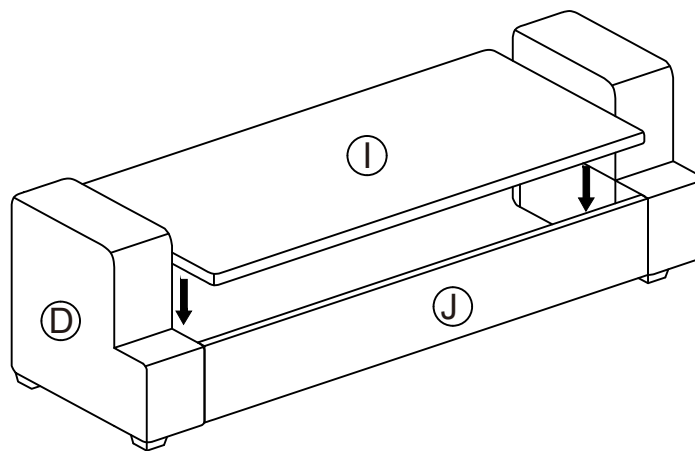
STEP 4



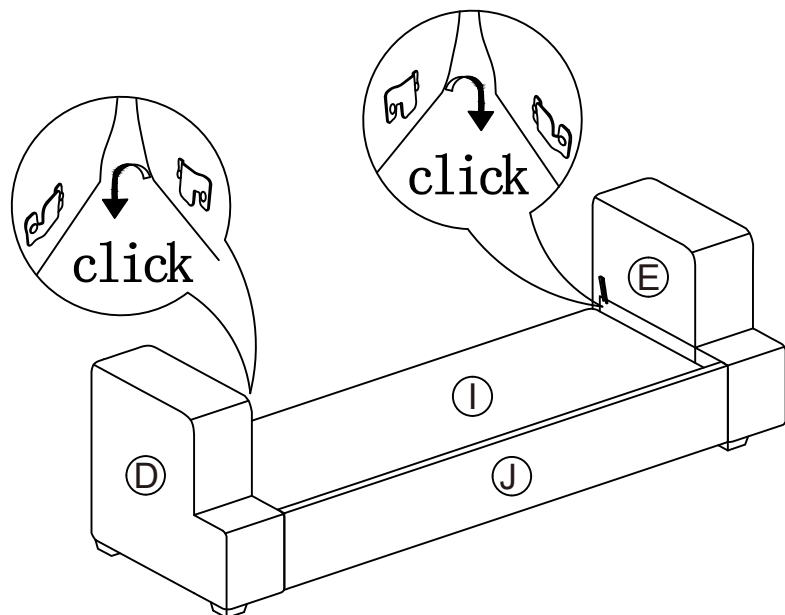
STEP 5



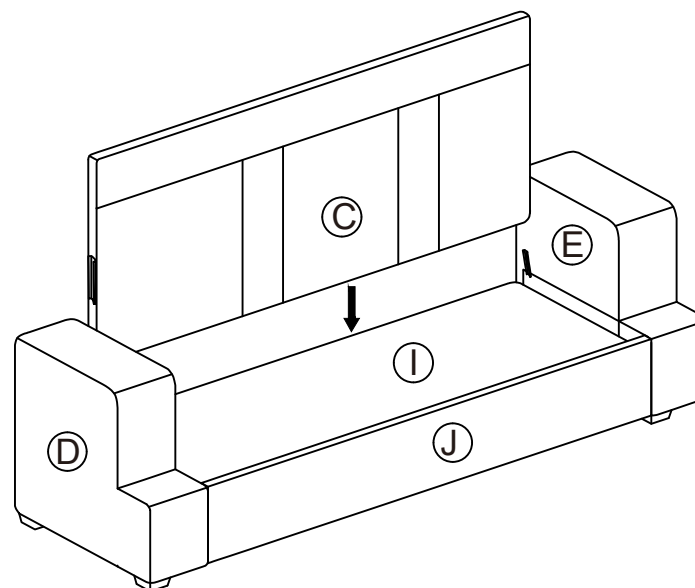
STEP 6



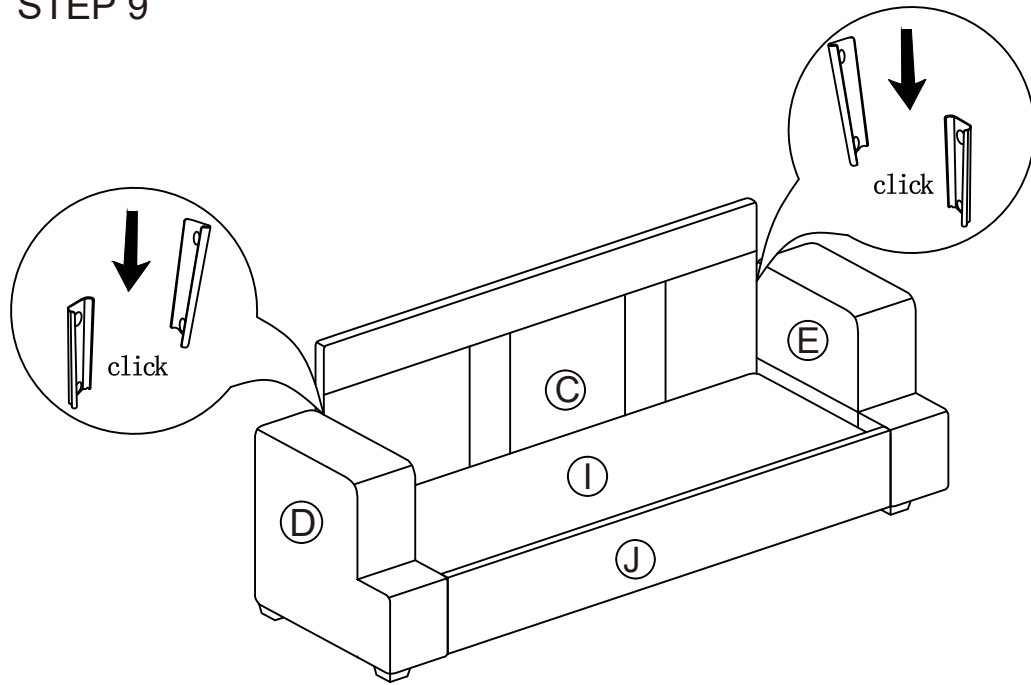
STEP 7



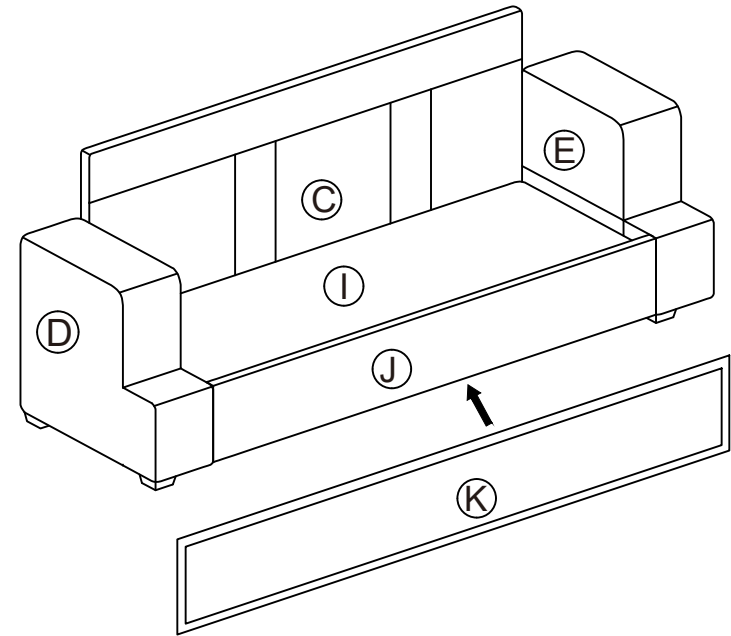
STEP 8



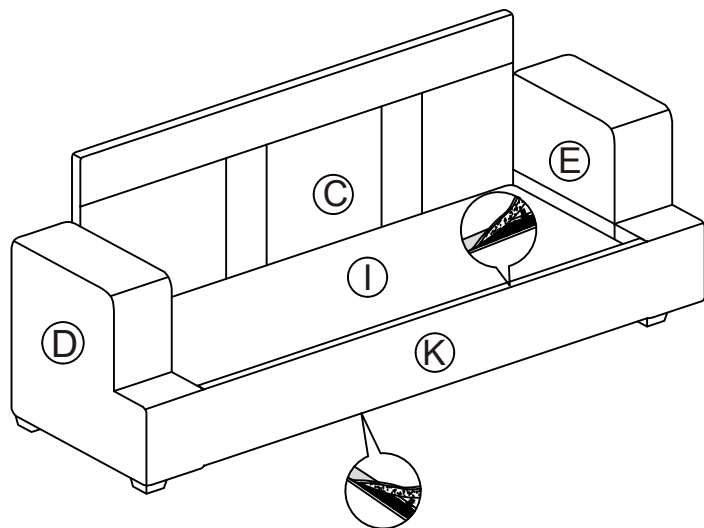
STEP 9



STEP 10

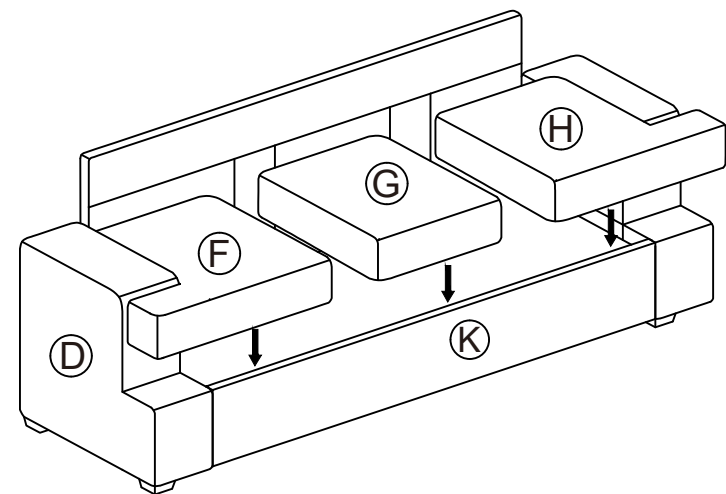


STEP 11

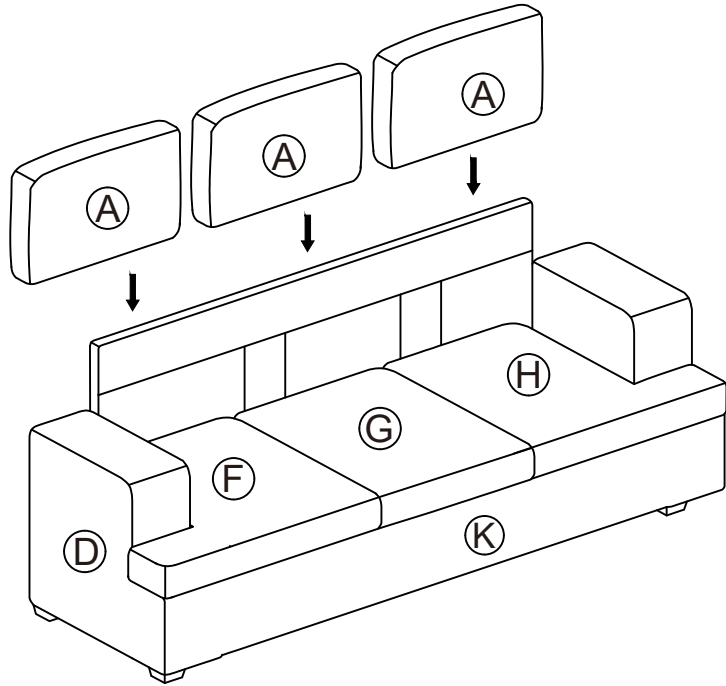


Using Nylon fastener to secure it in place

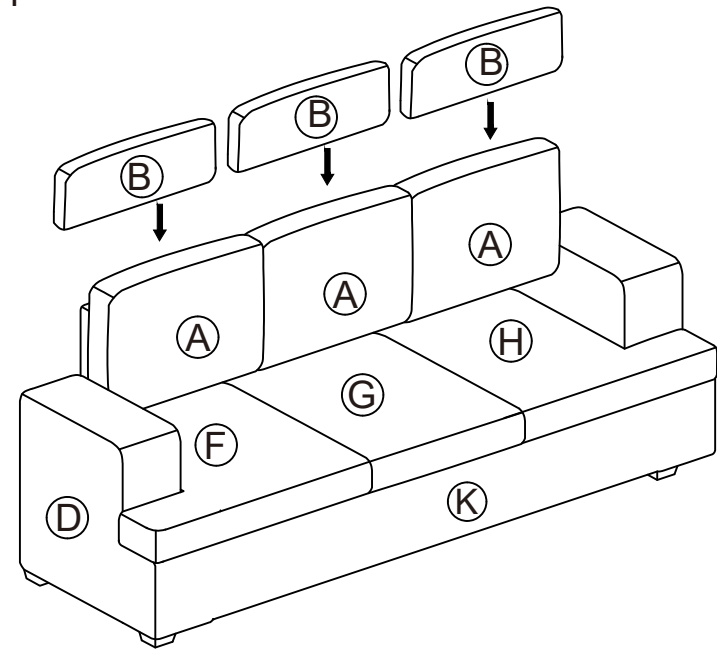
STEP 12



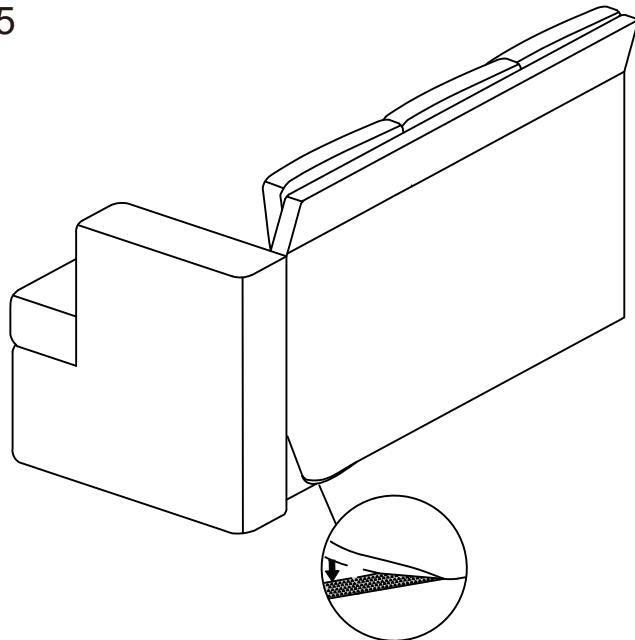
STEP 13



STEP 14



STEP 15



Using Nylon fastener to secure it in place

STEP 16

