

**ASSEMBLY TIPS:**

1. Remove hardware from box and sort by size.
2. Please check to see that all hardware and parts are present prior to start of assembly.
3. Please follow attached instructions in the same sequence as numbered to assure fast & easy assembly.

**Warning!**

1. Don't attempt to repair or modify parts that are broken or defective. Please contact the store immediately.
2. This product is for home use only and not intended for commercial establishments.

**ASSEMBLY TIME****20 MINUTES****PARTS IDENTIFICATION****B1 (BOX 1)**

	PART NAME	FIGURE	QTY
<b>A</b>	HEADBOARD PANEL		1PC
<b>B</b>	FOOTBOARD		1PC
<b>C</b>	RIGHT HEADBOARD LEG		1PC
<b>D</b>	LEFT HEADBOARD LEG		1PC

**B2 (BOX 2)**

<b>E</b>	BED RAIL		2PCS
<b>F</b>	CONCEAL PANEL A		4PCS
<b>G</b>	CONCEAL PANEL B		2PCS
<b>H</b>	BED SLAT		5PCS
<b>I</b>	BED SLAT SUPPORT WITH LEVELER		8PCS
<b>J</b>	DRAWER BOTTOM TRESTLE BAR		1PC
<b>K</b>	DRAWER SUPPORT RAIL		2PCS
<b>L</b>	DRAWER SUPPORT LEG WITH LEVELER		1PC

**B3 (BOX 3)**

	PART NAME	FIGURE	QTY
<b>M</b>	DRAWER BOX		2PCS
<b>HB</b>	FROM BOX 1 HEADBOARD COMPLETE		1PC
<b>B</b>	FROM BOX 1 FOOTBOARD		1PC

**HARDWARE IDENTIFICATION****Z-B1 (BOX 1)- HARDWARE PACK**

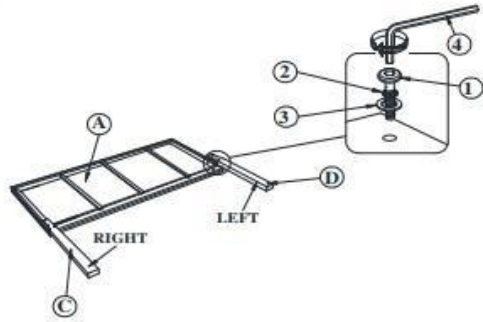
	HARDWARE NAME	FIGURE	QTY
<b>1</b>	BOLT (M6 x 30mm - BLK)		6PCS
<b>2</b>	LOCK WASHER (1/4" - RBW)		6PCS
<b>3</b>	FLAT WASHER (1/4"ID x 13mm - BLK)		6PCS
<b>4</b>	ALLEN WRENCH (M4 x 65mm - BLK)		1PC

**Z-B2 (BOX 2)- HARDWARE PACK**

<b>5</b>	FLAT HEAD SCREW (M4 x 32mm - RBW)		14PCS
<b>6</b>	PAN HEAD SCREW (M3.5 x 20mm - BLK)		30PCS
<b>7</b>	SHORT BOLT (M6 x 35mm - BLK)		2PCS
<b>8</b>	LONG BOLT (M6 x 50mm - BLK)		9PCS
<b>9</b>	LOCK WASHER (1/4" - RBW)		2PCS
<b>10</b>	FLAT WASHER (1/4"ID x 13mm - BLK)		2PCS
<b>11</b>	SMALL ALLEN WRENCH (M4 x 65mm - BLK)		1PC
<b>12</b>	BIG ALLEN WRENCH (M5 x 65mm - BLK)		1PC

**NOTE : PHILLIPS HEAD SCREW DRIVER IS REQUIRED IN THE ASSEMBLY PROCESS; HOWEVER, MANUFACTURER DOES NOT PROVIDE THIS ITEM.**

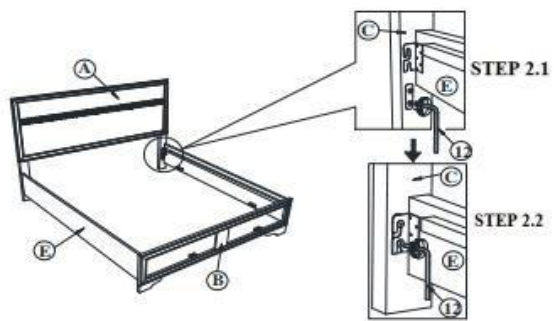
**BOX 1**  
STEP 1



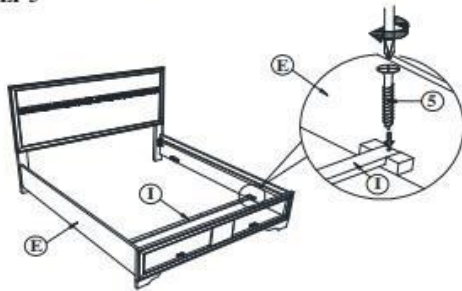
**\*\*BACK VIEW\*\***

Note: Please take note of the marking sticker ( L & R ) on the headboard legs.

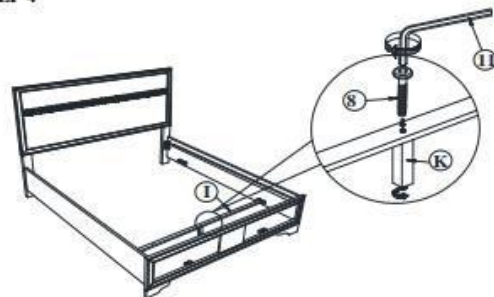
**BOX 1 & BOX 2**  
STEP 2



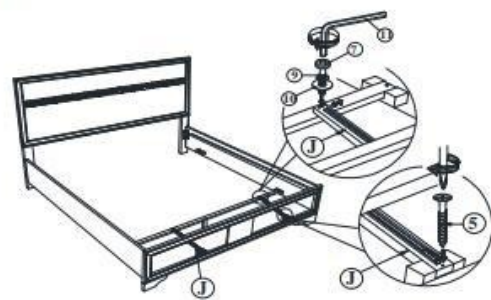
STEP 3



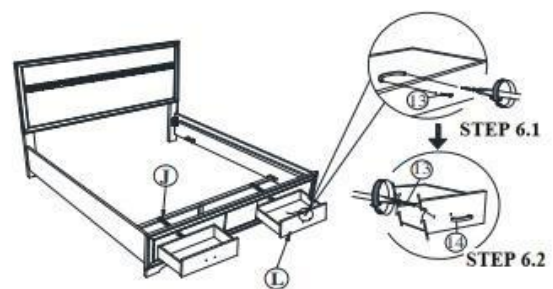
STEP 4



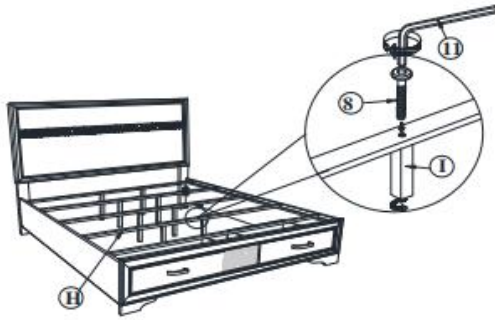
STEP 5



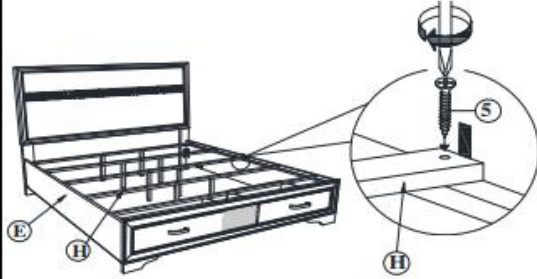
**BOX 1 TO BOX 3**  
STEP 6



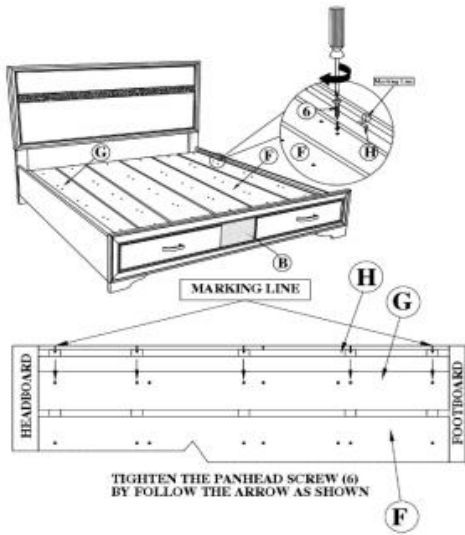
STEP 7



STEP 8



STEP 9



STEP 10  
COMPLETE

