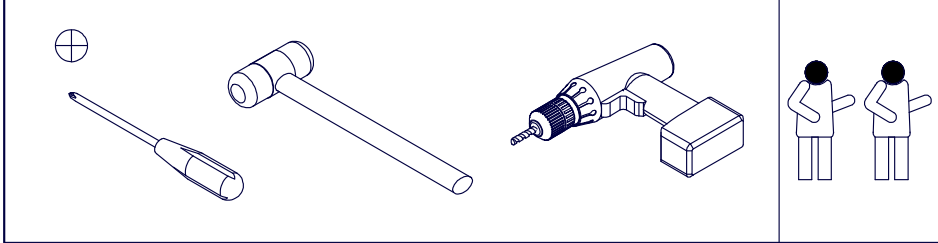





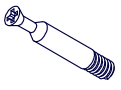

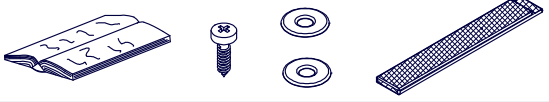


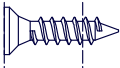

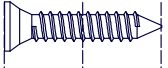

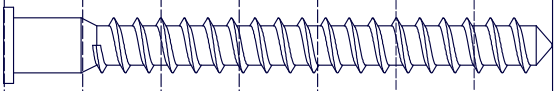


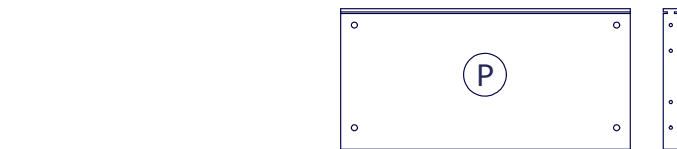
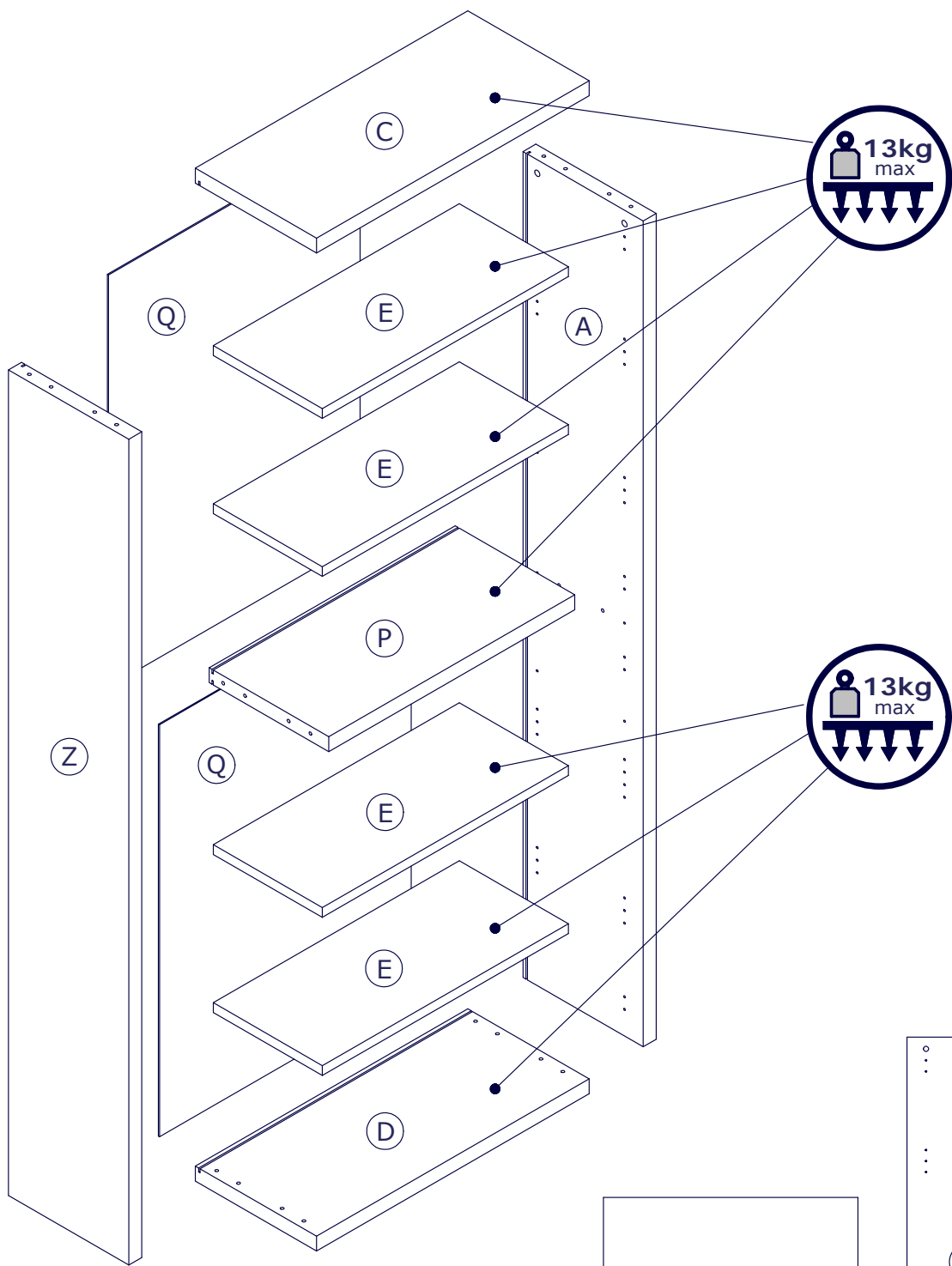
220
80
36



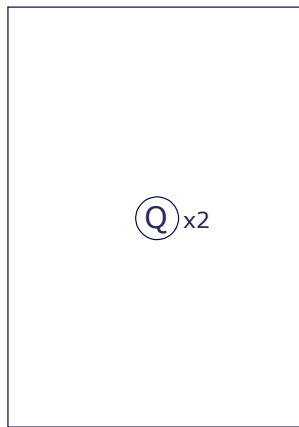
A x 1 FI7019	C x 1 CA2863	D x 1 BA1745	E x 4 PI6230	P x 1 PI6231	Q x 2 SH2618	Z x 1 FI7018
------------------------	------------------------	------------------------	------------------------	------------------------	------------------------	------------------------

BU2792	G122 x 4 FG0122		H1 x 12 FH0001		H2 x 16 FH0002		H233 x 4 FH0233		R40 x 16 FR0040	
	T28 x 8 FT0028		T97 x 8 FT0097							
CF0146										
	P45 x 4 FP0045									

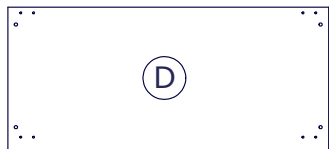
mm	0	10	20	30	40	50	60	70	
BU2792									V5 x 16 FV0005
									V8 x 16 FV0008
									V115 x 4 FV0115



● **PI6231**
722x351x38mm



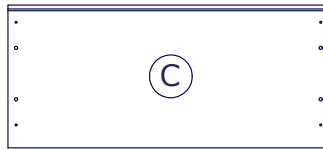
● **SH2618**
1048x739x3mm



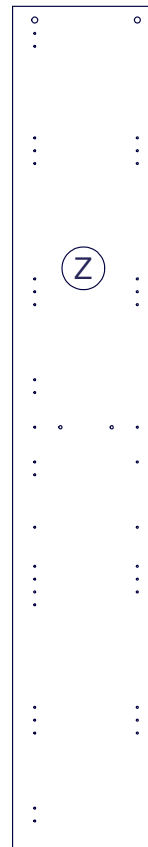
● **BA1745**
800x356x38mm



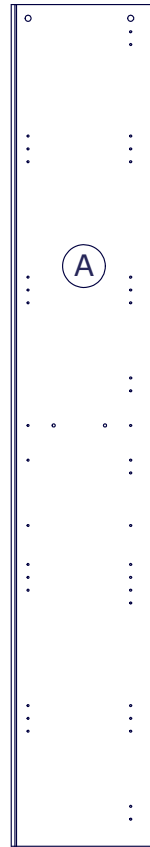
● **PI6230**
722x320x25mm



● **CA2863**
800x356x38mm



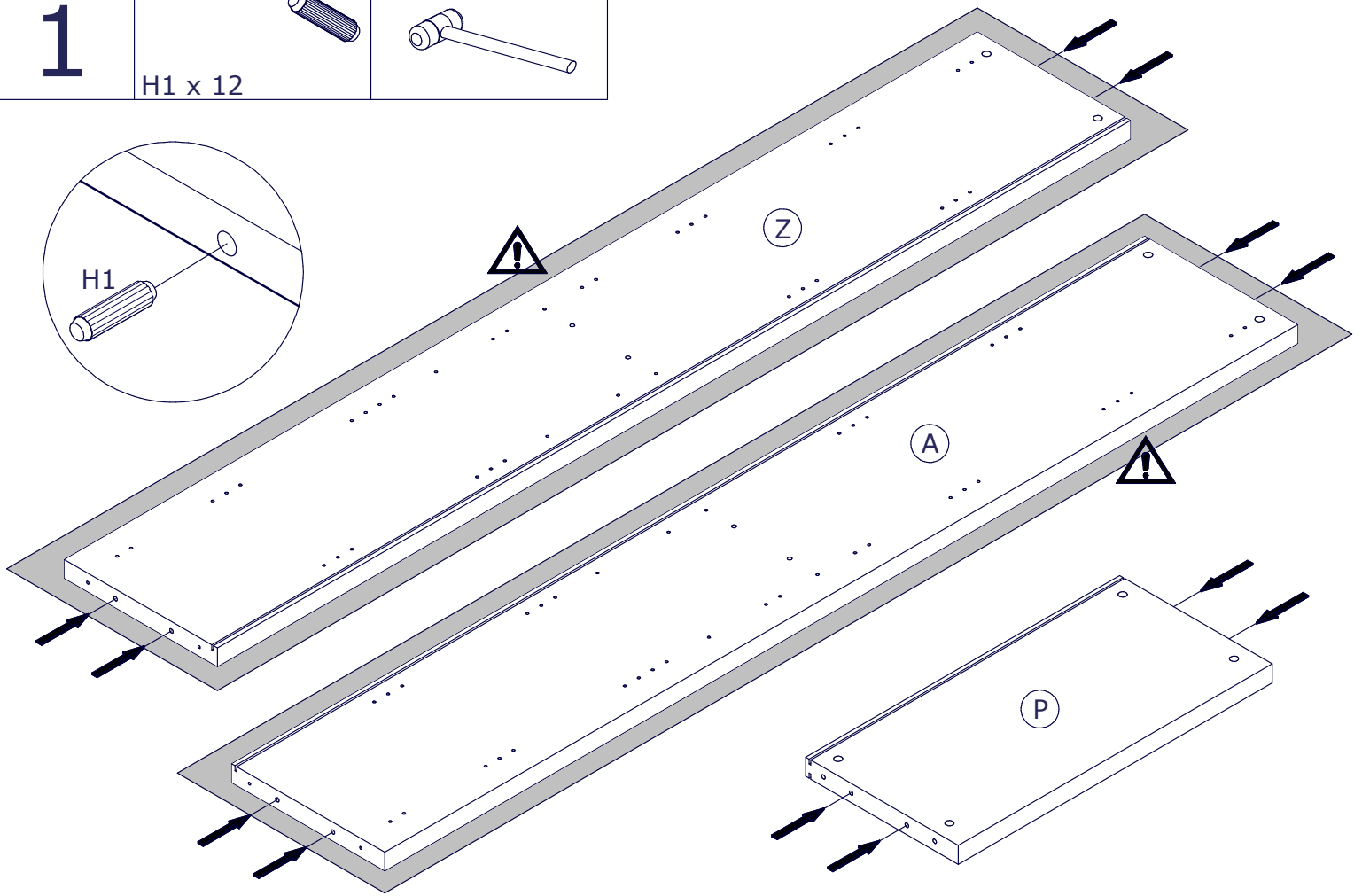
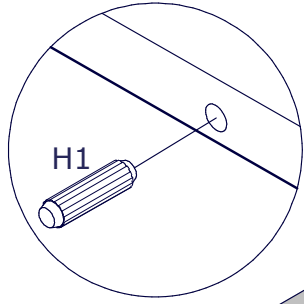
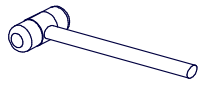
● **FI7018**
2100x353x38mm



● **FI7019**
2100x353x38mm

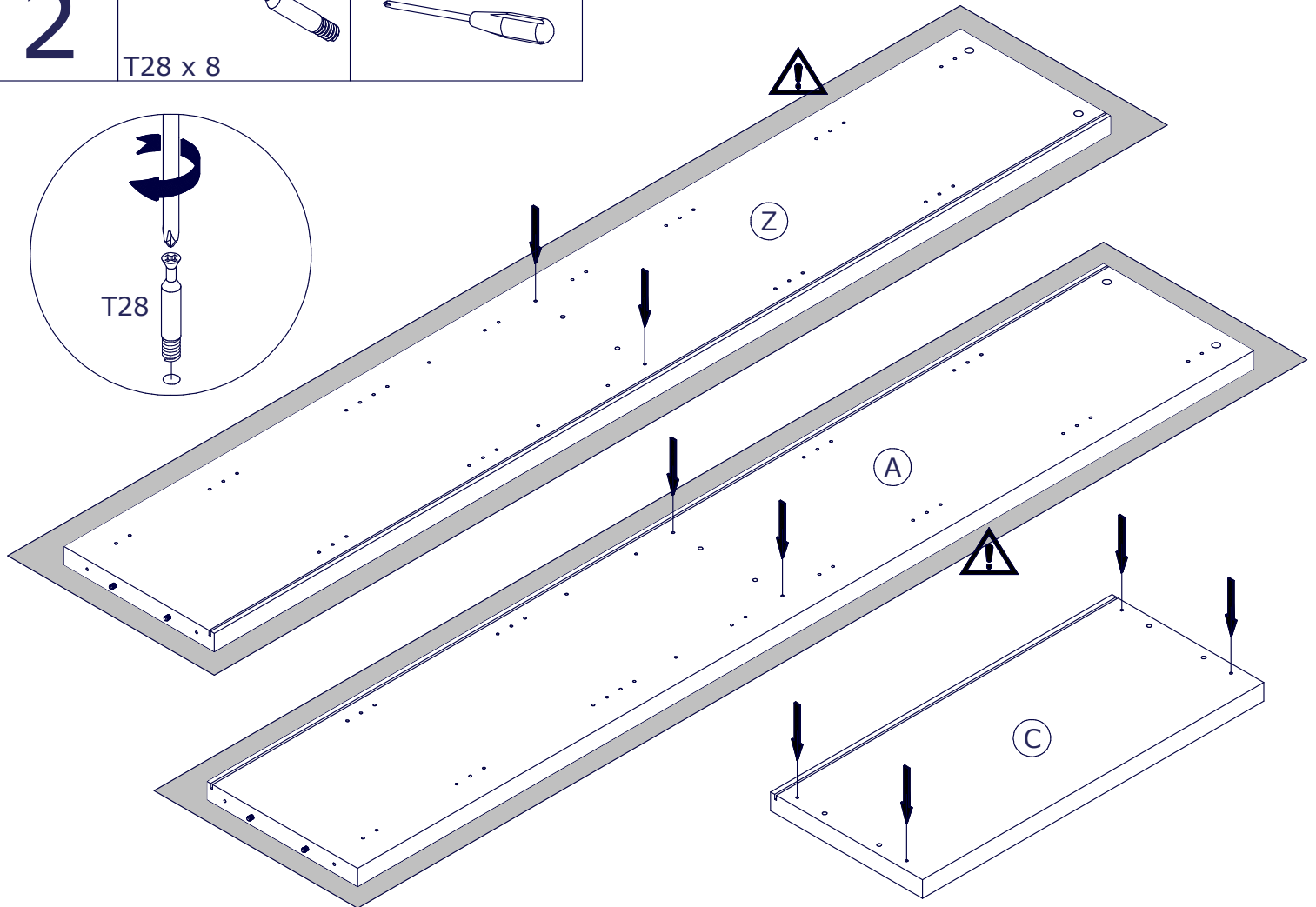
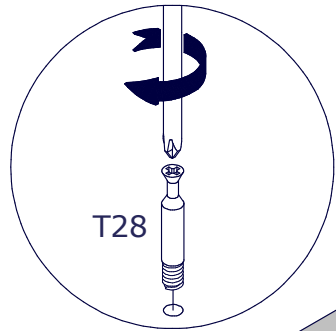
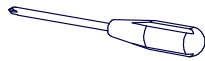
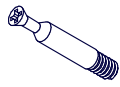
1

H1 x 12



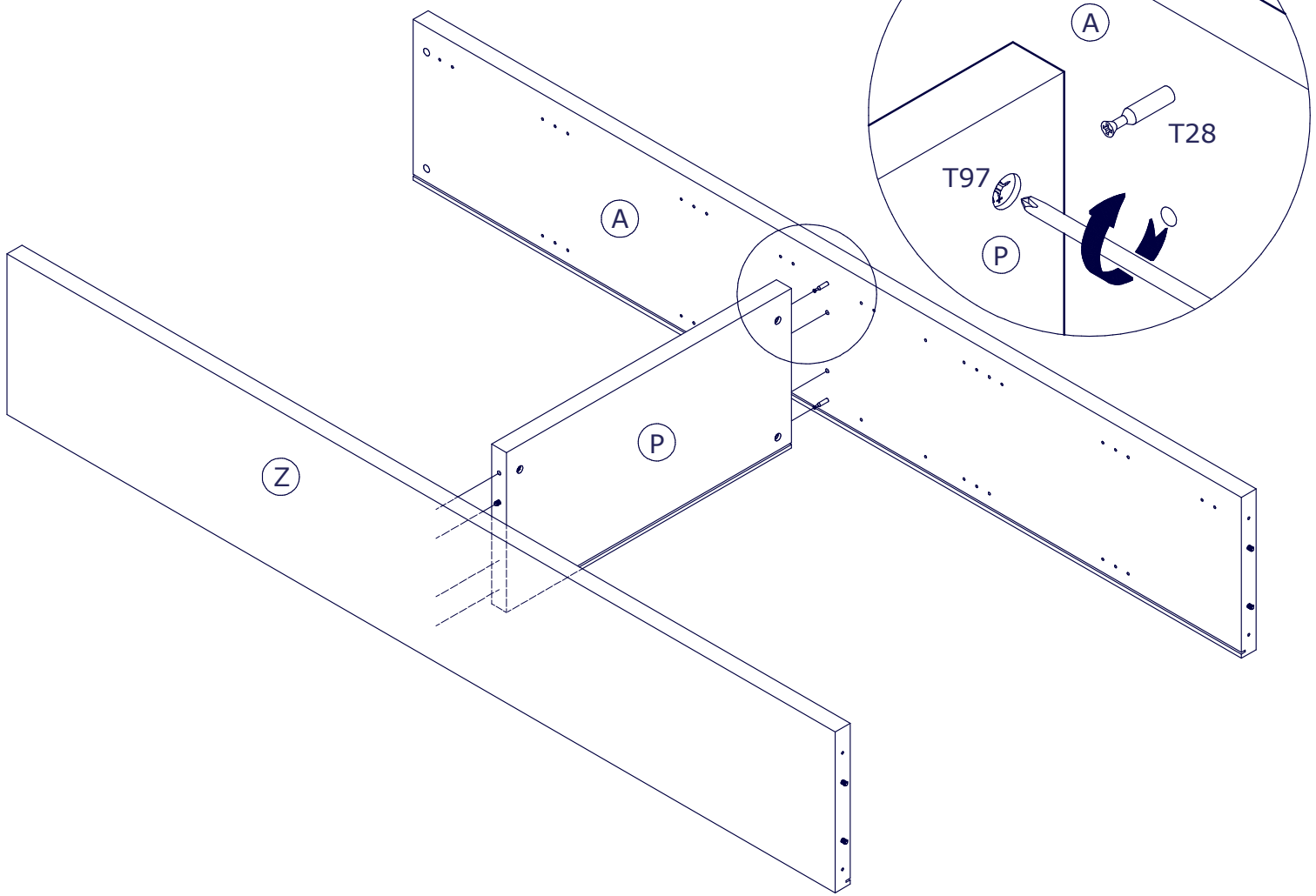
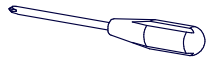
2

T28 x 8

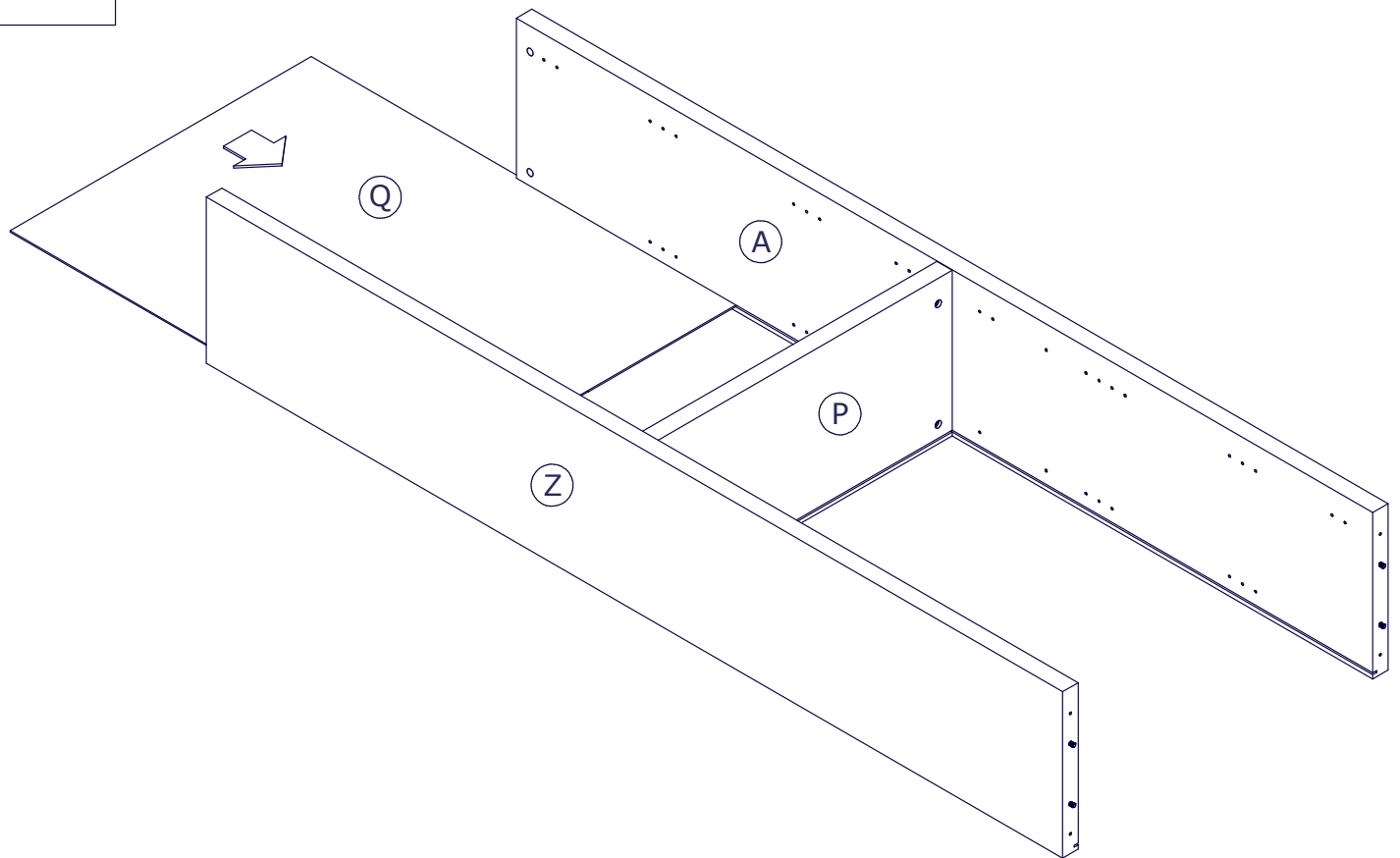


3

T97 x 4



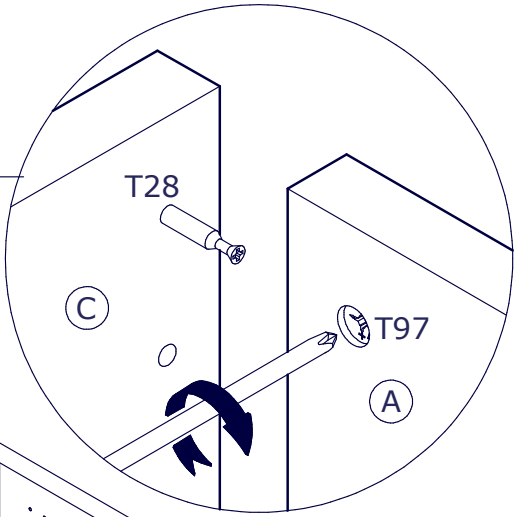
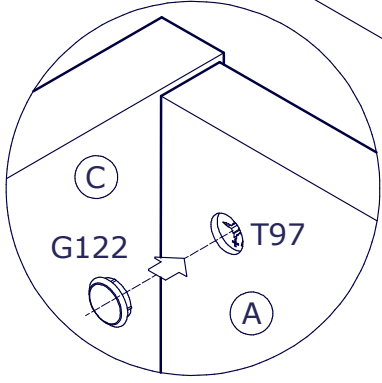
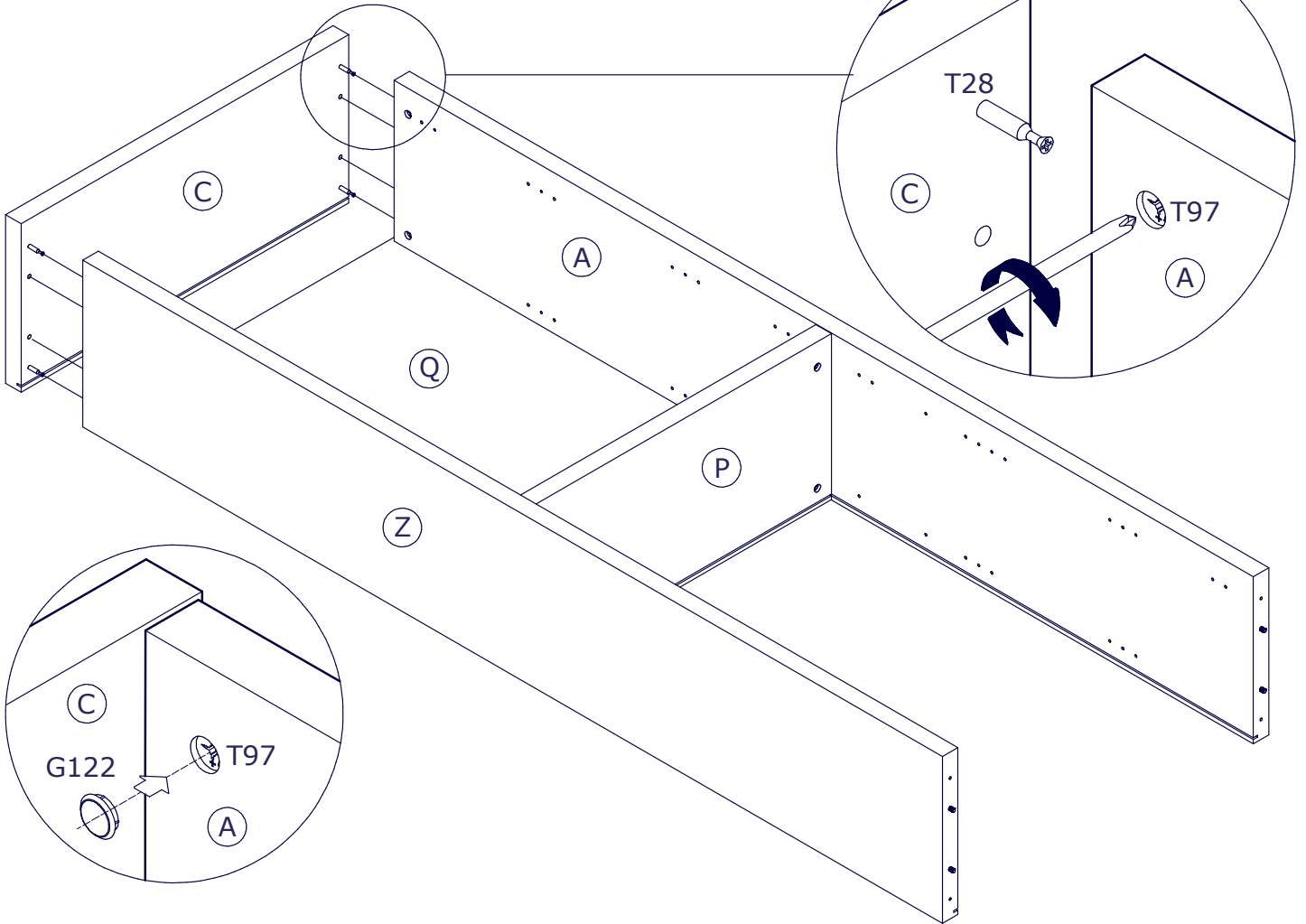
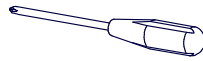
4



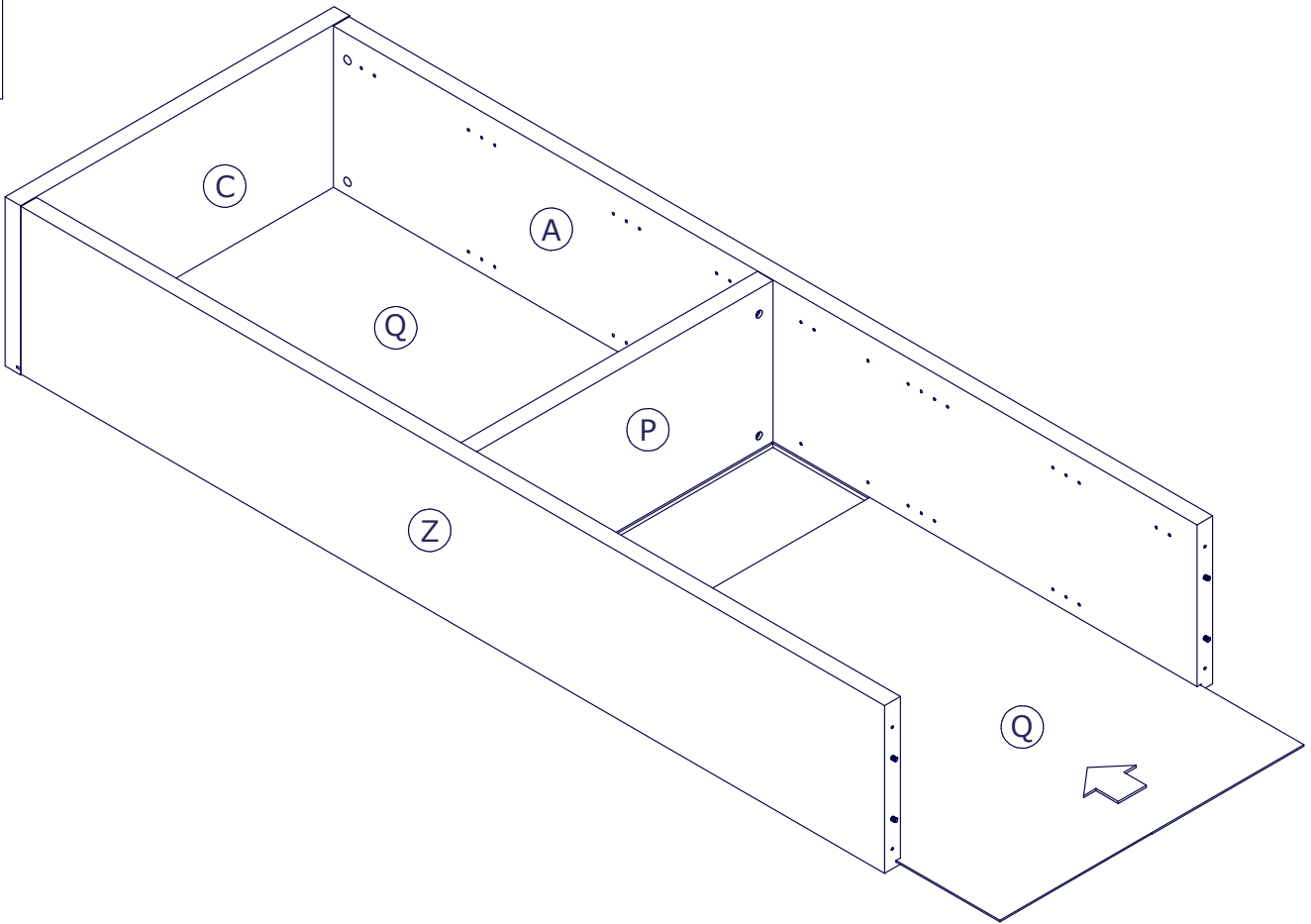
5

G122 x 4

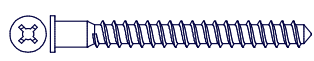
T97 x 4



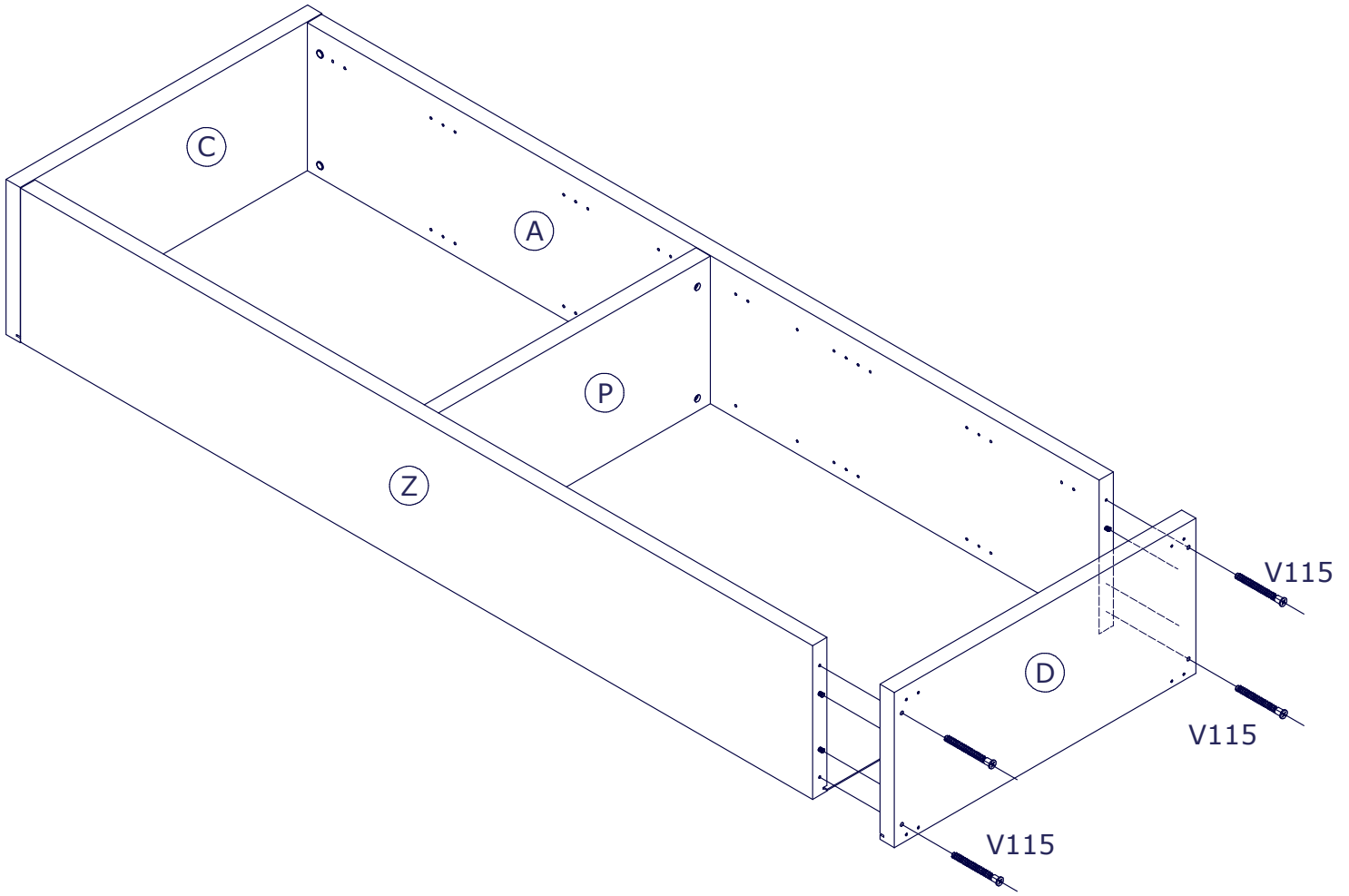
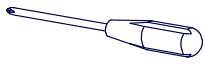
6



7



V115 x 4



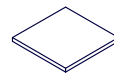
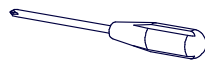
8



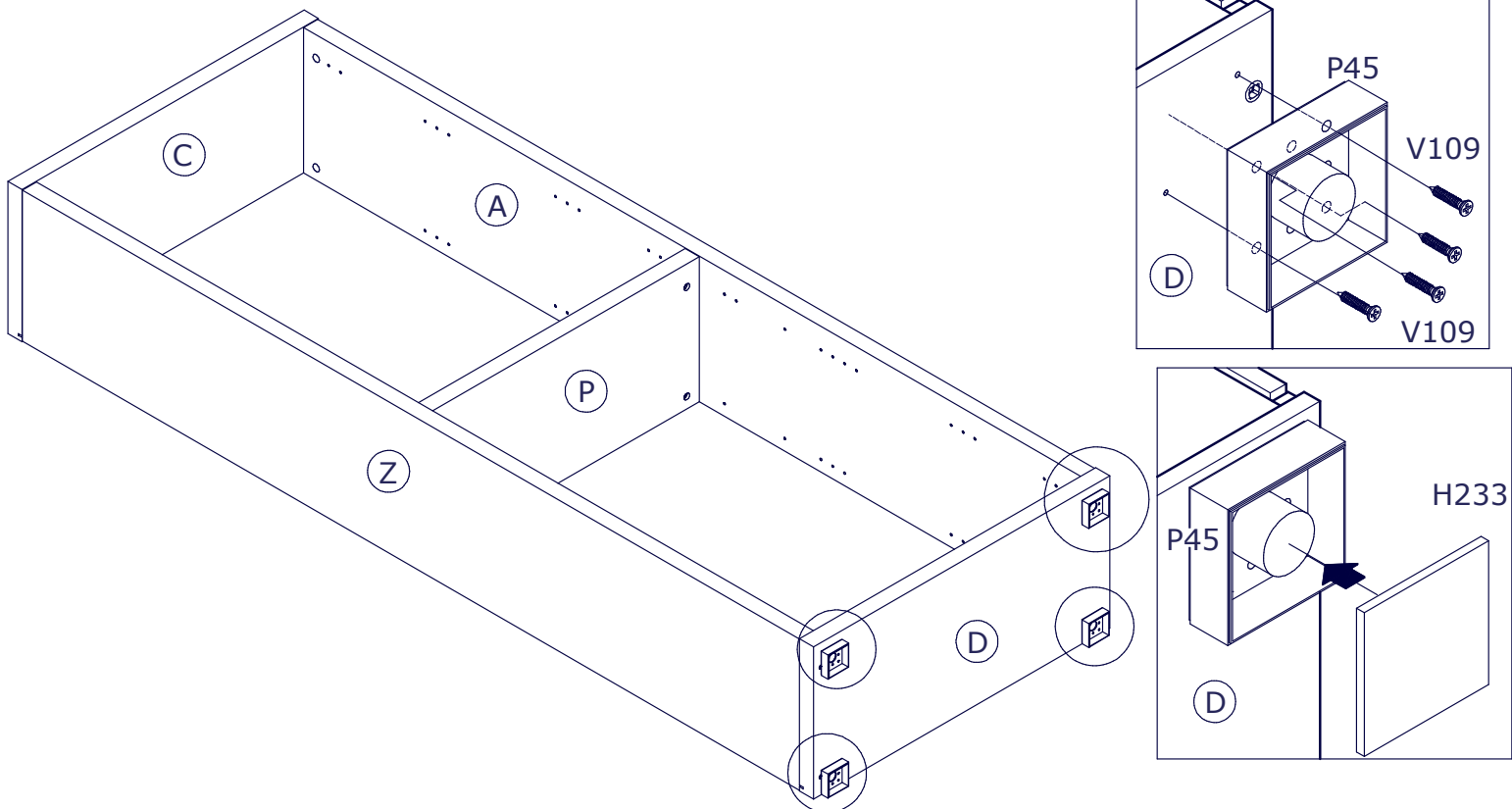
P45 x 4



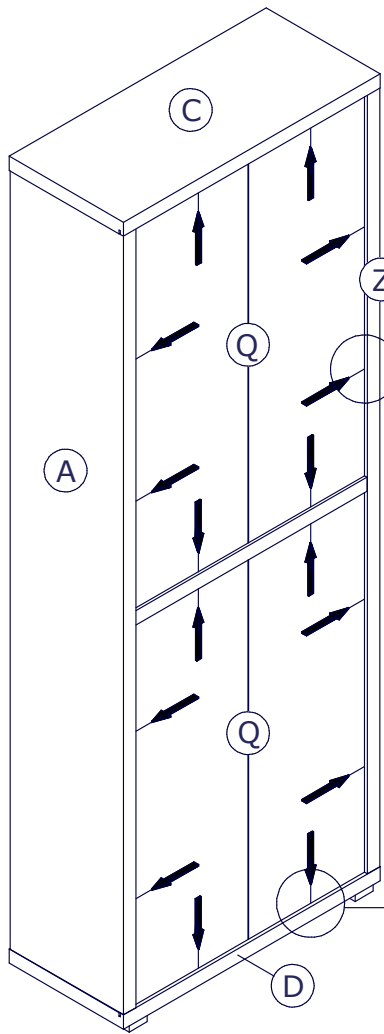
V8 x 16



H233 x 4

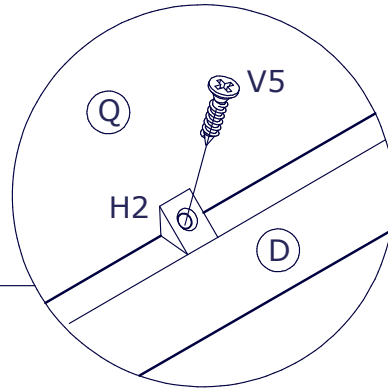
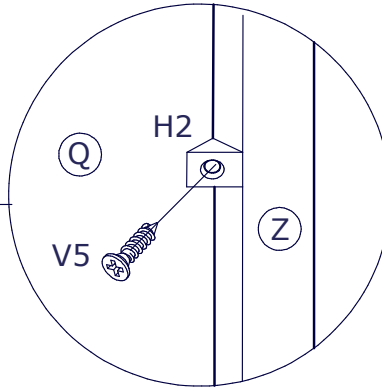


9

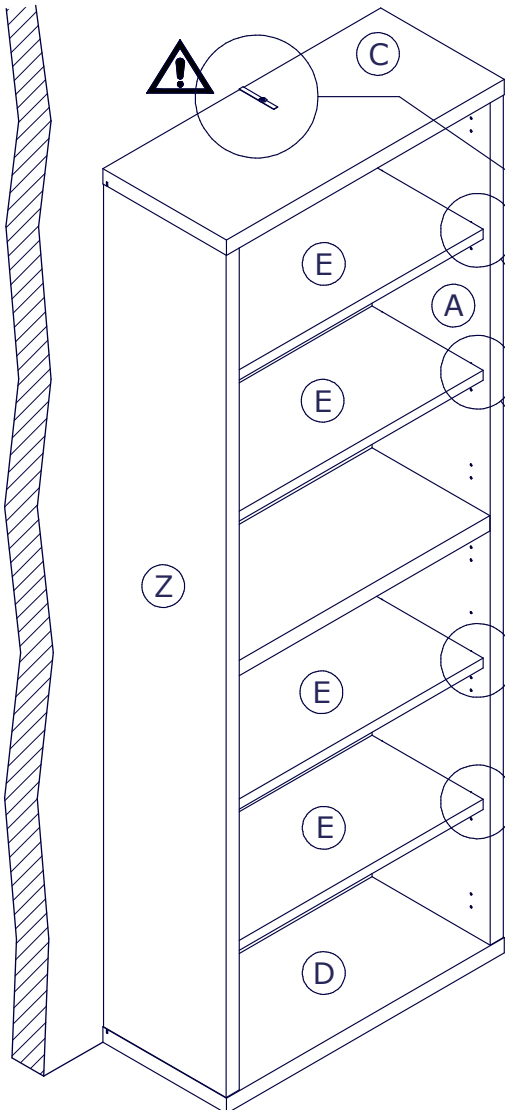


H2 x 16

V5 x 16



10



R40 x 16

