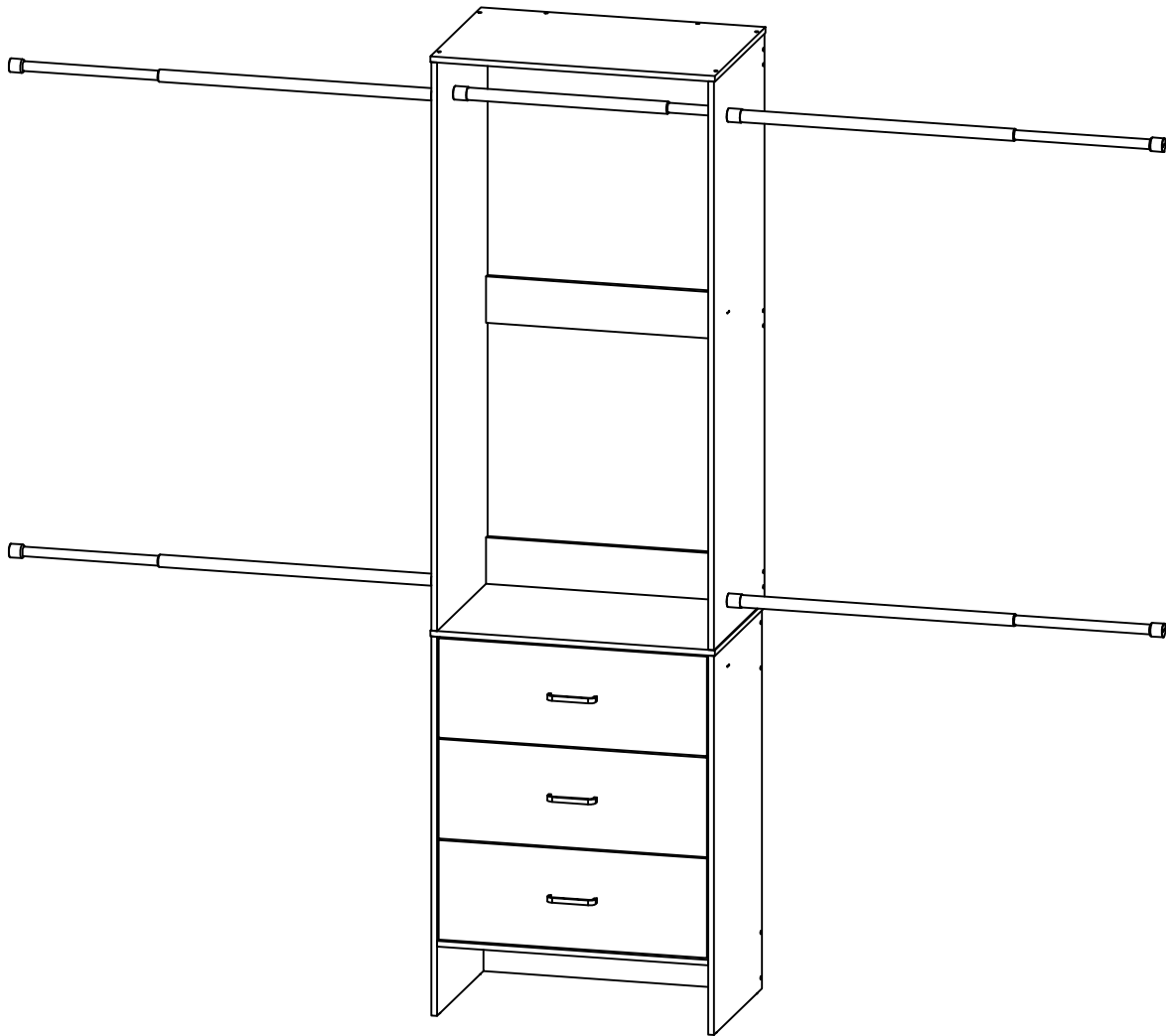


Closet System

ASSEMBLY INSTRUCTION



(Note:Two people are recommended to install, which will greatly improve your installation efficiency.)

Thank you for purchasing our products.

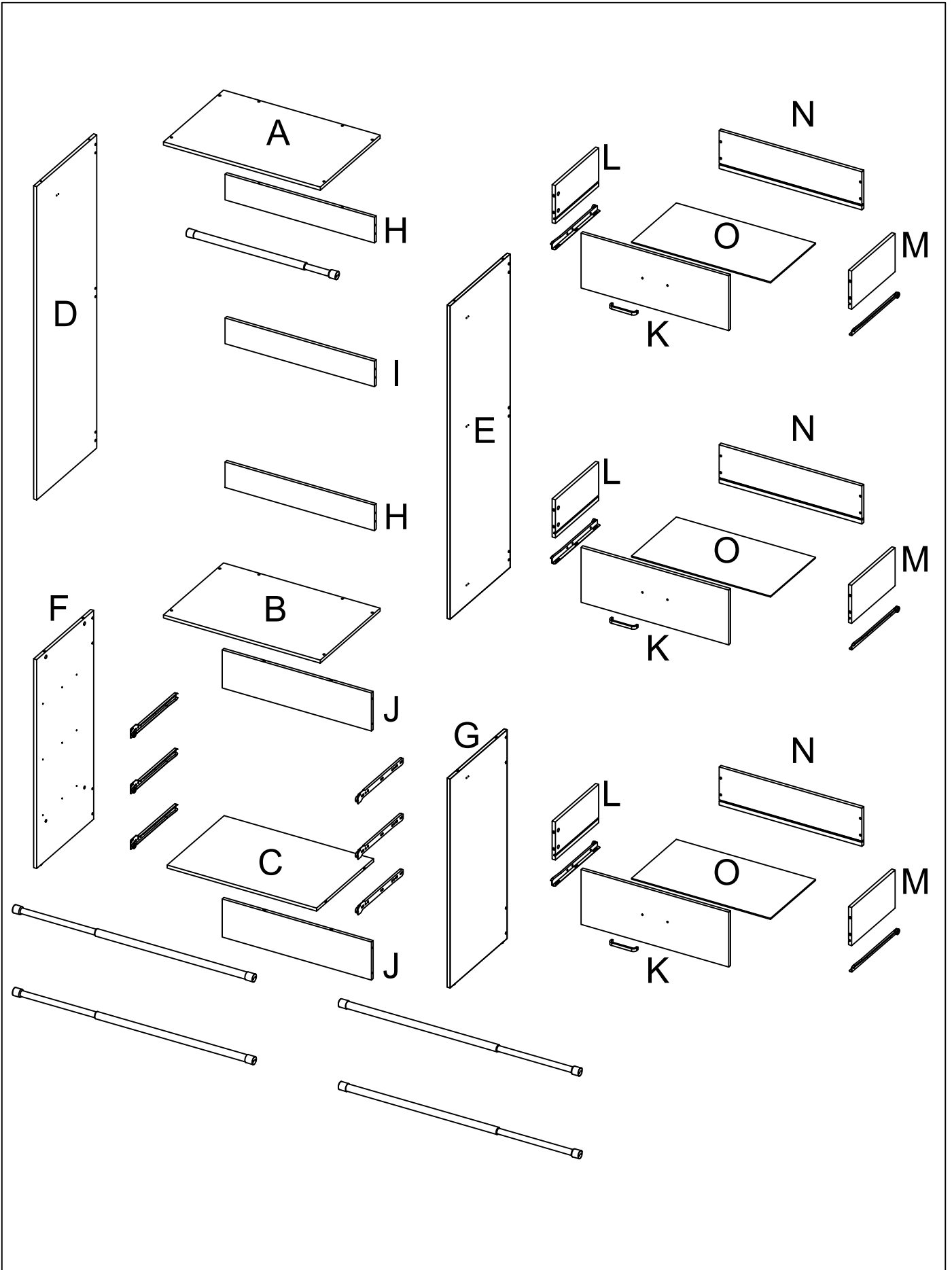
As a reliable seller, we have been pursuing to provide customers with 100% satisfied products and services, so we hope that you will enjoy this shopping experience.

If you find any damage, missing parts, or dissatisfaction after receiving the product, please feel free to contact us the first time, We will provide you with a 100% satisfactory solution.

Thanks again for your order. And please feel free to contact us in case of any problem regarding assembling or the product itself. We will do everything we can to resolve it.

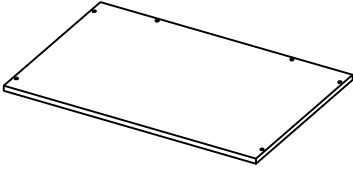
TIPS:

1. Please read this instruction manual carefully, follow it step by step and pay attention to the notes, you will assemble it quickly, safely and correctly.
2. Two people are recommended to install, which will greatly improve your installation efficiency.
3. Put the screws in loosely until all pieces are together and then tighten them all. It will save your time if you make a mistake while installing

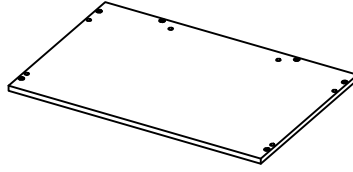


PART LIST

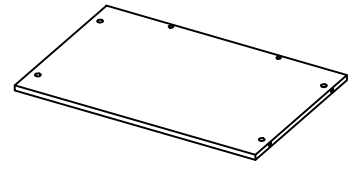
A x 1pc



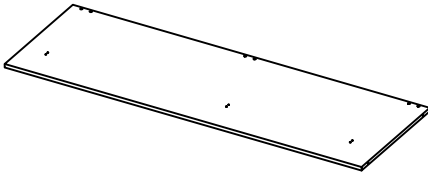
B x 1pc



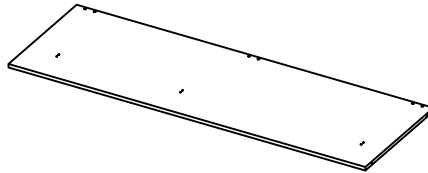
C x 1pc



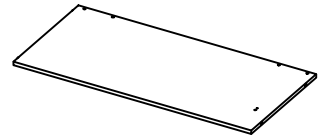
D x 1pc



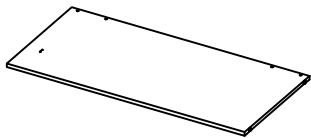
E x 1pc



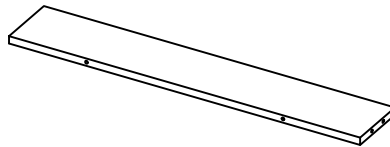
F x 1pc



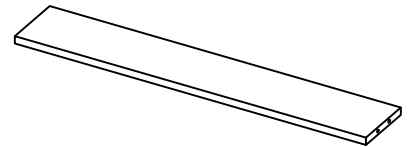
G x 1pc



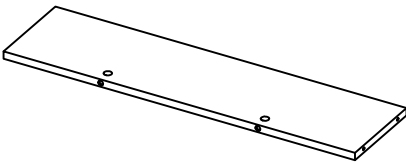
H x 2pcs



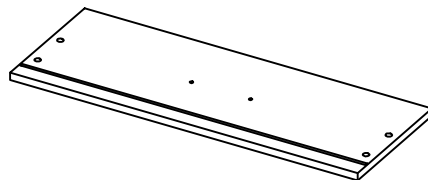
I x 1pc



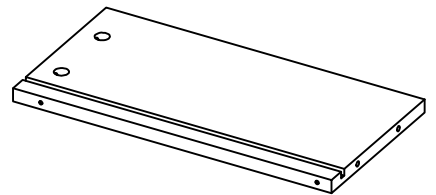
J x 2pcs



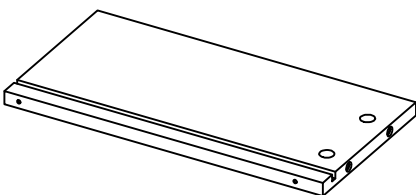
K x 3pcs



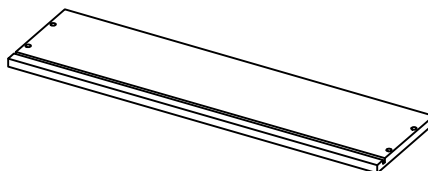
L x 3pcs



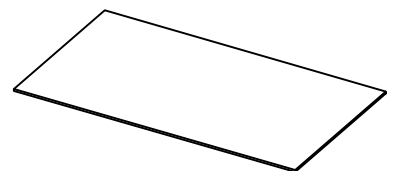
M x 3pcs



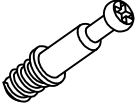




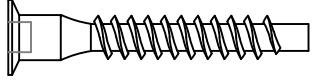
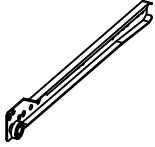
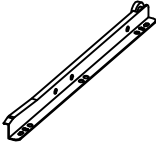
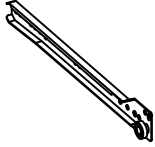
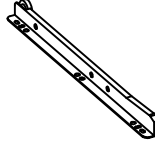

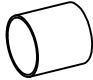



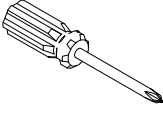
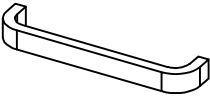

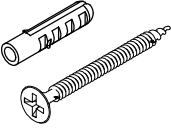
N x 3pcs



O x 3pcs



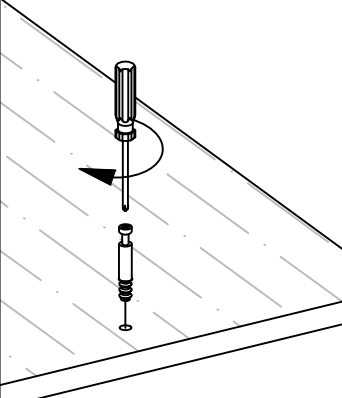
HARDWARE LIST

①  M6x28 24 pcs	②  Ø12 24 pcs	③  M3x12 36 pcs
④  M4x12 12 pcs	⑤  M4x15 6 pcs	⑥  M6x40 44 pcs
⑦  L300 3 pcs	⑧  L300 3 pcs	⑨  L300 3 pcs
⑩  L300 3 pcs	⑪  47-80cm 1 pc	⑫  5 pcs
⑬  5 pcs	⑭  M4x40 2 pcs	⑮  M4 1 pc
⑯  1 pc	⑰  M6x28 3 pcs	⑱  67-120cm 4 pcs
⑲  M4x40 8 pcs		

Using Camlocks

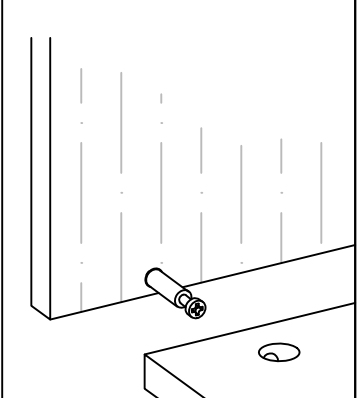
Connect the male camlock as directed in the assembly instructions using a screwdriver.

1 DO NOT OVER TIGHTEN



Push the male camlock into the entry hole.

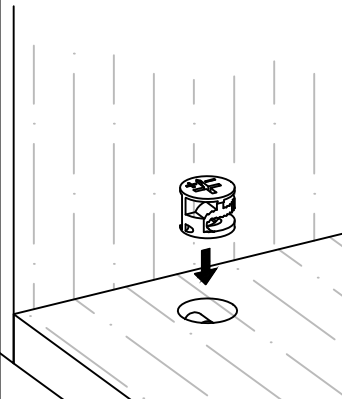
2



Insert the female camlock as shown in the instruction.

Note: ensure that the arrow on the top of the camlock points toward the entry hole for the male camlock.

3

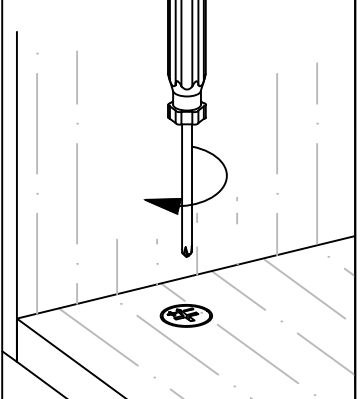


Turn the female camlock clockwise with a screwdriver.

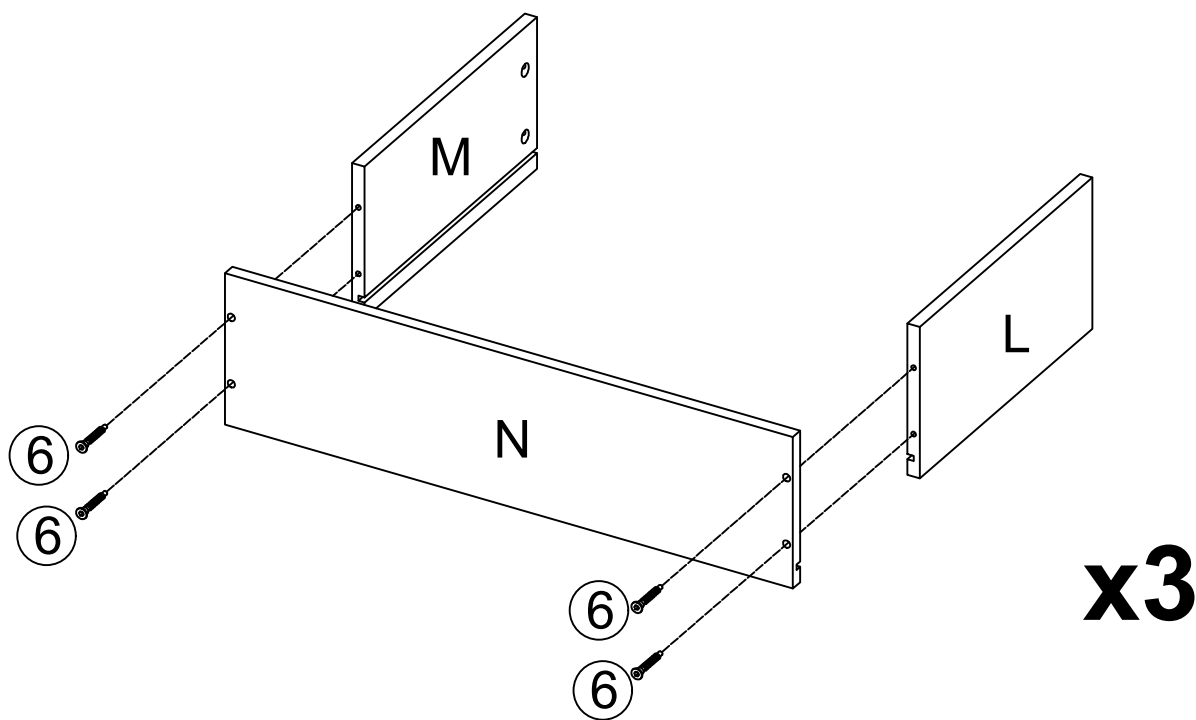
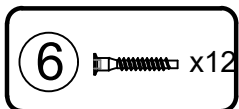
You should feel a click when the camlock is locked in place.

The joint is now secure.

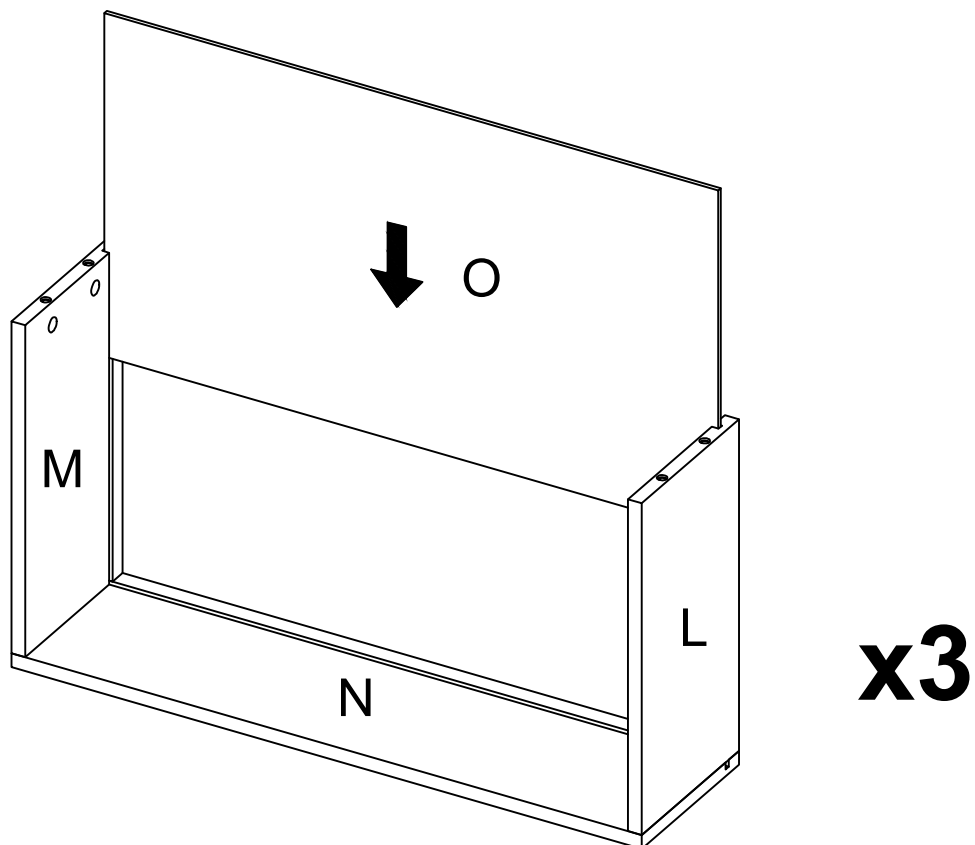
4



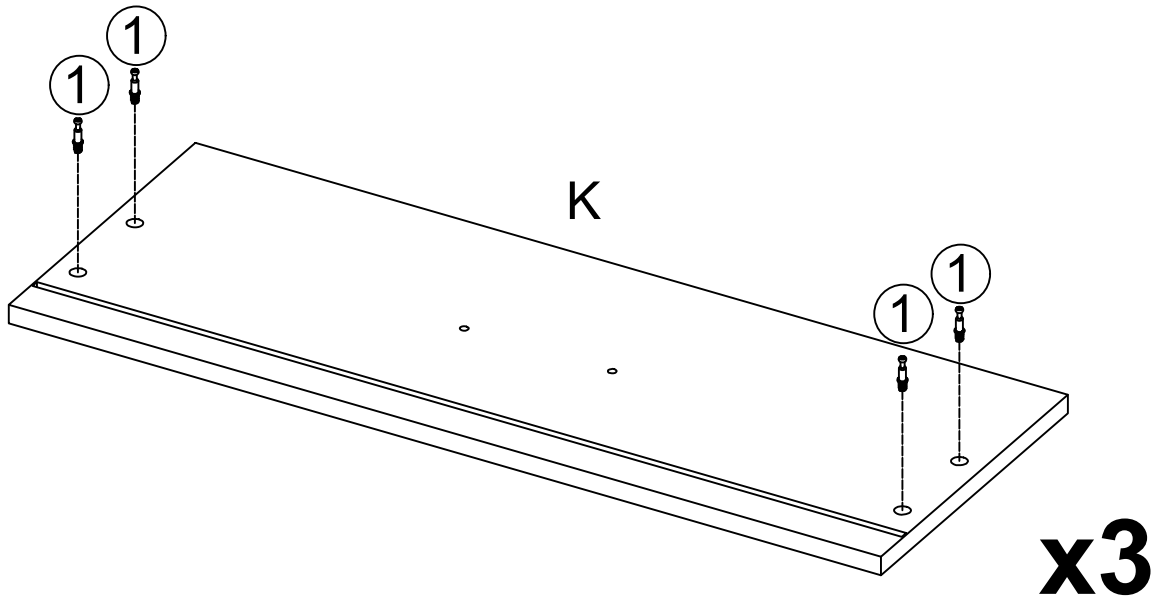
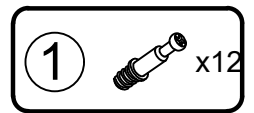
STEP 1



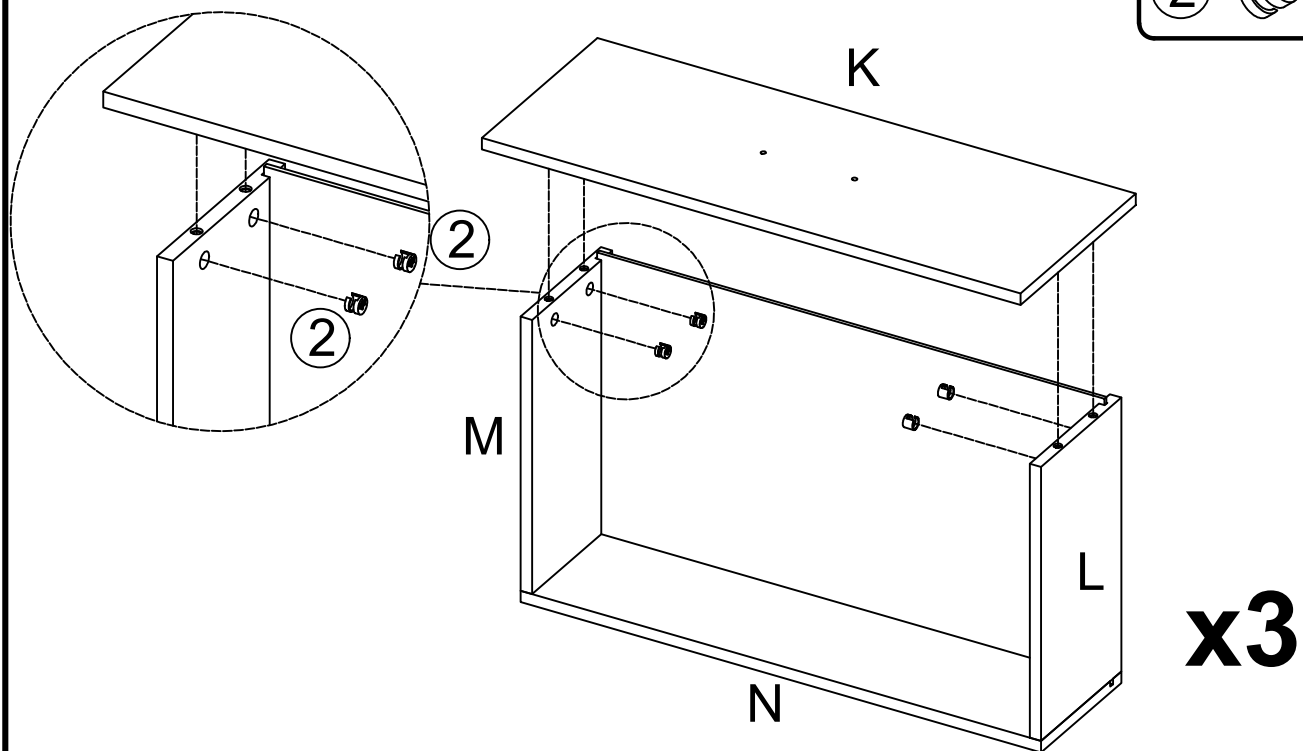
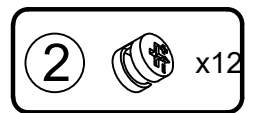
STEP 2



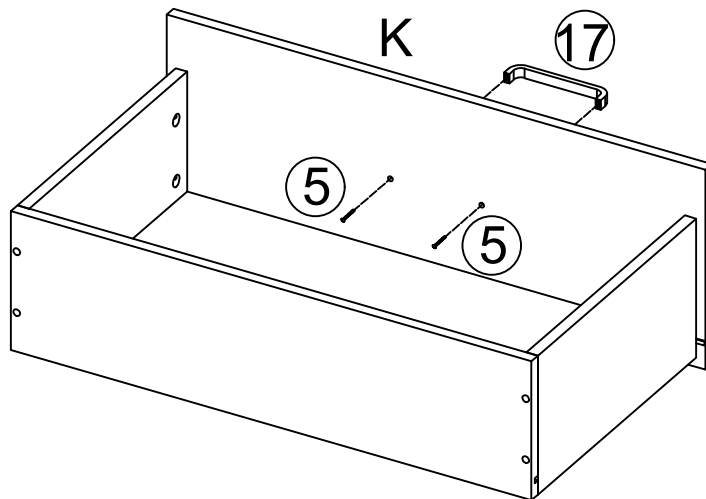
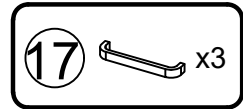
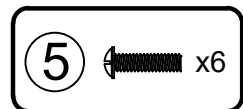
STEP 3



STEP 4



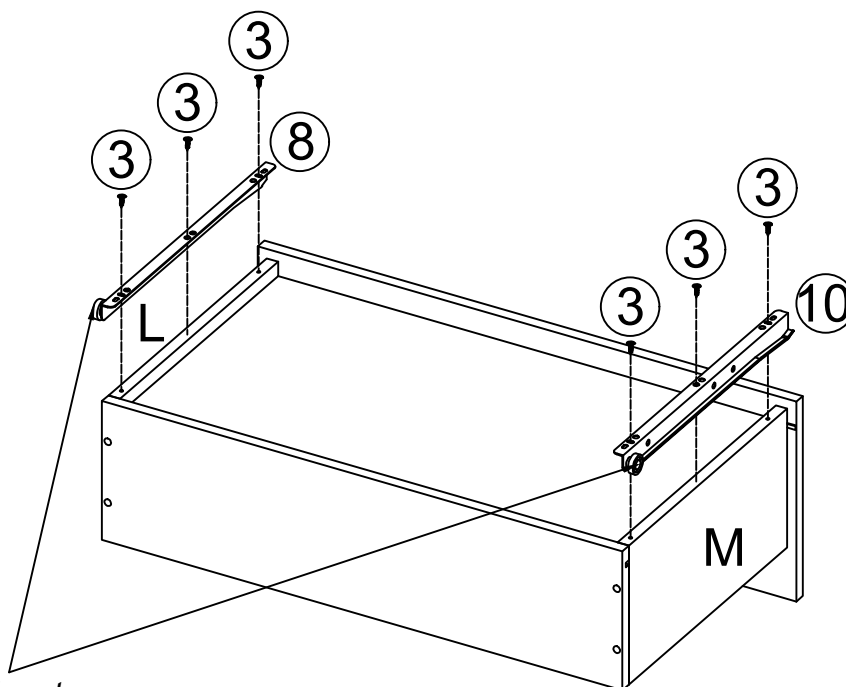
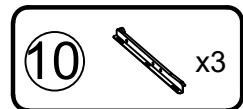
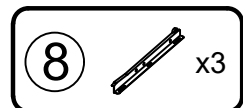
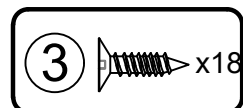
STEP 5



x3

STEP 6

Note the direction of the rollers on the slide rail.

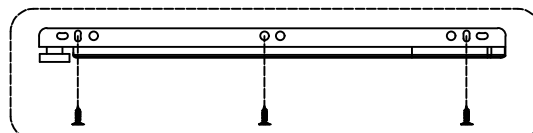


Roller at
the end.

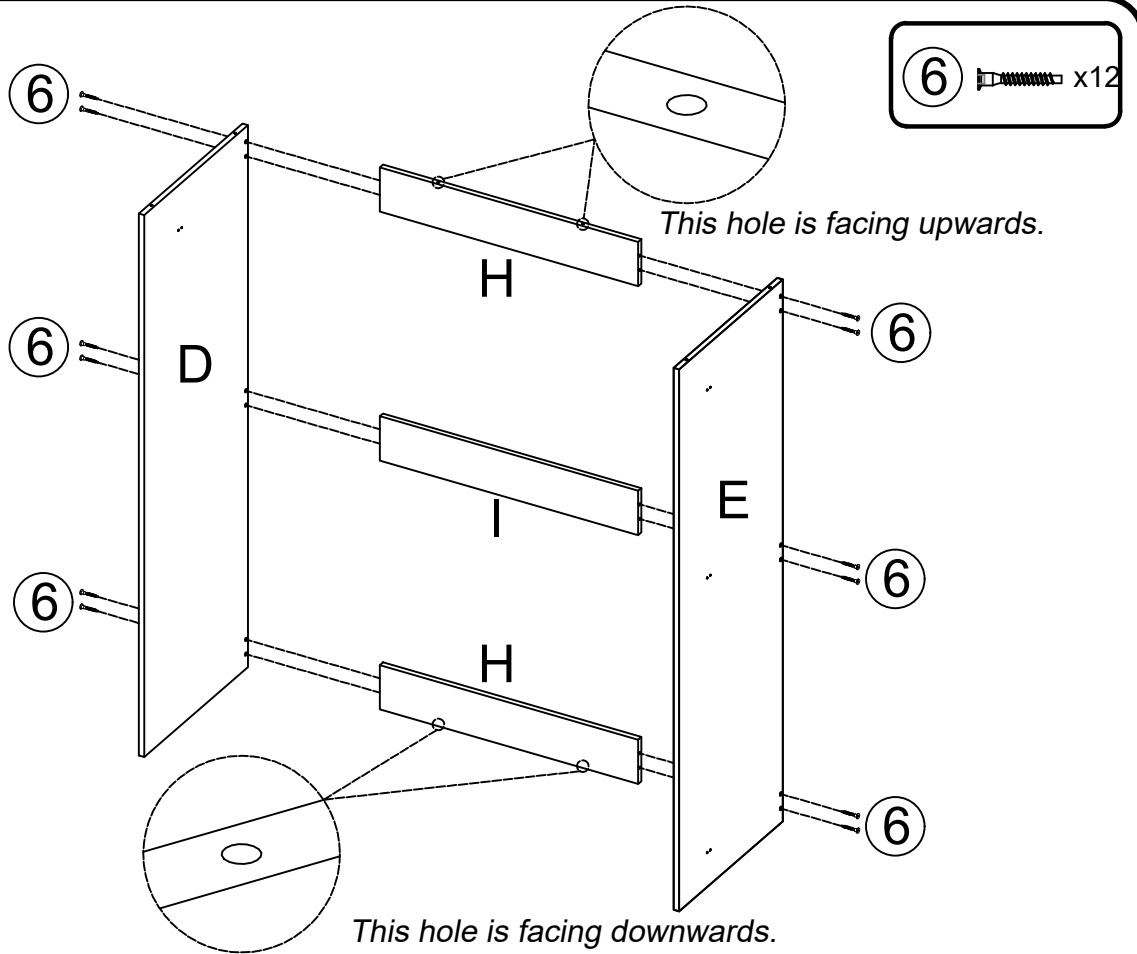
x3

NOTICE:

The installation for all the three drawers
is based on the six steps above.

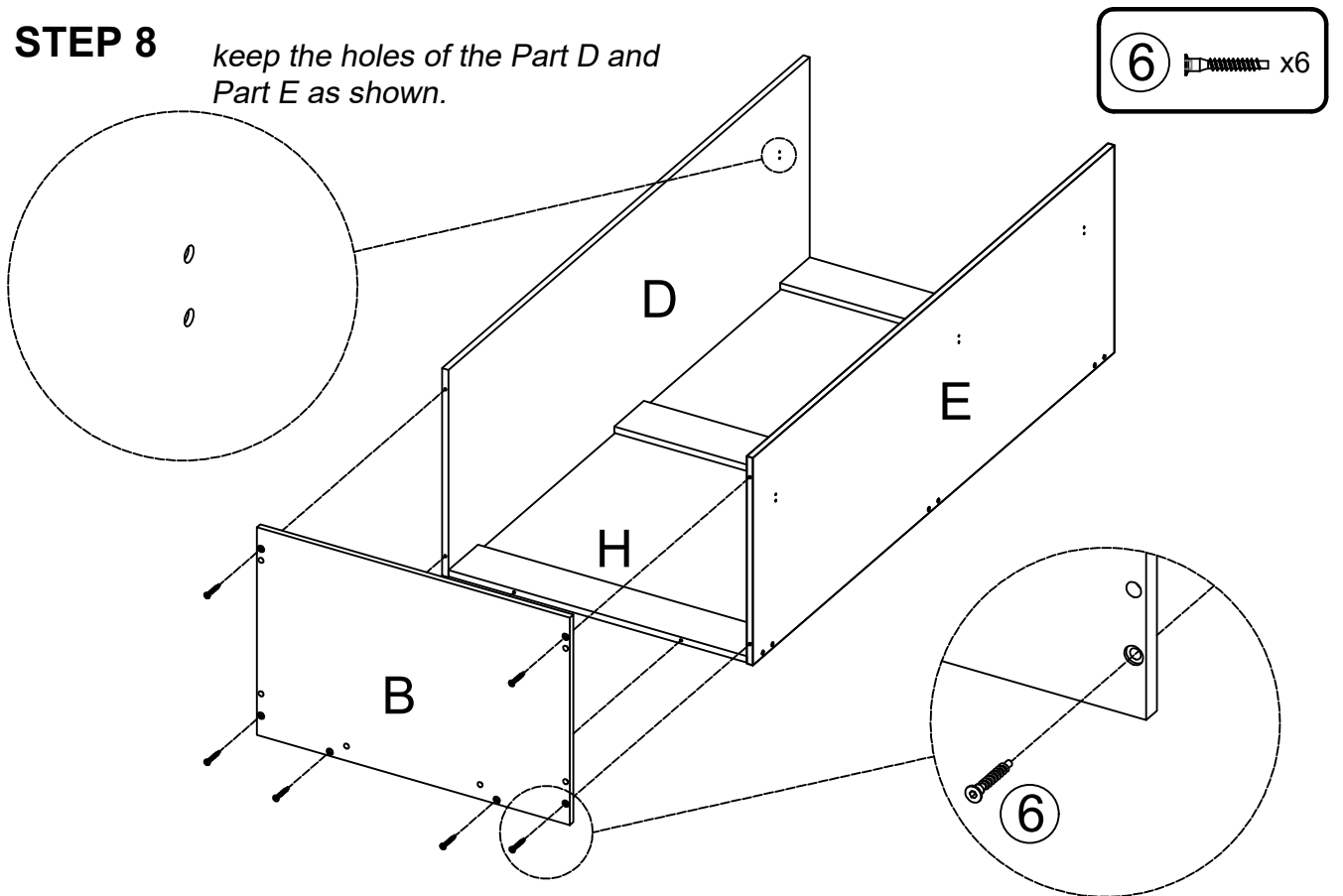


STEP 7

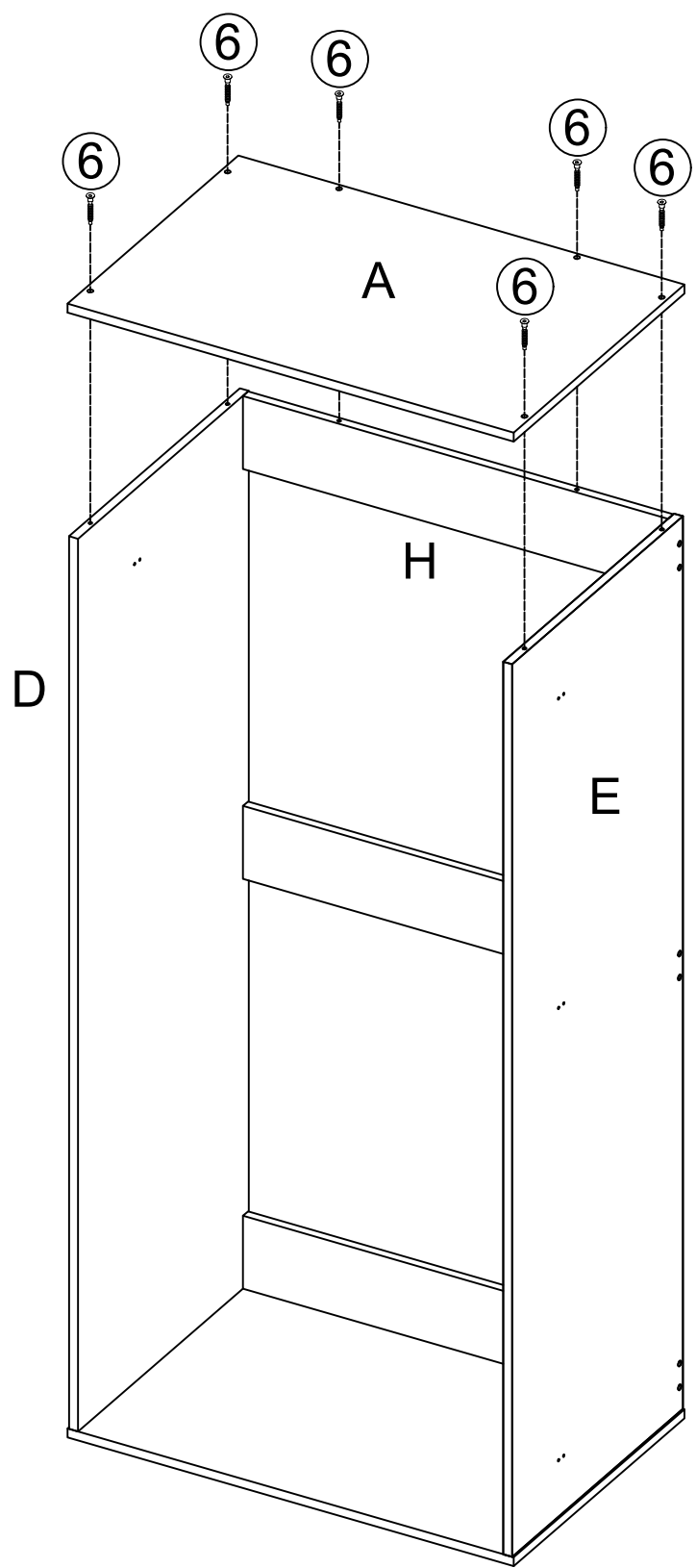
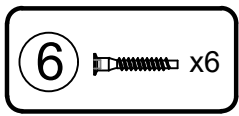


STEP 8




keep the holes of the Part D and Part E as shown.

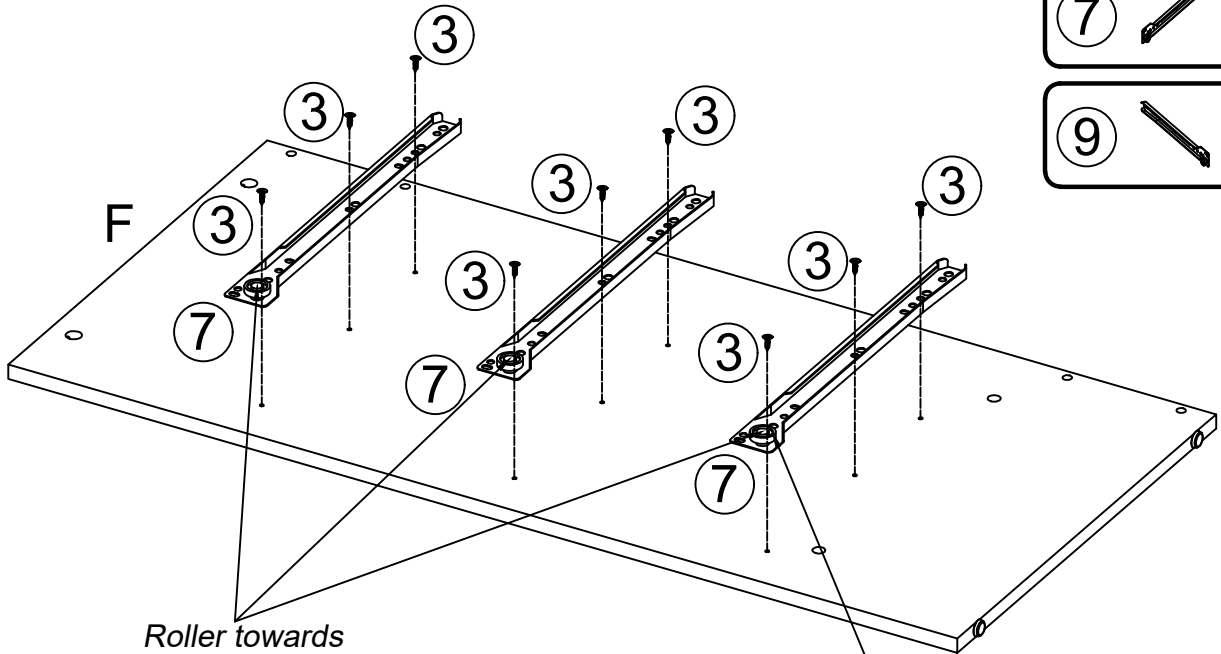


STEP 9



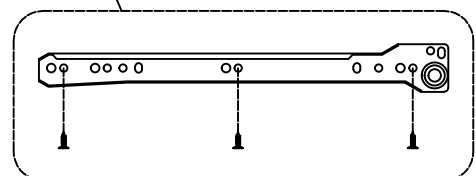
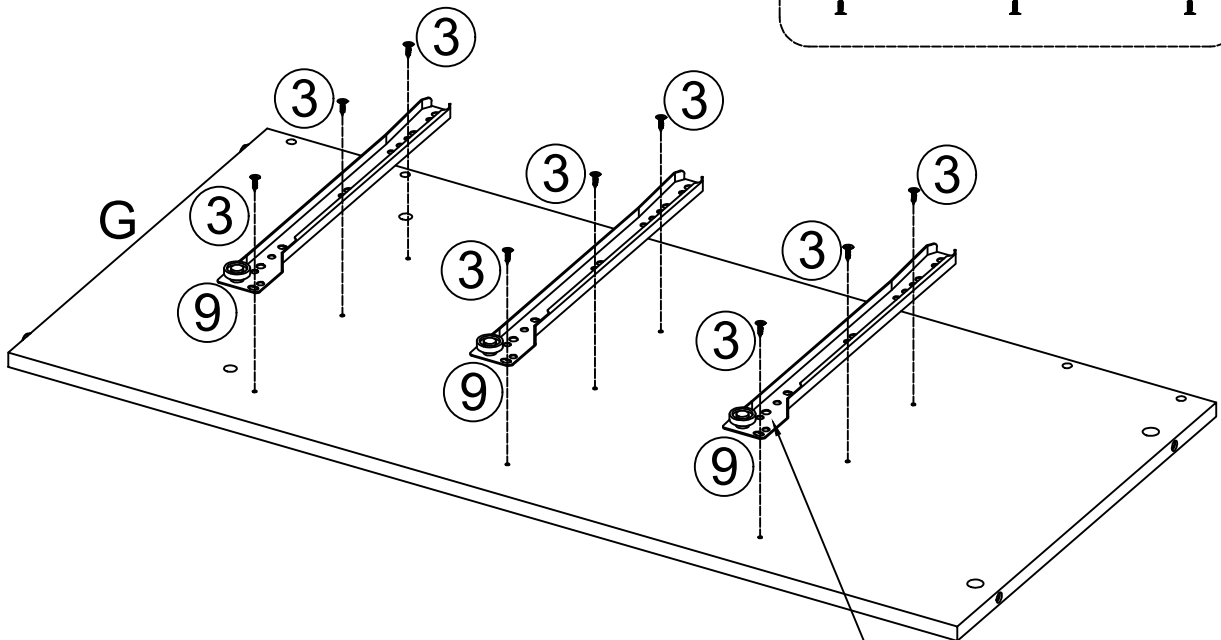
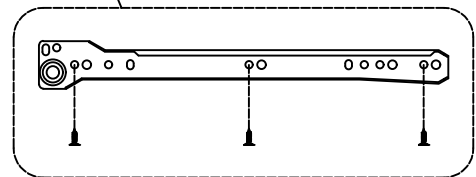
STEP 10

- ③  x18
- ⑦  x3
- ⑨  x3

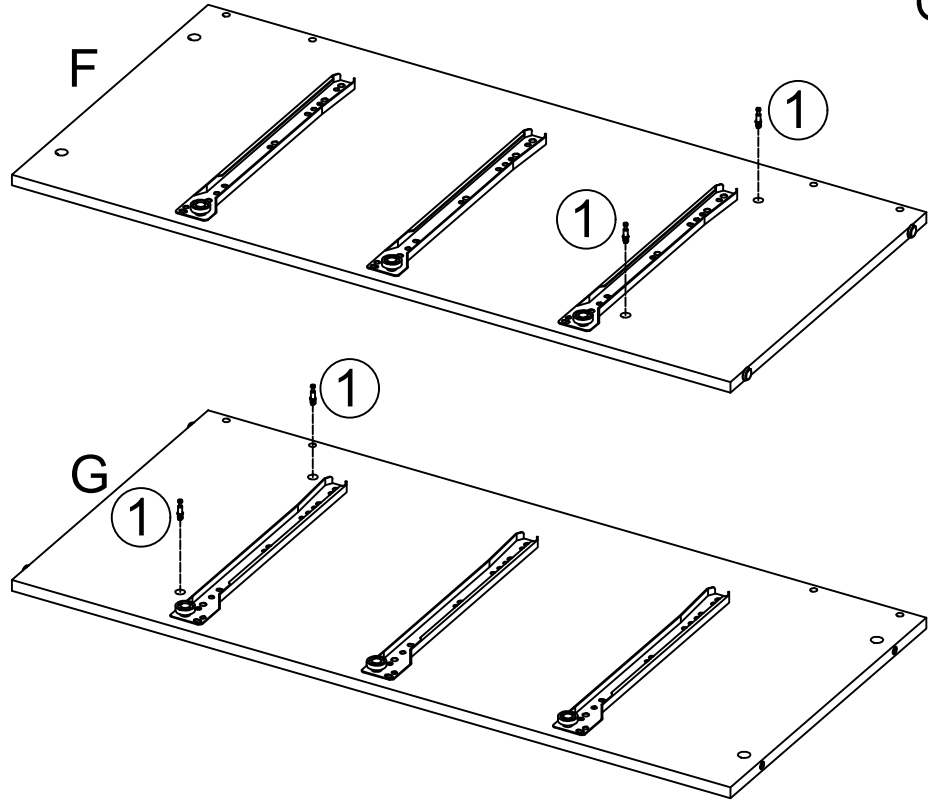
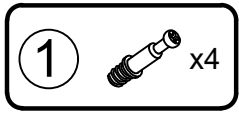


Roller towards bottom.

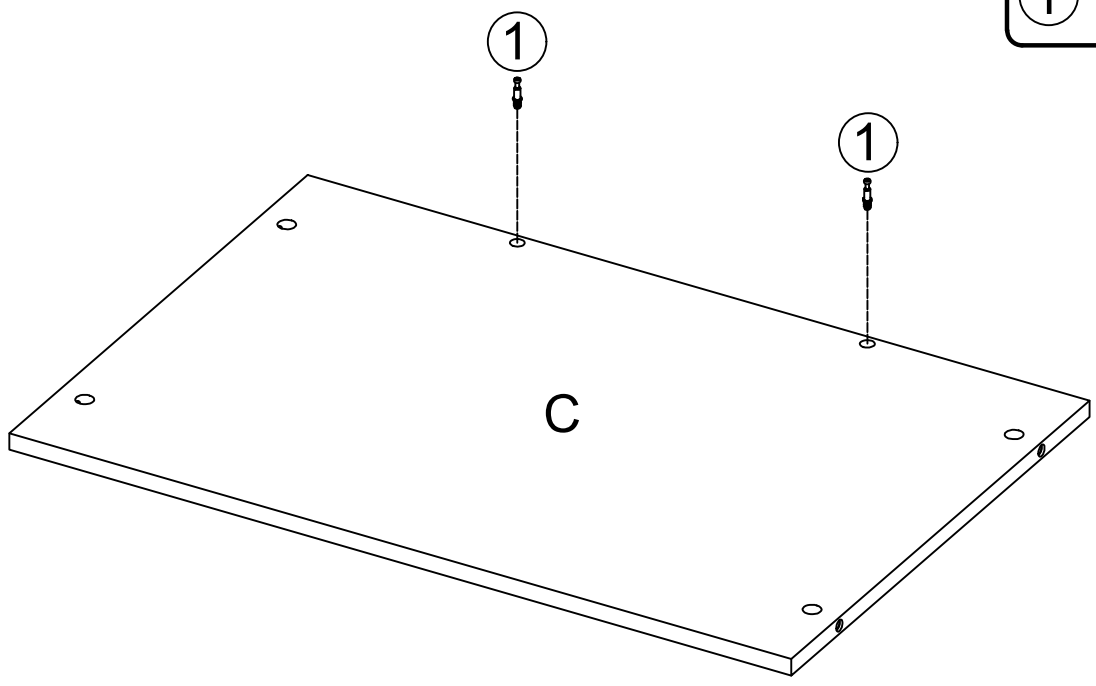
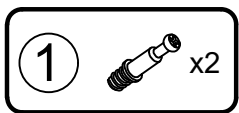
Note the direction of the rollers on the slide rail.




STEP 11

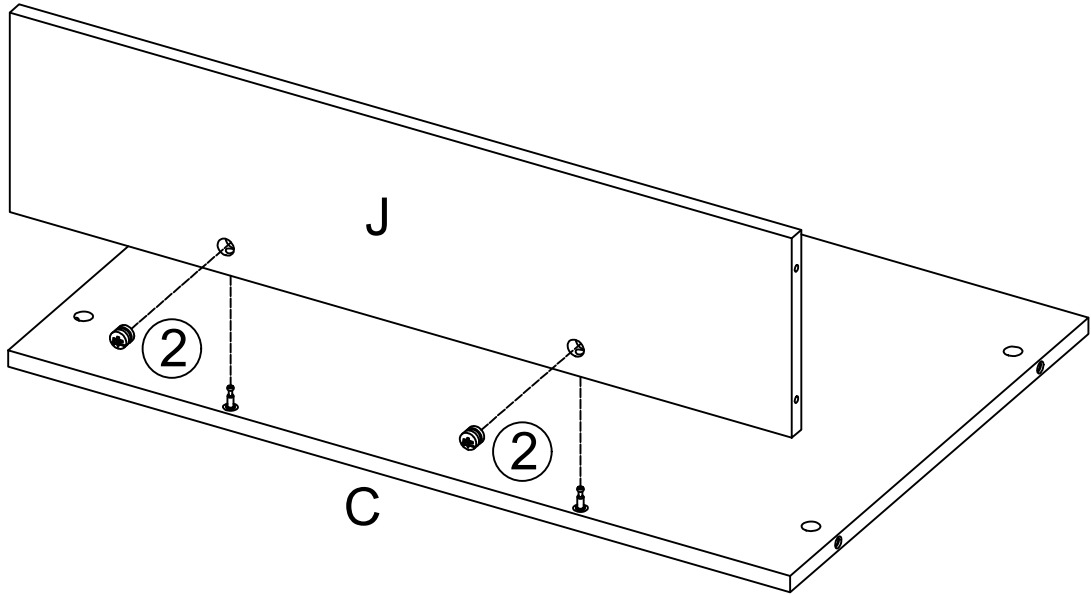


STEP 12




STEP 13


2  x2

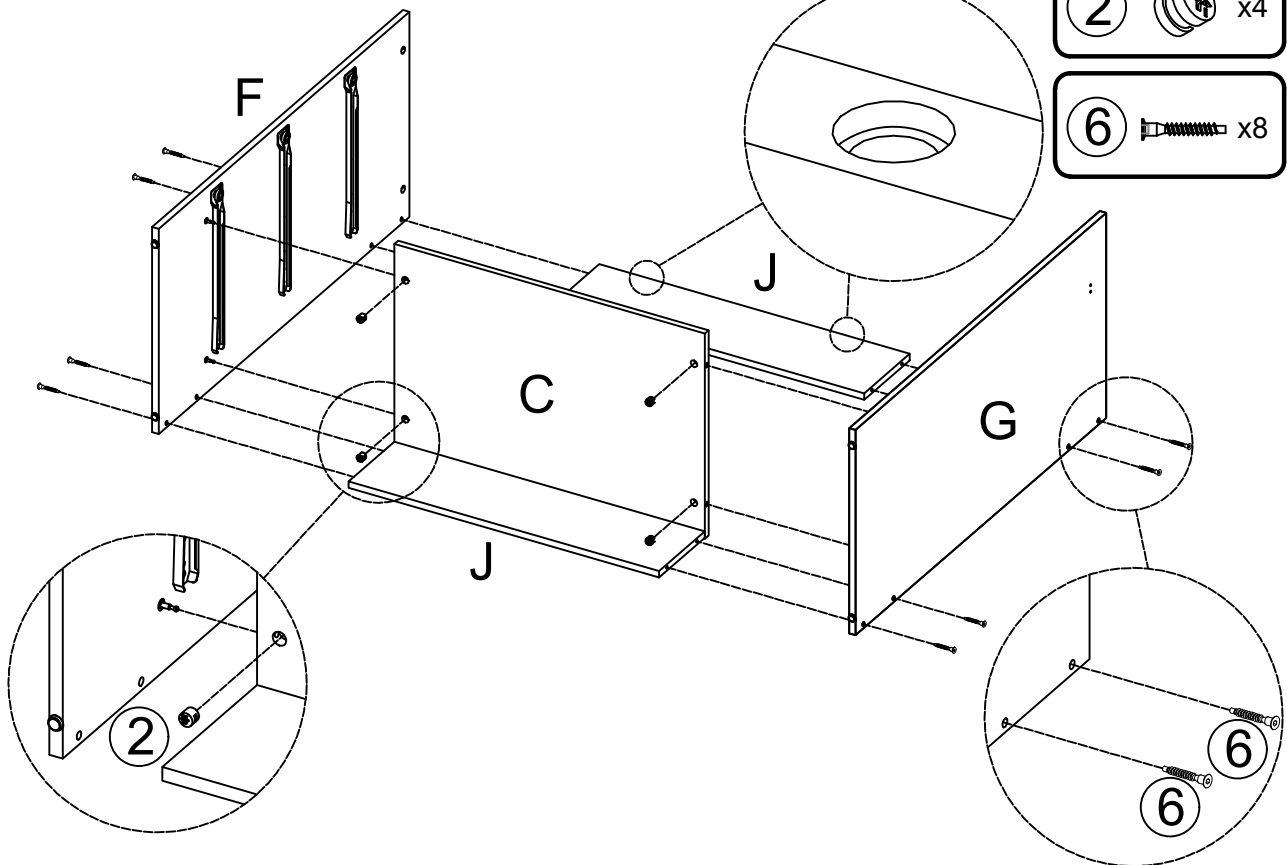


STEP 14

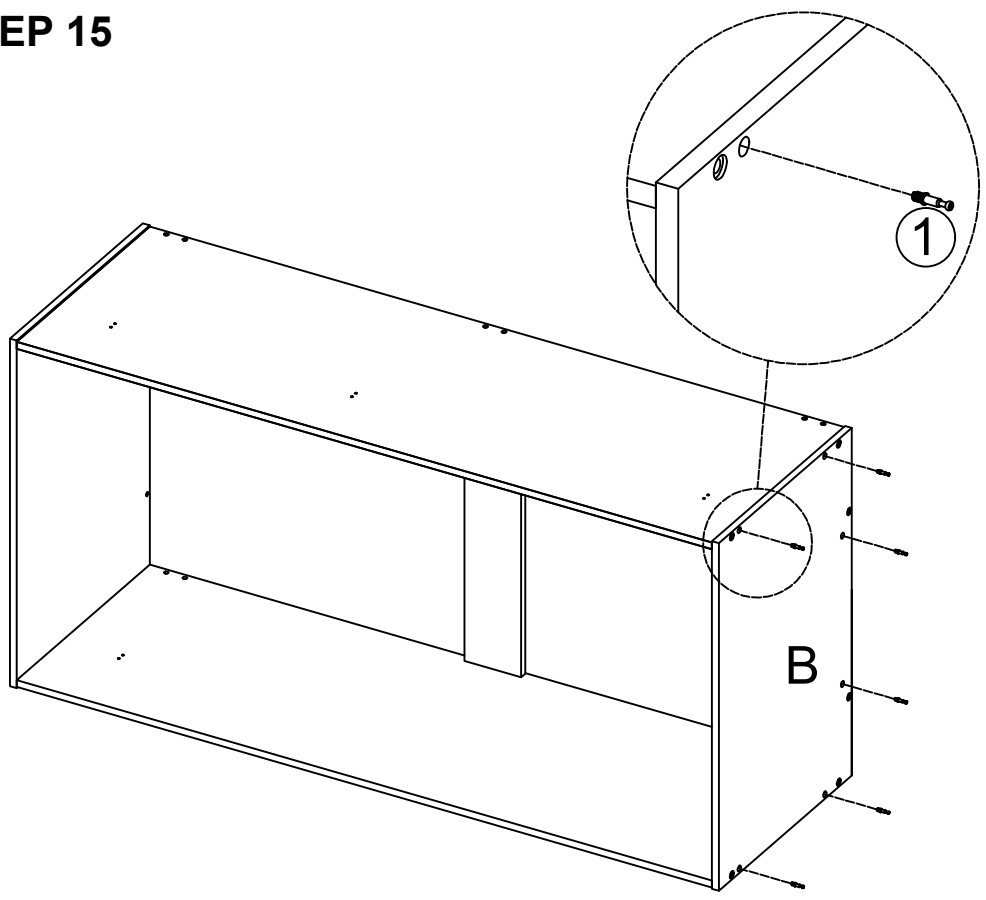
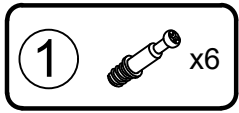
This hole is facing upwards.

2  x4

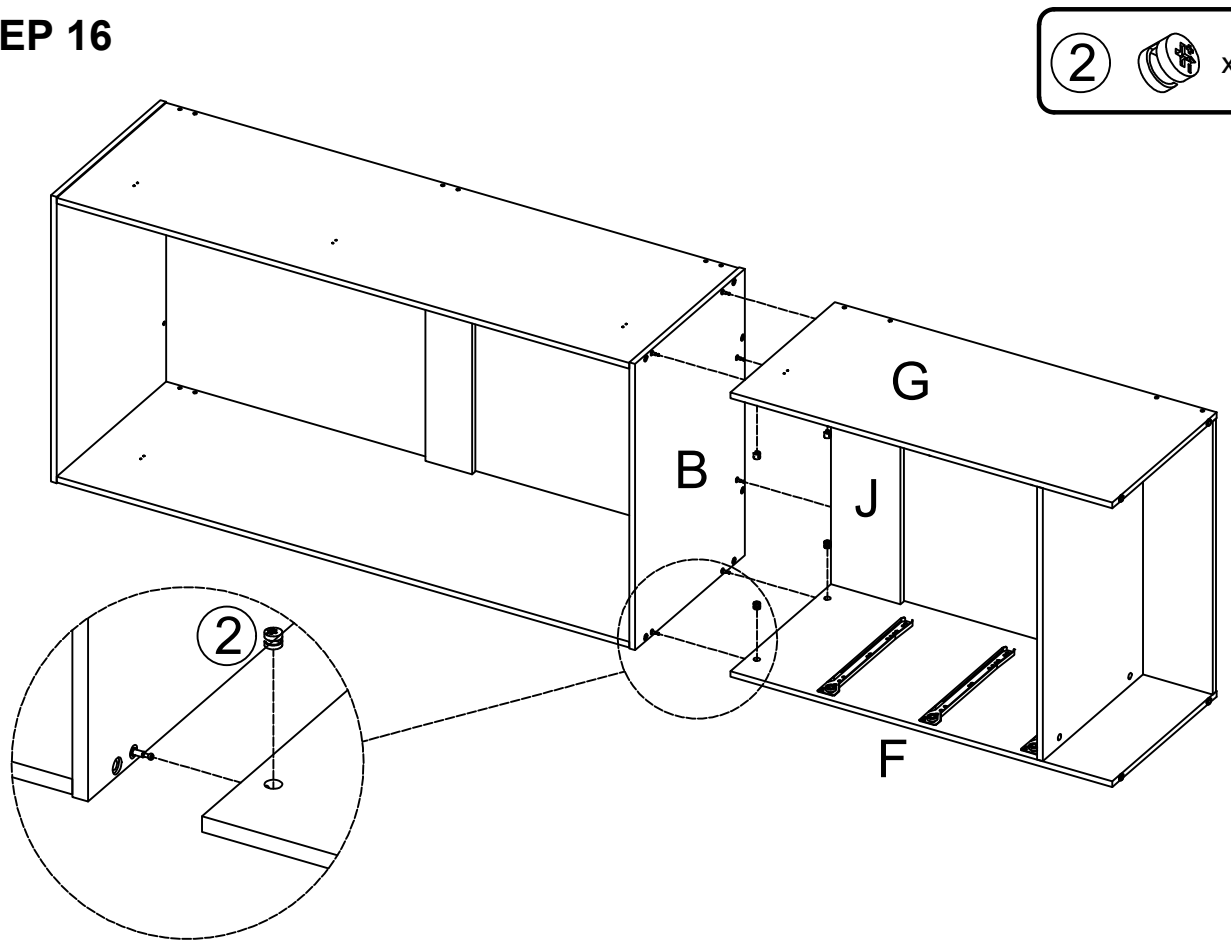
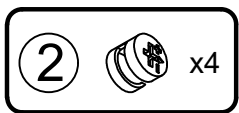
6  x8



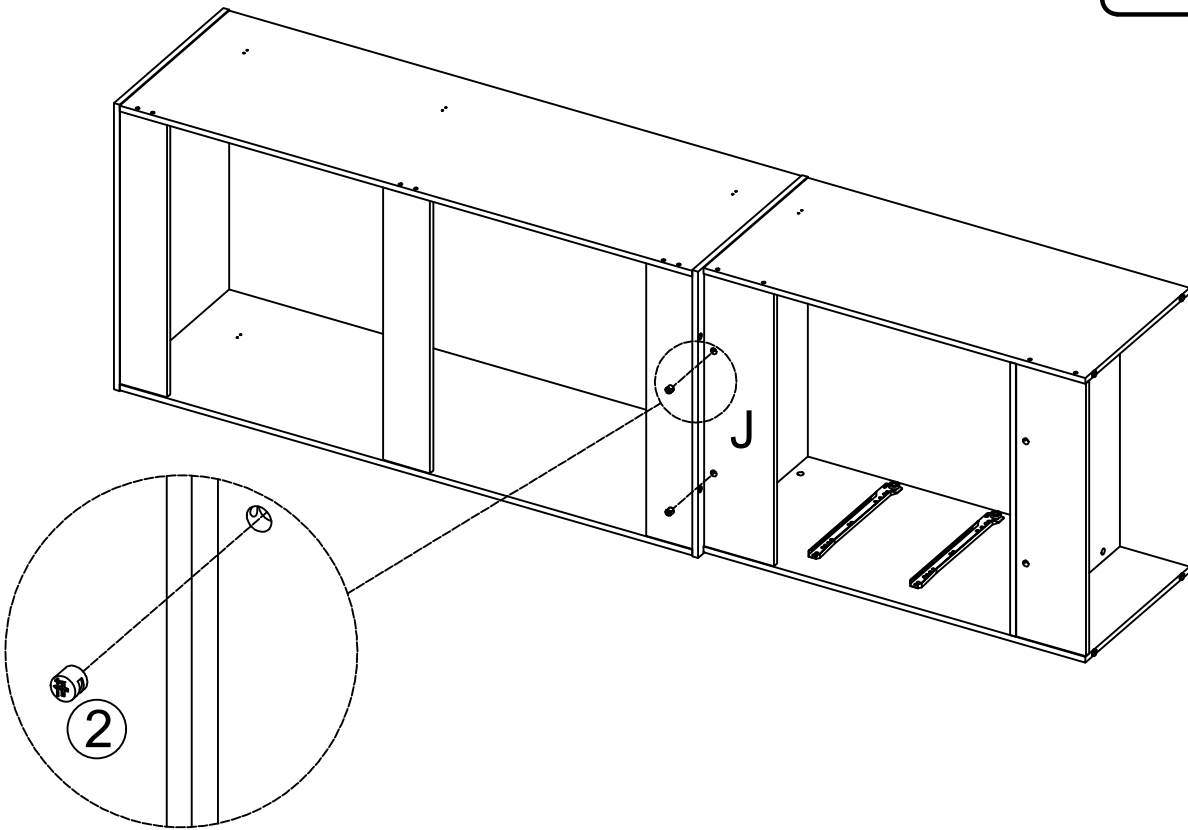
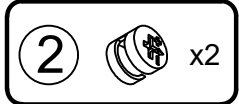
STEP 15



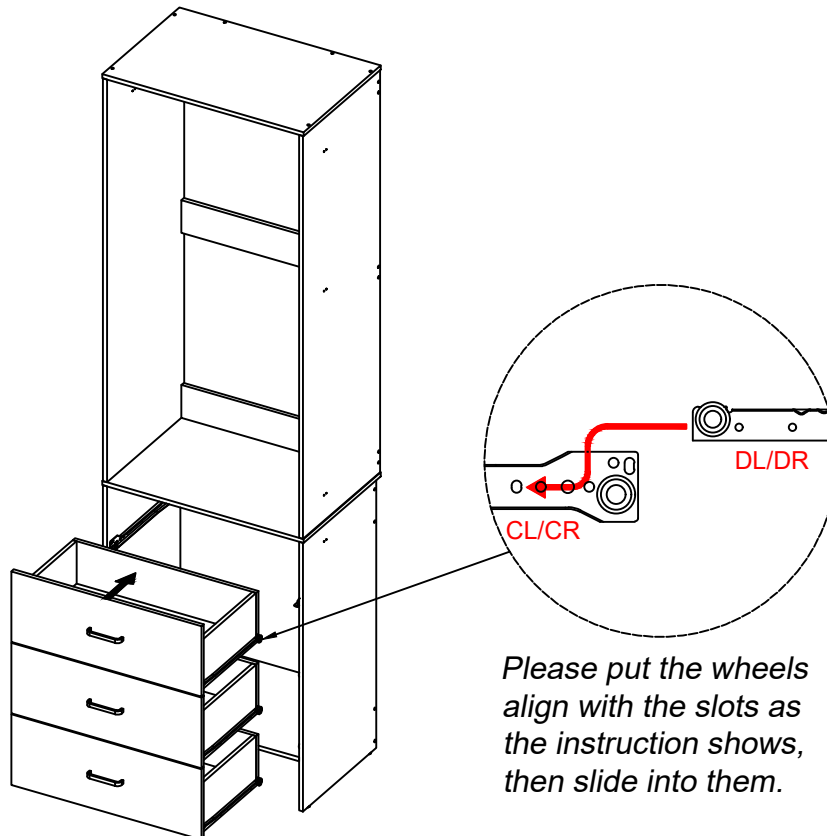
STEP 16



STEP 17

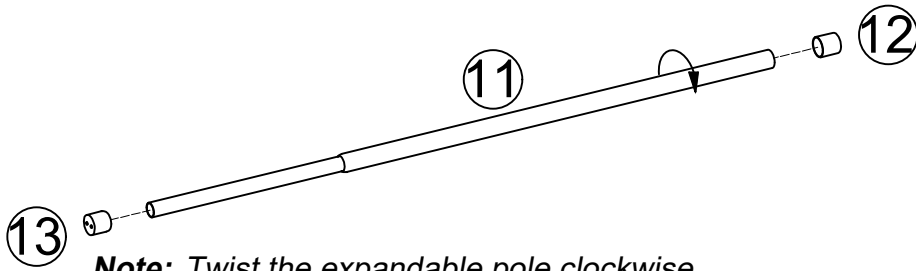


STEP 18







Please put the wheels align with the slots as the instruction shows, then slide into them.

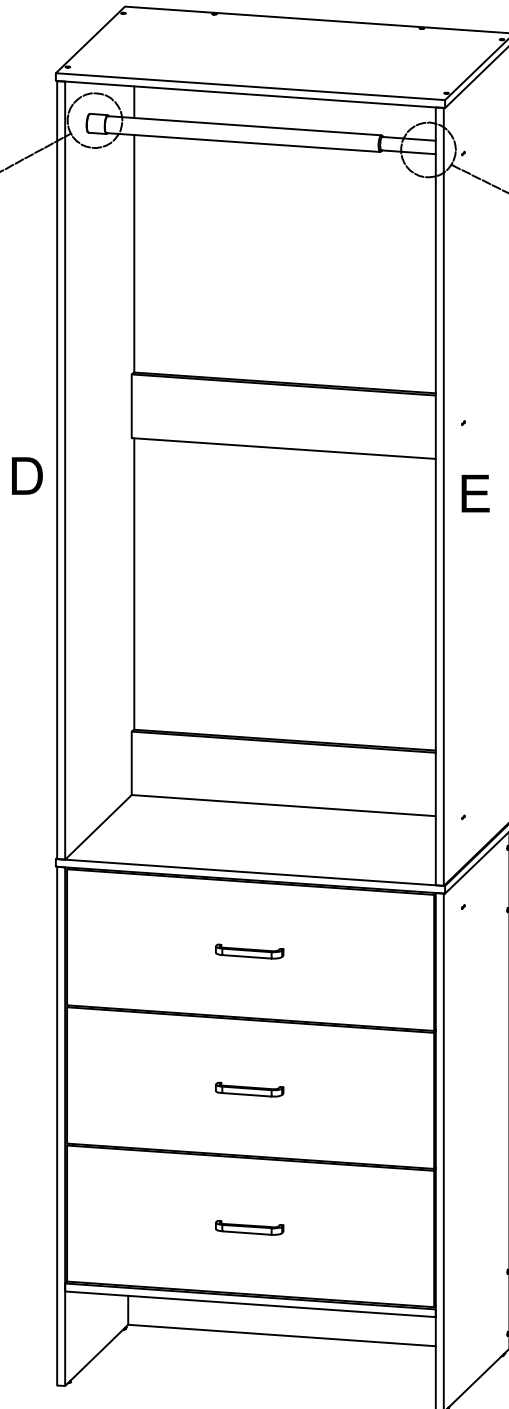
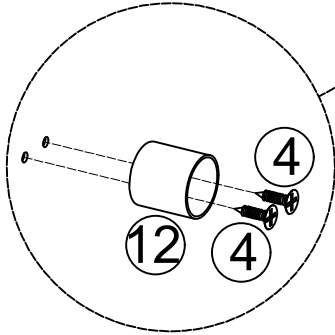
STEP 19



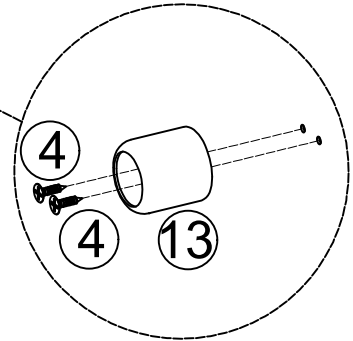
Note: Twist the expandable pole clockwise to tighten. anticlockwise to loosen.

- 4  x4
- 11  x1
- 12  x1
- 13  x1

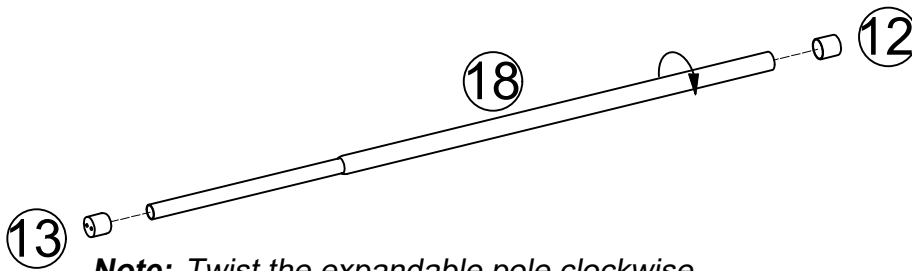
CABINET







CABINET

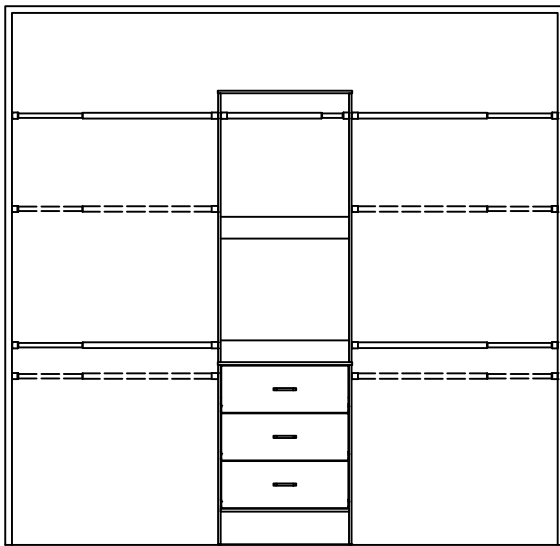


STEP 20

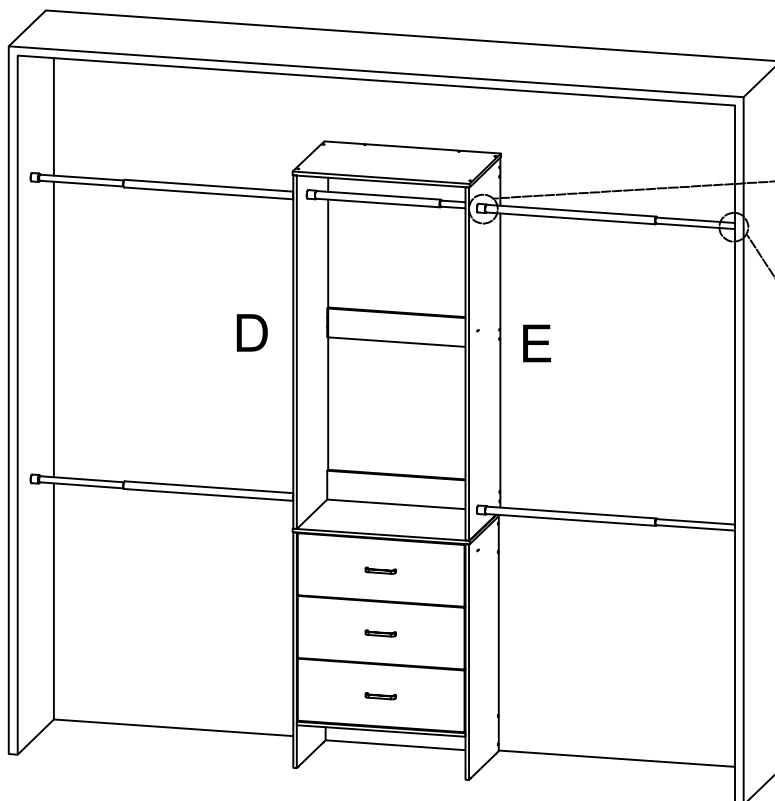


Note: Twist the expandable pole clockwise to tighten. anticlockwise to loosen.

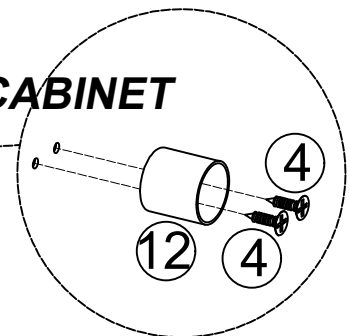
- ④  x8
- ⑫  x4
- ⑬  x4
- ⑱  x8



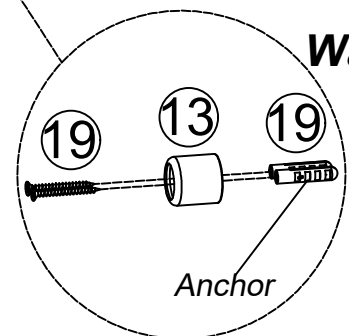
There are four height options on both sides here, please choose the one you like.



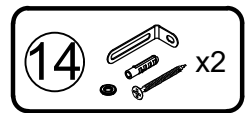
CABINET



Wall

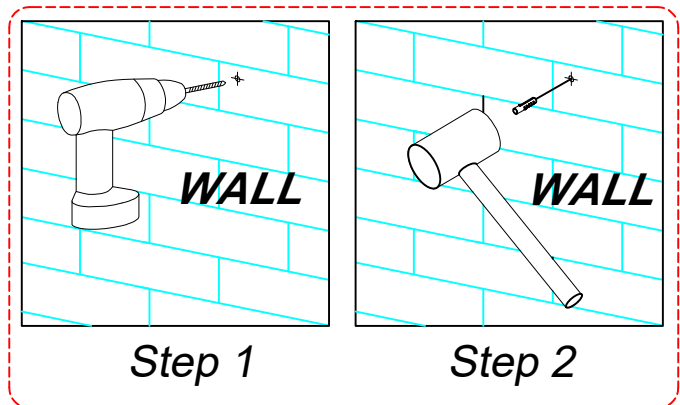


TIPPING RESTRAINT HARDWARE



Note: We have included two Tipping Restraint Hardware set for this Unit. When properly installed, this restraint can provide protection against the unexpected tipping of the Unit due to small tremors, bumps or climbing. We strongly recommend mounting this hardware to a wall stud and your Unit.

Note: You must install the Tipping Restraint Hardware with the unit in use to prevent any accidents or damage to the unit.



Please unscrew the Part ⑥ screw first, then install Part ⑭.

