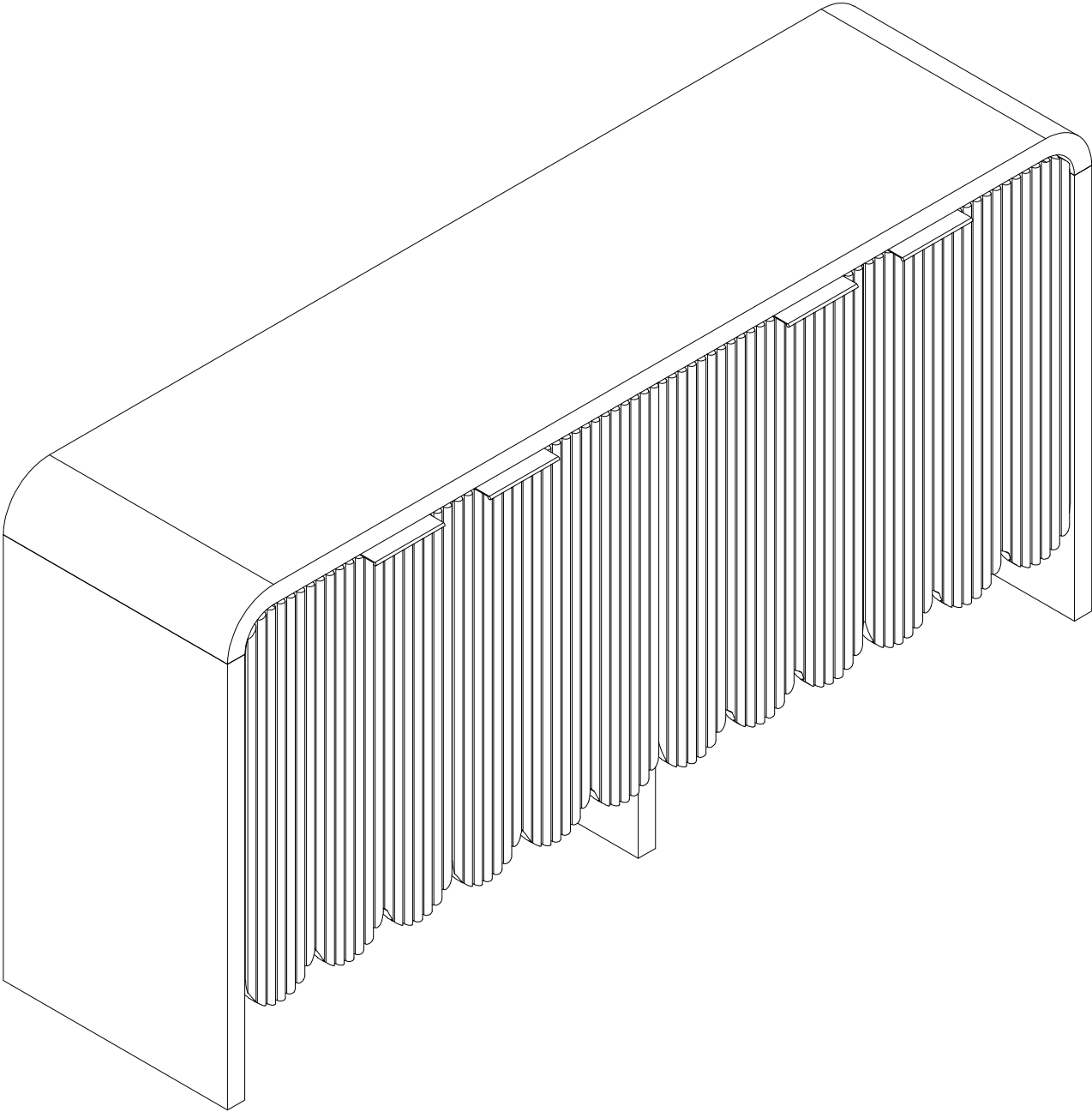


Installation Instruction



Product name

4 Door Cabinet

Ver.1.0 20250625

Friendly Reminder:

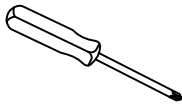
Assembling with damaged panels may affect after-sales service. Please check the integrity of all panels before assembly. If any damage is found:

- ✓ Take photos of the damaged area from multiple angles (preferably under natural light)
- ✓ Keep all packaging materials
- ✓ Do not assemble the product and contact online customer service immediately

Assembling

What you need

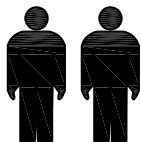
- Use the packaging carton as a working surface to prevent product damage during assembly
- Phillips head screwdriver



Weight Limitation



50 | 22
lbs table top | lbs per sheif



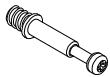
2 PERSONS

What ' s included

| Code | Description | Qty |
|------|-----------------------------|-----|
| A | Cam Bolt Ø6X35mm | 32 |
| B | Cam Lock Ø15X10mm | 32 |
| C | Wooden Dowel Ø6X30mm | 26 |
| D | Screw M4X35mm | 4 |
| E | Screw M4X14mm | 48 |
| F | Hinge | 4 |
| G | Hinge | 4 |
| H | Screw M3X16mm | 8 |
| I | Plastic Corner Support | 8 |
| J | Lock wall anti-reverse tape | 2 |
| K | handle | 4 |
| L | Screw M3X12mm | 8 |
| M | MetaL Support | 8 |
| N | EVA Leg Pad | 6 |

The hardwares

(A)



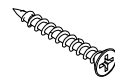
(B)



(C)



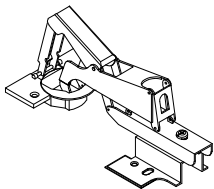
(D)



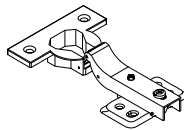
(E)



(F)



(G)



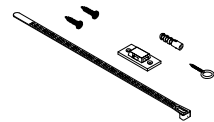
(H)



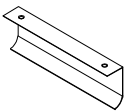
(I)



(J)



(K)



(L)



(M)

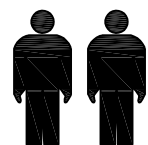


(N)



IMPORTANT:

1. Do not tighten bolts / screws completely until all bolts / screws are lined up and inserted into holes.
2. Do not over tighten screws and bolts to avoid stripping.
3. Please use hand tools to assemble this product. Do not use power tools.
4. Must need 2 people to assemble this product.

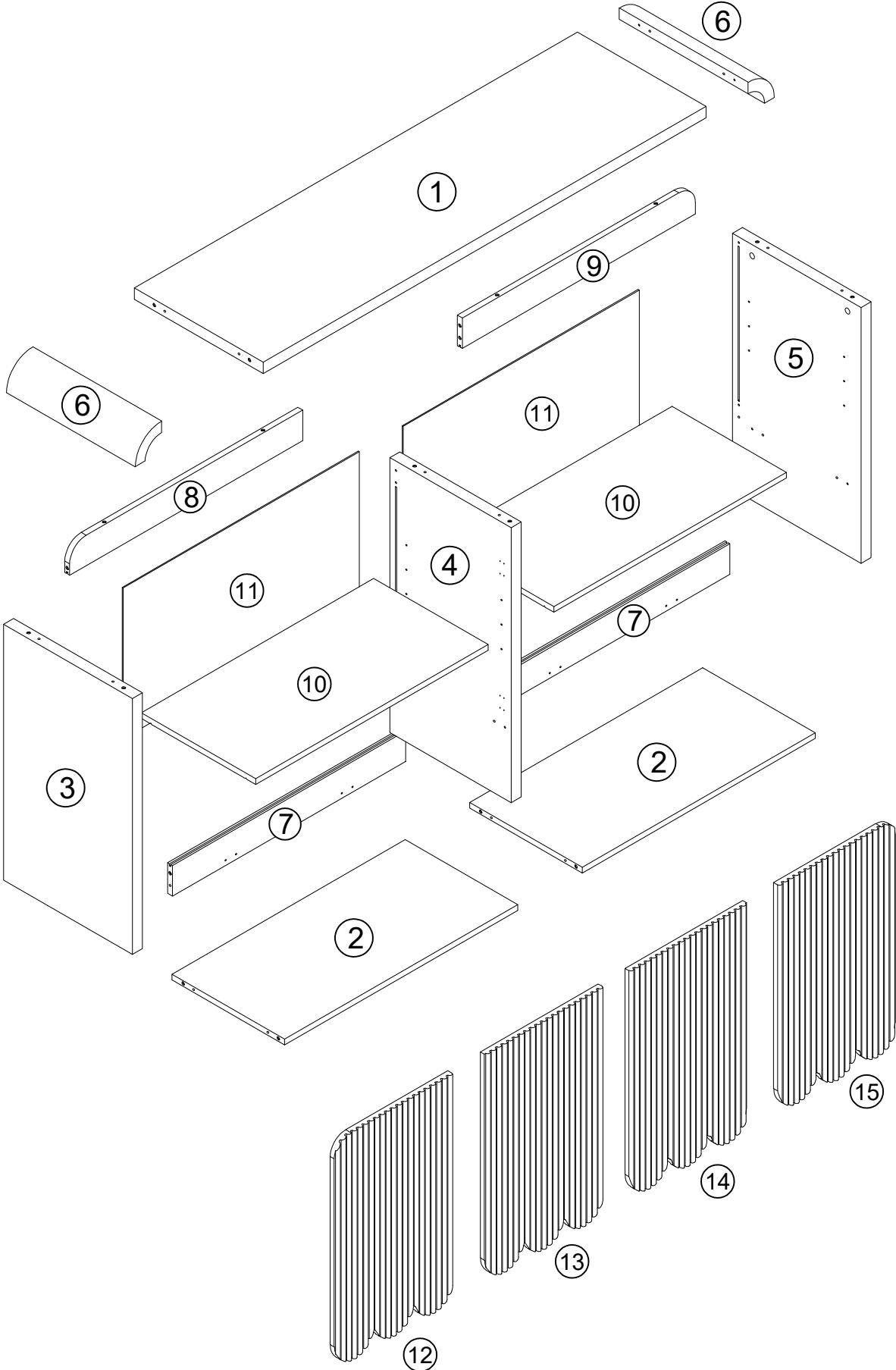


2 PERSONS

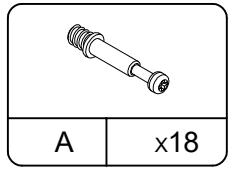
Included Accessories

| Code | Description | Qty |
|------|-----------------------------|-----|
| 1 | Cabinet Top | 1 |
| 2 | Bottom Panel | 2 |
| 3 | Left Side Panel | 1 |
| 4 | Middle Division Panel | 1 |
| 5 | Right Side Pane | 1 |
| 6 | Corner Strip | 2 |
| 7 | Bottom Front Support Bar | 2 |
| 8 | Left rear horizontal strip | 1 |
| 9 | Right rear horizontal strip | 1 |
| 10 | Plywood | 2 |
| 11 | BackPanel | 2 |
| 12 | Door Panel | 1 |
| 13 | Door Panel | 1 |
| 14 | Door Panel | 1 |
| 15 | Door Panel | 1 |

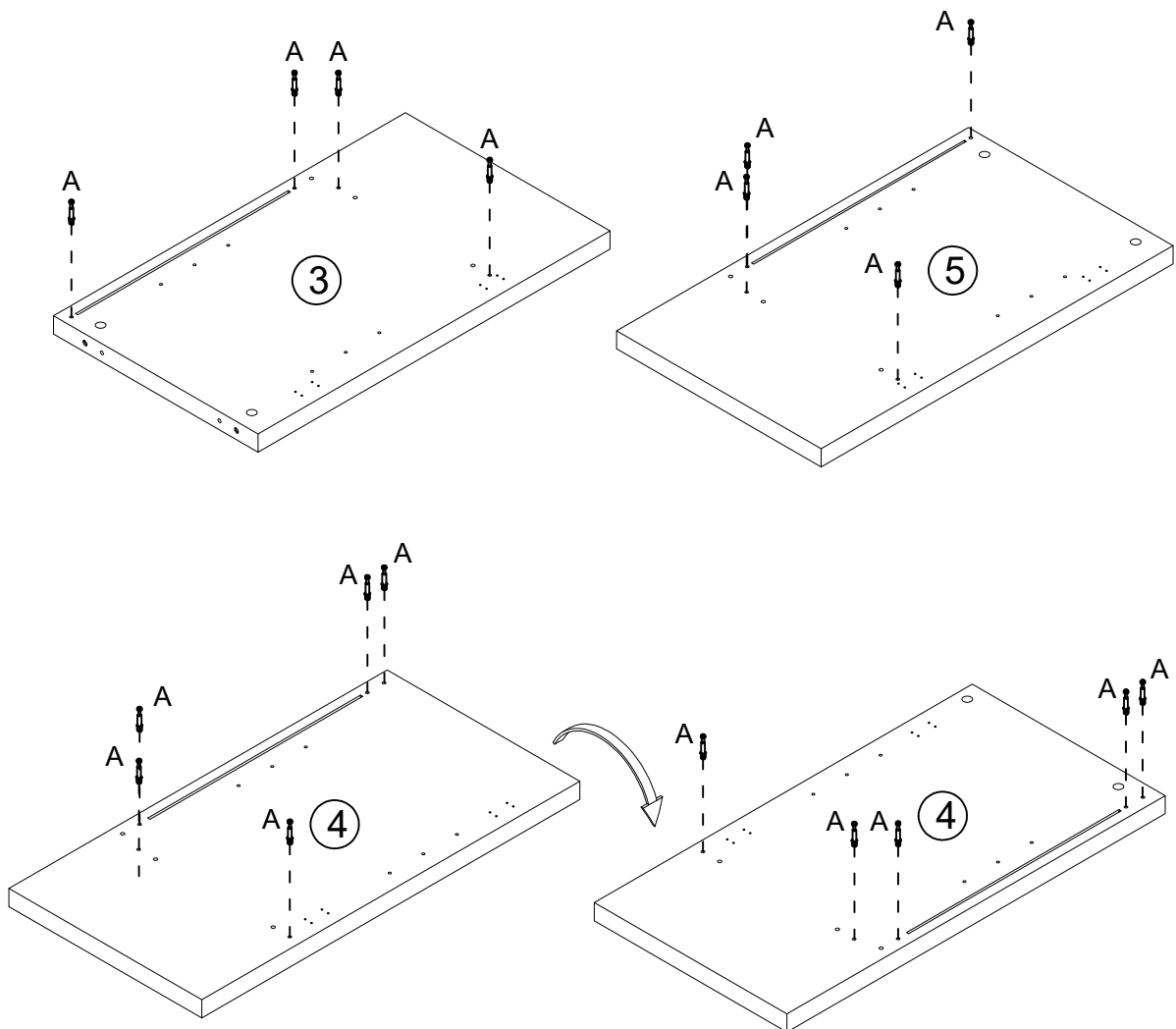
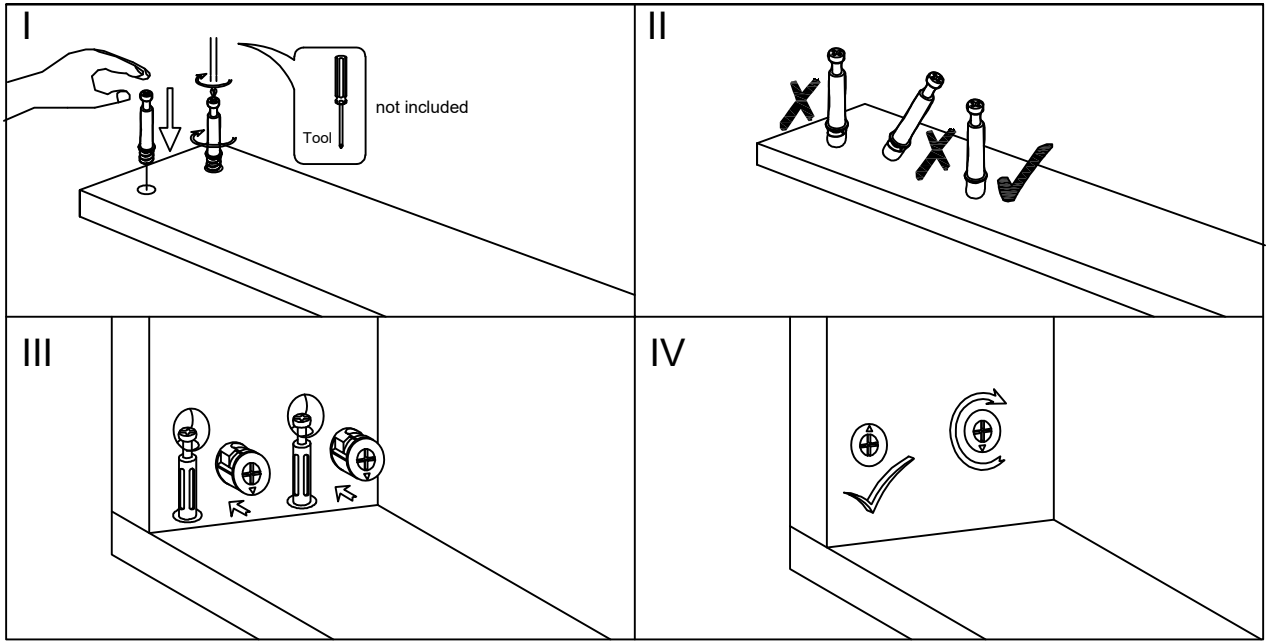
The Accessories



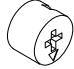


Step 1

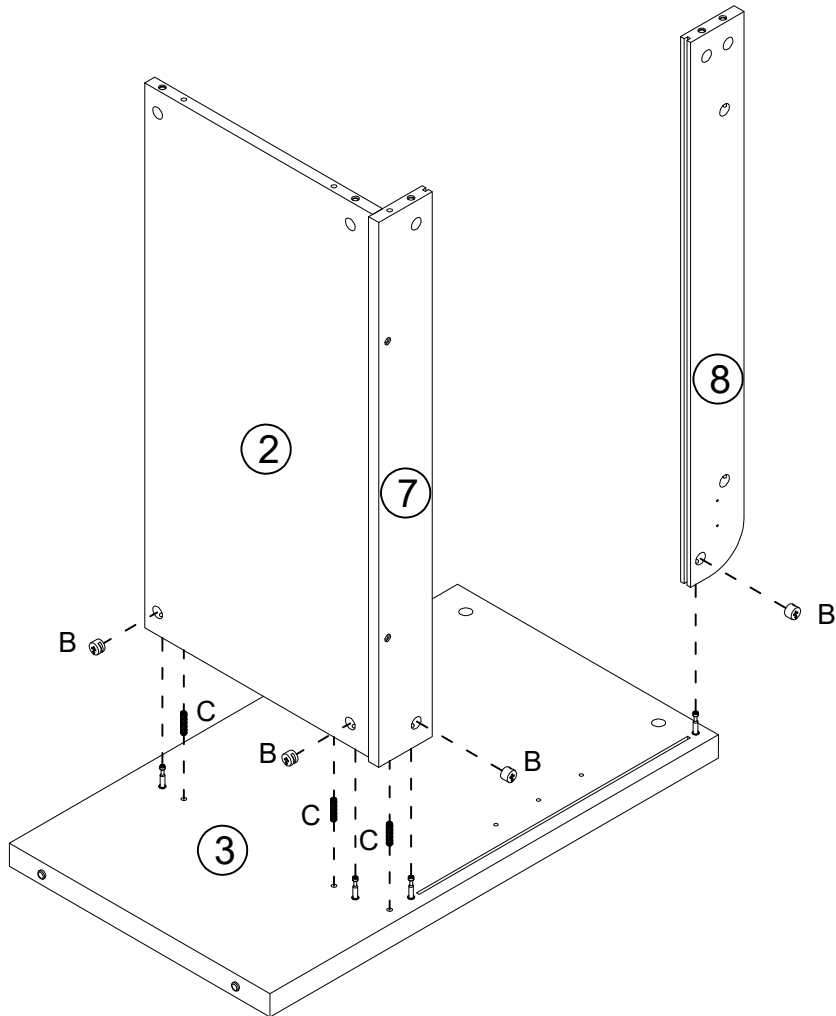
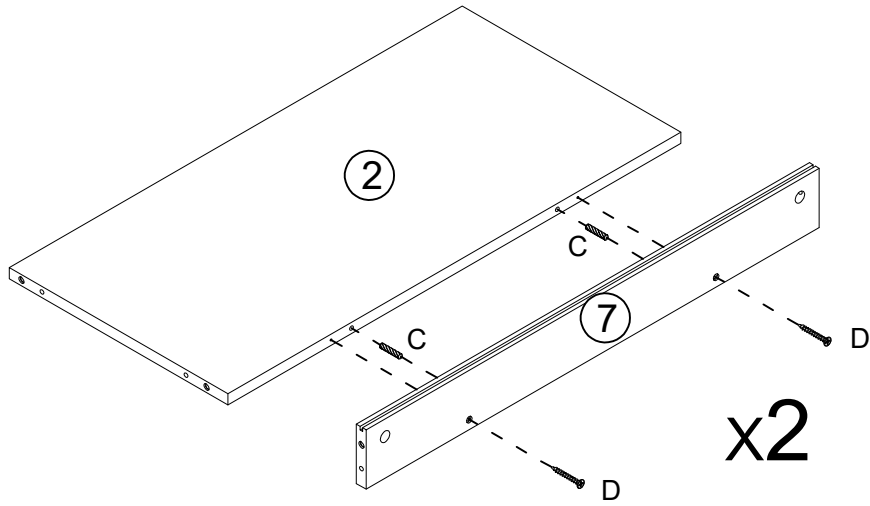


NOTED:





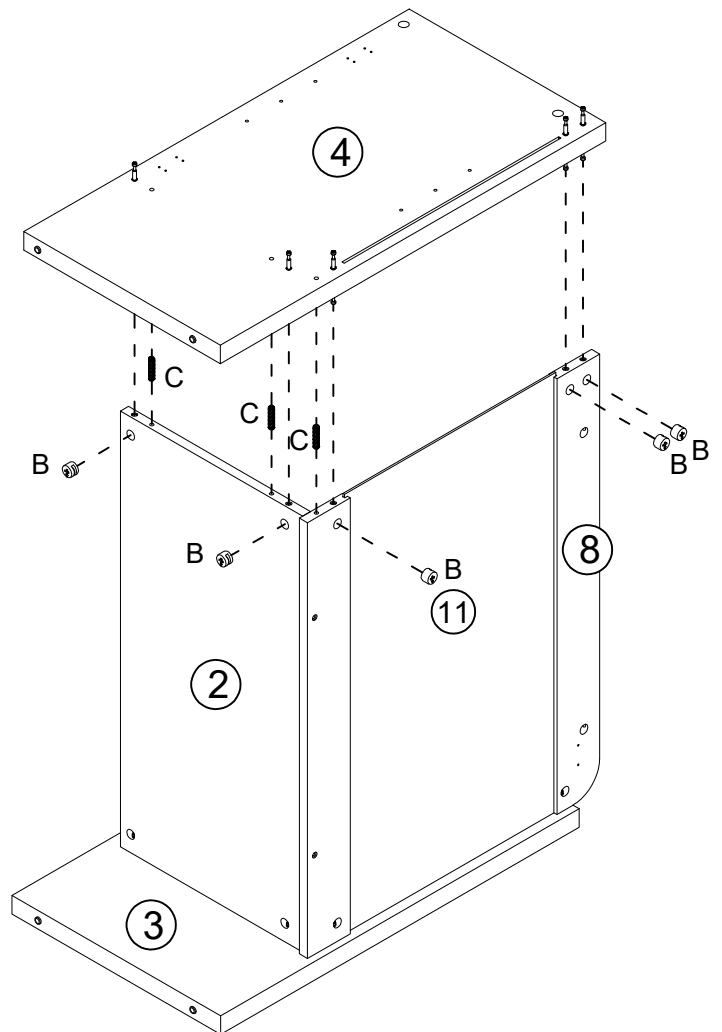
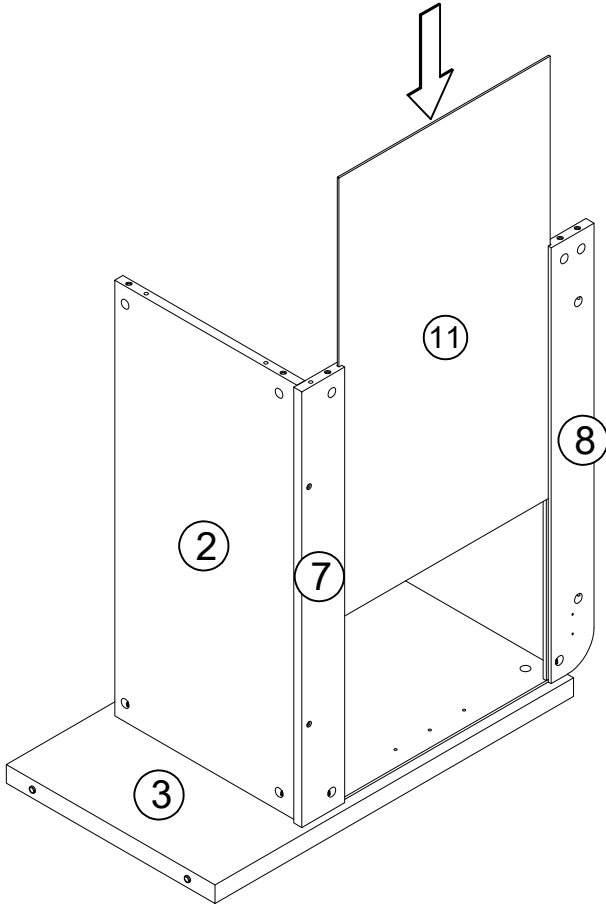
Step 2

| | | | | | |
|---|--|--|----|---|----|
|  |  |  | | | |
| B | x4 | C | x7 | D | x4 |

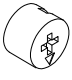



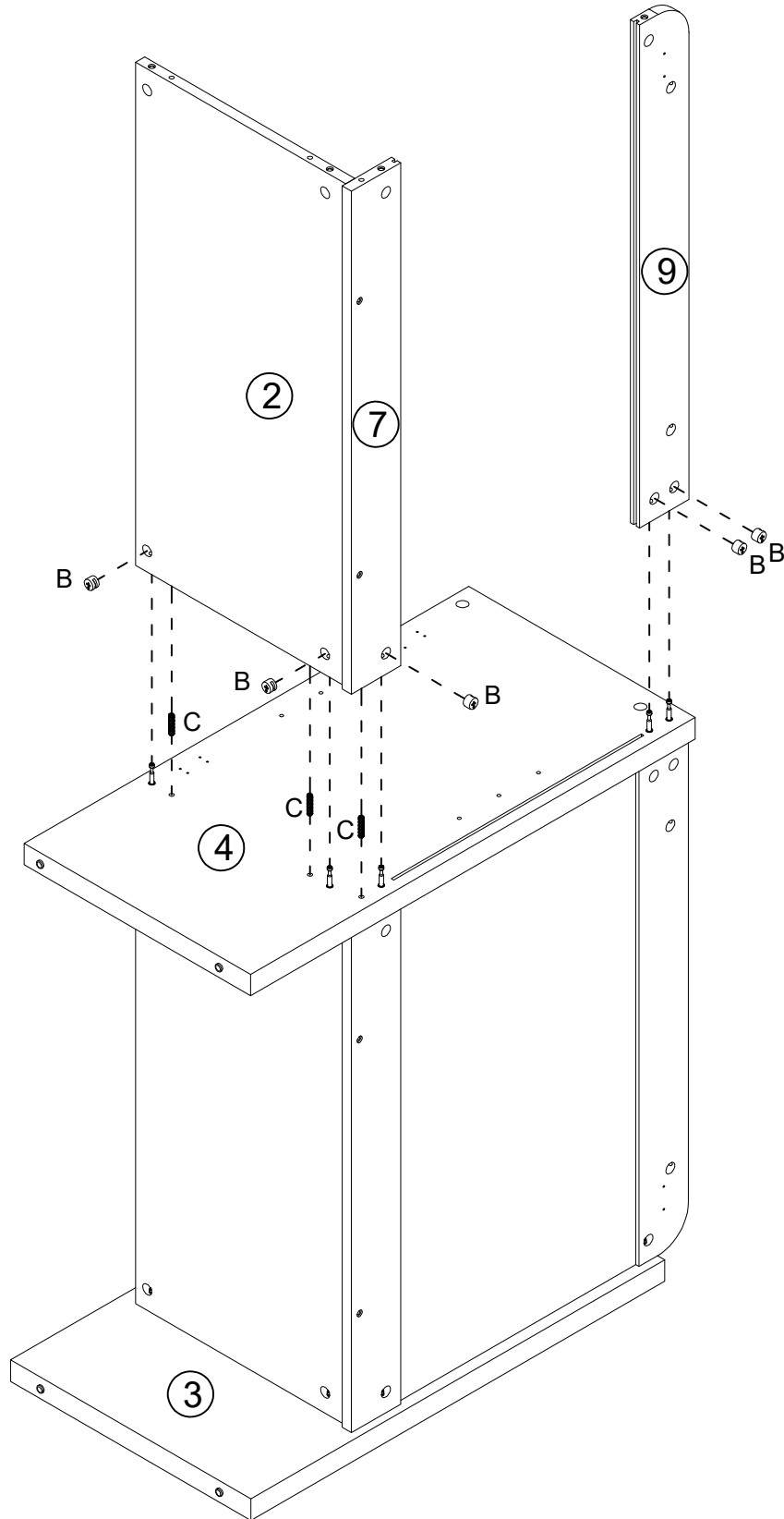
Step 3

| | |
|--|--|
|  |  |
| B | x5 |
| C | x3 |

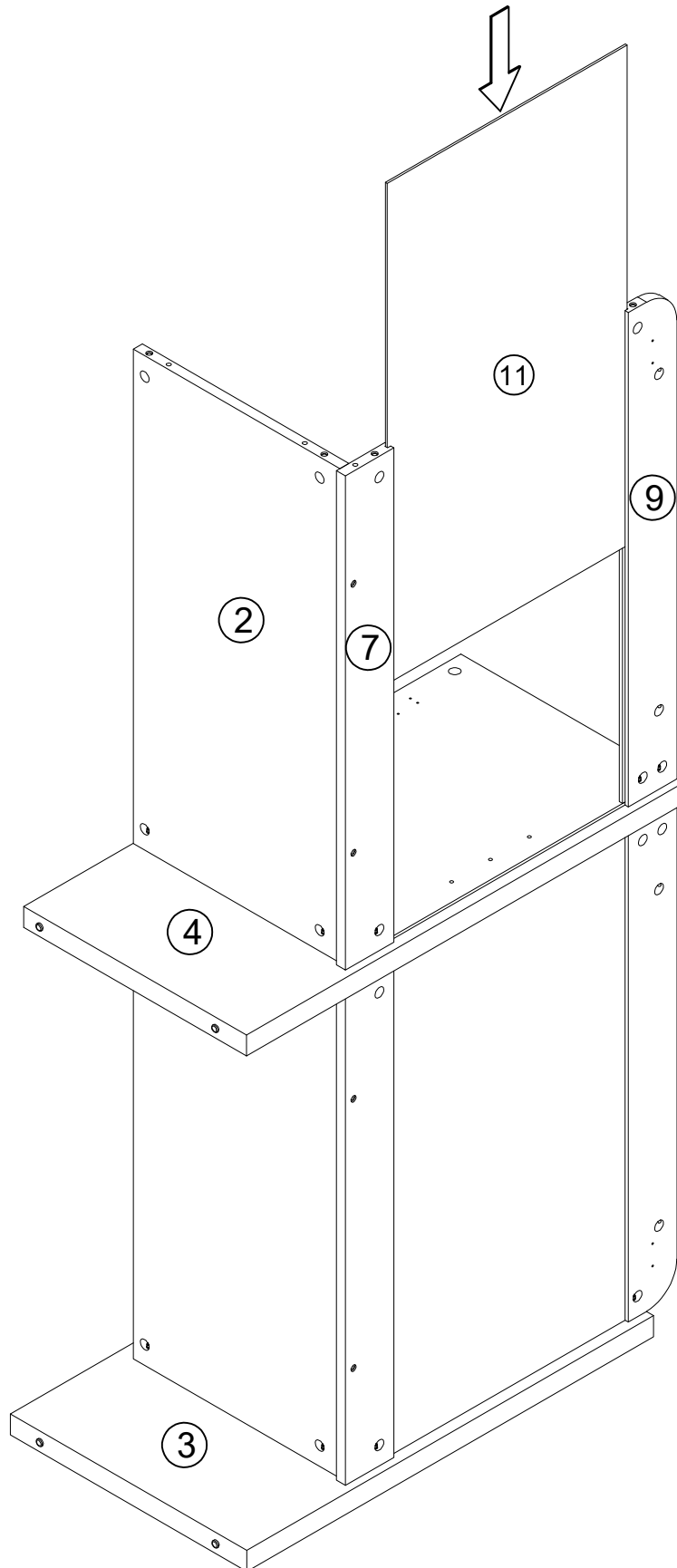


Step 4

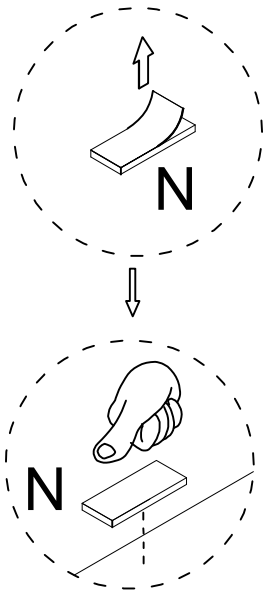
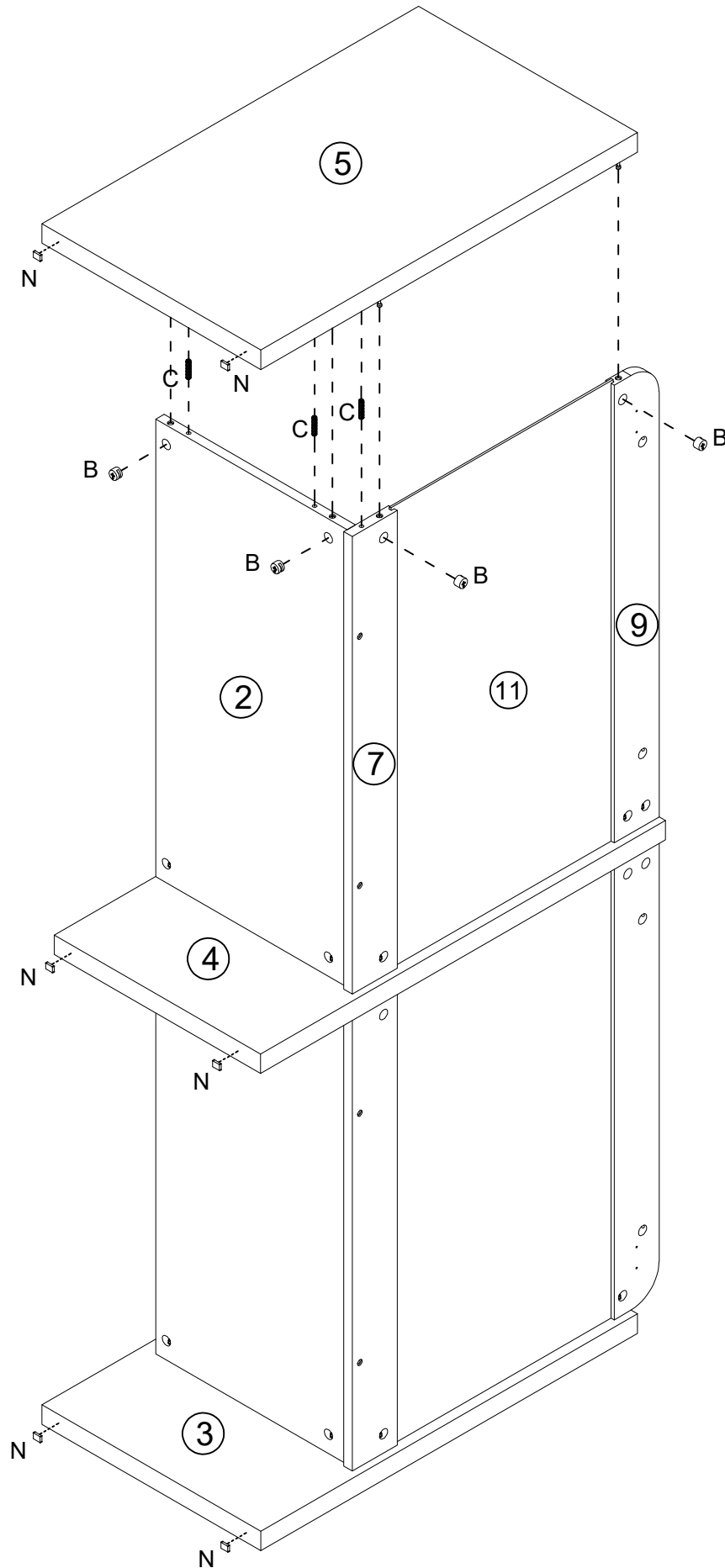
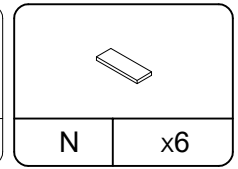
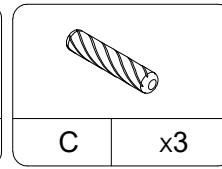
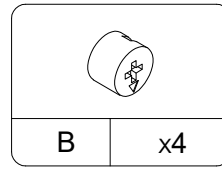
| | |
|--|--|
|  |  |
| B | x5 |
| C | x3 |



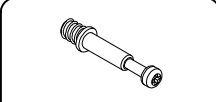
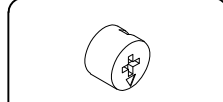

Step 5

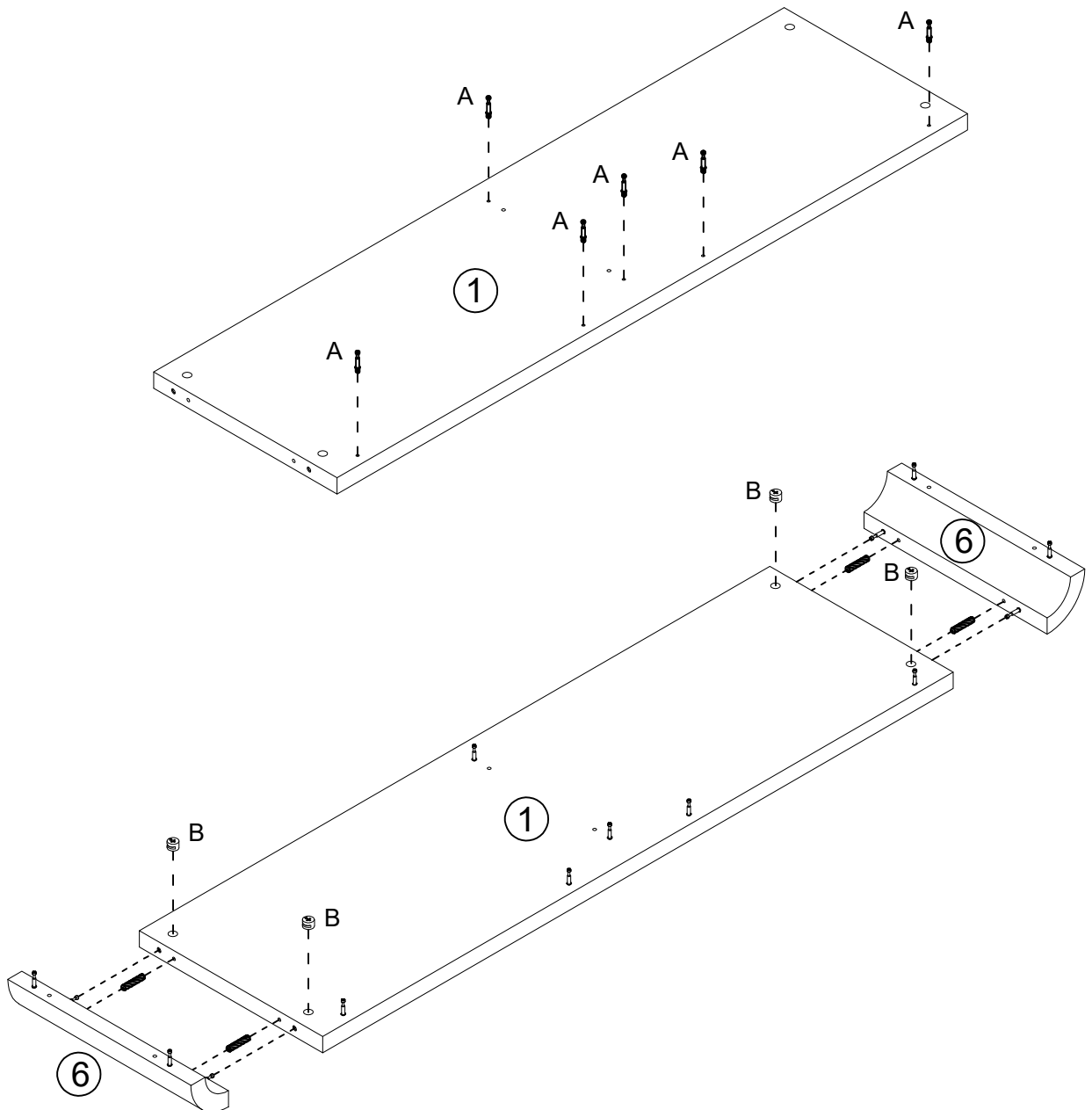
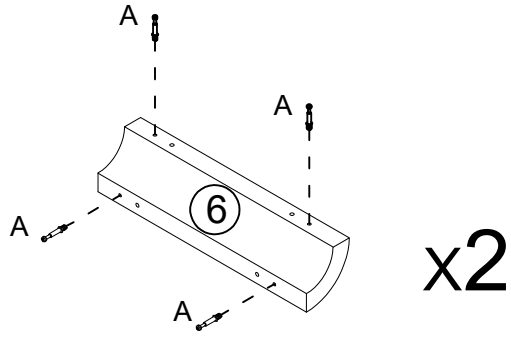


Step 6

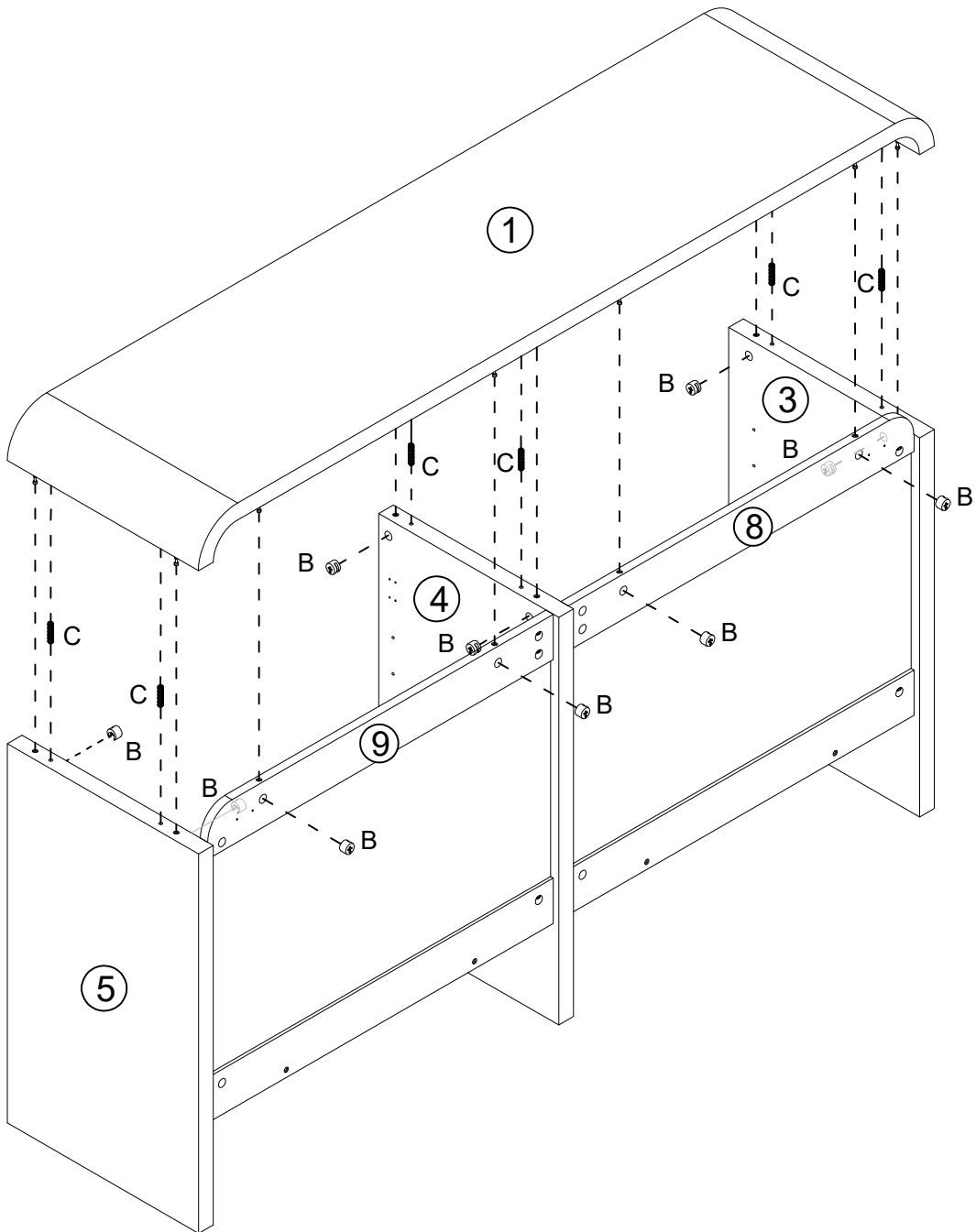
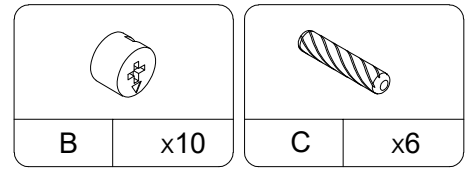


Step 7

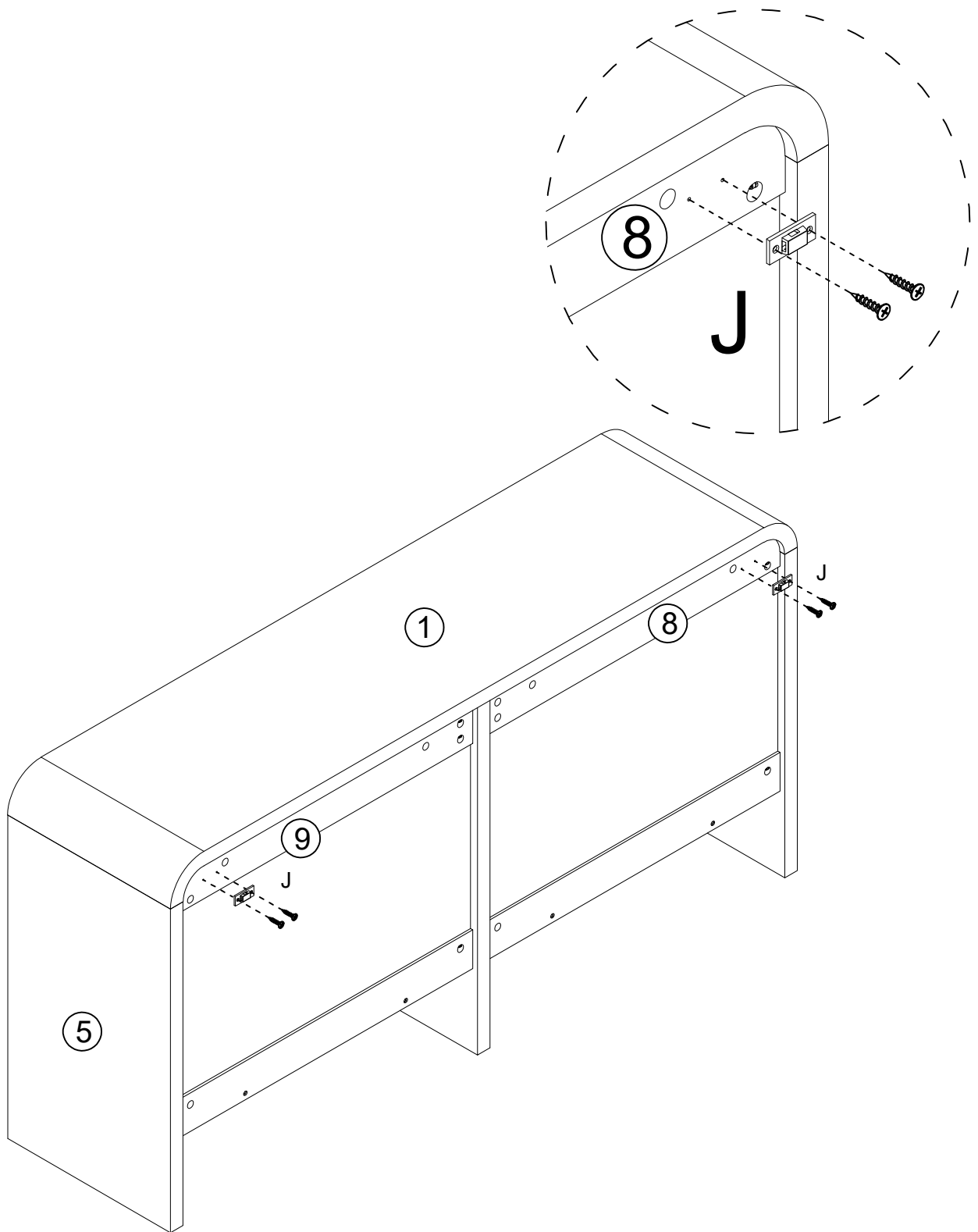
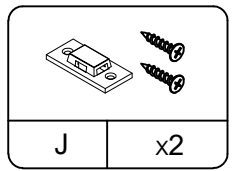
| | | |
|---|--|--|
|  |  |  |
| A | B | C |
| x14 | x4 | x4 |





Step 8

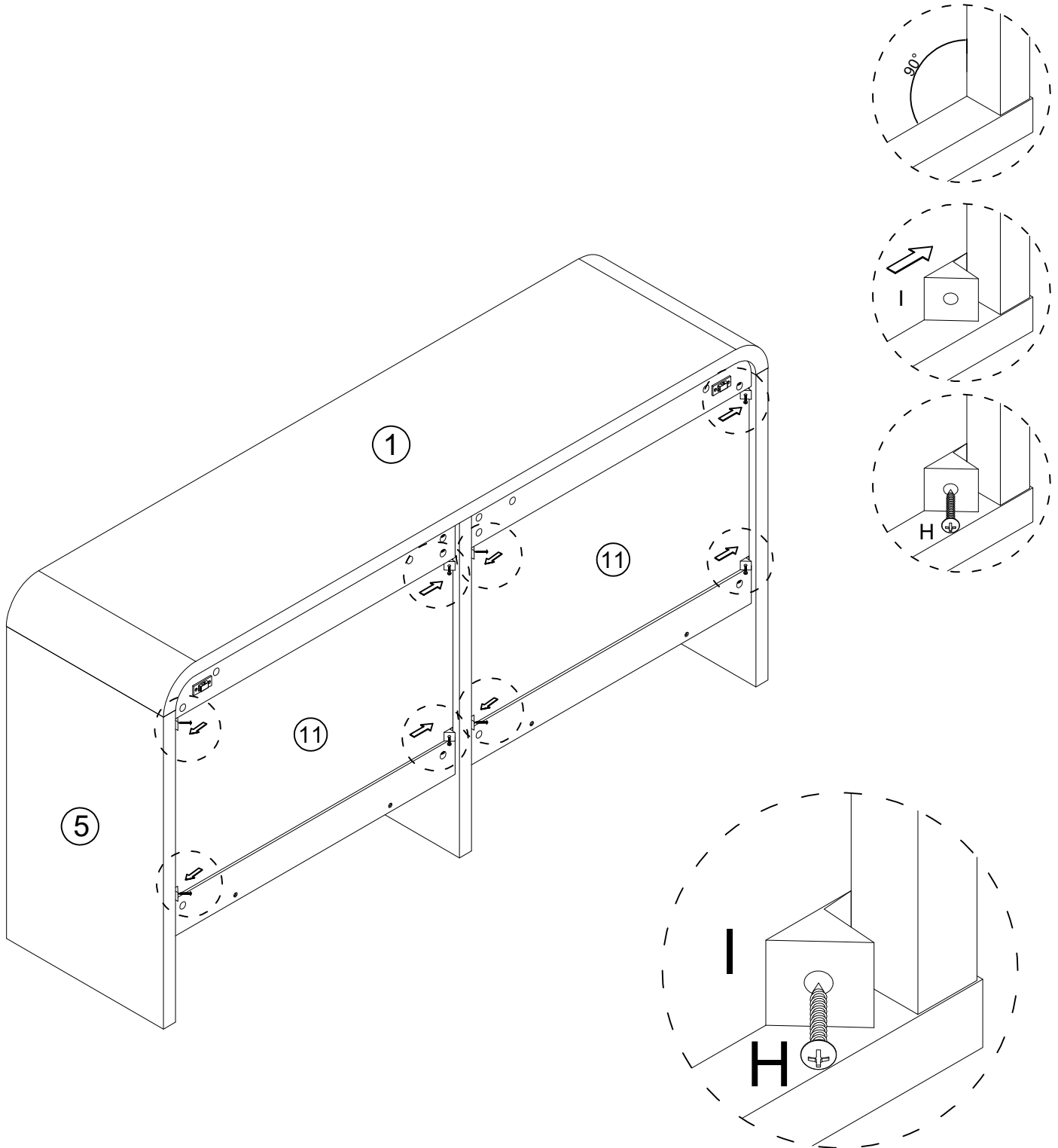


Step 9

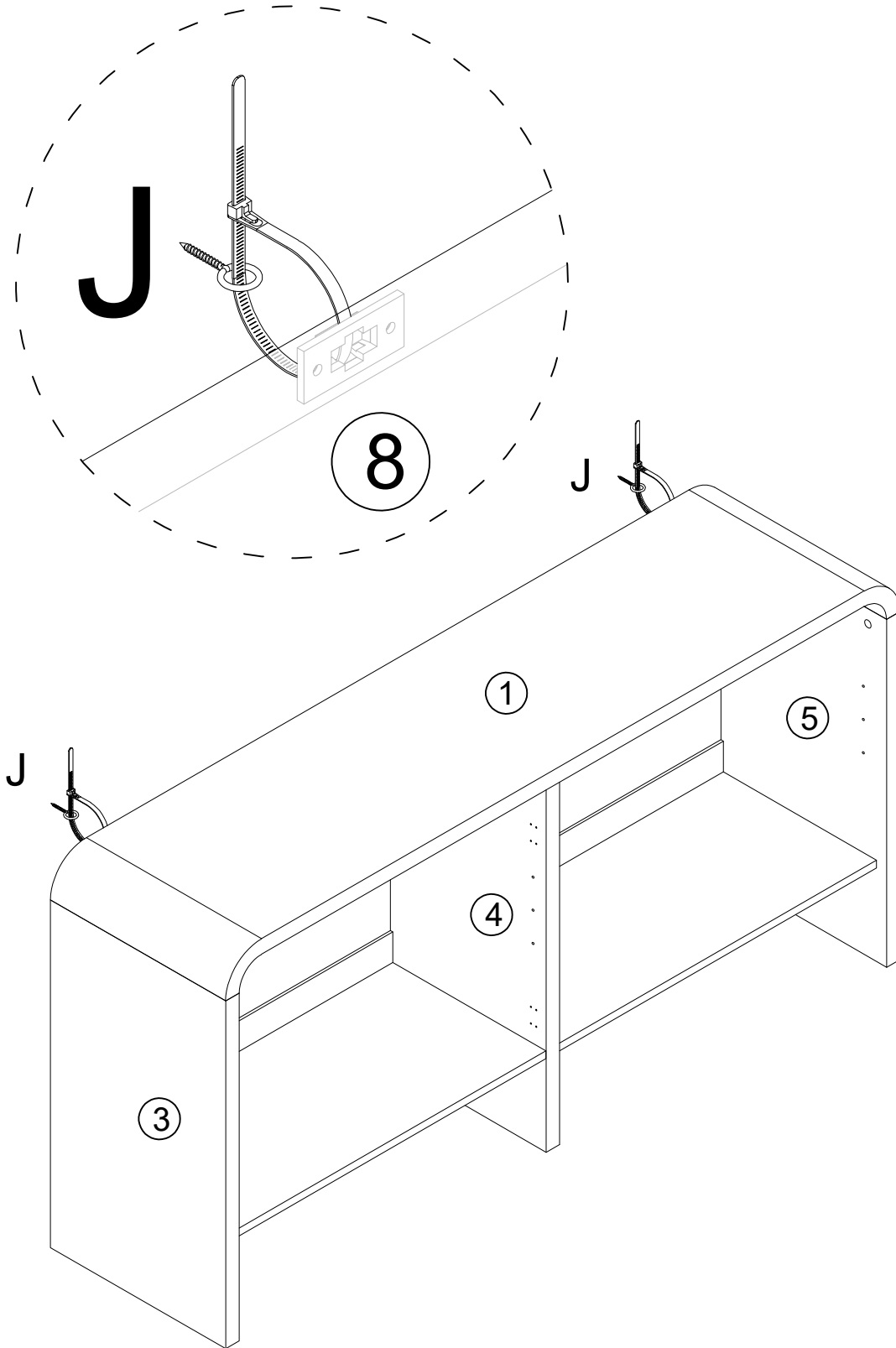
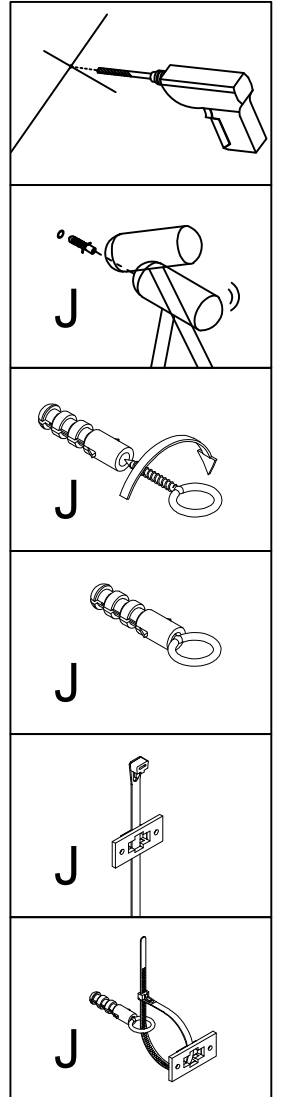
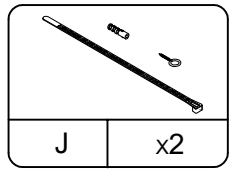


Step 10


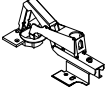
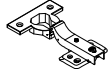
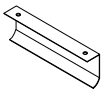

| | | | |
|--|----|--|----|
|  | |  | |
| H | x8 | I | x8 |

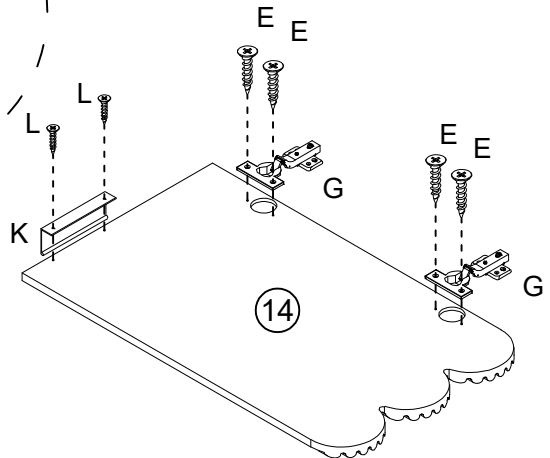
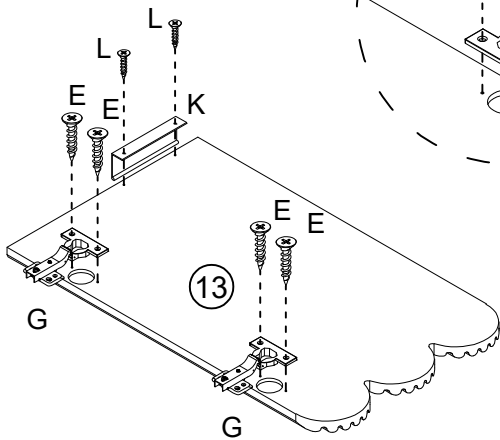
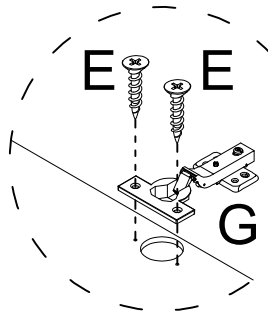
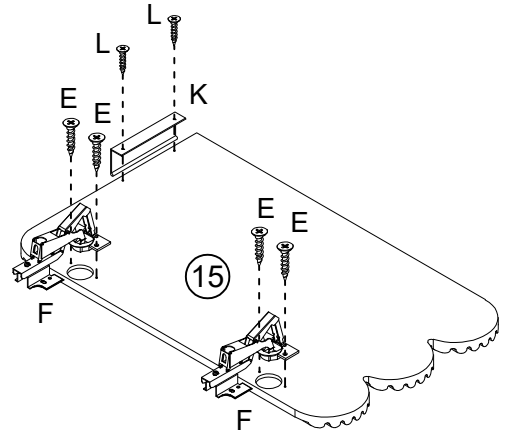
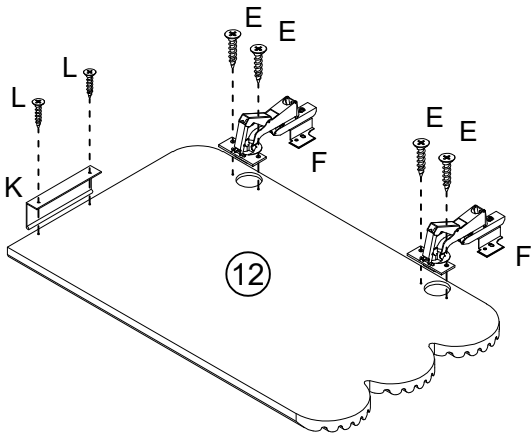
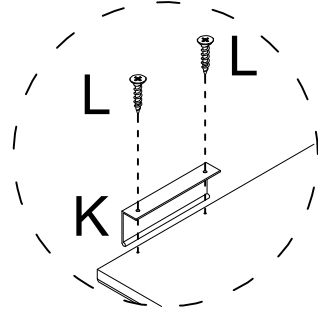
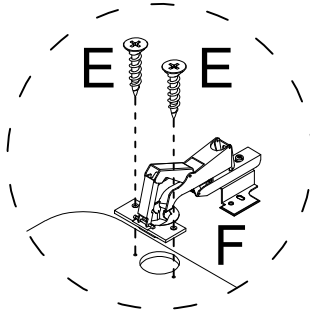


Step 11




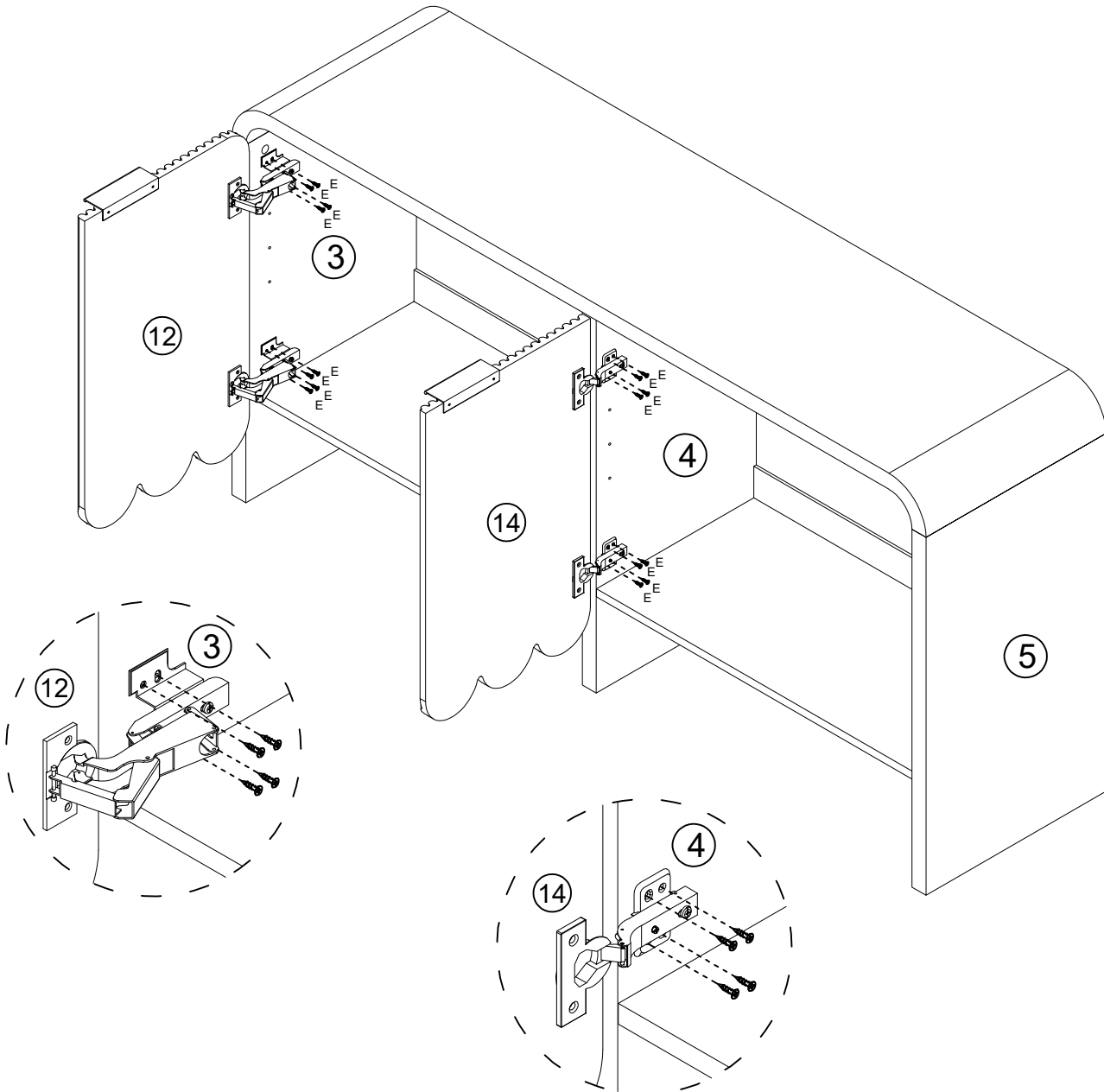
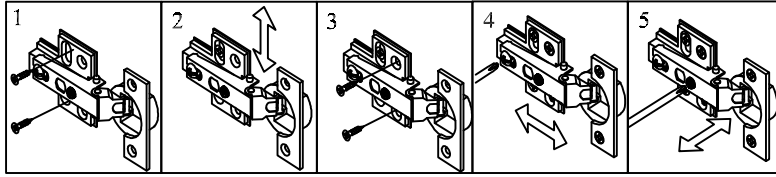
Step 12

| | | | | | |
|---|---|--|----|---|----|
|  |  |  | | | |
| E | x16 | F | x4 | G | x4 |
|  |  | | | | |
| K | x4 | L | x8 | | |




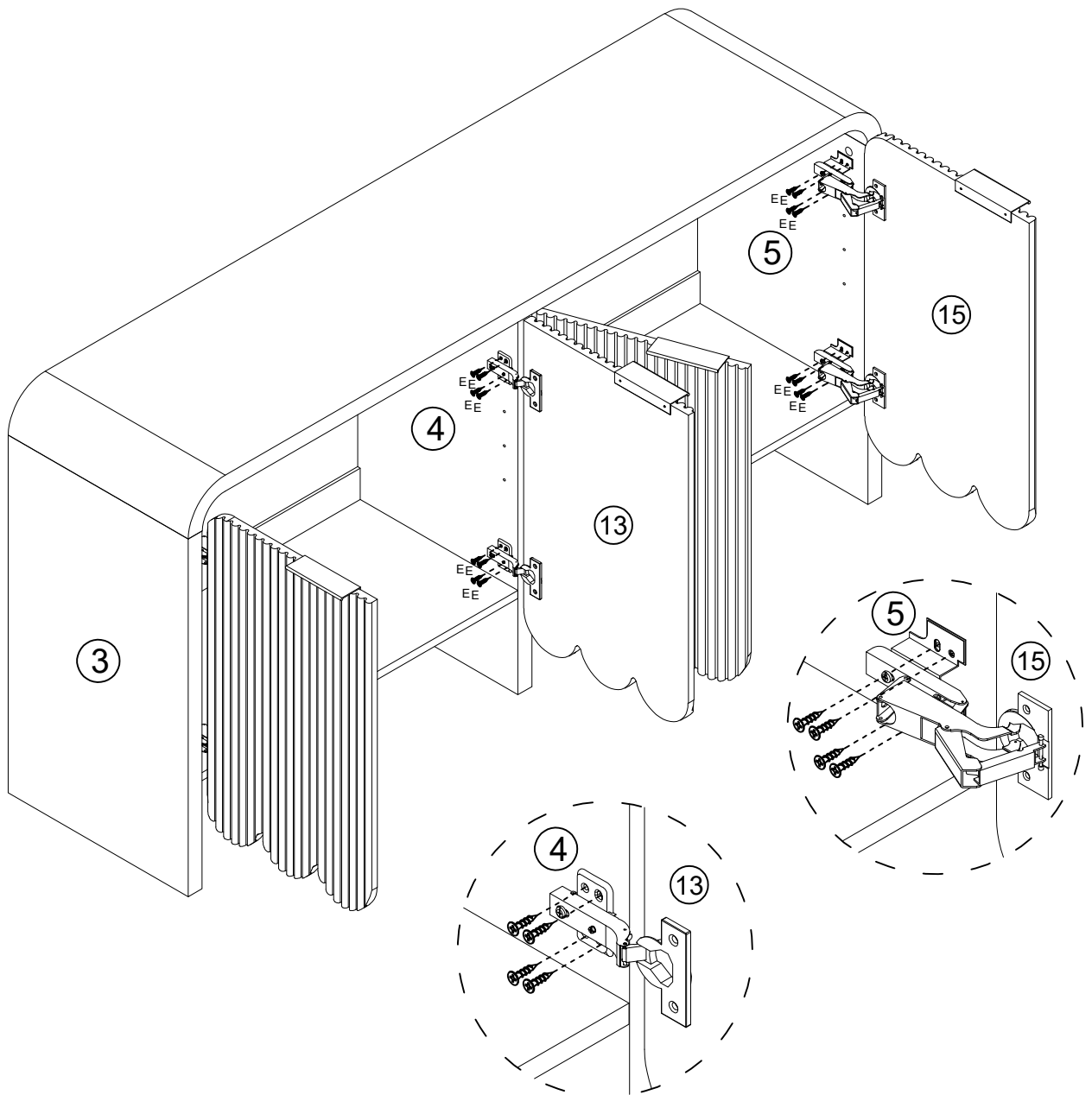
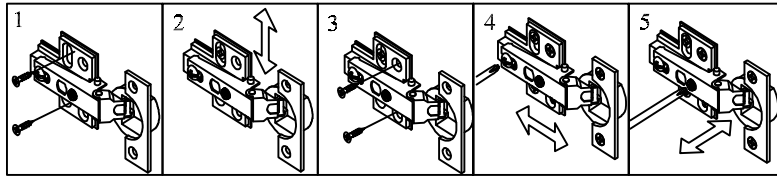
Step 13

| | |
|---|-----|
|  | |
| E | x16 |




Step 14

| | |
|---|-----|
|  | |
| E | x16 |



Step 15

| | |
|--|----|
|  | |
| M | x8 |

