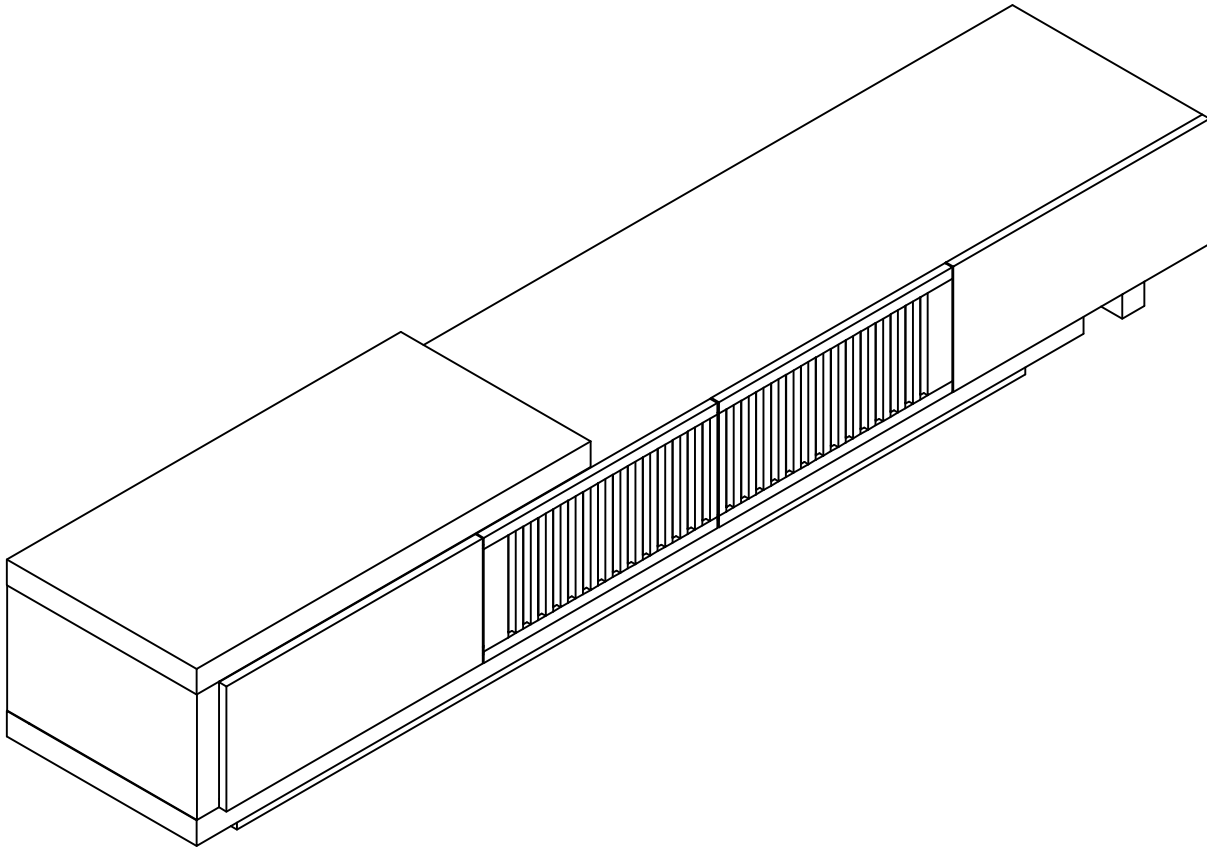
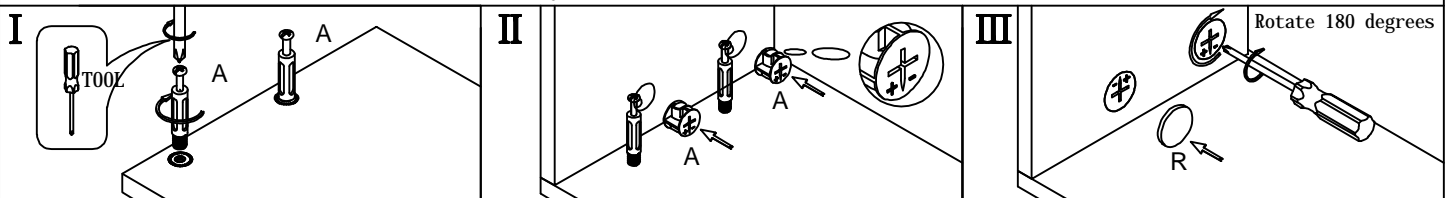


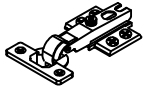
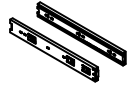










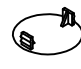




Stretch TV Cabinet

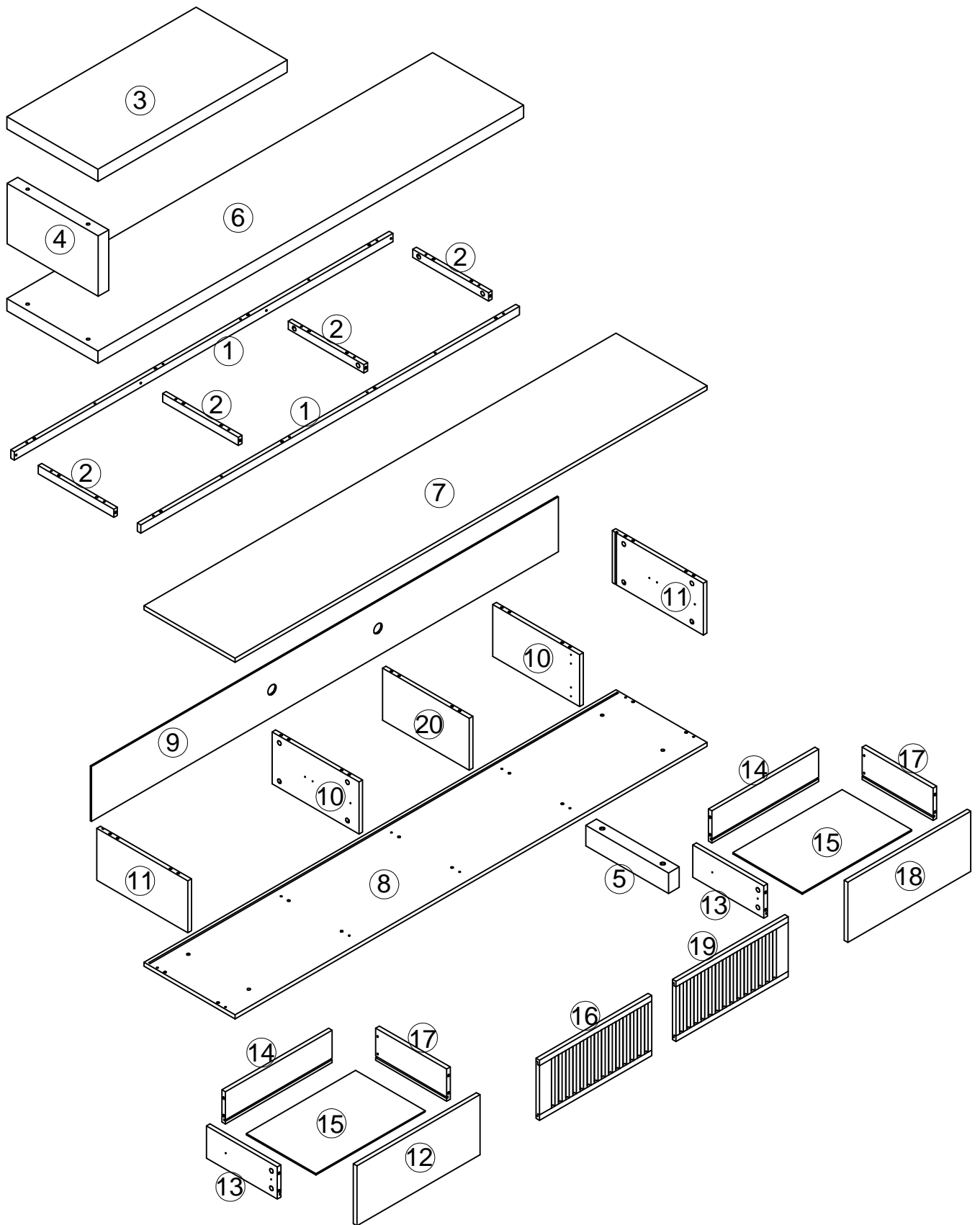


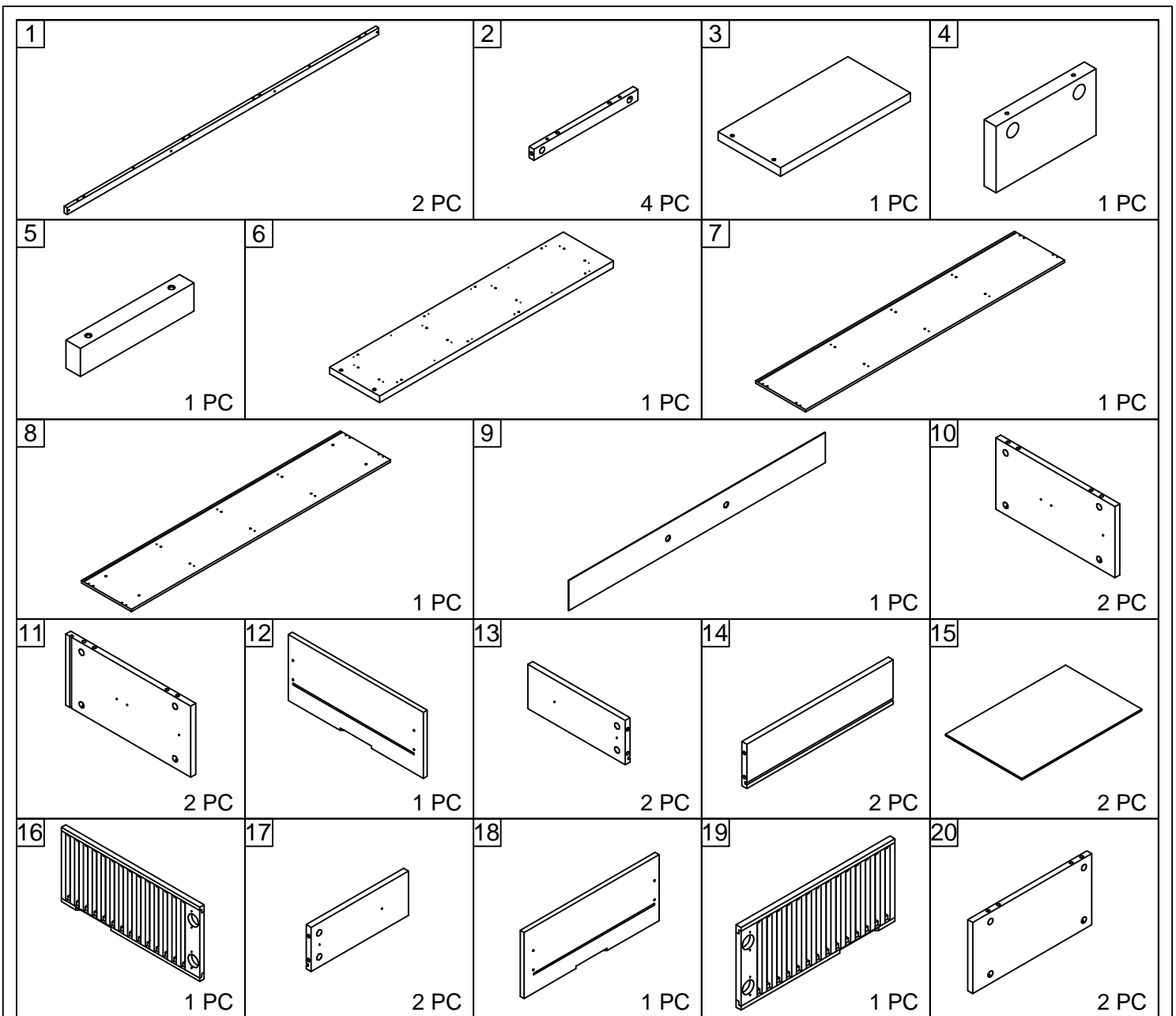
Disassembly and installation of accessories



A 48 SET	B 37 PCS	C 4 PCS	D 2 SET	E 76 PCS	F 20 PCS
					
Screw	Wooden tenon	Hinge	Rails	Self tapping screws (Short)	Self tapping screws (Middle)
H 2 PCS	I 2 PCS	J 2 PCS	K 2 PCS	L 1 PCS	M 6 PCS
					
Cup head screws (Long)	Full tooth screw	Nut	Semilunar tooth	Handle	Pads
N 2 PCS	O 4 PCS	P 2 PCS	Q 12 PCS	R 48 PCS	
					
Cup head screws (Middle)	Back plate buckle	Brown plastic cap	White studs	Hole Stickers	

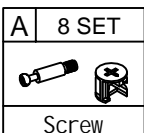
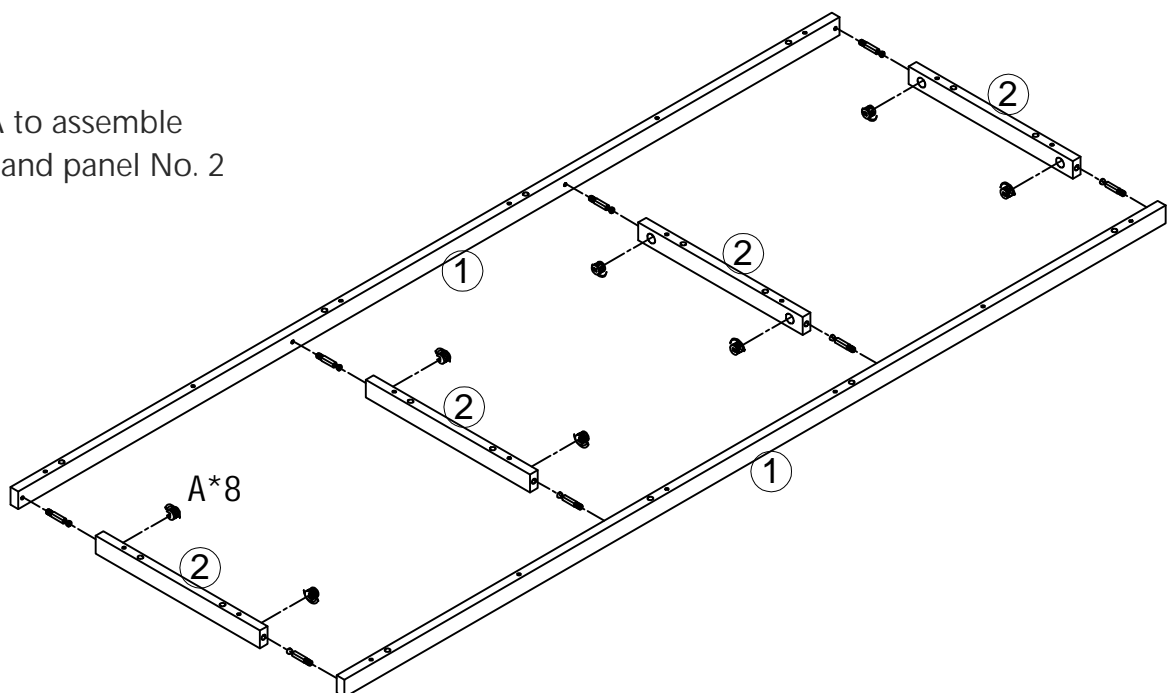
Parts list





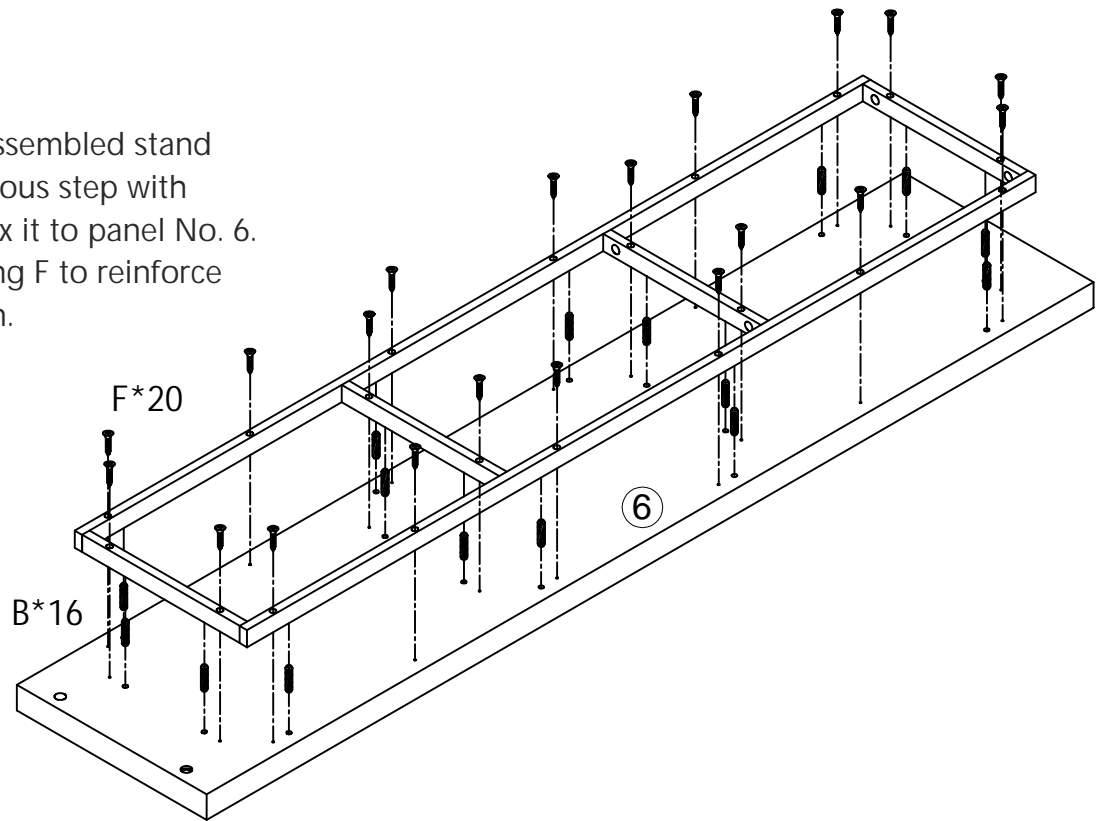
STEP 1



Use fitting A to assemble panel No. 1 and panel No. 2 as shown.



STEP 2

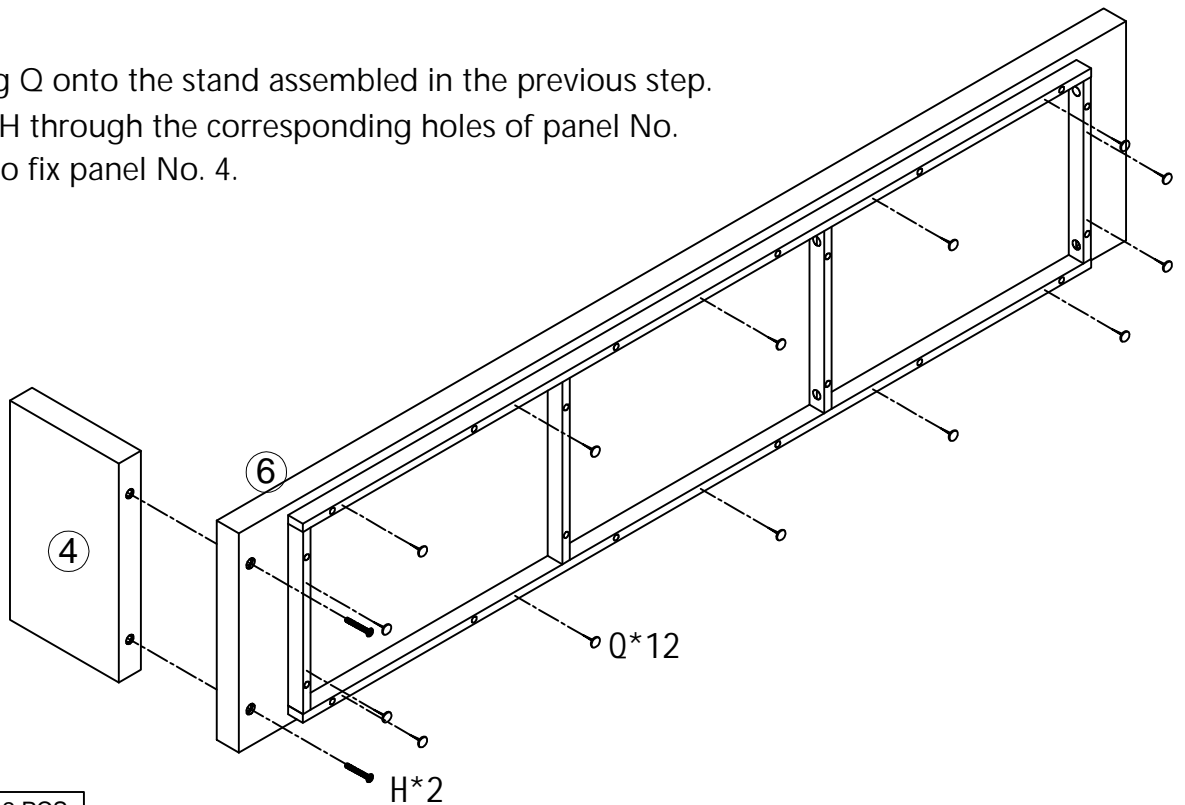
Position the assembled stand from the previous step with fitting B and fix it to panel No. 6. Then, use fitting F to reinforce the installation.





B	16 PCS	F	20 PCS
			
Wooden tenon		Self-tapping screws (Middle)	

STEP 3

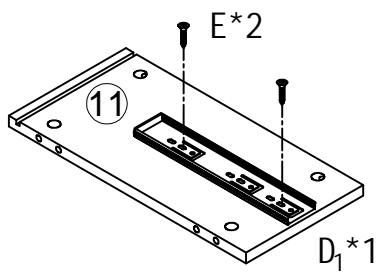
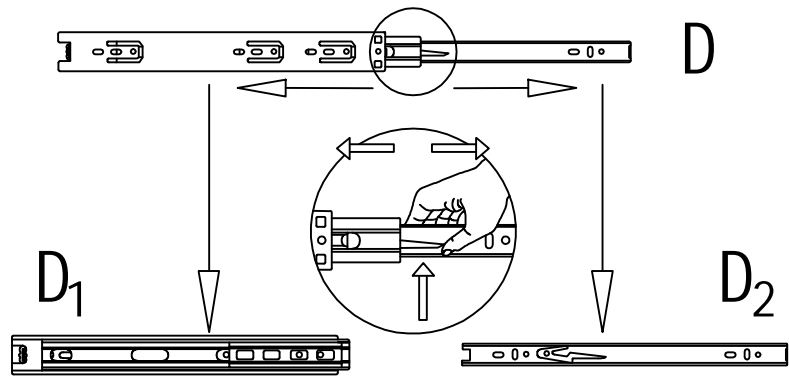
1. Install fitting Q onto the stand assembled in the previous step.
2. Pass fitting H through the corresponding holes of panel No. 6 and install to fix panel No. 4.



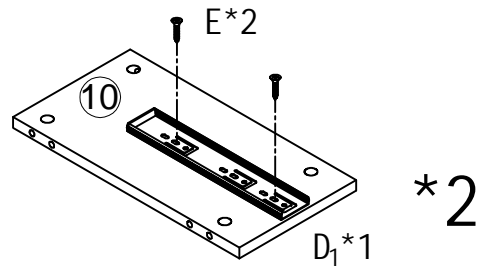
H	2 PCS	Q	12 PCS
			
Cup head screws (Long)		White studs	

STEP 4

1. Disassemble fitting D into
D1 and D2 as shown



*2



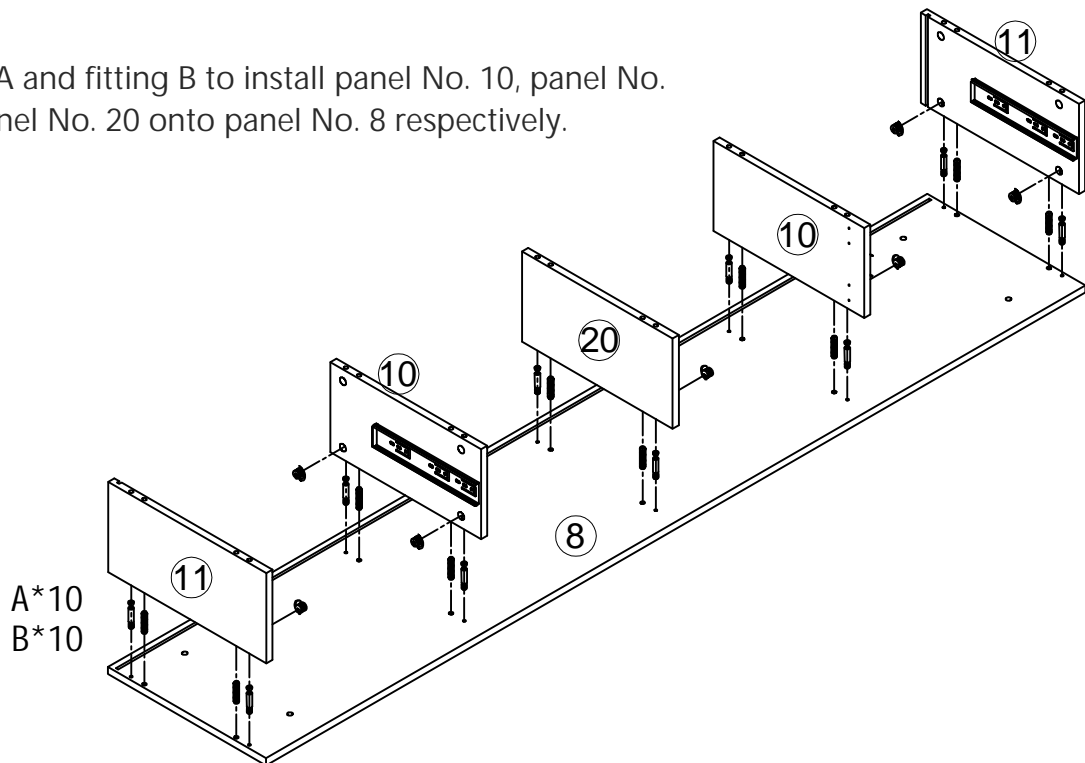
*2

2. Use fitting E to install fitting
D onto panel No. 10 and
panel No. 11 respectively.

D	2 SET	E	8 PCS
Rail		Self tapping screws (Short)	

STEP 5

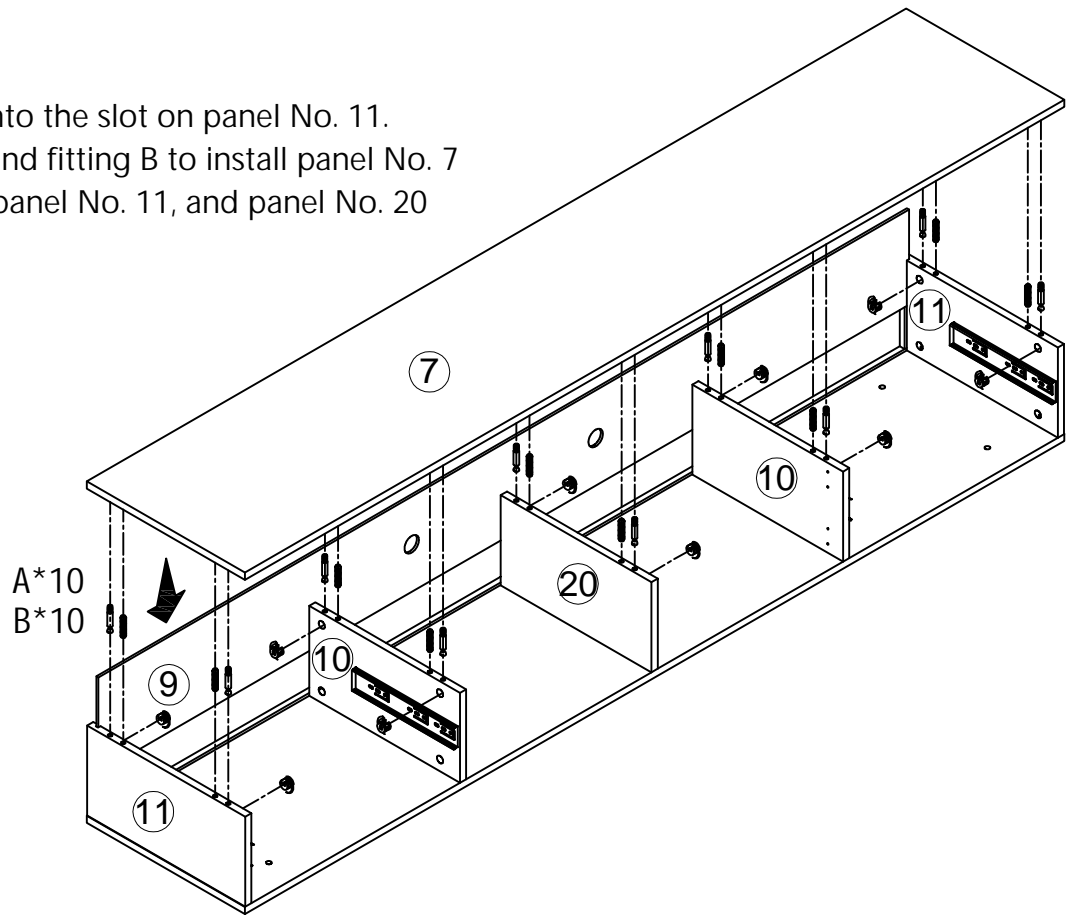
Use fitting A and fitting B to install panel No.
11, and panel No. 20 onto panel No. 8 respectively.





A	10 SET	B	10 PCS
Screw		Wooden tenon	

STEP 6

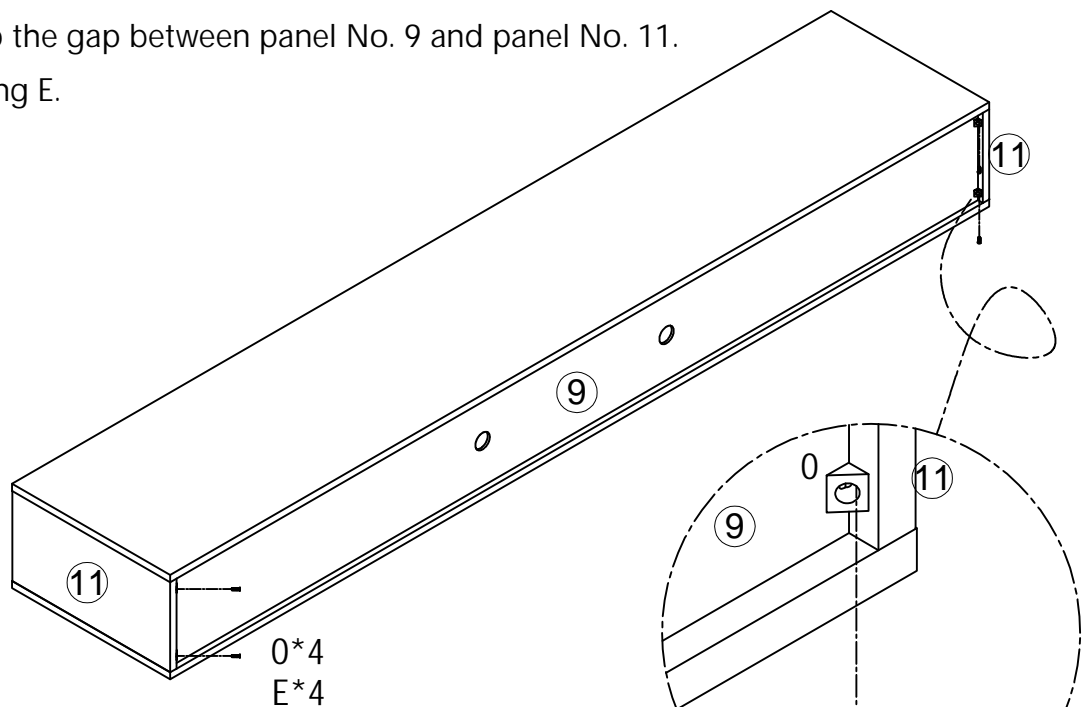
Insert panel No. 9 into the slot on panel No. 11.
Then, use fitting A and fitting B to install panel No. 7
onto panel No. 10, panel No. 11, and panel No. 20
respectively.





A 10 SET	B 10 PCS
	
Screw	Wooden tenon

STEP 7

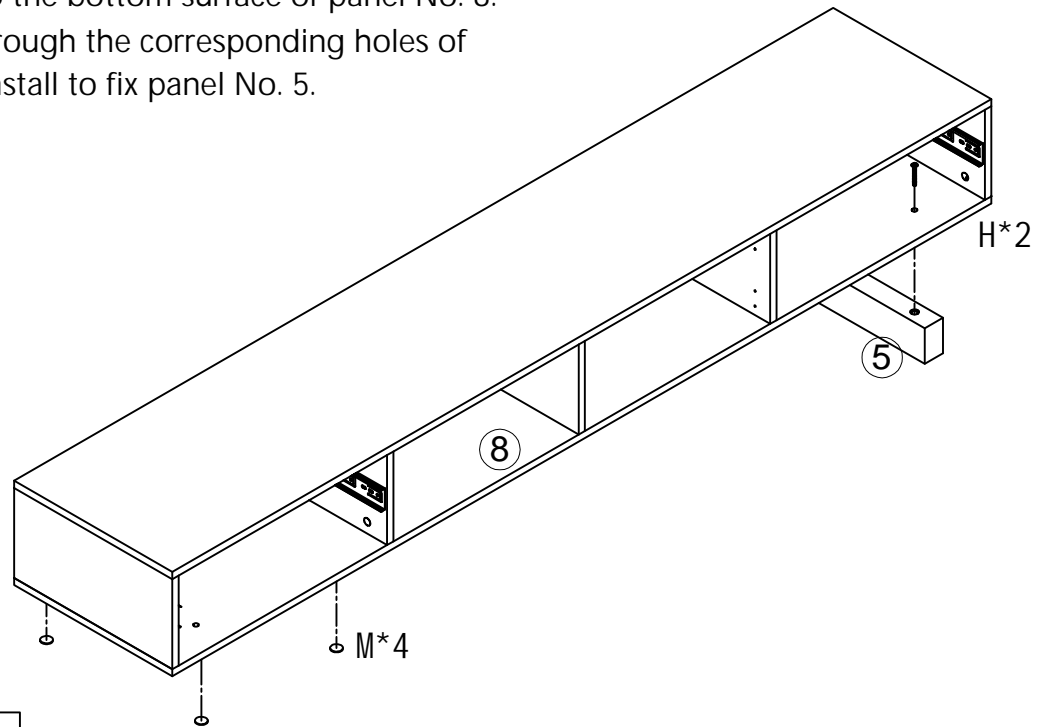
1. Insert fitting O into the gap between panel No. 9 and panel No. 11.
2. Reinforce with fitting E.





E 4 PCS	O 4 PCS
	
Self tapping screws (Short)	Back plate buckle

STEP 8

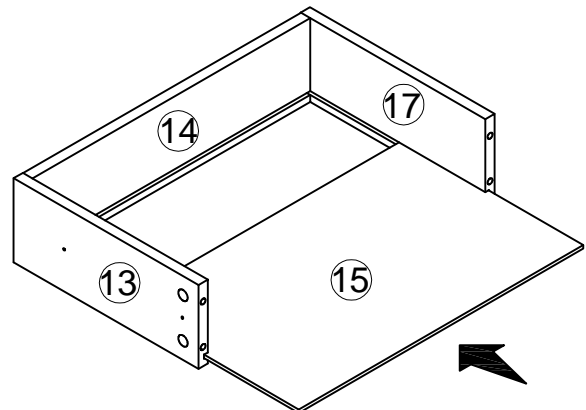
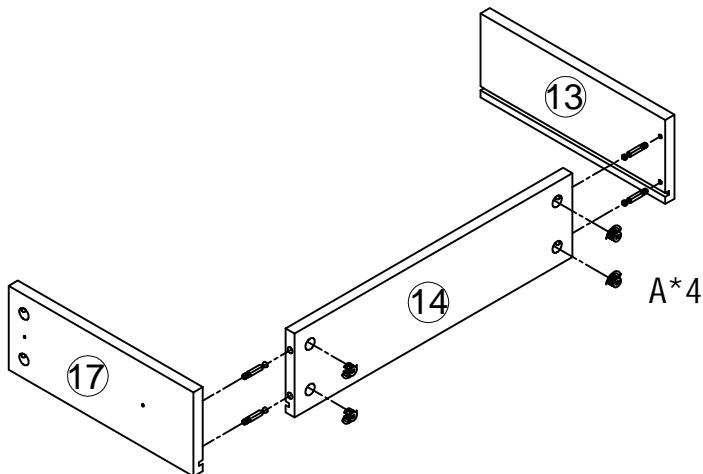
1. Stick fitting M to the bottom surface of panel No. 8.
2. Pass fitting H through the corresponding holes of panel No. 8 and install to fix panel No. 5.




H	2 PCS	M	4 PCS
			
Cup head screws Long		Pads	

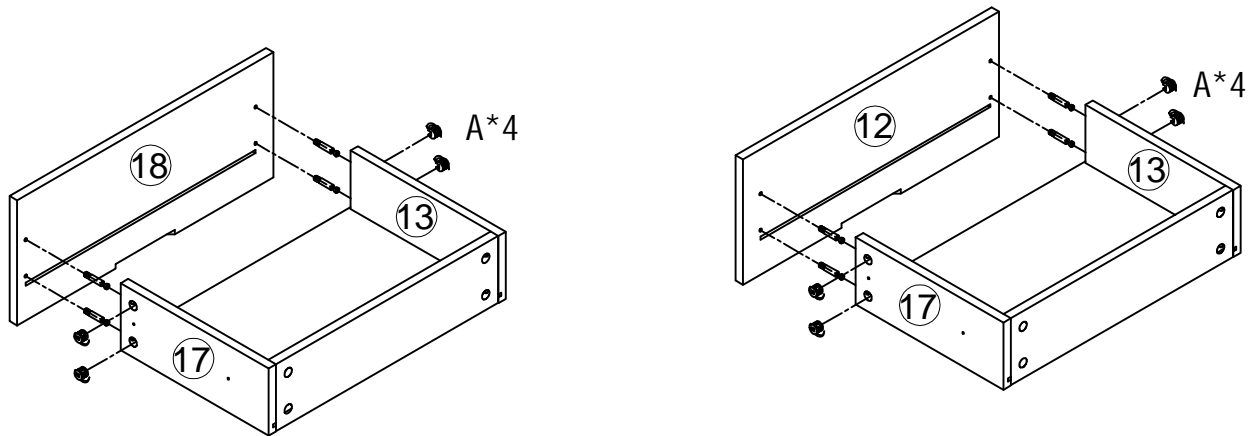
STEP 9

1. Use fitting A to fix panel No. 13 and panel No. 17 to panel No. 14.
2. Insert panel No. 15 into the slots of panel No. 13 and panel No. 17.




A	8 SET
	
Screw	

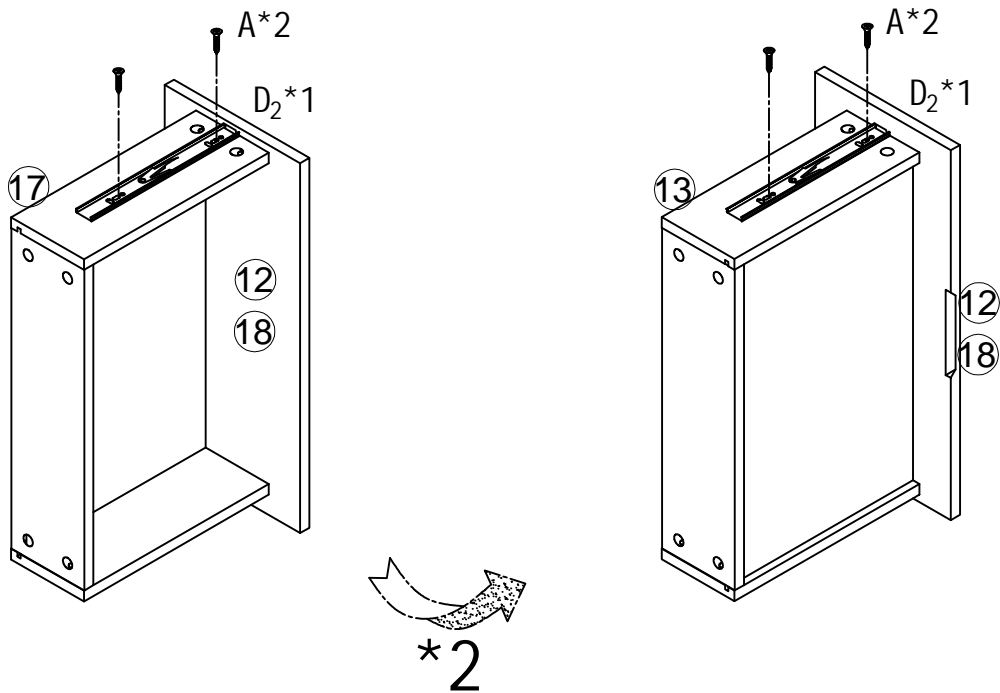
STEP 10





Use fitting A to fix panel No. 13 and panel No. 17 (assembled in the previous step) to panel No. 12 and panel No. 18 respectively.

A	8 SET
	
Screw	

STEP 11

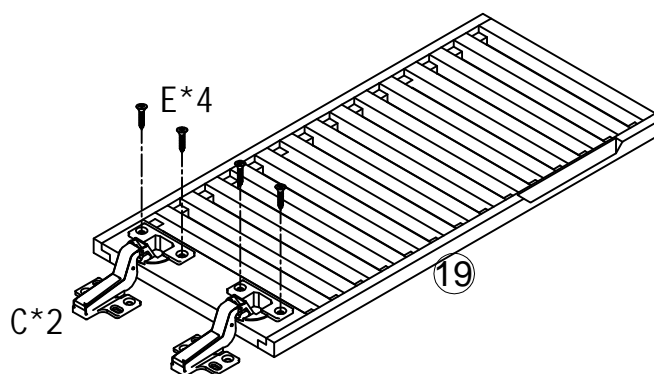
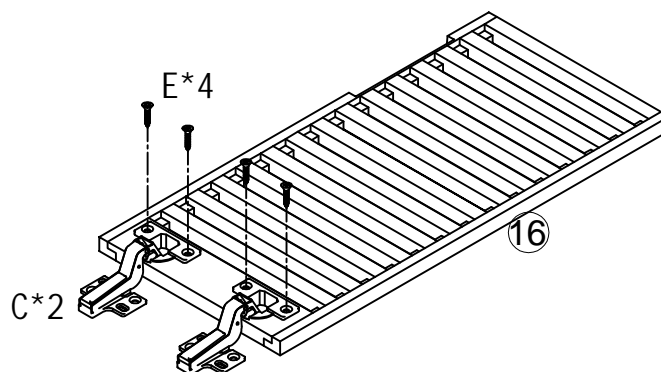




D	2 SET	E	8 PCS
			
Rail		Self tapping screws (Short)	

Use fitting E to install and fix fitting D onto panel No. 13 and panel No. 17 (assembled in the previous step) respectively.

STEP 12

Use fitting E to install and fix fitting C onto panel No. 16 and panel No. 19 respectively.

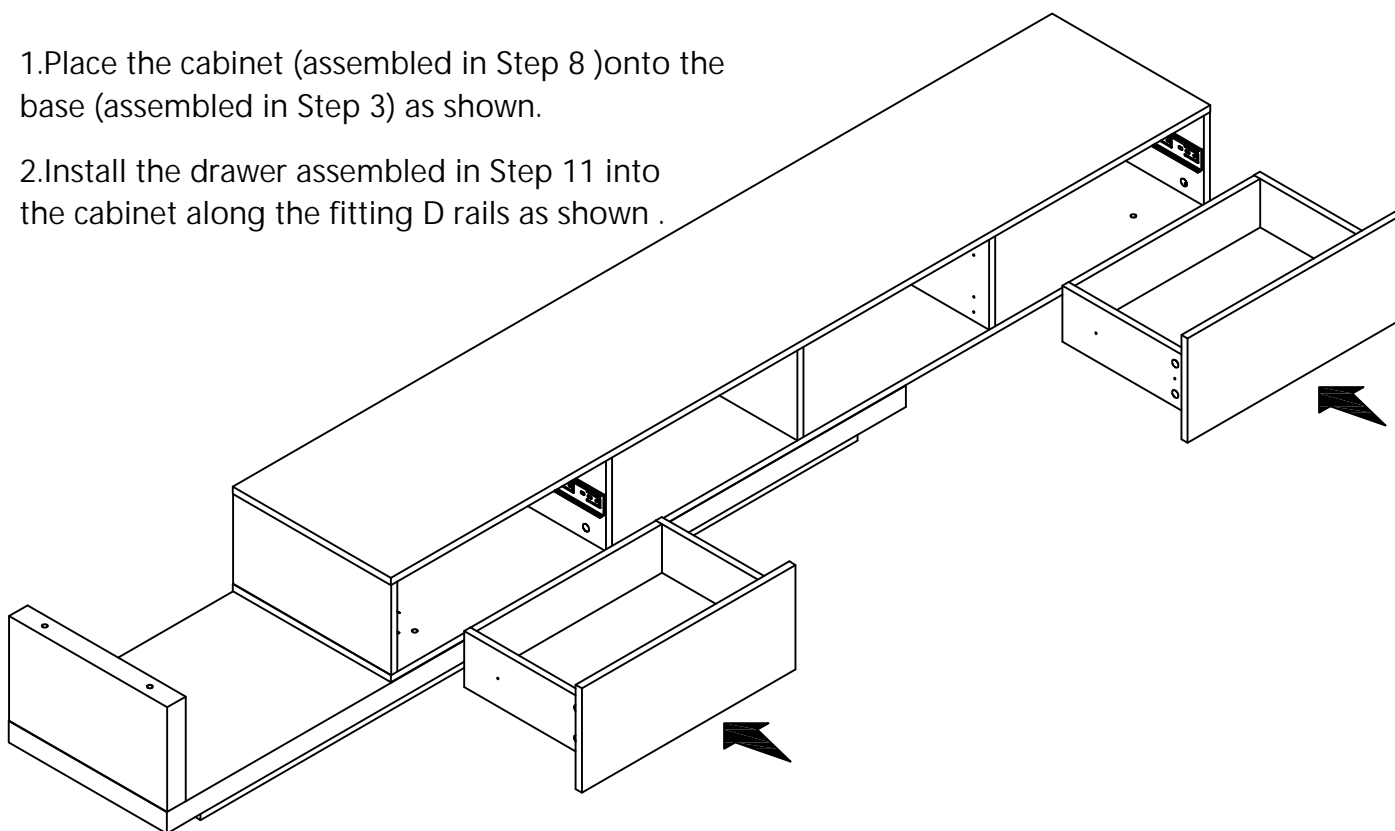


C	4 PCS	E	8 PCS
			
Hinge		Self tapping screws (Short)	

STEP 13

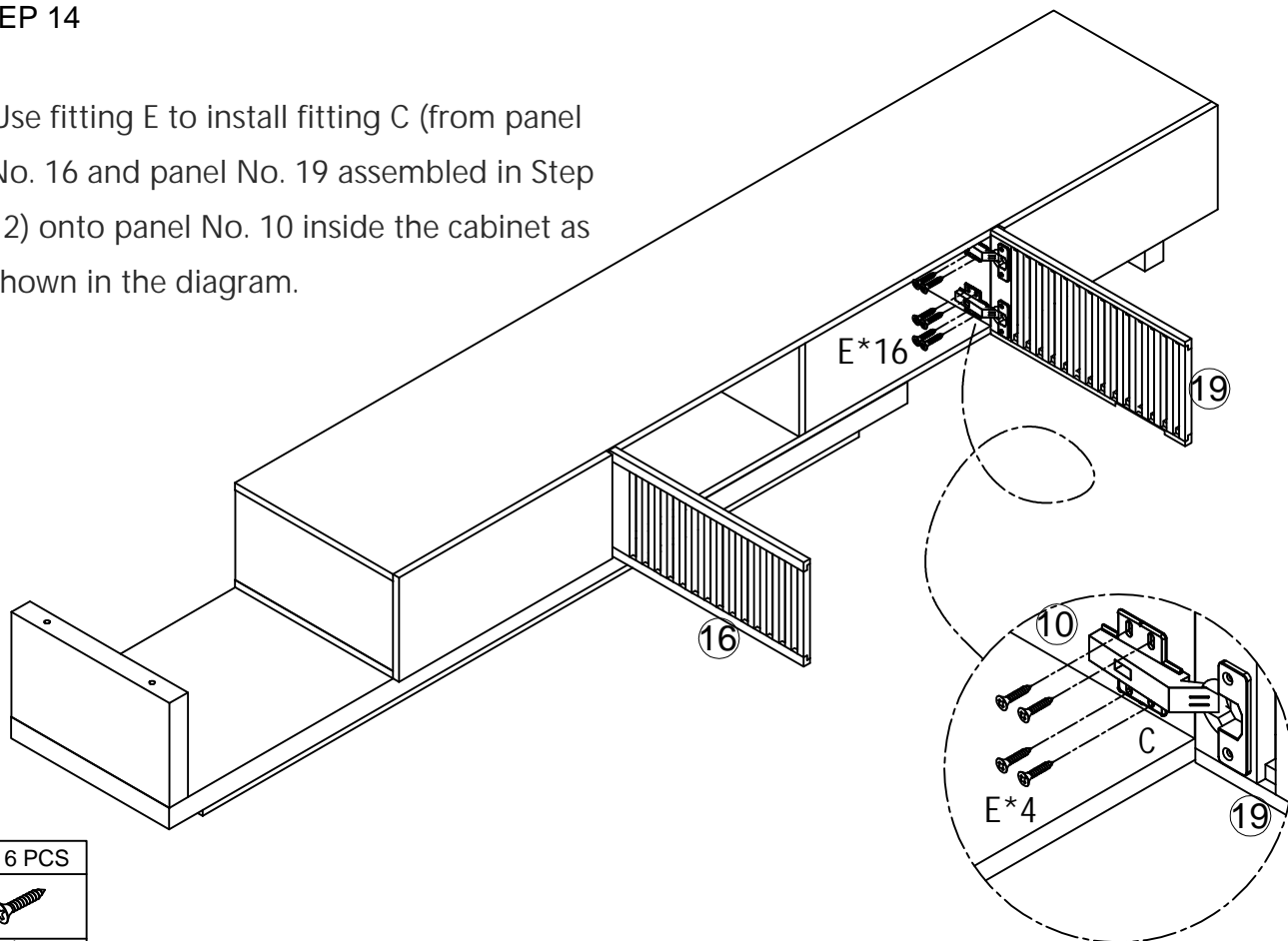
1. Place the cabinet (assembled in Step 8) onto the base (assembled in Step 3) as shown.

2. Install the drawer assembled in Step 11 into the cabinet along the fitting D rails as shown.



STEP 14

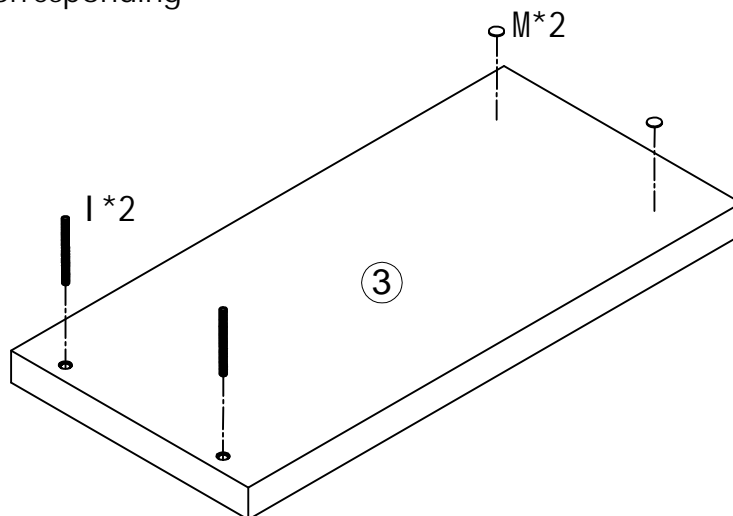
Use fitting E to install fitting C (from panel No. 16 and panel No. 19 assembled in Step 12) onto panel No. 10 inside the cabinet as shown in the diagram.





E	16 PCS
	
Self tapping screws Short	

STEP 15

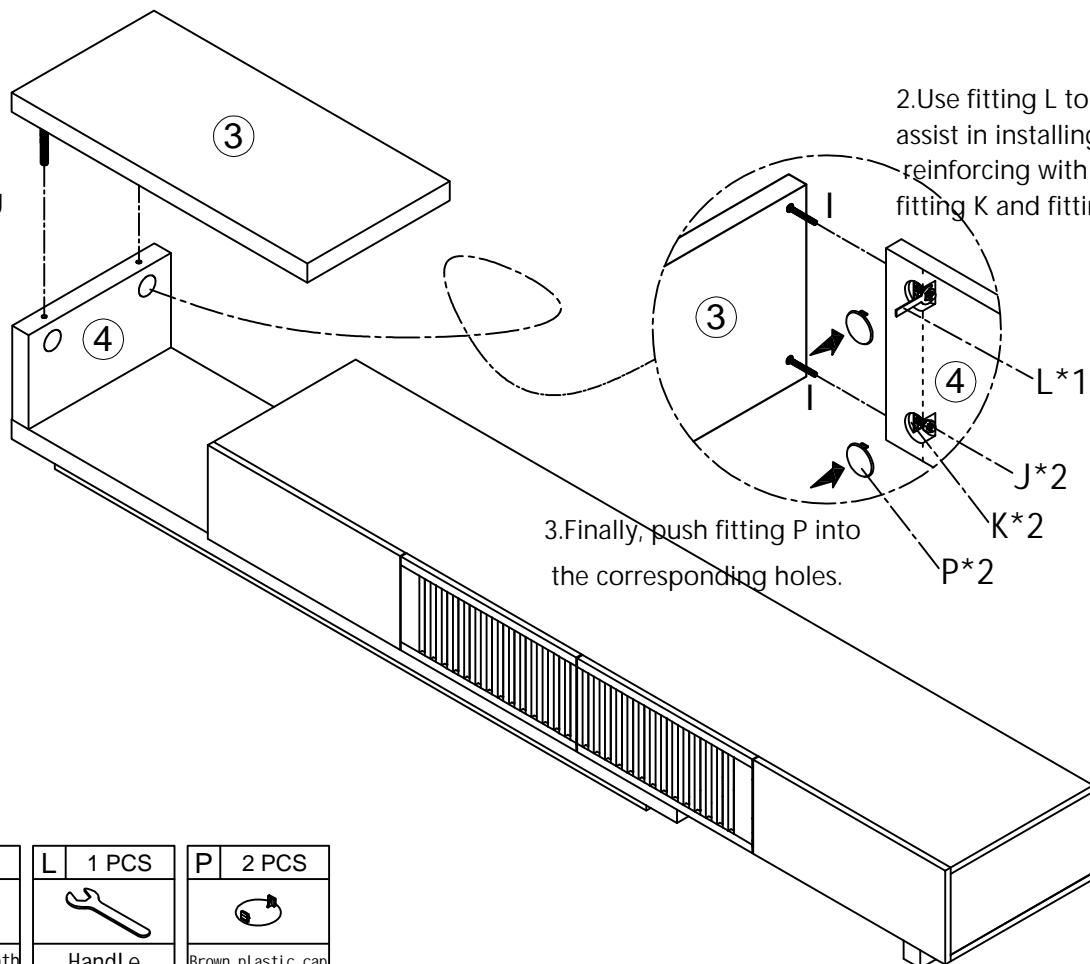
1. Stick fitting M to the bottom surface of panel No. 3.
2. Install fitting I into the corresponding holes of panel No. 3.



I	2 PCS	M	2 PCS
			
Full tooth screw		Pads	





STEP 16

1. Insert fitting I (from panel No. 3 assembled in the previous step) into the corresponding holes of panel No. 4.

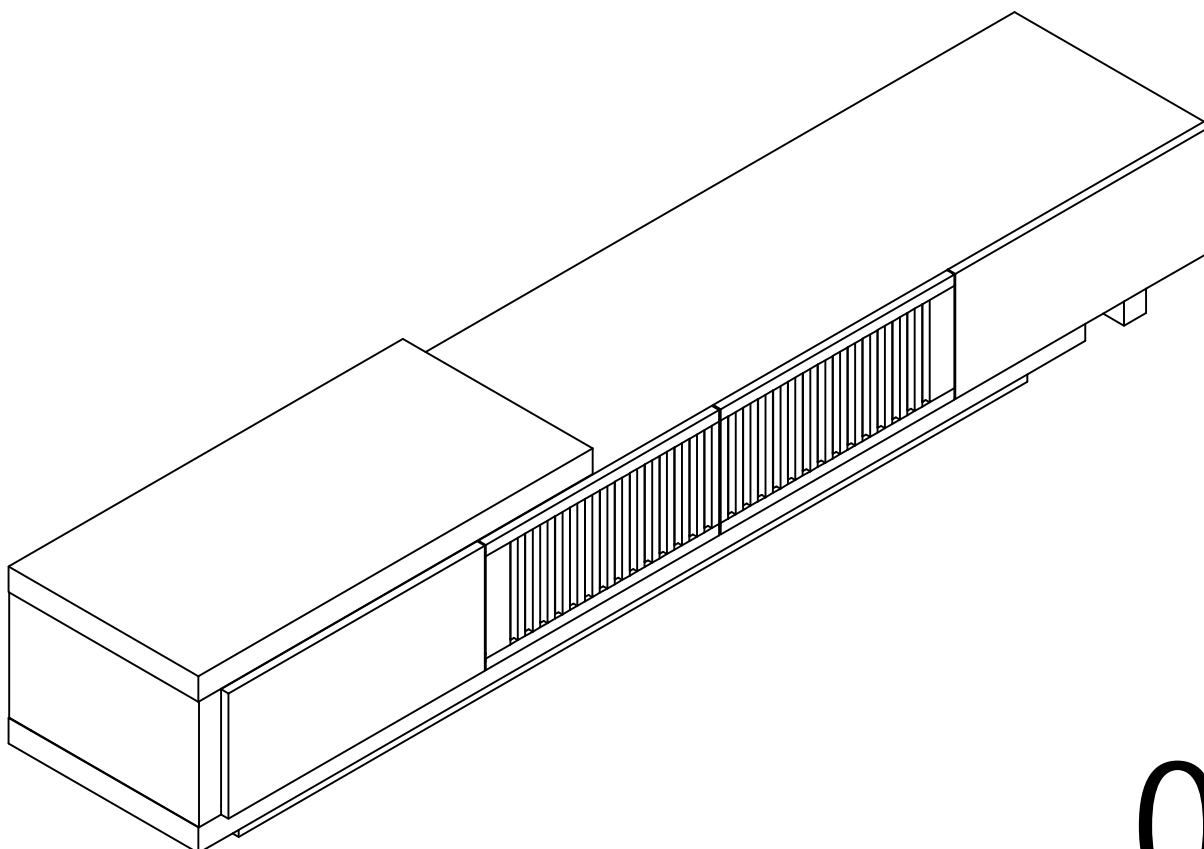


2. Use fitting L to assist in installing and reinforcing with fitting K and fitting J.

3. Finally, push fitting P into the corresponding holes.

J	2 PCS	K	2 PCS	L	1 PCS	P	2 PCS
							
Nut		Semi-lunar tooth		Handle		Brown plastic cap	

STEP 17



OK