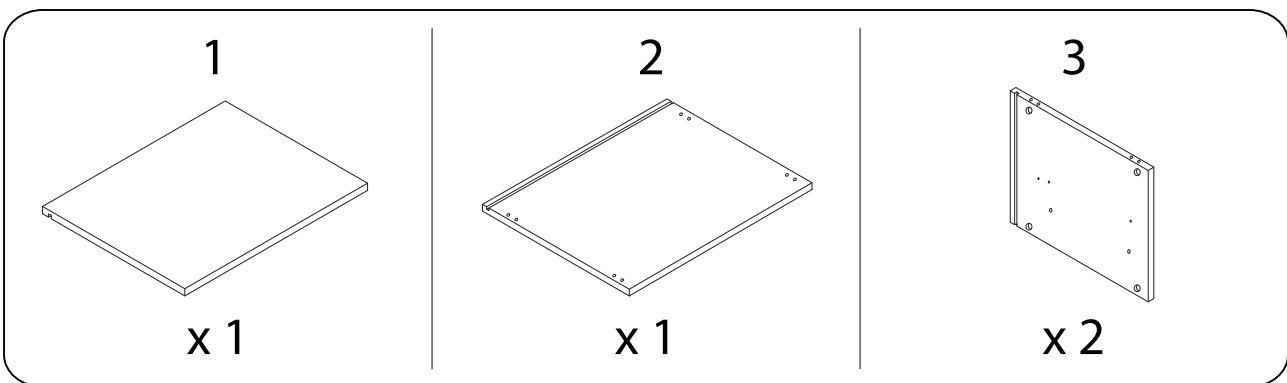
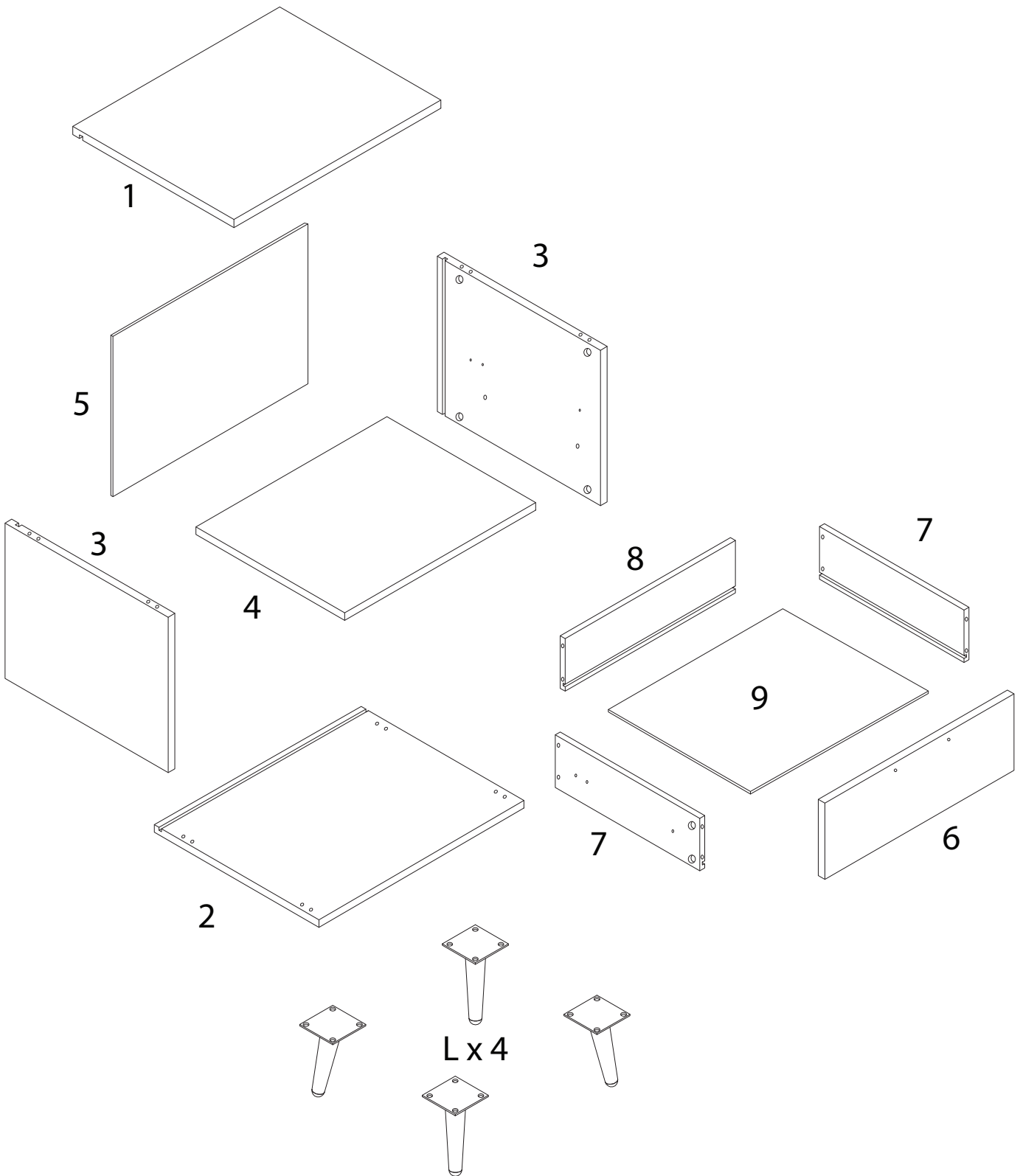


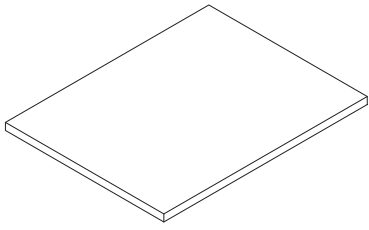


Assembly instructions for step 1/15:

- Tools:** A screwdriver is required. A power drill is not required (indicated by a diagonal line through the drill icon).
- Time:** Estimated assembly time is 45 minutes (indicated by a clock icon).
- Warnings:** Two warning triangles are present, one above each tool icon, indicating potential hazards.
- Personnel:** One person is required for assembly (indicated by a person icon and the number 1).

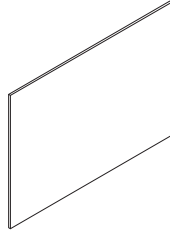


4



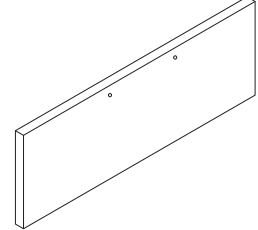
x 1

5



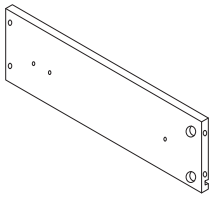
x 1

6



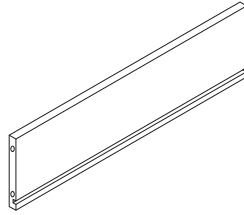
x 1

7



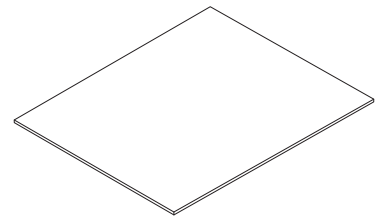
x 2

8



x 1

9



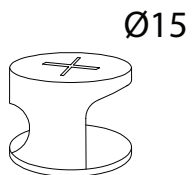
x 1

A



x 8

B



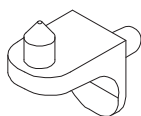
x 8

C



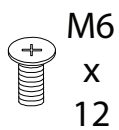
x 8

D



x 4

E



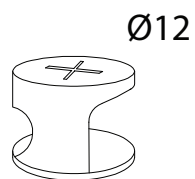
x 16

F1



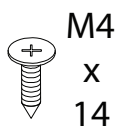
x 4

F2



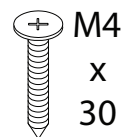
x 4

G



x 12

H



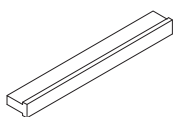
x 4

I



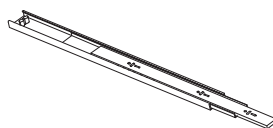
x 2

J



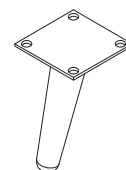
x 1

K



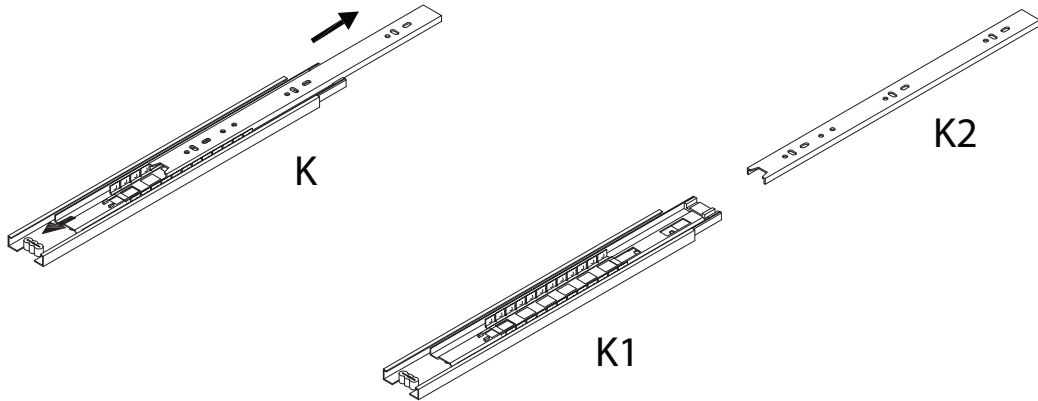
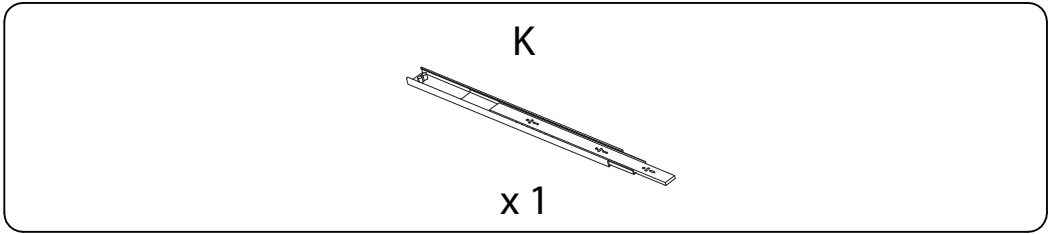
x 2

L

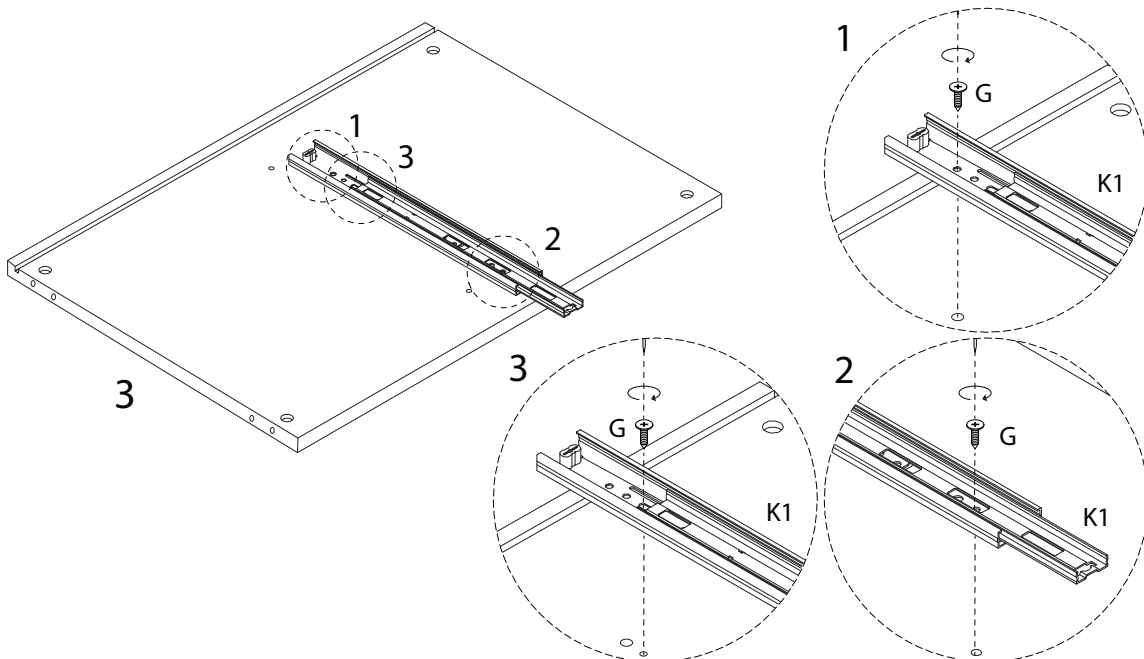
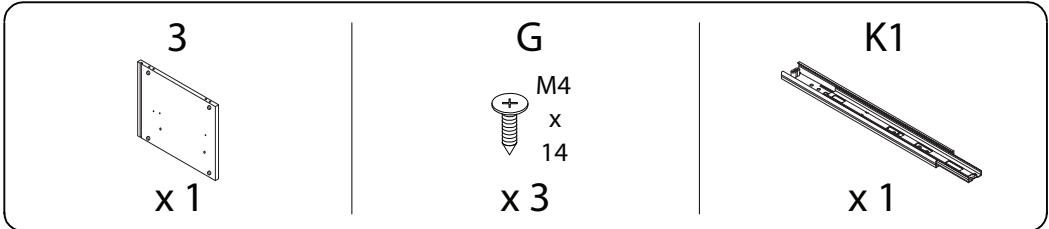


x 4

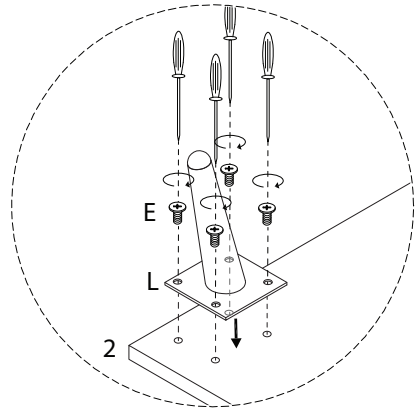
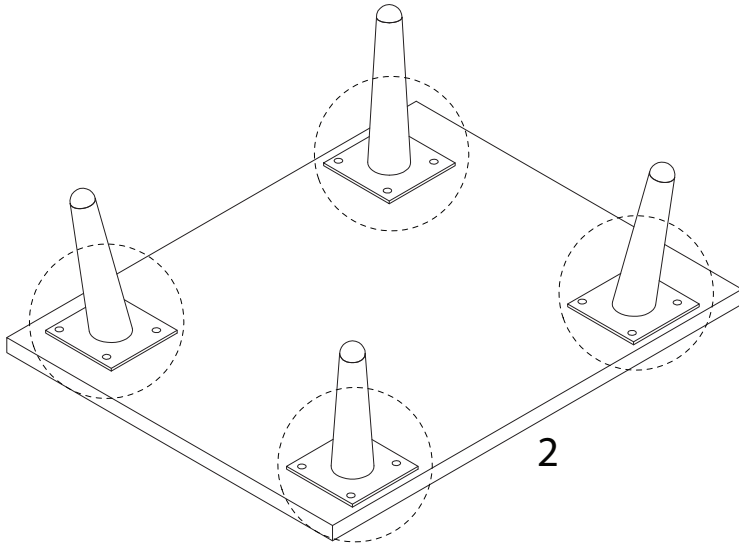
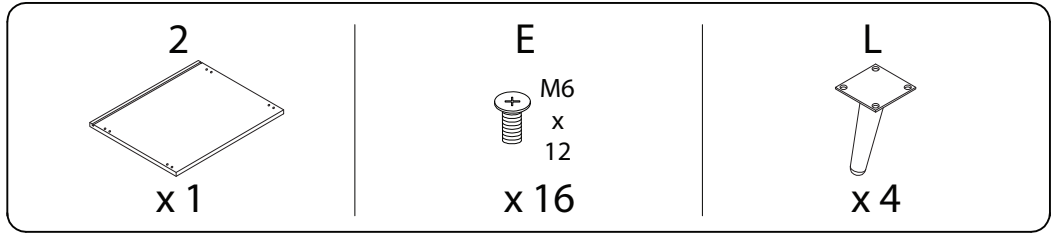
1 x 2



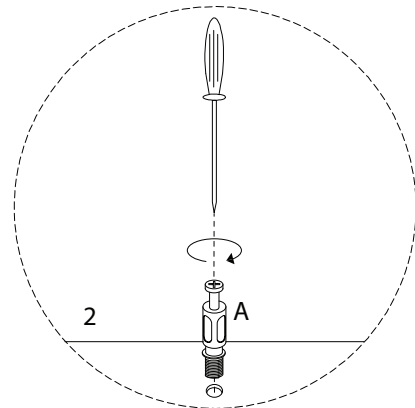
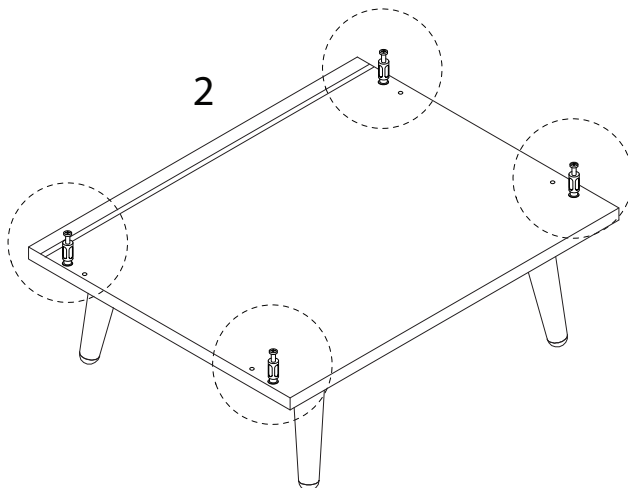
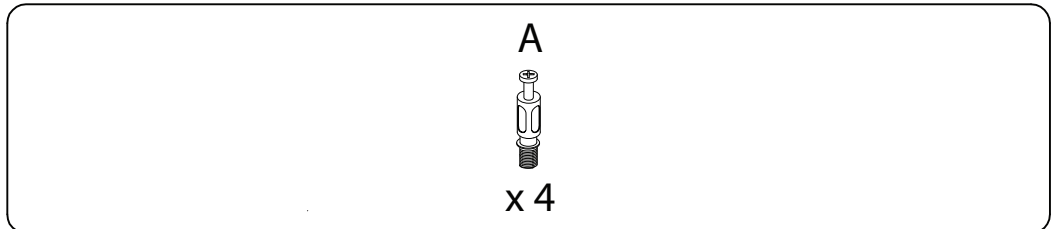
2 x 2



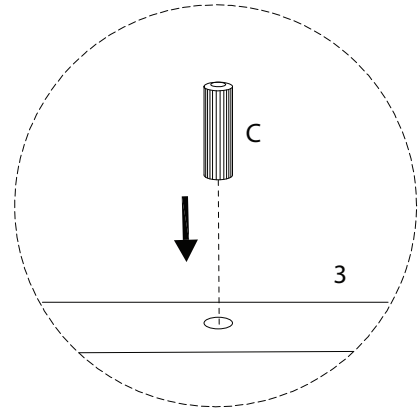
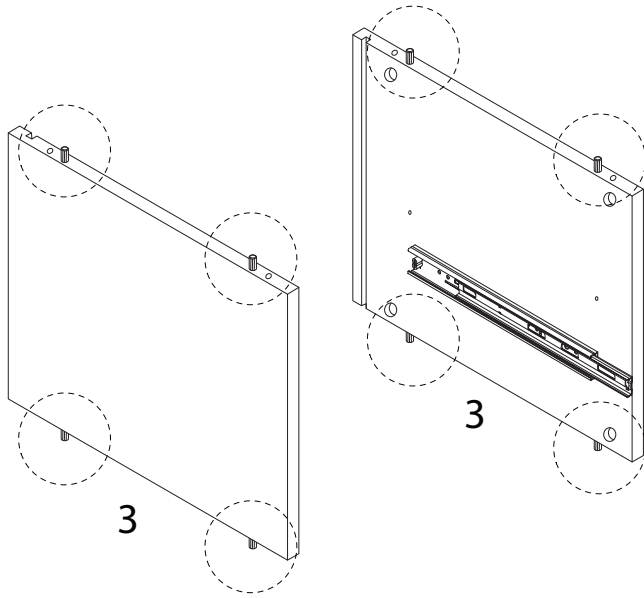
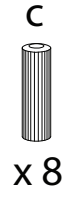
3



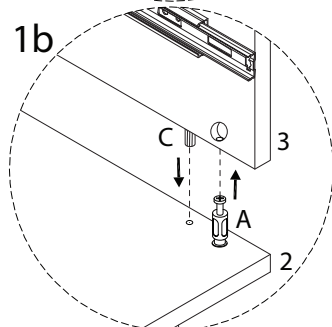
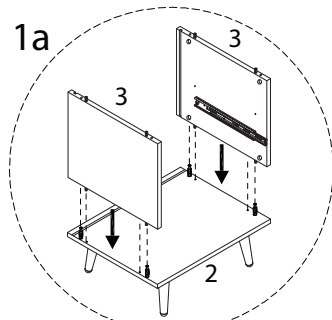
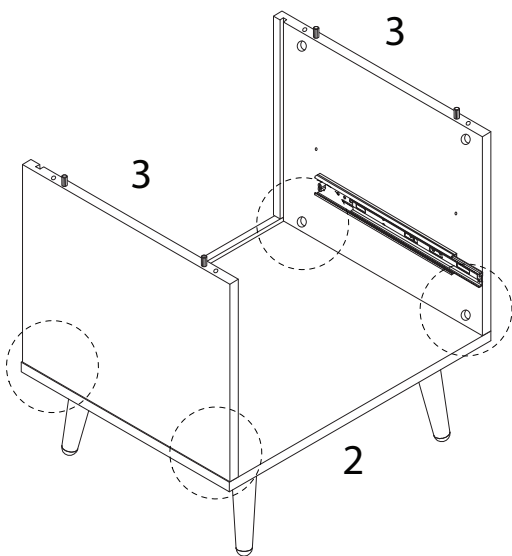
4



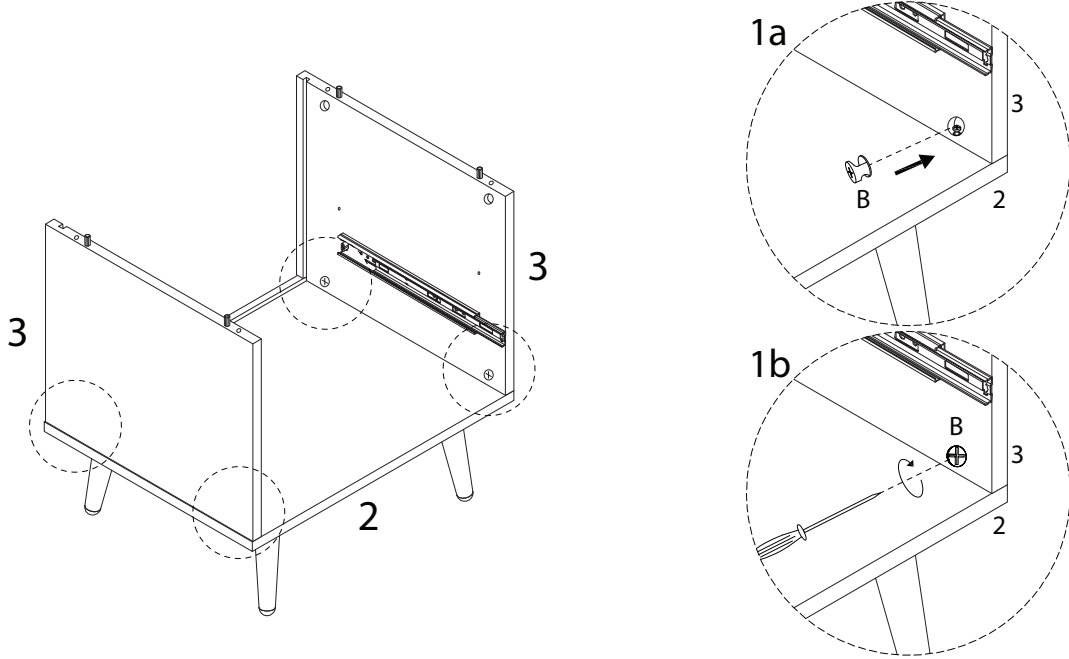
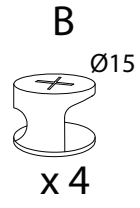
5



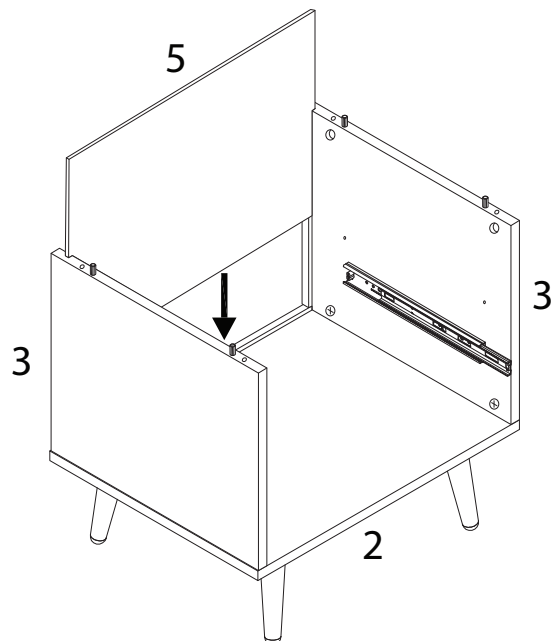
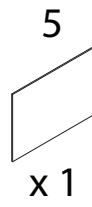
6



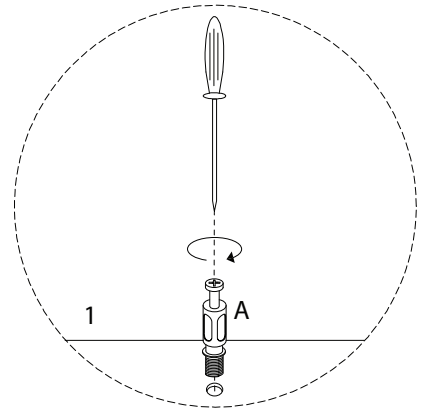
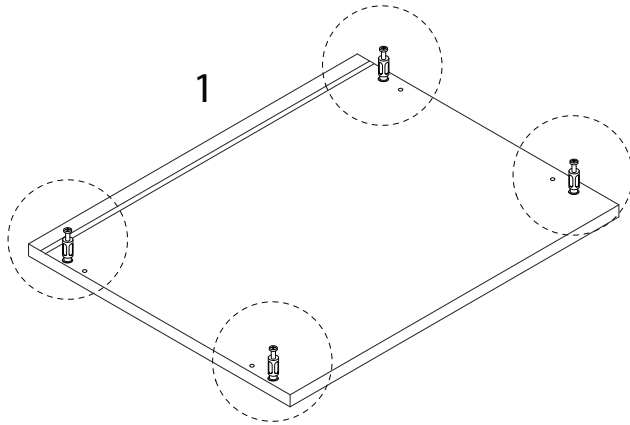
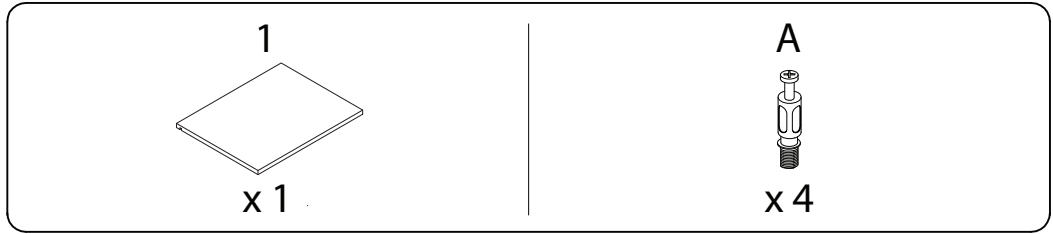
7



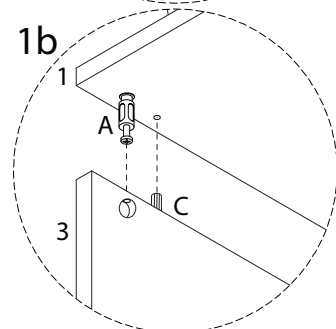
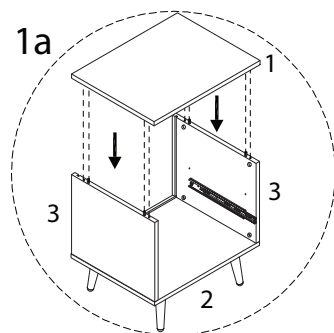
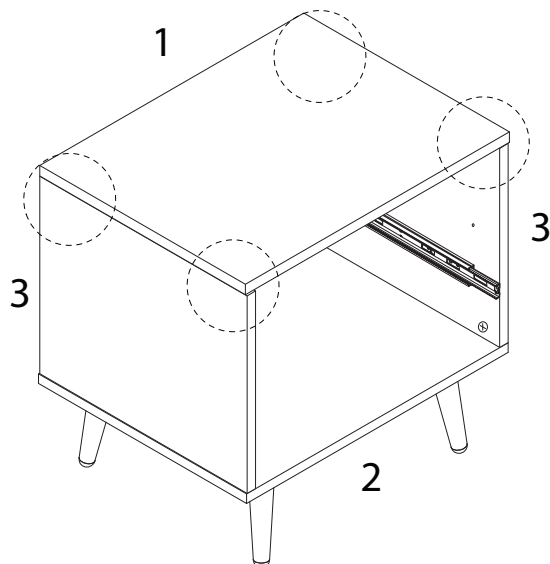
8



9



10



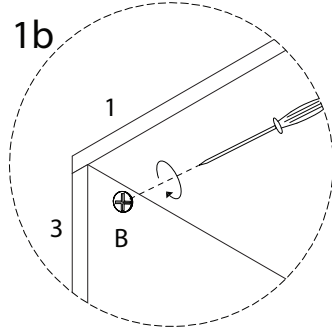
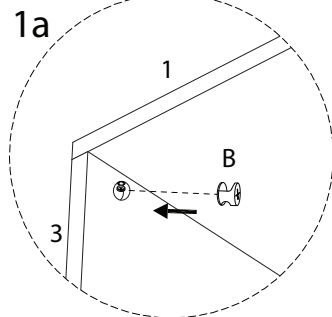
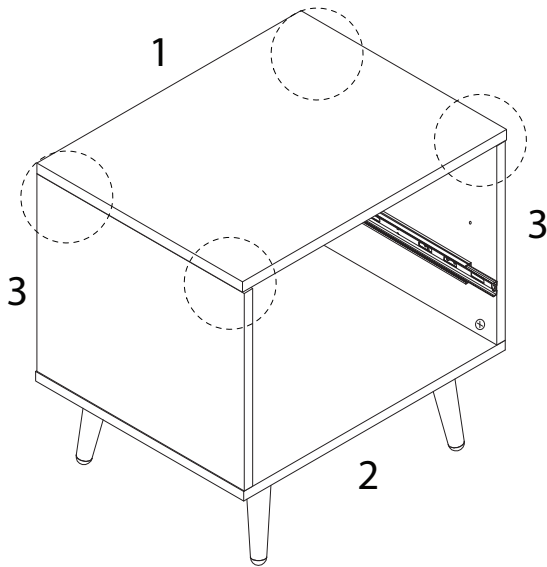
11

B

Ø15

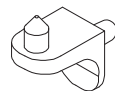


x 4

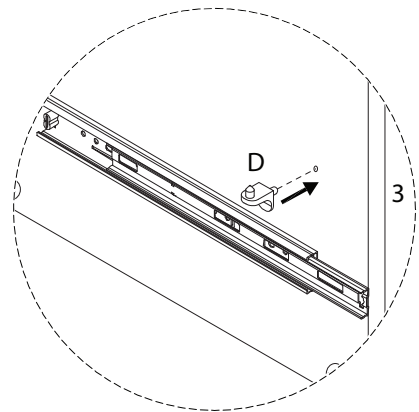
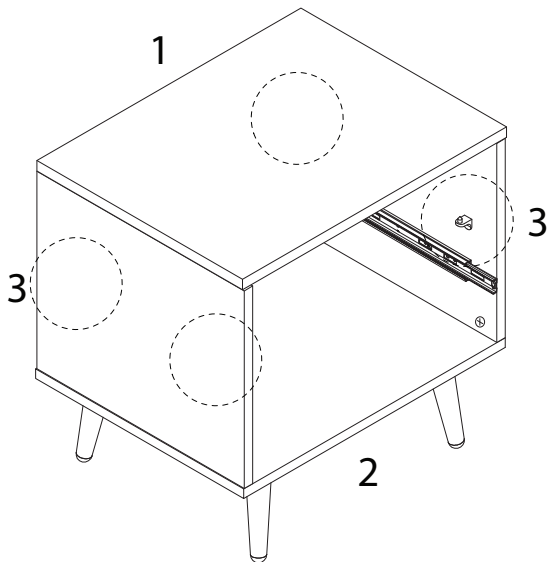


12

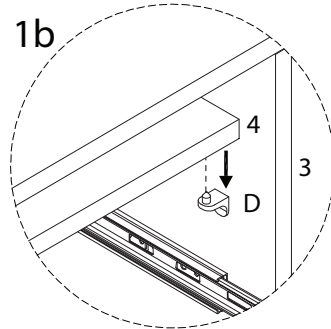
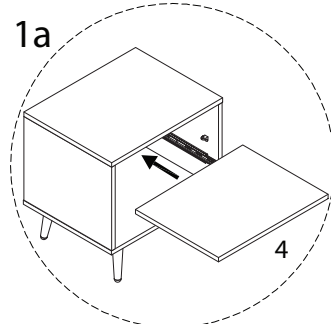
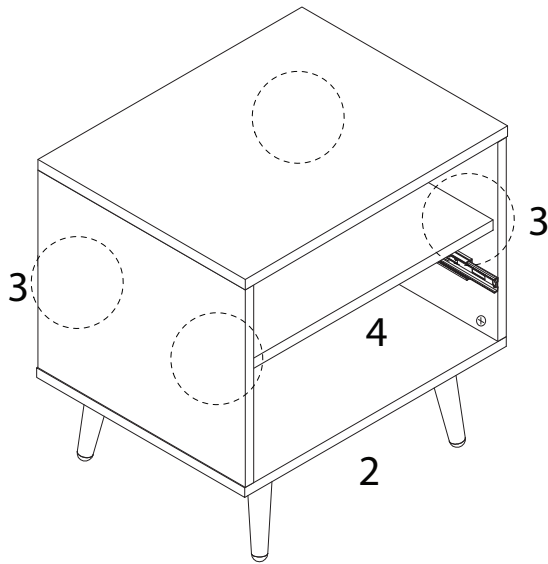
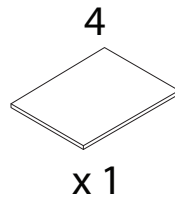
D



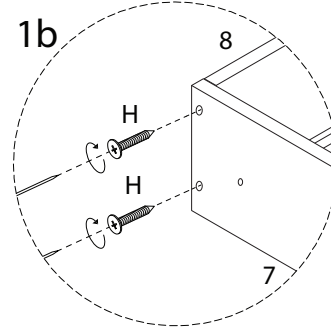
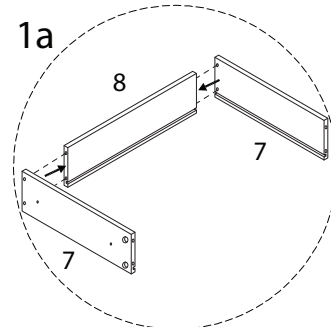
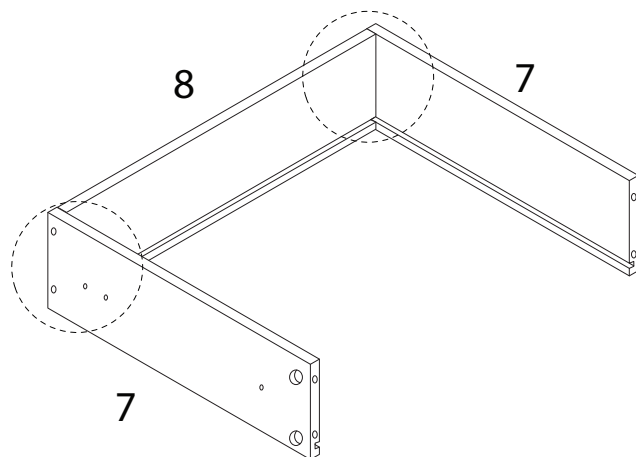
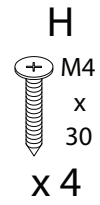
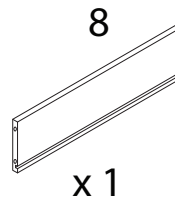
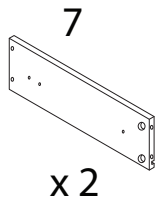
x 4



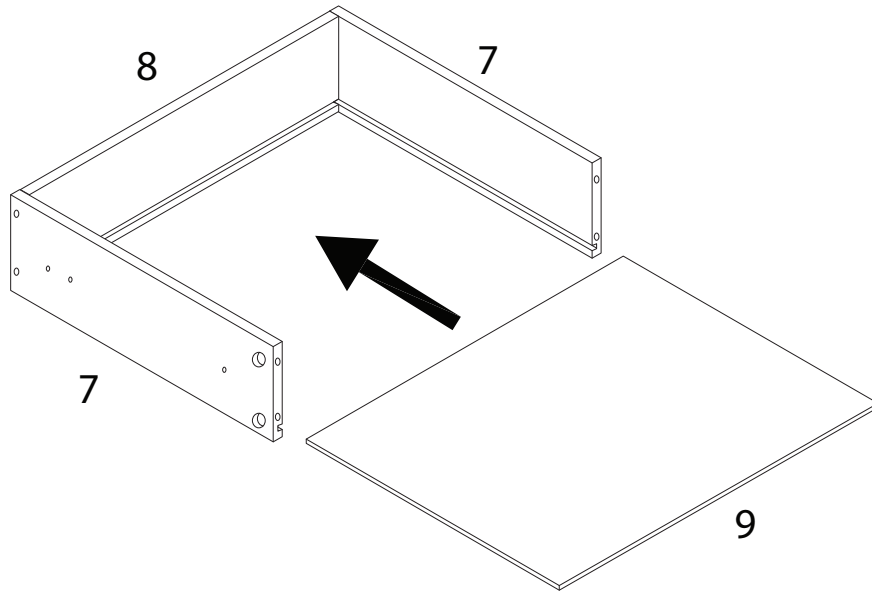
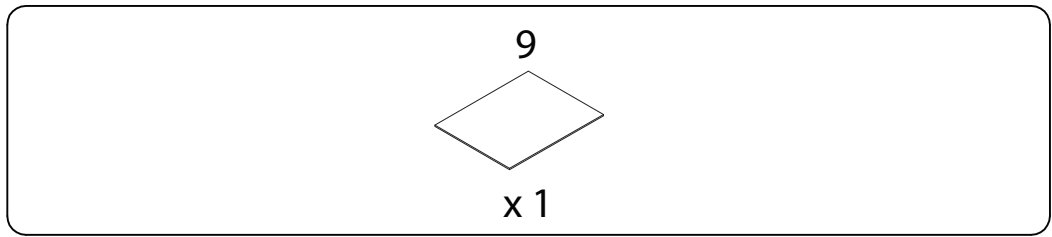
13



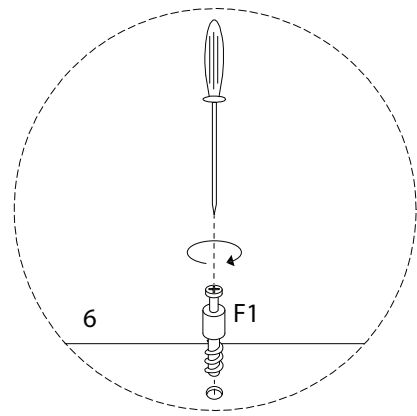
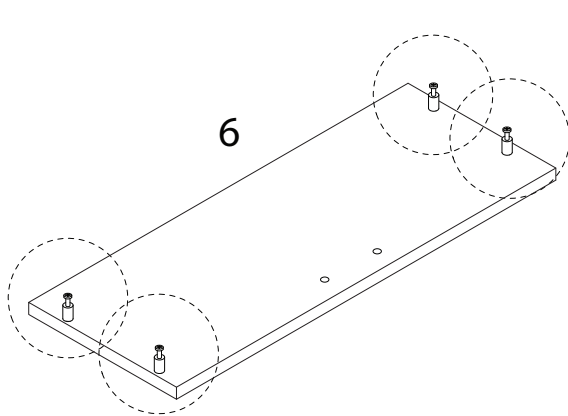
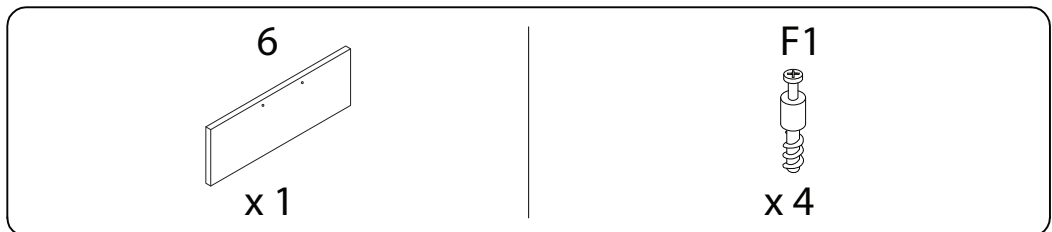
14



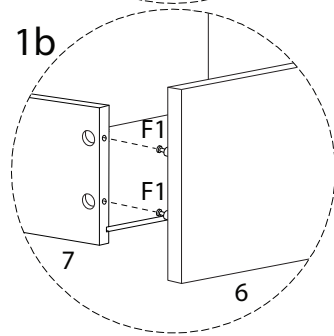
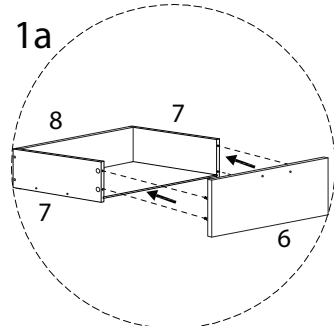
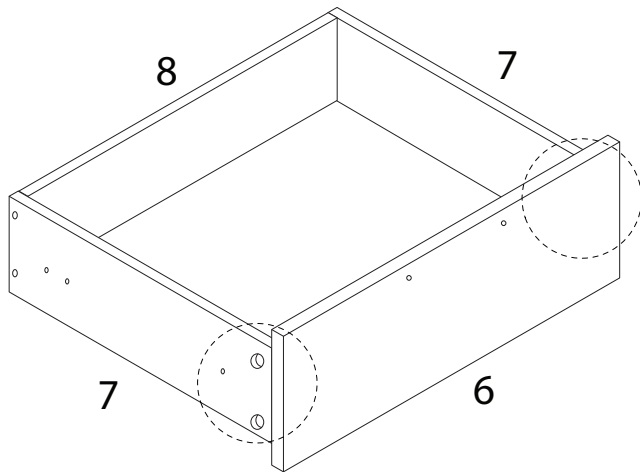
15



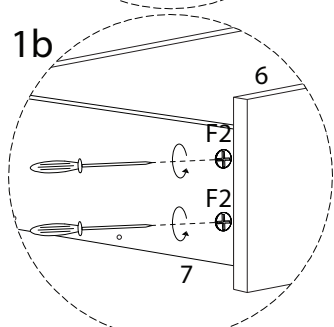
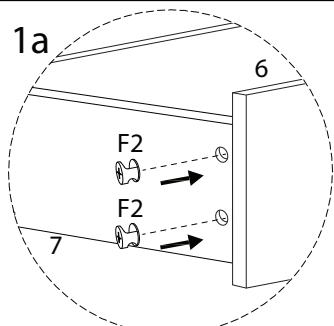
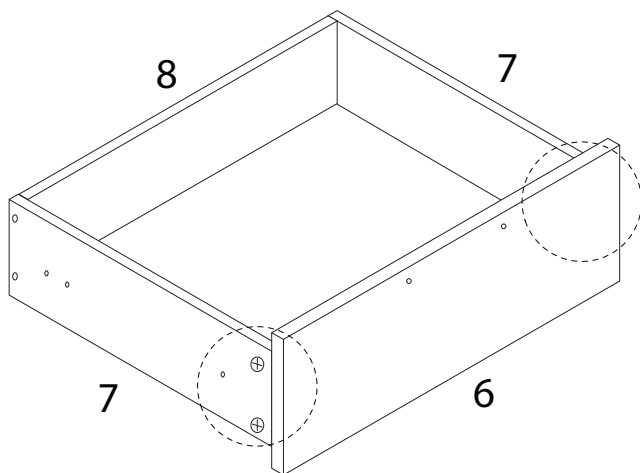
16



17

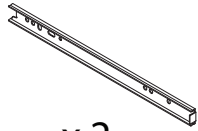


18



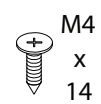
19

K2

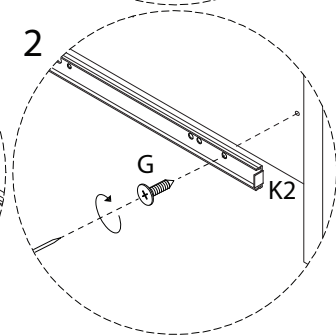
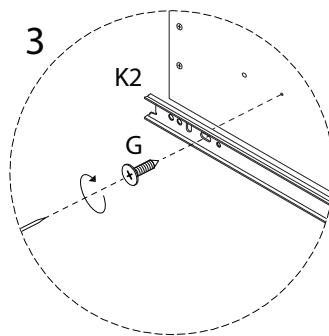
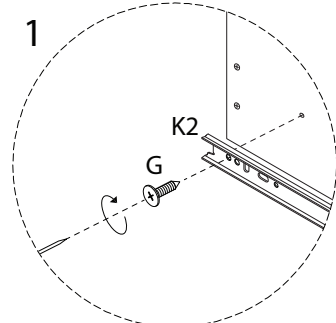
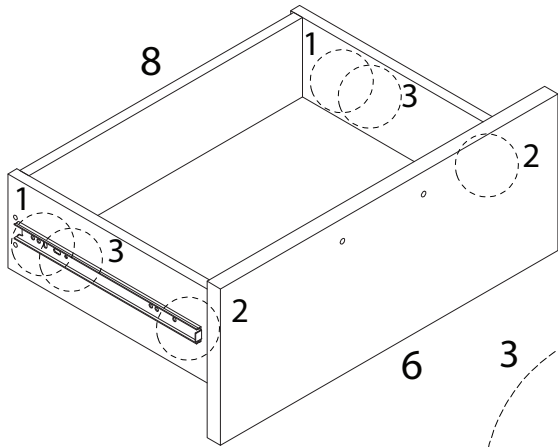


x 2

G

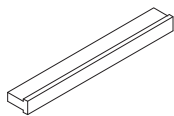


x 6



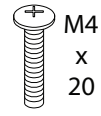
20

J

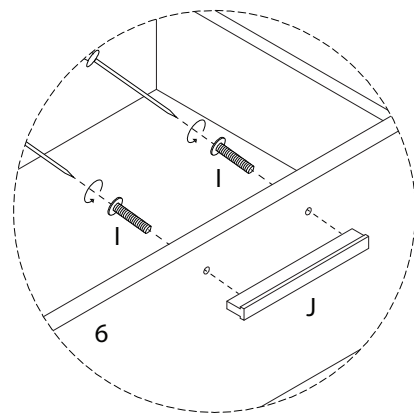
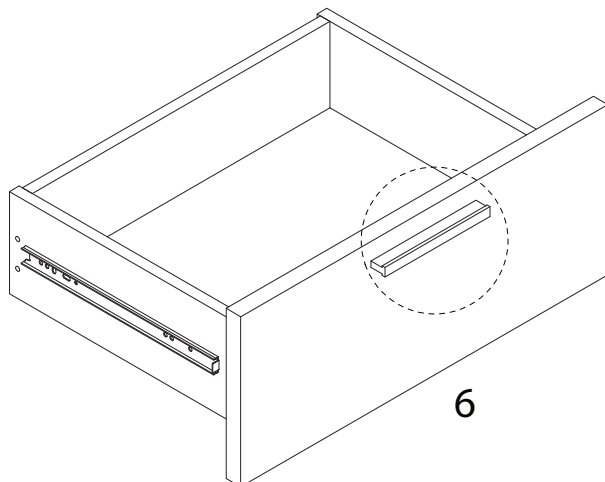


x 1

I



x 2



21

