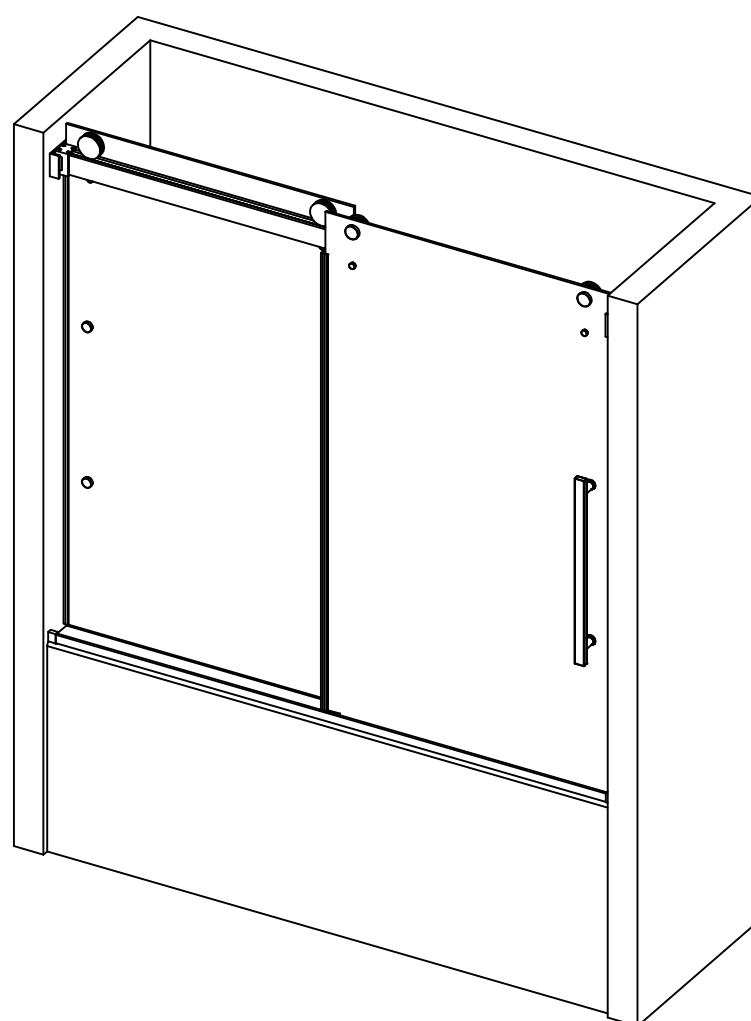
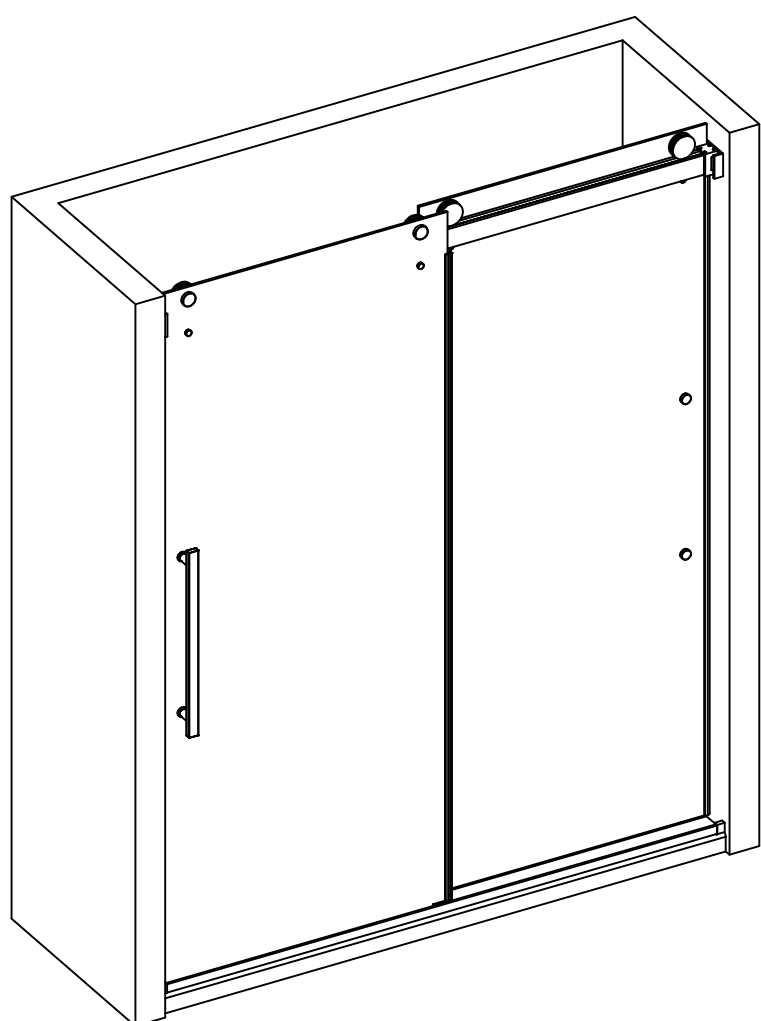


# SHOWER DOOR INSTALLATION INSTRUCTION MANUAL

## MBSF01 BNSF01



For any inquiries or support regarding your shower door, please contact our Customer Service at: [Aquadureservice@outlook.com](mailto:Aquadureservice@outlook.com).

To help us assist you promptly, please provide the following information in your email:

- Order ID
- Product Model Number

## General Information

Please inspect the product immediately upon receipt for any transit damage, missing packs/parts, or manufacturing faults. Damage reported at a later stage cannot be accepted. Handle the product with care, avoiding knocks and shock loading to all sides and edges of the glass.

### **Note: Safety glass cannot be reworked.**

Please read these instructions carefully before beginning installation.

Special care should be taken when drilling walls to avoid damaging hidden pipes or electrical cables.

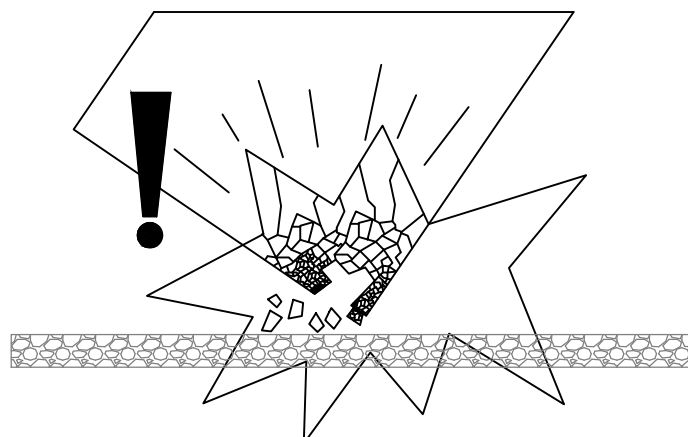
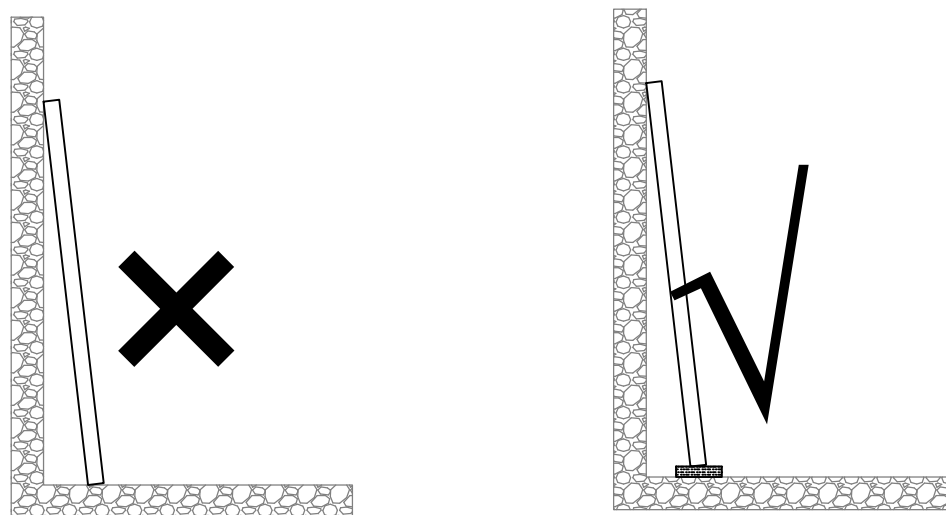
**Note:** This product is heavy and may require two people for installation.

## Aftercare Instructions

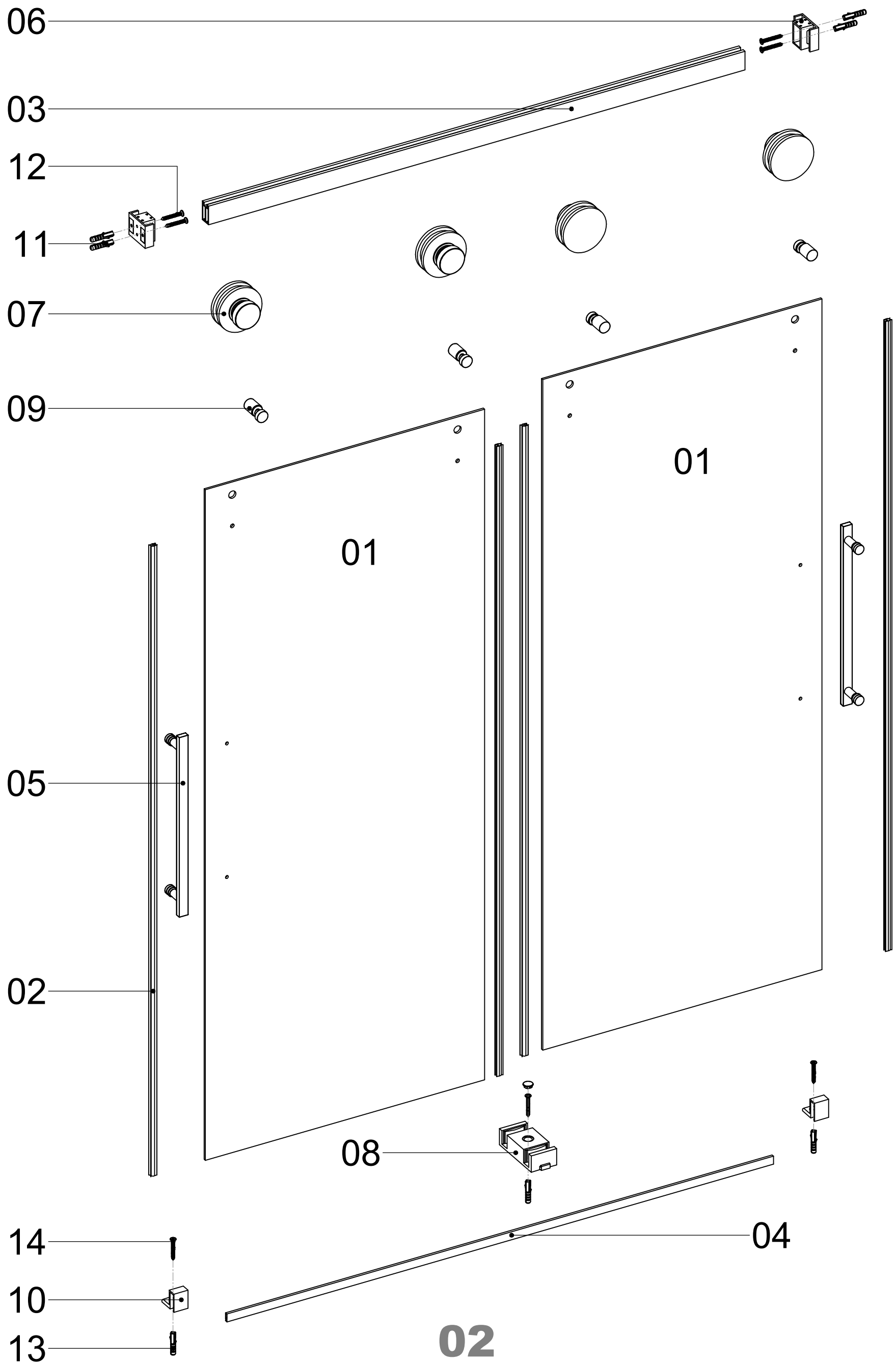
After use, the shower enclosure should be cleaned with soap and water. This is particularly important in hard water areas, where insoluble lime salts may be deposited and accumulate. Do not use gritty or abrasive cleaners. Take care to avoid contact with strong chemicals such as organic solvents and paint strippers. Glass cleaners may be used, but with caution. If in doubt, please consult the manufacturer of the cleaning product in question.

Please retain these instructions for future reference regarding aftercare and customer service details.

**CAUTION:** To reduce the risk of breakage, keep the corner protectors on the glass during installation. Retain the corner protectors in case future adjustments are needed.

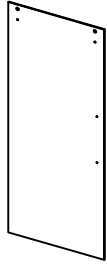

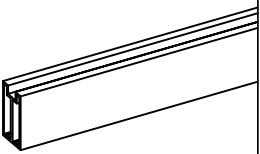
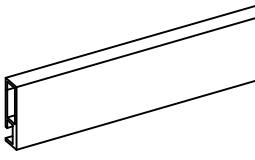
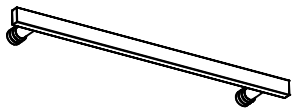
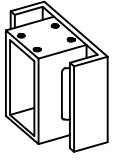

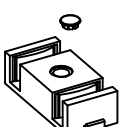
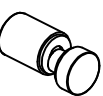
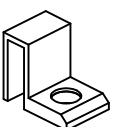
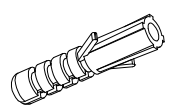
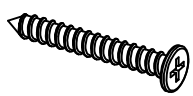
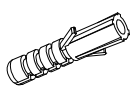

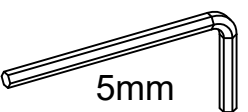



# DETAILED DIAGRAM OF SHOWER DOOR COMPONENTS

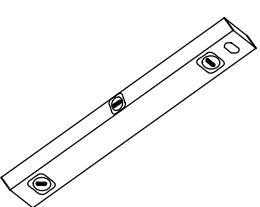
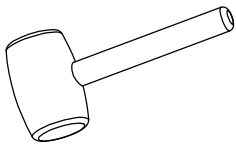
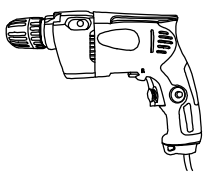

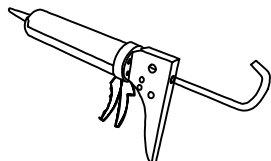
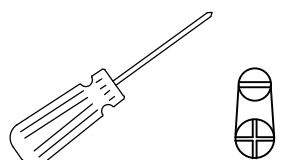
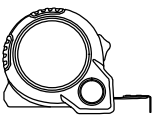
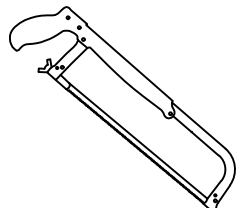


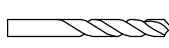
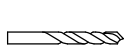


# PART LIST

Please verify that you have all the following parts before starting assembly.

 <p>01 2PCS</p> <p>Active Door Panel</p>	 <p>02 4PCS</p> <p>Bumper Strip</p>	 <p>03 1PC</p> <p>Top Rail</p>	 <p>04 1PC</p> <p>Bottom Rail</p>	 <p>05 2PCS</p> <p>Handle</p>	 <p>06 2PCS</p> <p>Rail Wall Connector</p>
 <p>07 4PCS</p> <p>Roller Assembly</p>	 <p>08 1PC</p> <p>Sliding Block</p>	 <p>09 4PCS</p> <p>Anti-Jumper</p>	 <p>10 2PCS</p> <p>Bottom Rail Wall Connecting Part</p>	 <p>11 4PCS</p> <p>Ø8mm Wall Anchor</p>	 <p>12 4PCS</p> <p>Self-Tapping Screws (ST5x35)</p>
 <p>13 3PCS</p> <p>Ø6mm Wall Anchor</p>	 <p>14 3PCS</p> <p>Self-Tapping Screws (ST4x30)</p>	 <p>15 1PC</p> <p>Allen Wrench 5mm</p>	 <p>16 1PC</p> <p>Allen Wrench 2.5mm</p>		

## Recommended Tools

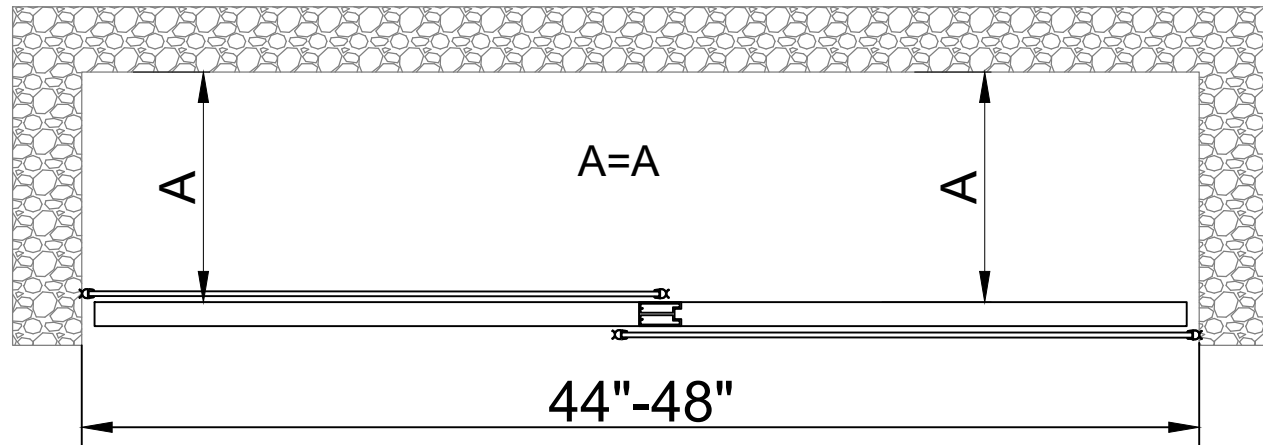
 <p>Level</p>	 <p>Rubber Hammer</p>	 <p>Drill</p>	 <p>Pencil</p>	 <p>Silicone</p>	 <p>Screw Driver</p>
 <p>Tape Measure</p>	 <p>Hacksaw</p>	 <p>Safety Glass</p>	 <p>Safety Gloves</p>	 <p>Ø8mm</p>  <p>Ø6mm</p> <p>Drill Bit</p>	

### Warning:

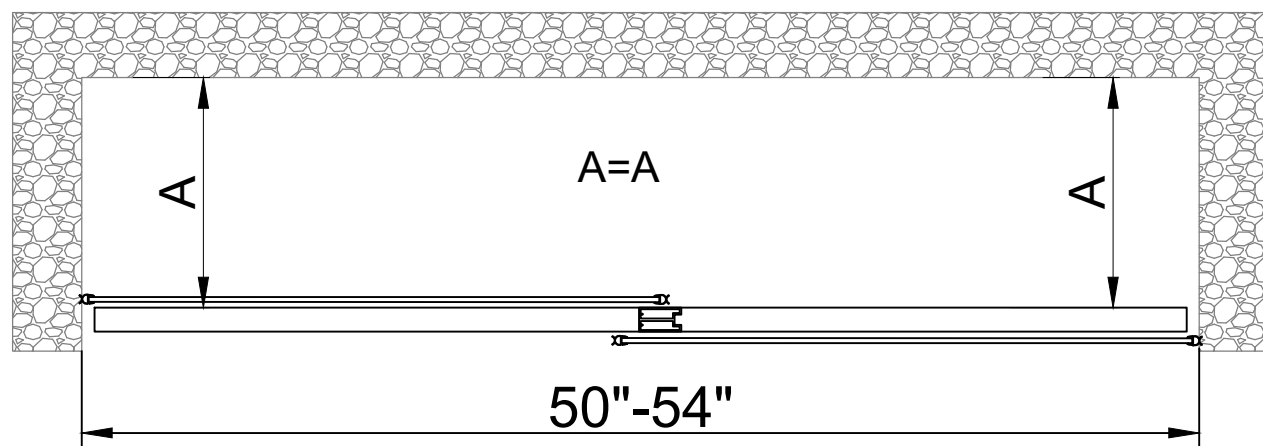
- Always wear safety glasses and gloves during assembly to prevent injury.
- We recommend that two people work together to complete the installation.

Choose the appropriate diagram below to assemble your shower door based on your opening width.

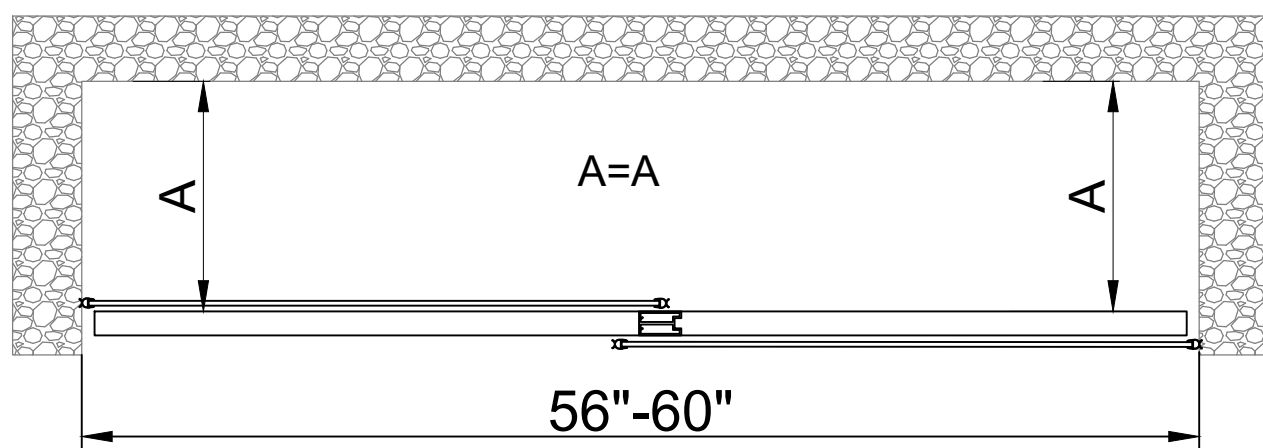
For an opening width between 44" to 48", please follow the installation diagram below.



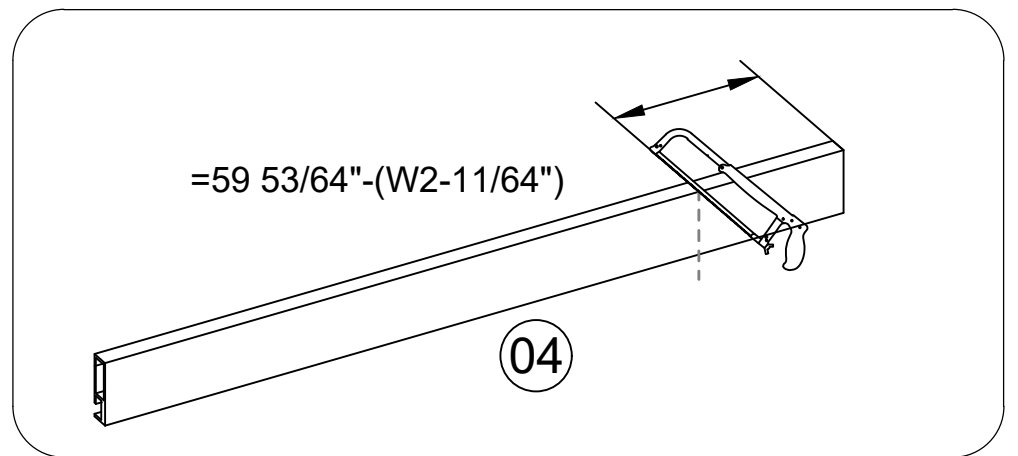
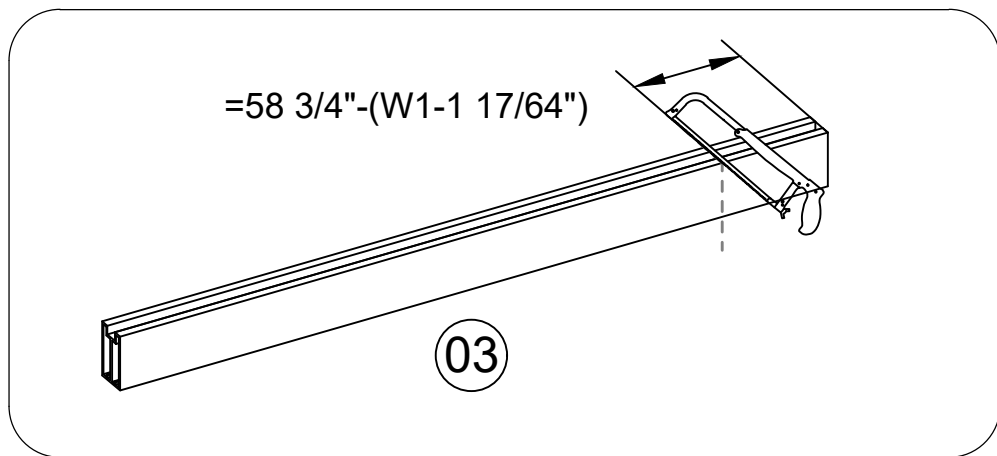
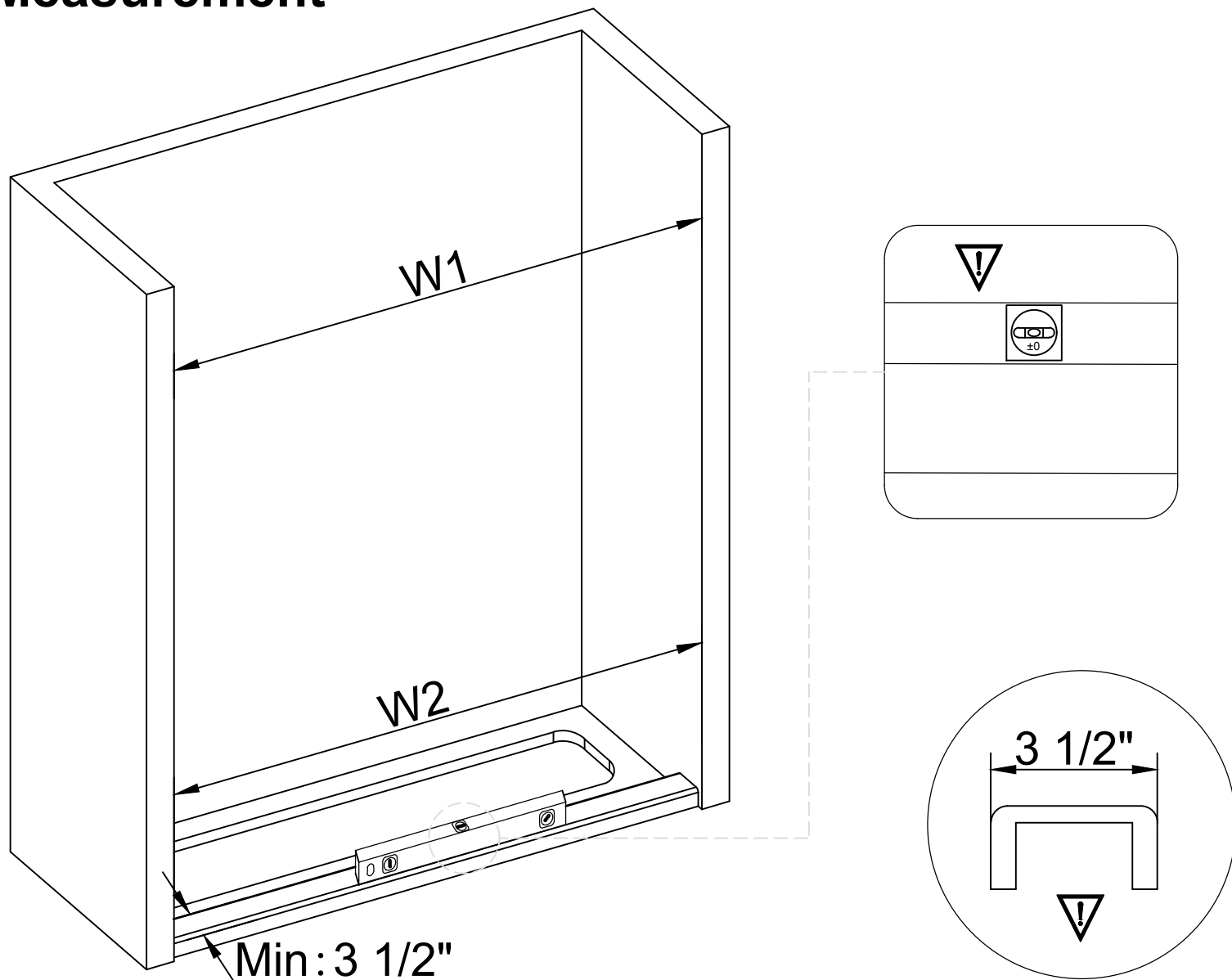
For an opening width between 50" to 54", please follow the installation diagram below.



For an opening width between 56" to 60", please follow the installation diagram below.



# STEP 1 Measurement



## 1. Check Alignment & Measure

Ensure the threshold is perfectly level and the side walls are plumb. Measure the finished opening width at the top (record as W1) and at the bottom (record as W2).

## 2. Assess Rail Fit

If no cutting is needed: Proceed to the next installation step.

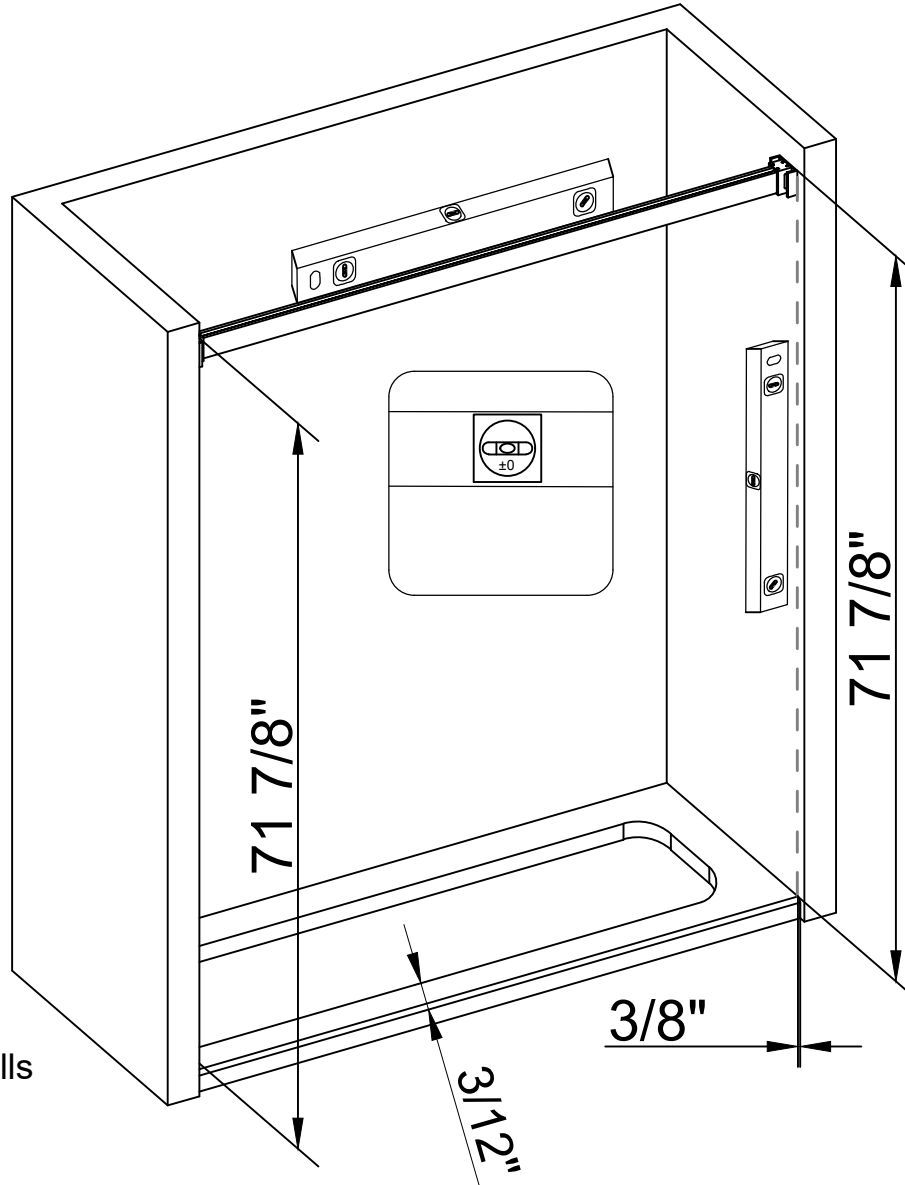
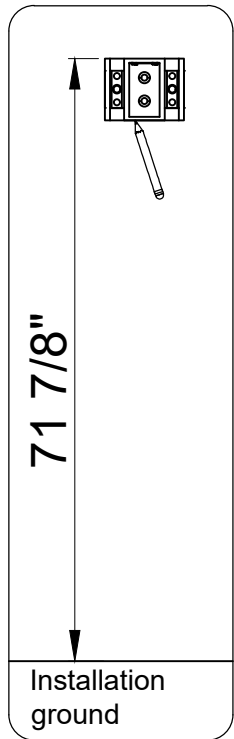
If cutting is required: If the opening is smaller than your shower model size, both the Top Rail and Bottom Rail will need to be cut to fit.

## 3. Cutting the Rails (If Required)

**IMPORTANT:** The Top Rail and Bottom Rail are pre-cut to different lengths and must not be cut to the same size. Follow the calculations in the table below.

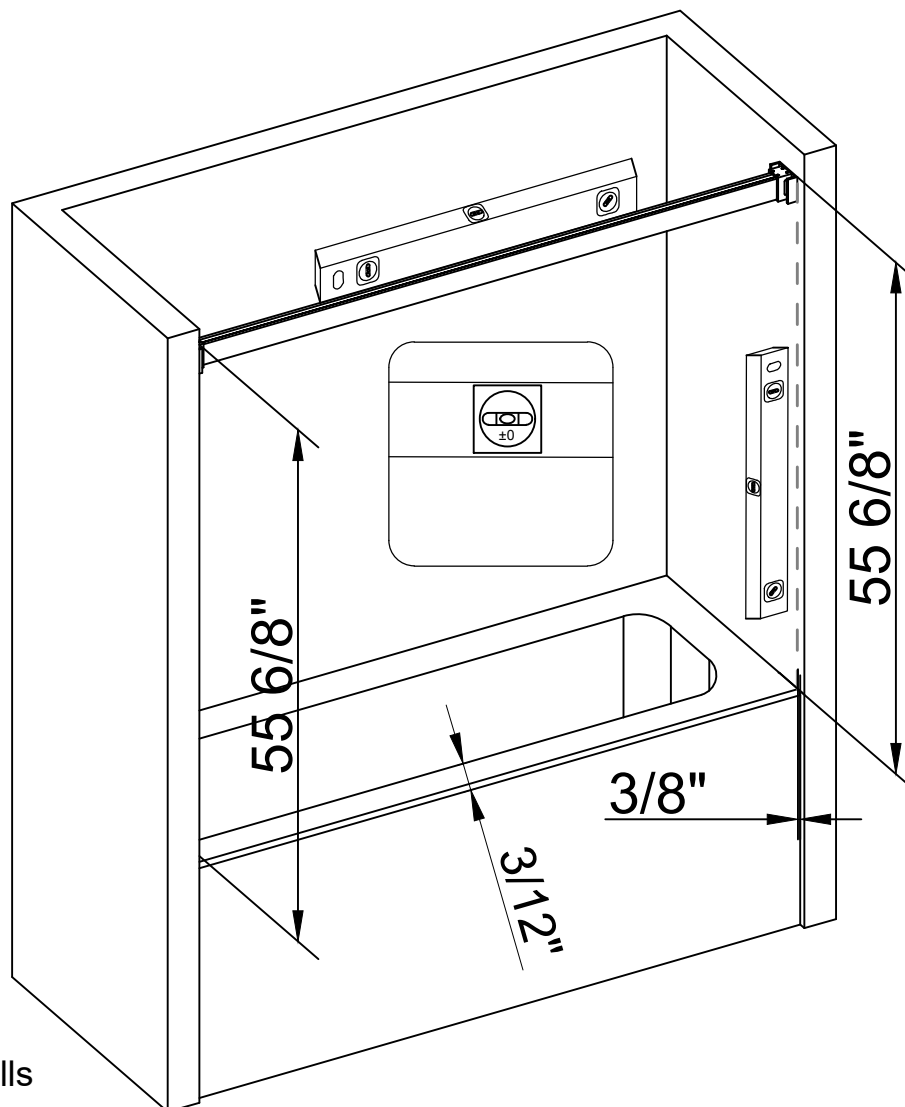
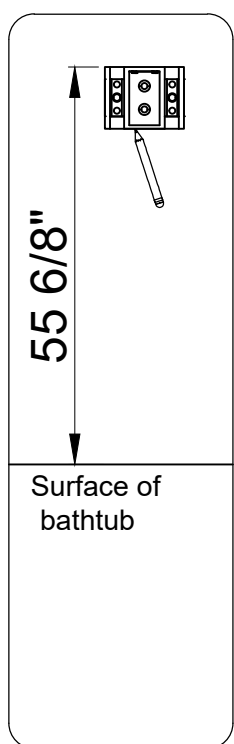
Model Size	Top Rail Length	Top Rail Cut Length	Bottom Rail Length	Bottom Rail Length Cut Length
44" to 48"	46 $\frac{49}{64}$ "	46 $\frac{49}{64}$ " - (W1 - 1 $\frac{17}{64}$ " )	47 $\frac{7}{8}$ "	47 $\frac{7}{8}$ " - (W2 - 1 $\frac{11}{64}$ " )
50" to 54"	52 $\frac{3}{4}$ "	52 $\frac{3}{4}$ " - (W1 - 1 $\frac{17}{64}$ " )	53 $\frac{55}{64}$ "	53 $\frac{55}{64}$ " - (W2 - 1 $\frac{11}{64}$ " )
56" to 60"	58 $\frac{3}{4}$ "	58 $\frac{3}{4}$ " - (W1 - 1 $\frac{17}{64}$ " )	59 $\frac{53}{64}$ "	59 $\frac{53}{64}$ " - (W2 - 1 $\frac{11}{64}$ " )

## STEP 2 Prepare and Measure for the Top Rail



Verification: Check threshold and walls with a level before proceeding

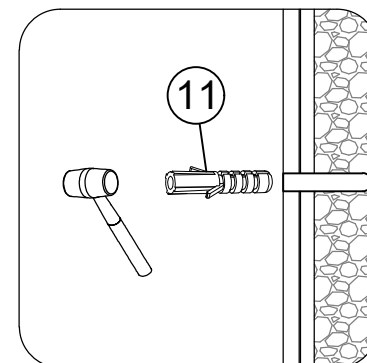
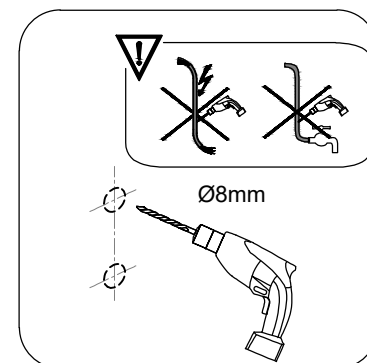
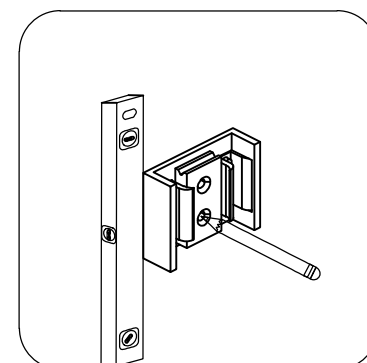
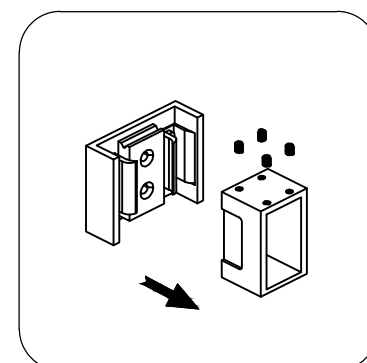
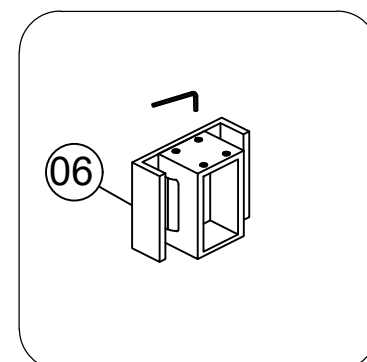
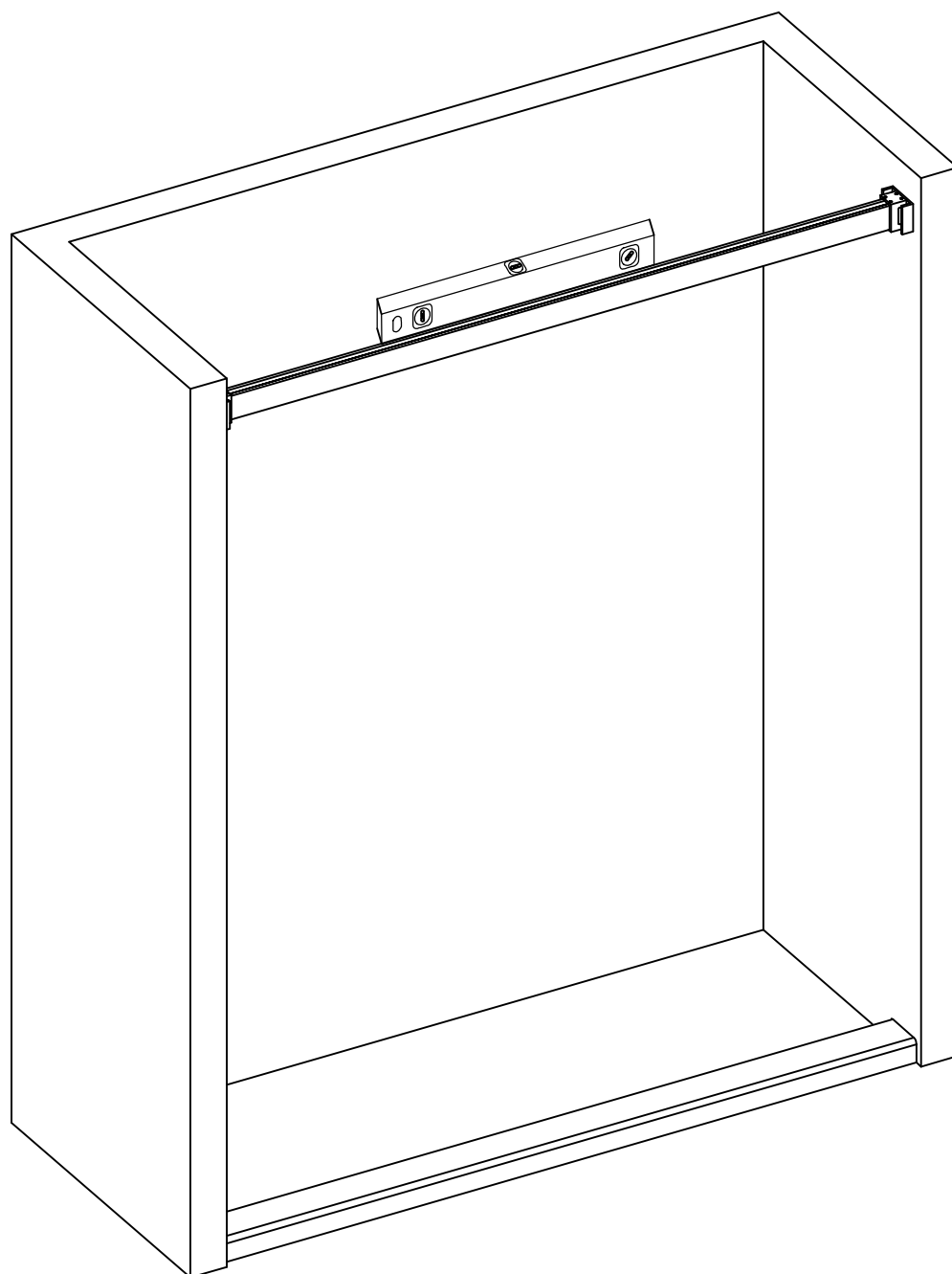
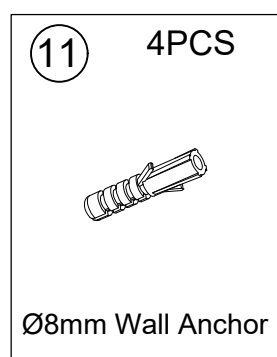
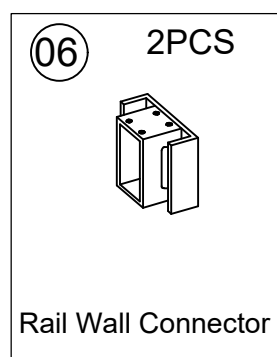
Minimum threshold height: 3/12"



Verification: Check threshold and walls with a level before proceeding

Minimum threshold height: 3/12"

## STEP 3 Mark Drilling Points and Install Wall Anchors



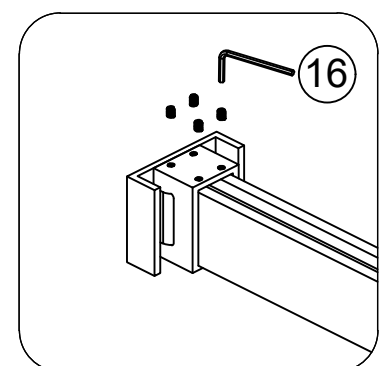
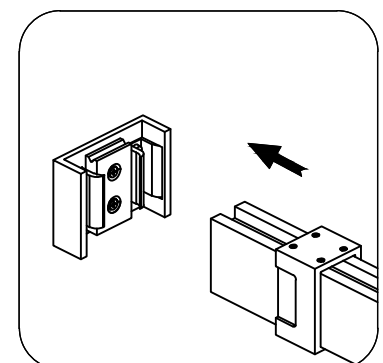
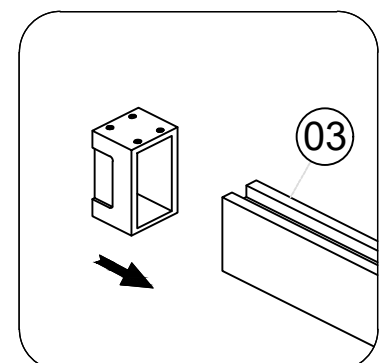
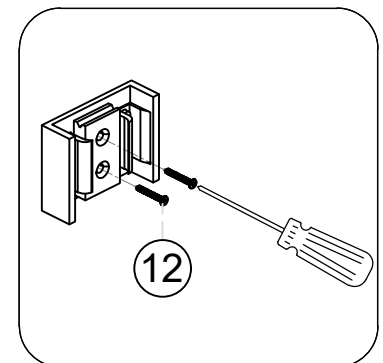
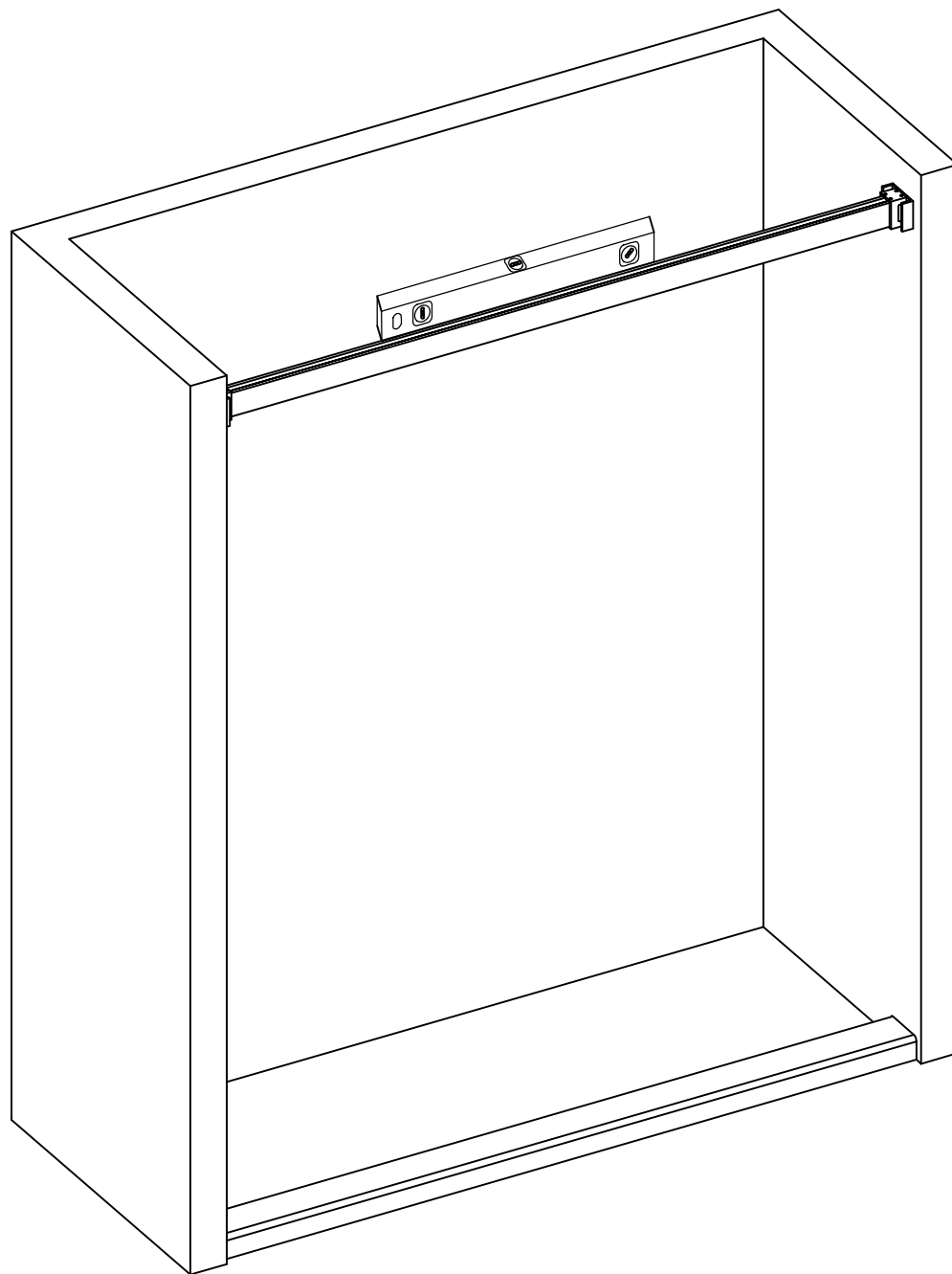
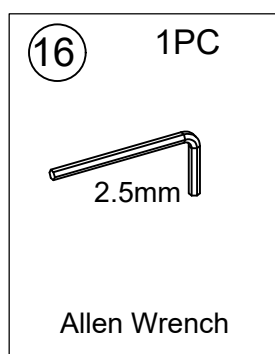
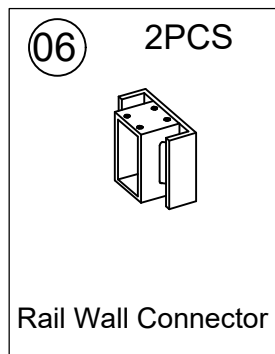
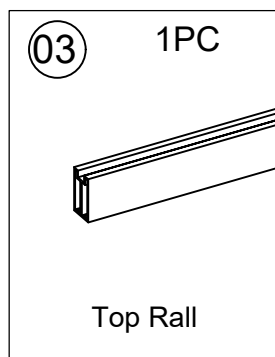
1. Using the Allen wrench, loosen the top screw on the top rail wall connector. Then, detach the bracket component and set it aside for now.

2. Referring to the measurement diagram, mark the installation points for both the left and right top rail supports on the wall.

3. Using a power drill, carefully drill holes at the marked locations.

4. Gently tap the Ø8mm wall anchors into the drilled holes until they are flush with the wall surface.

## STEP 4 Mount Rail Wall Connector and Install Top Rail



1. Secure the top rail wall connector to the wall using the ST5x35 self-tapping screws. Tighten them clockwise with a Phillips-head screwdriver until snug.

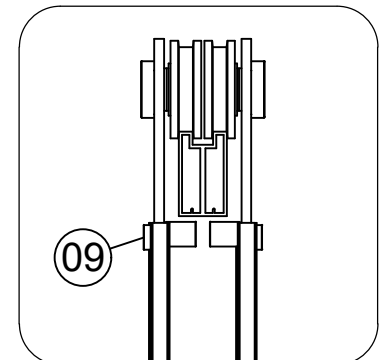
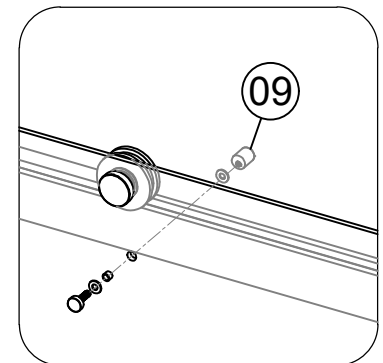
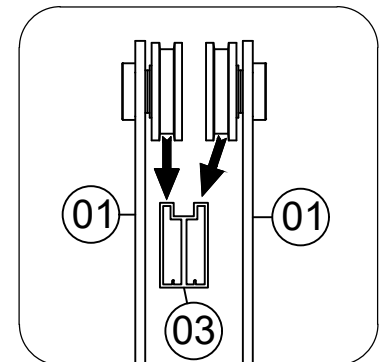
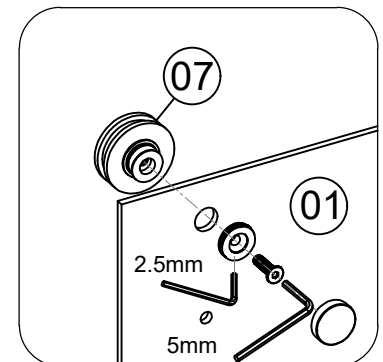
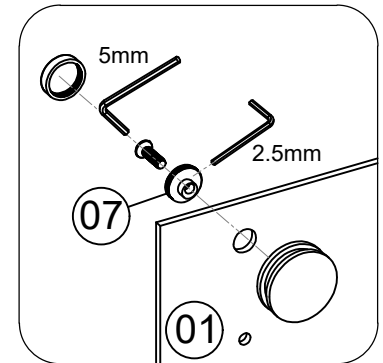
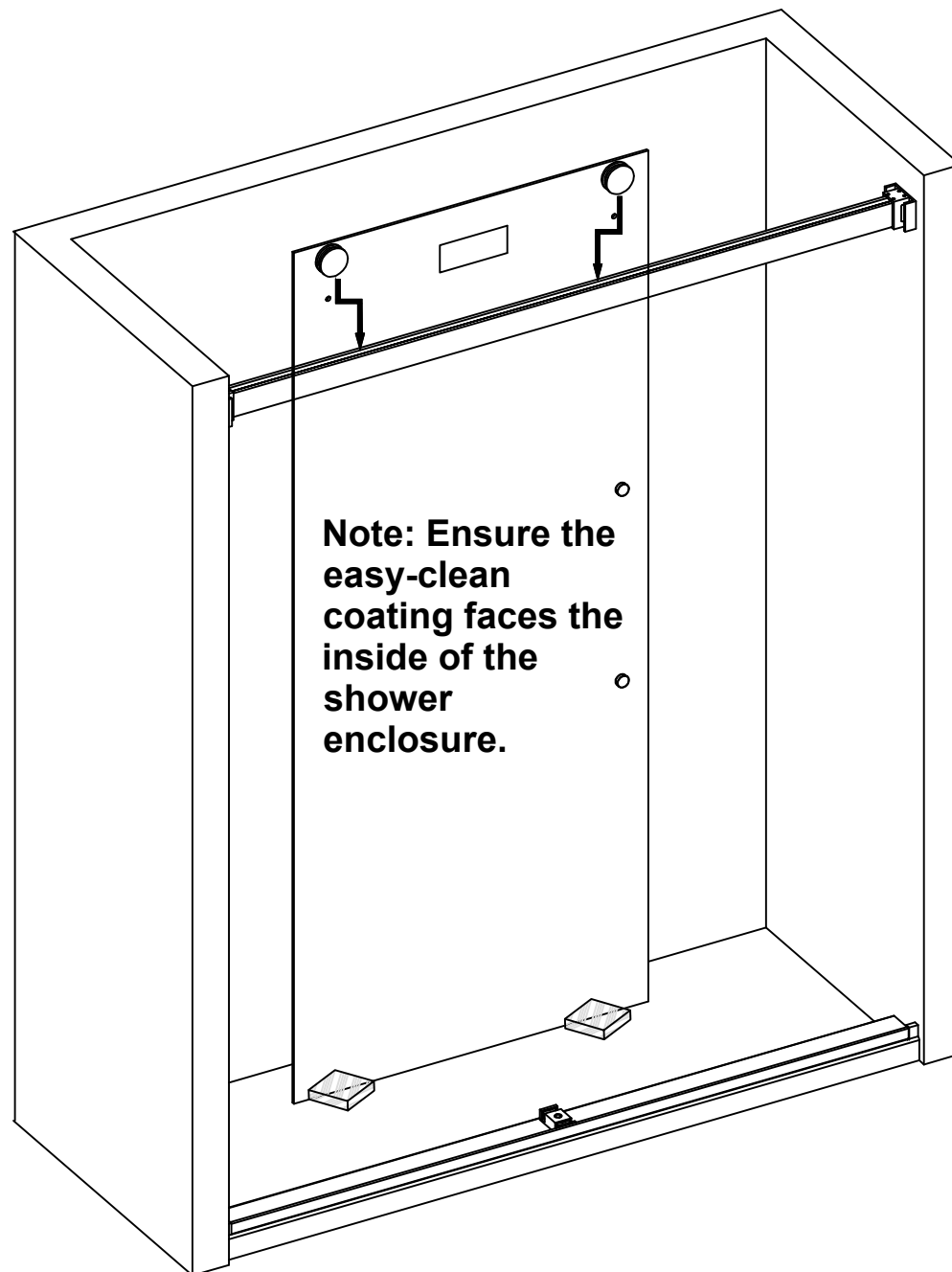
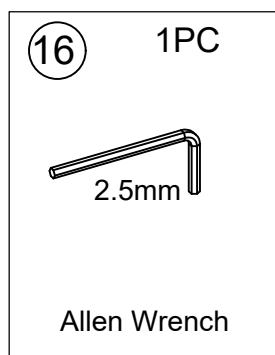
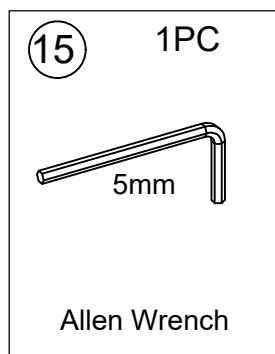
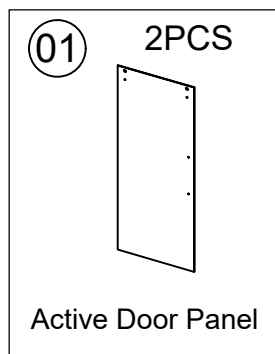
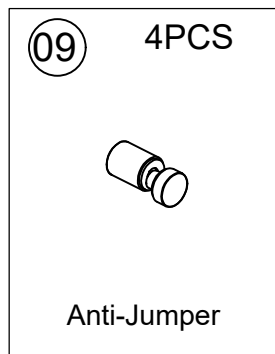
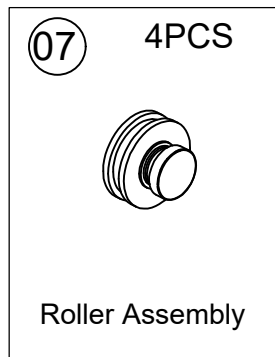
2. Attach the two rod wall sleeve assemblies to both ends of the top rail.

3. Insert the top rail assembly (with the pre-mounted sleeves) into the installed wall brackets.

4. Tighten the set screw on the mounting bracket using the Allen wrench to secure the rail in place.

## STEP 5 Install Active Door Panel and Anti-Jumper

Warning: To prevent glass breakage and potential injury, always support the bottom edge of the panel with a wooden block during handling and installation.



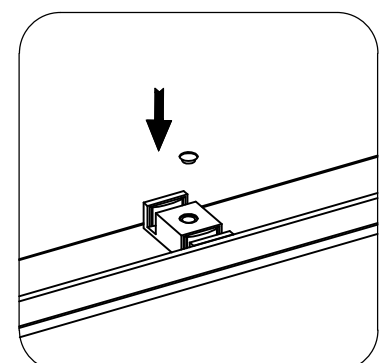
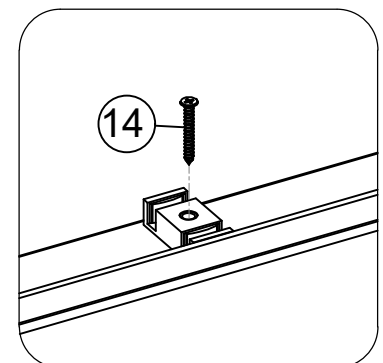
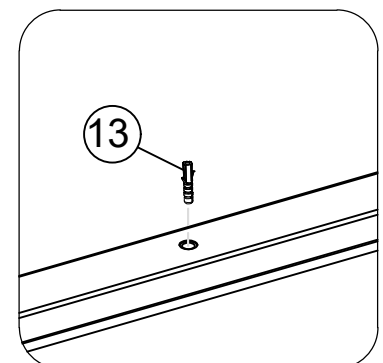
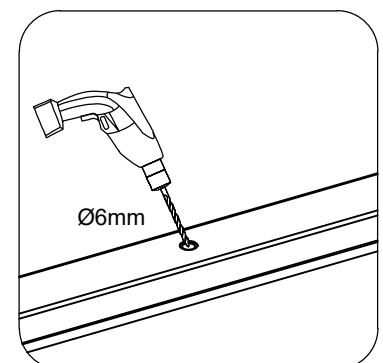
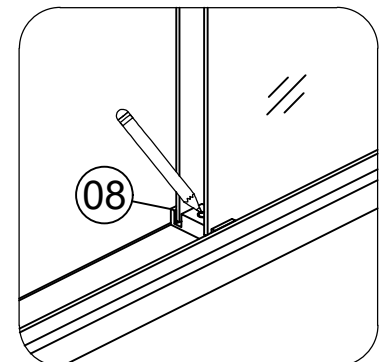
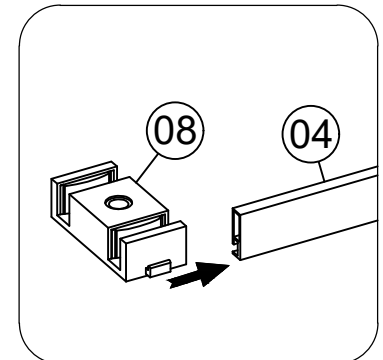
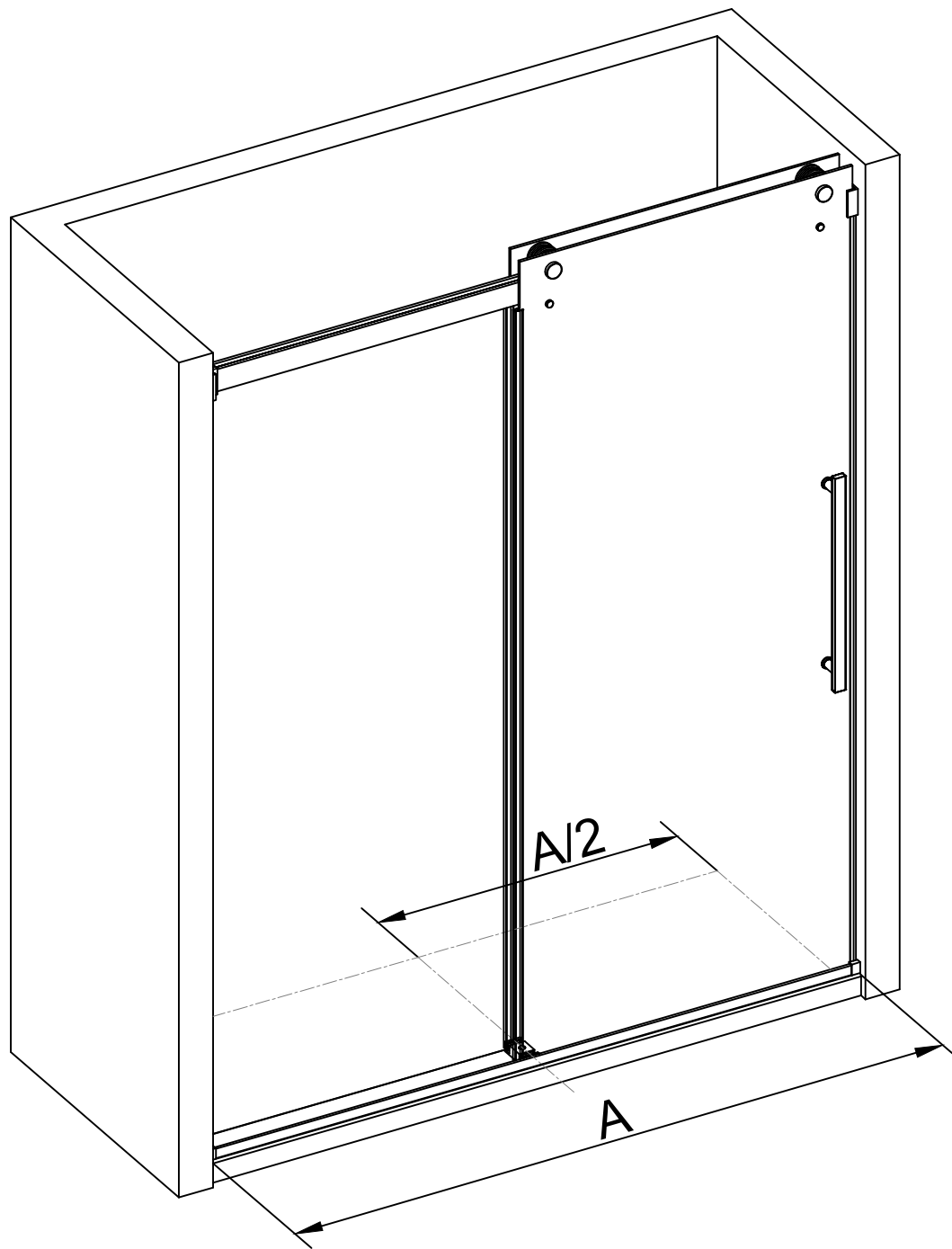
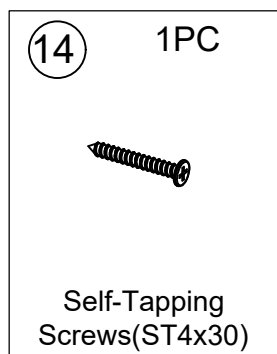
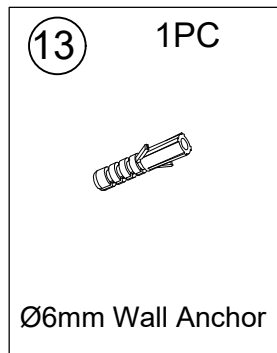
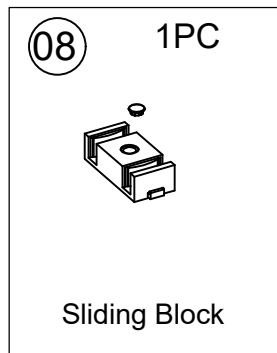
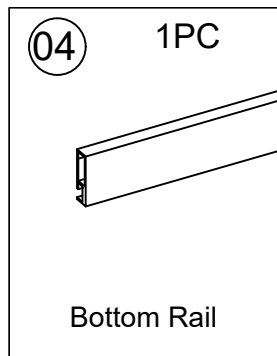
1. Using the Allen wrench, mount the roller assemblies onto the top edge of the active door panel.

2. Hang the glass door onto the top rail.

3. Install the anti-jumper onto the top of the active door panel.

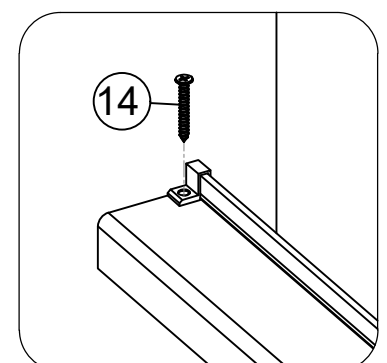
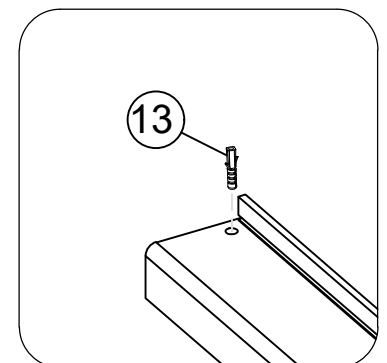
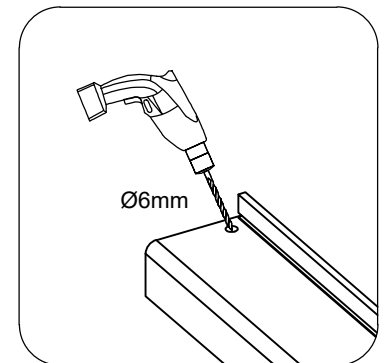
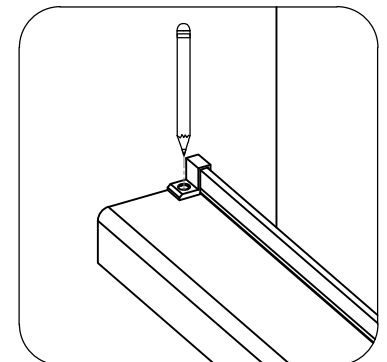
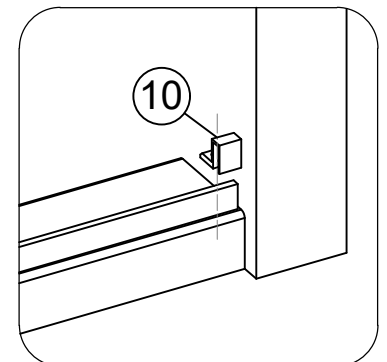
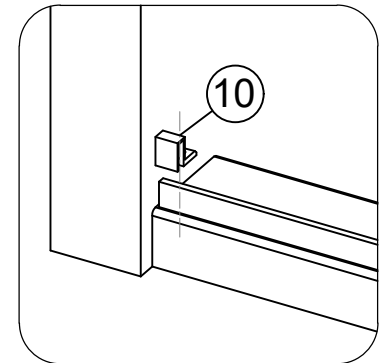
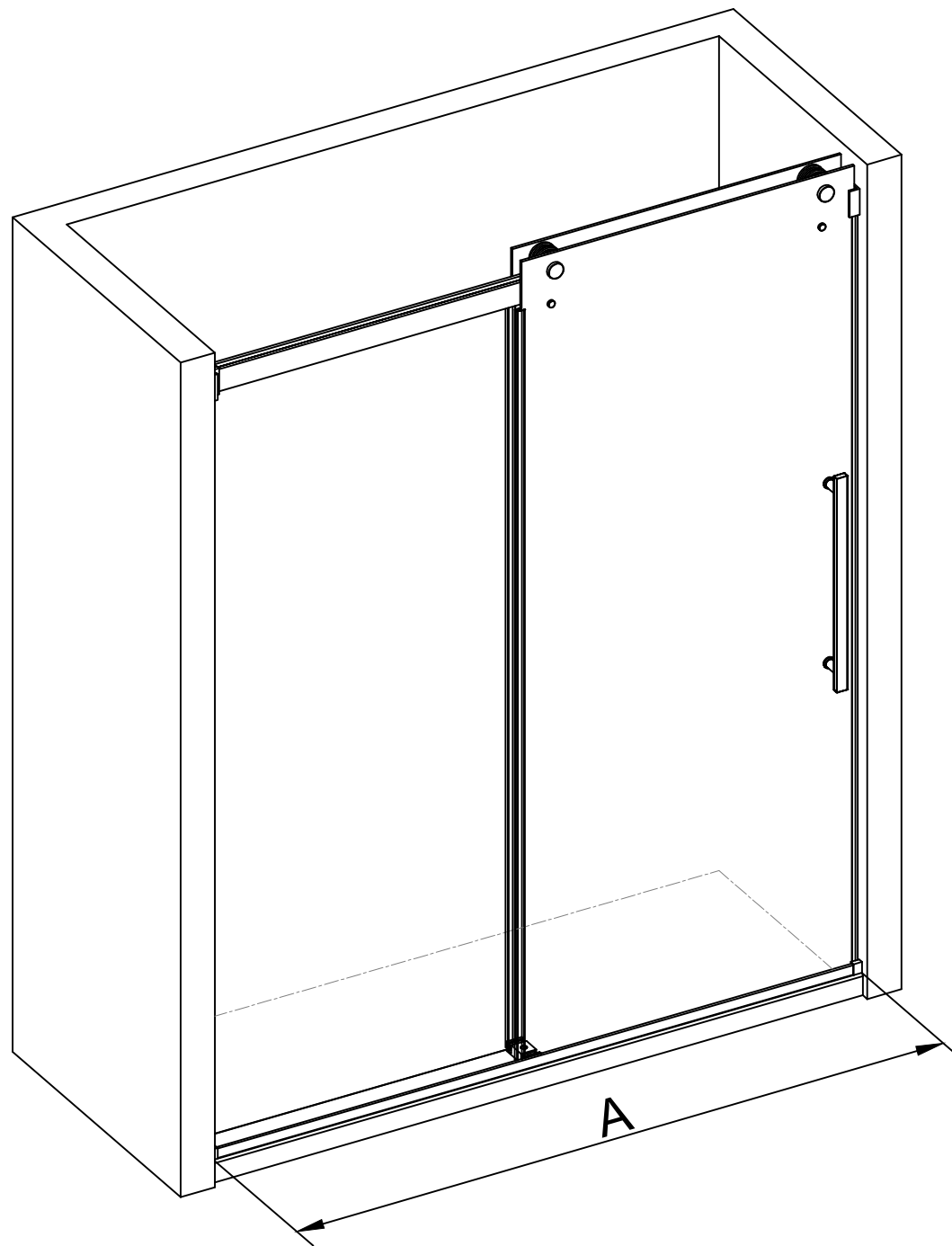
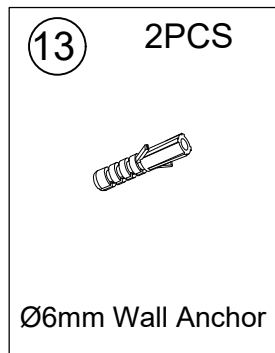
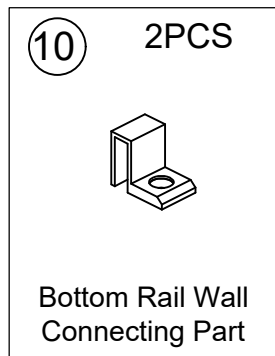
**Note: Pay attention to the correct orientation (inside vs. outside).**

## STEP 6 Install the Sliding Block



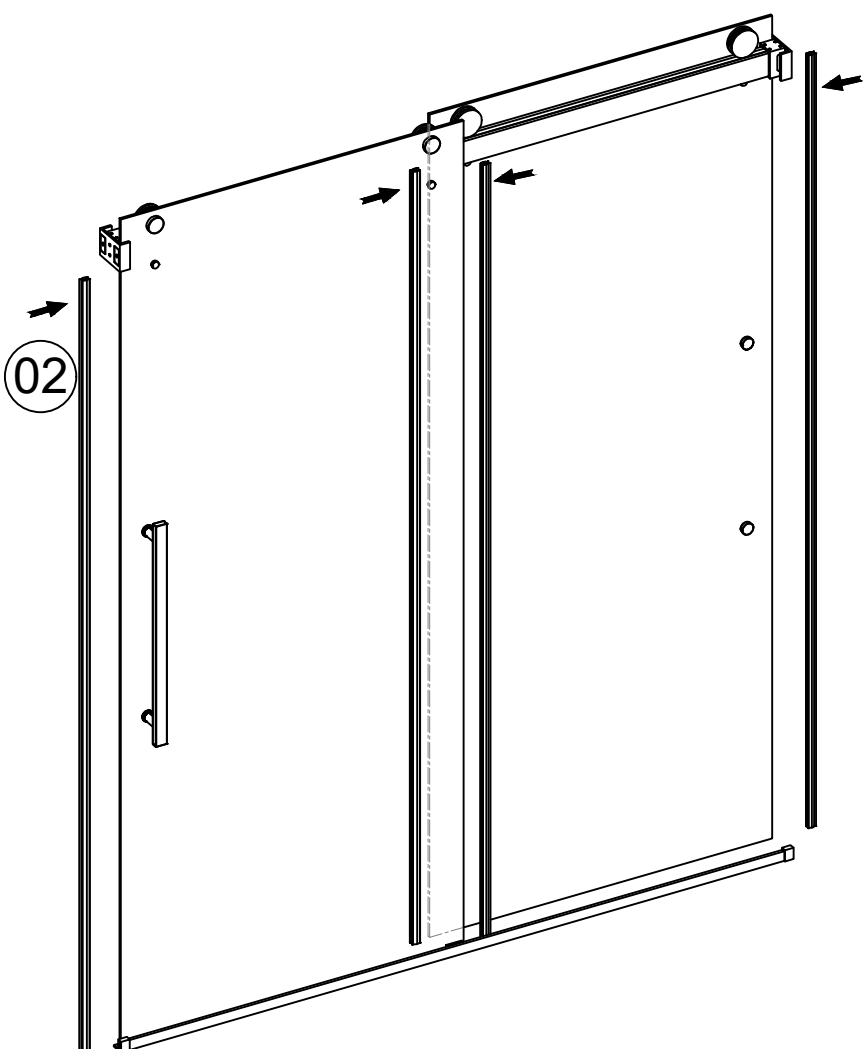
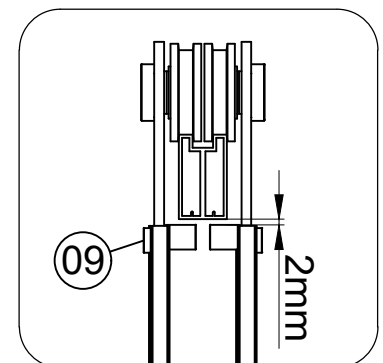
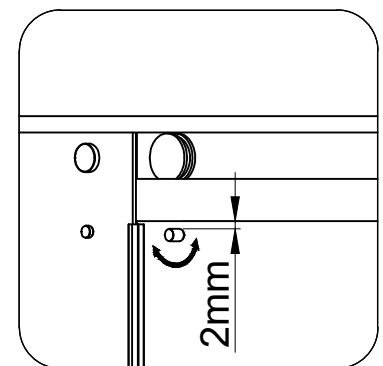
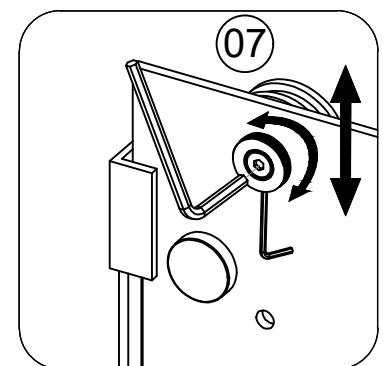
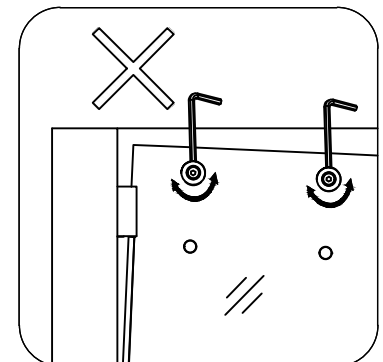
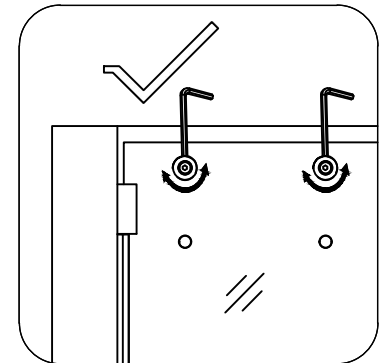
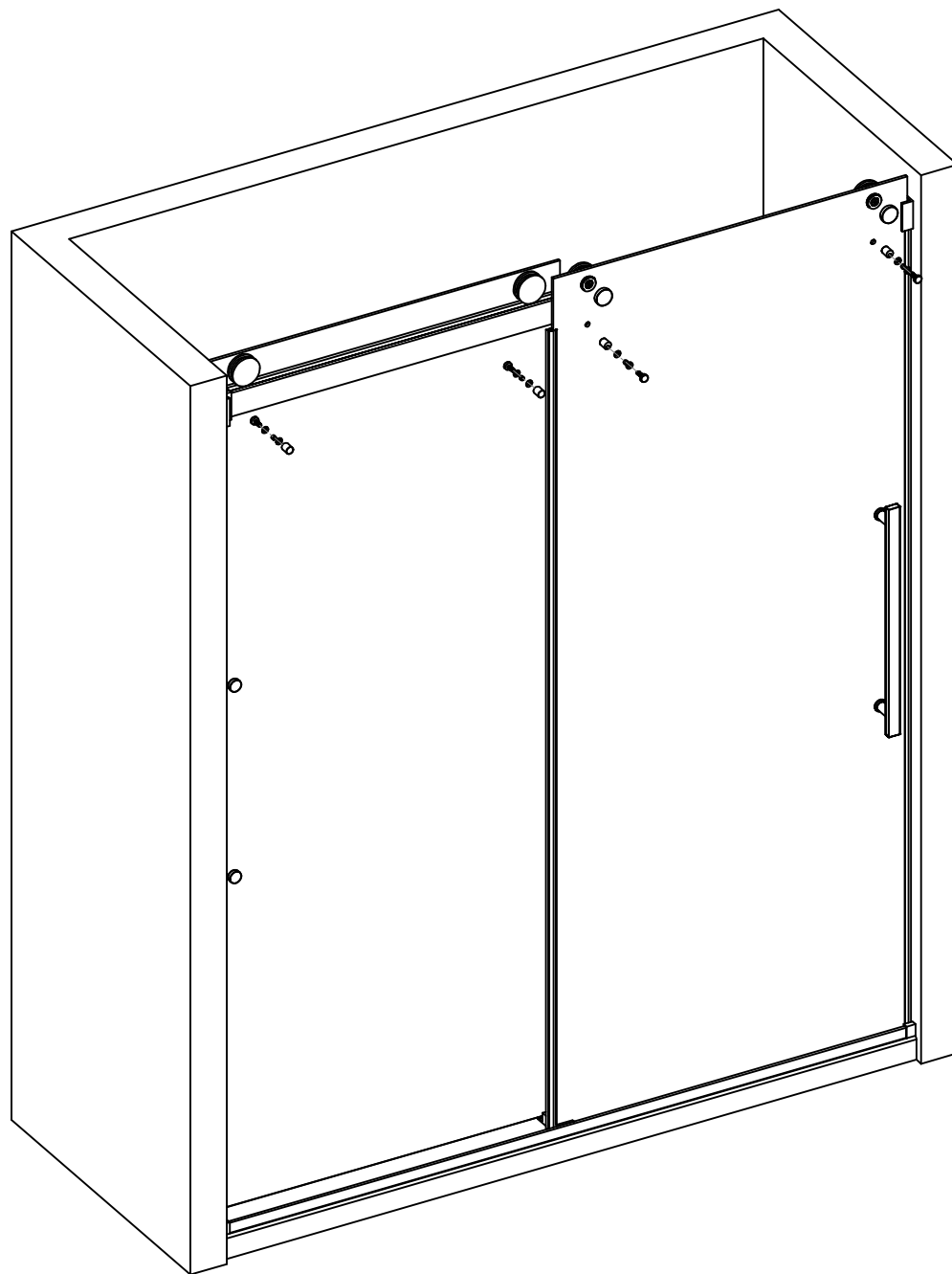
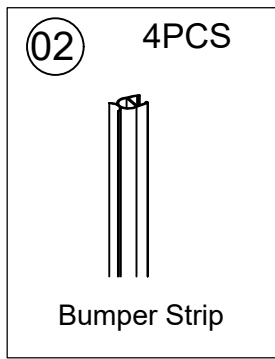
1. Slide the sliding block into the channel of the bottom rail.
2. Mark the position for the sliding block between the two active door panels.
3. Using a power drill, carefully drill holes at the marked locations.
4. Gently tap the Ø6mm wall anchors into the drilled hole.
5. Secure the sliding block to the floor using the ST4x30 self-tapping screws. Tighten them clockwise with a Phillips-head screwdriver until snug.
6. Snap the finishing cap onto the screw head to complete the installation.

## STEP 7 Secure the Bottom Rail



1. Place the bottom rail wall connecting part on one end of the bottom rail.
2. Place the other bottom rail wall connecting part on the opposite end of the bottom rail.
3. Mark the installation position through the pre-drilled hole of the bottom rail wall connecting part.
4. Using a power drill, carefully drill holes at the marked locations.
5. Gently tap the Ø6mm wall anchors into the drilled hole.
6. Secure the bottom rail wall connecting part to the floor using the ST4x30 self-tapping screws. Tighten them clockwise with a Phillips-head screwdriver until snug.

# STEP 8 Install the Bumper Strip

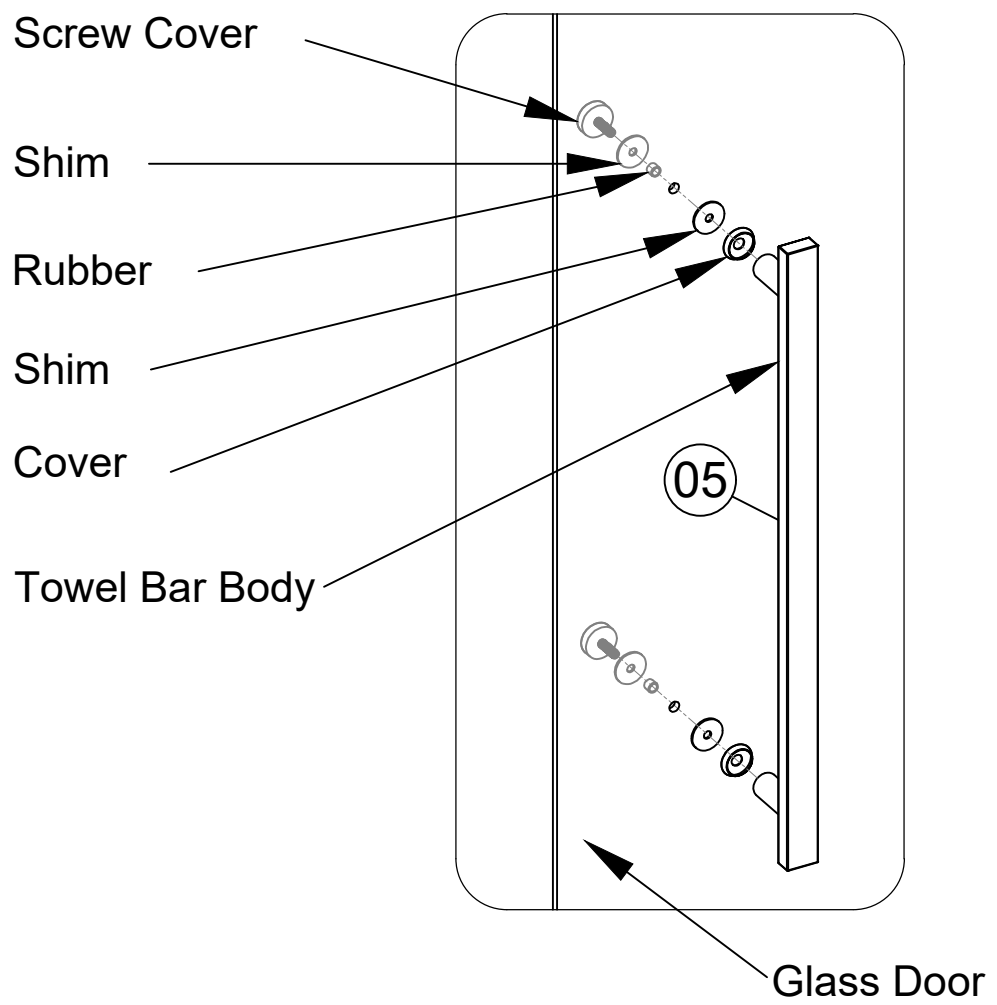
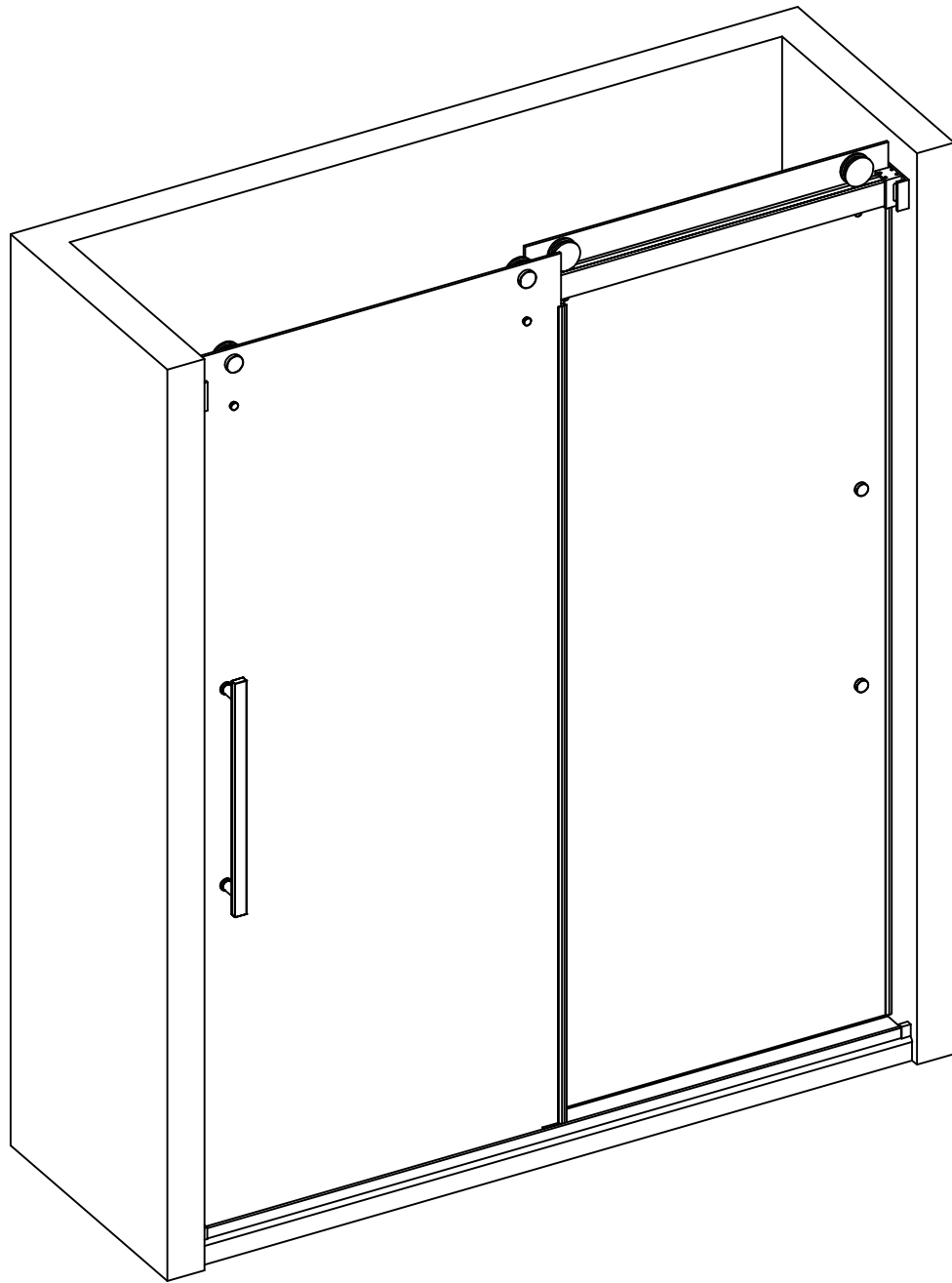
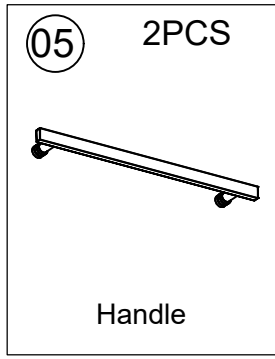


1. Adjust the roller height until the active door panel is parallel to the wall.

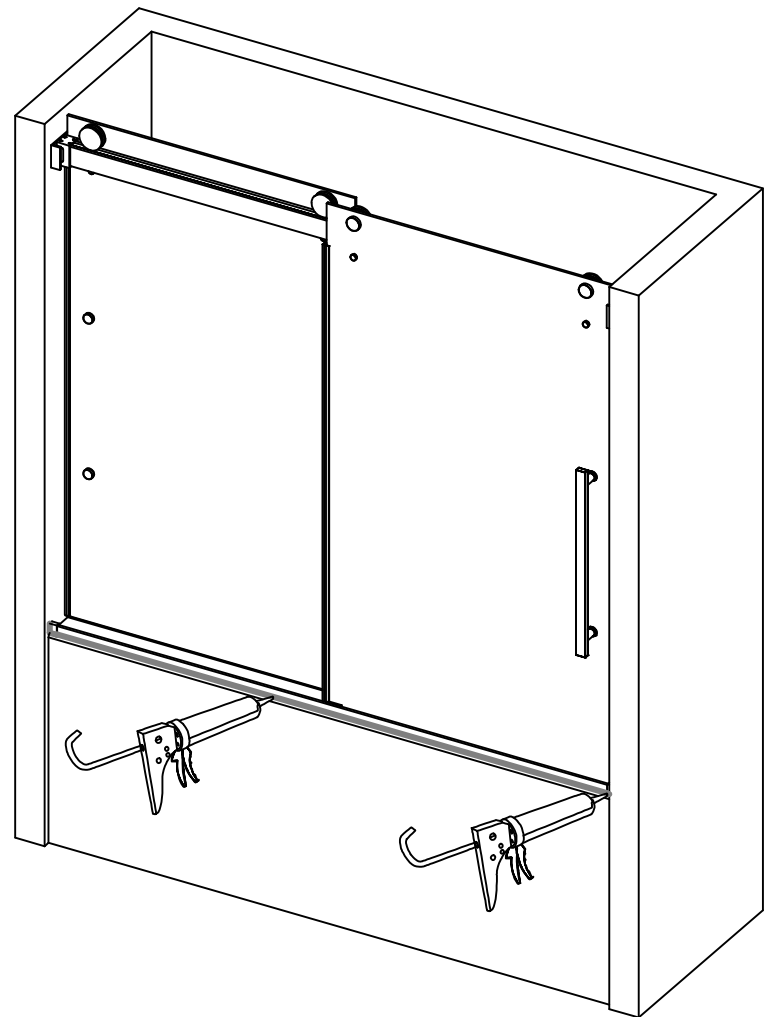
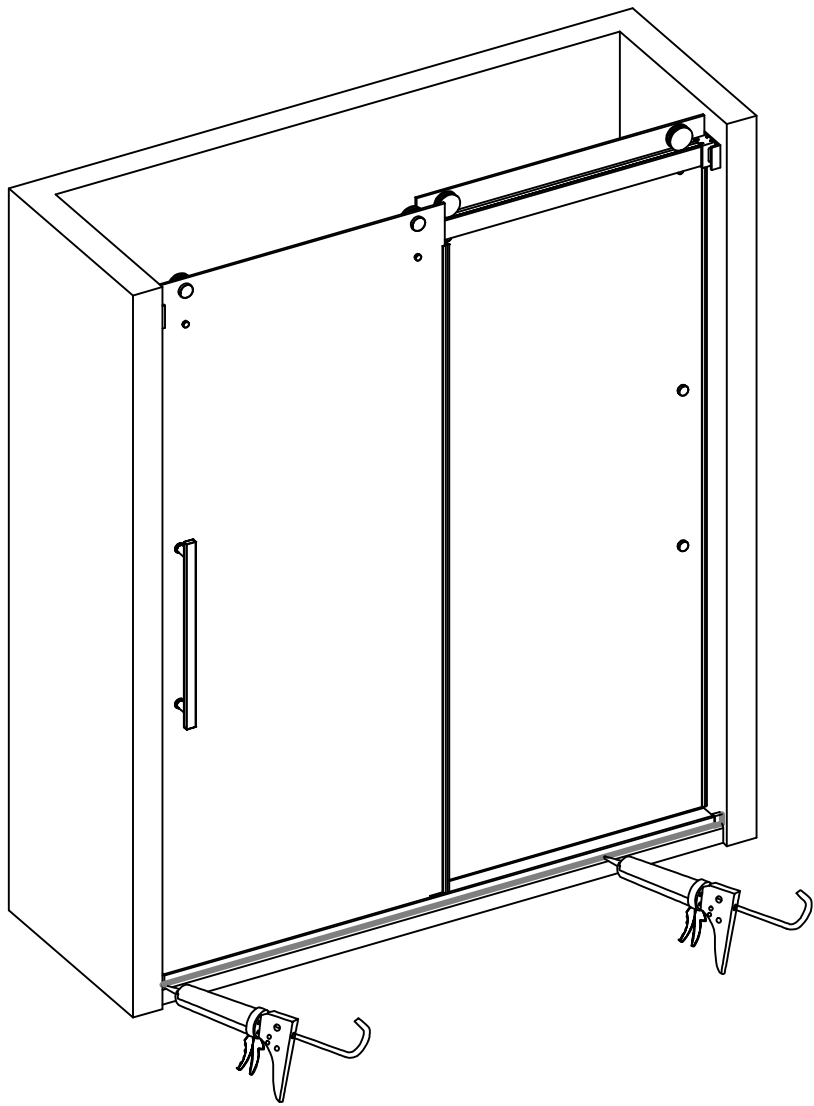
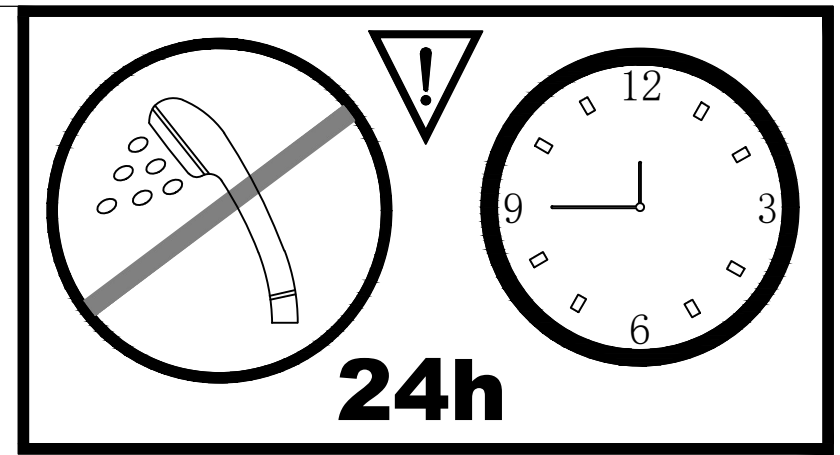
2. Maintain a small gap between the anti-jump block and the top rail.


3. Align the bumper strip flush with the bottom edge of the glass.

# STEP 9 Install the Handle



## STEP 10 Allow Sealant to Cure



 **Warning:** Apply silicone sealant to the seams between the stationary glass and the shower base/bathtub, as well as between the glass and the wall. Before application, ensure the bottom rail is perfectly straight. After application, allow the sealant to cure fully for at least 24 hours before using the shower enclosure.