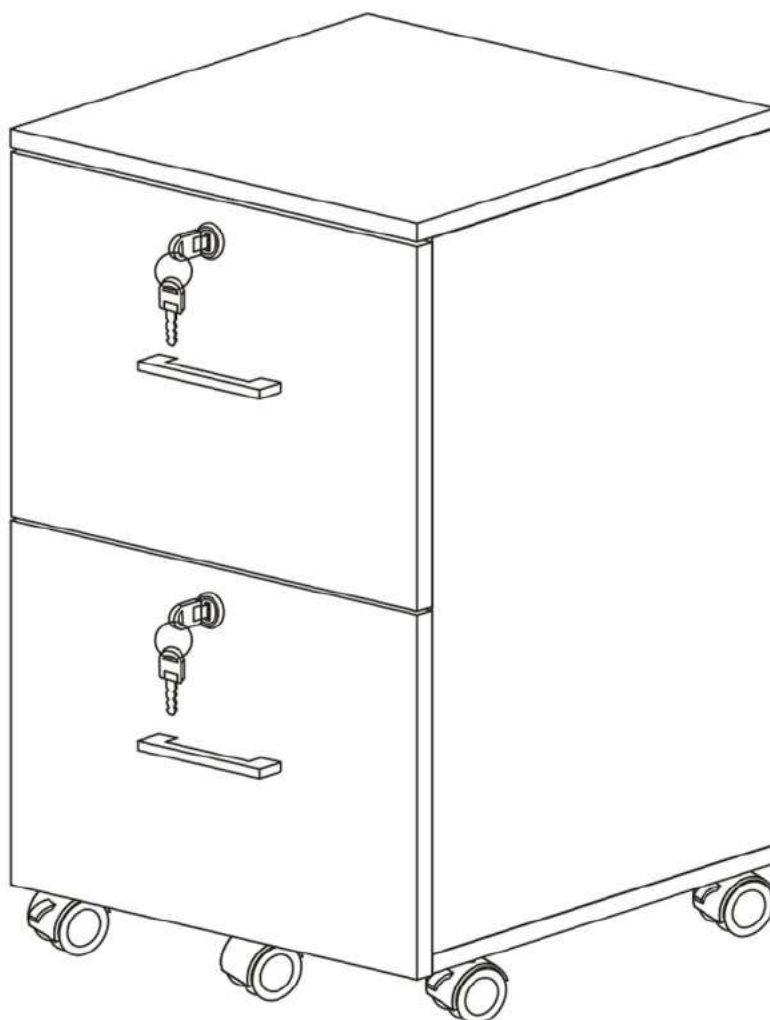


---

# CABINET

ASSEMBLY INSTRUCTION



Thank you for purchasing  
Please contact us via email if parts are missing or damaged, we will  
gladly ship your replacement parts free of charge

**⚠ IMPORTANT**

THIS INSTRUCTION BOOKLET CONTAINS IMPORTANT SAFETY INFORMATION.  
PLEASE READ AND KEEP FOR FUTURE REFERENCE.

# RETURN & WARRANTY

## Thank you for choosing our product!

We would like to take this opportunity to thank you for choosing

We hope that you are completely satisfied with your purchase, and enjoy it for years to come.

**Your satisfaction is our highest pursuit.**

## Return Policy

believes you will absolutely love your file cabinet, but if for some reason you want to return the product, please contact us directly before you decide to return your product to the retailer. Our Customer Service organization can answer most concerns and can assist you with any questions you may have about your new product.

The item must be returned in good condition, in original box, with all original proof of purchase, parts and accessories, within the time frame specified by the retailer it was purchased from.

## Warranty

warrants this product to be free from defects in material and workmanship agrees to remedy any such defect. This warranty covers one year from the date of original purchase. This is solely limited to be repair or replacement of defective parts and no assembly labor is included.

This warranty does not apply to any product which has been improperly assembled, subjected to misuse or abuse or which has been altered or repaired in anyway. Components repaired or replaced warranted through the remainder of the original warranty period only. The defective components will be repaired or replaced without charge, subject to the terms and conditions described above.

For help with assembly, identifying parts, product information or to order parts, please contact us freely.

# BEFORE STARTING

## Before Using Product



- Read each step carefully before starting. It is very important that each step is performed in the correct order. If these steps are not followed in sequence, assembly difficulties will occur.



- Make sure all parts are included. Most board parts are labeled or stamped on the raw edge.

- Have the following tools.



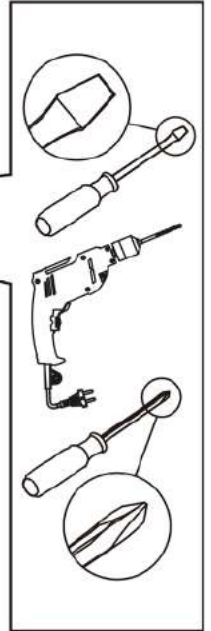
- Recommended # of people needed for assembly: 1 (however it is always better to have an extra hand). Estimated assembly time is 2 hours with an electric screwdriver



- Work in a spacious area and near where the unit will be used, preferably on a carpet, or use a piece of the cardboard packaging to protect your floor and product.



- For a smooth assembly process, we suggest you keep a lite tightness for all the screws during assembly. After the whole product is assembled, firmly tighten all the screws.



## WARNING :

-Do not allow children to climb on unit

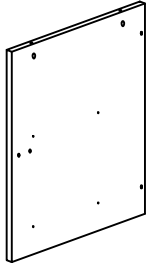
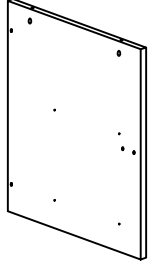
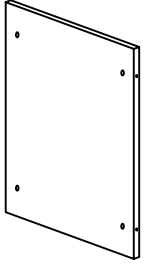
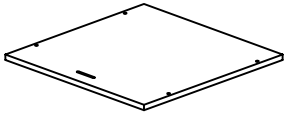
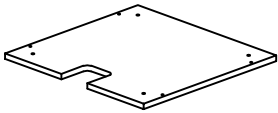
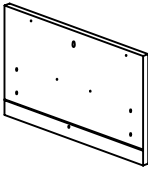
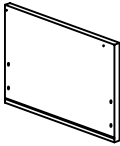
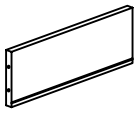

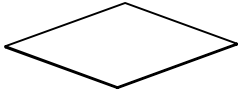
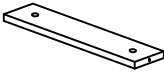

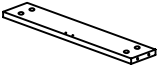
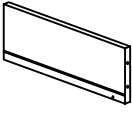
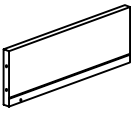
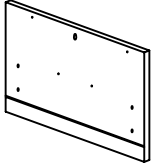
-Serious or fatal crushing injuries can occur from furniture tip-over. To prevent this furniture from tipping over, it must be permanently fixed to the wall. Fixing devices for the wall are not included since different wall materials require different types of fixing devices. Use fixing devices suitable for the walls in your home. For advice on suitable fixing systems, contact your local specialized dealer.

-Avoid sharp objects or corrosive chemicals to prevent damage to the product


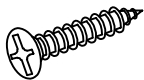



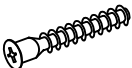
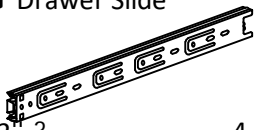
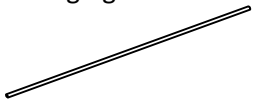
-During assembly, keep parts and packaging materials away from children and pets as there could be potential injury and choking hazards.

# Components of furniture

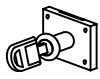
Please check the board number and the hole on the board

|  |   |   |  |
|--|---|---|--|
| <p>1</p>  <p>Left vertical plate<br/>600×383×15mm<br/>1 PC</p>    | <p>2</p>  <p>Right vertical plate<br/>600×383×15mm<br/>1 PC</p>    | <p>3</p>  <p>Back panel<br/>600×370×15mm<br/>1 PC</p>             | <p>4</p>  <p>Top panel<br/>400×400×15mm<br/>1 PC</p>              |
| <p>5</p>  <p>Bottom panel<br/>400×383×15mm<br/>1 PC</p>           | <p>6</p>  <p>Drawer panel<br/>400×305×15mm<br/>1 PC</p>            | <p>7</p>  <p>Drawer back plate<br/>345×280×15mm<br/>2 PCS</p>     | <p>8</p>  <p>Drawer left coaming<br/>330×150×15mm<br/>1 PC</p>    |
| <p>9</p>  <p>Drawer right coaming<br/>330×150×15mm<br/>1 PC</p> | <p>10</p>  <p>Drawer base plate<br/>340×325×5mm<br/>2 PCS</p>    | <p>11</p>  <p>Drawer pull plate<br/>315×70×15mm<br/>1 PC</p>    | <p>12</p>  <p>Pulley locating plate<br/>70×70×15mm<br/>1 PC</p> |
| <p>13</p>  <p>Cabinet pull plate<br/>370×70×15mm<br/>1 PC</p>   | <p>14</p>  <p>Drawer right coaming<br/>330×150×15mm<br/>1 PC</p> | <p>15</p>  <p>Drawer left coaming<br/>330×150×15mm<br/>1 PC</p> | <p>16</p>  <p>Drawer panel<br/>400×305×15mm<br/>1 PC</p>        |

## Hardware accessories

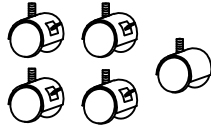
|  |  |   |  |
|--|--|---|--|
| <p><b>A</b> Cam Bolt&amp; Cam Lock</p>  <p>22 PCS</p> | <p><b>B</b> Screw</p>  <p>M3.5x14mm 8 PCS</p> | <p><b>C</b> Screw</p>  <p>M3.5x12mm 33 PCS</p>                | <p><b>D</b> Handle</p>  <p>96mm 2 PCS</p> |
| <p><b>E</b> Screw</p>  <p>M4x20mm 4 PCS</p>           | <p><b>F</b> Screw</p>  <p>M7x40mm 12 PCS</p>  | <p><b>G</b> Drawer Slide</p>  <p>LS12<sup>-</sup>-3 4 PCS</p> | <p><b>H</b> Hanging Rod</p>  <p>4 PCS</p> |

I Lock&Keys



2 PCS

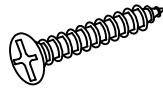
J Caster x5



2''

1 PC M3.5x25mm

K Screw



4 PCS

L Wood Dowel



8

1 PC

M Lock Latch

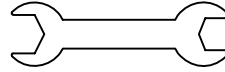
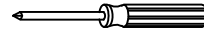


1 PC

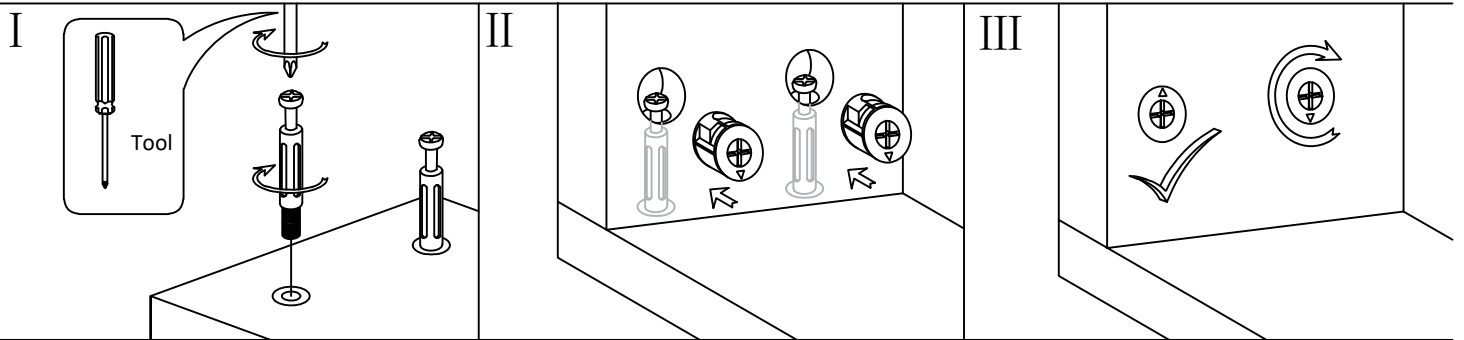
N Caster Gasket



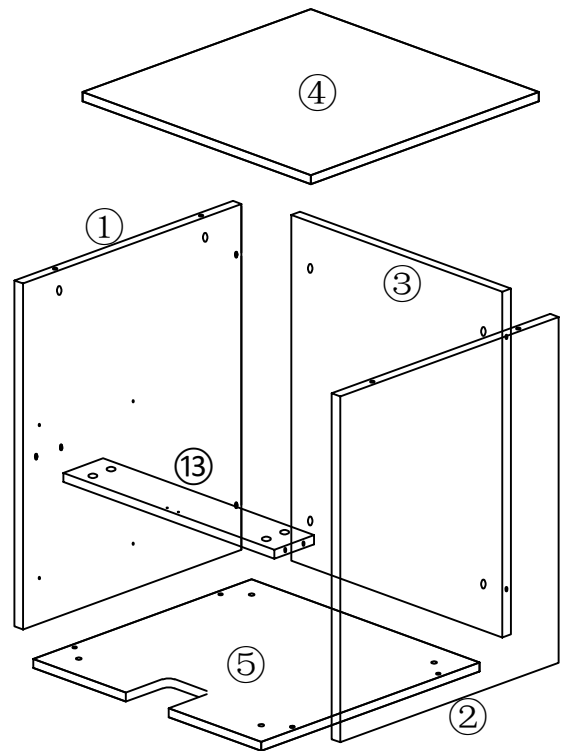
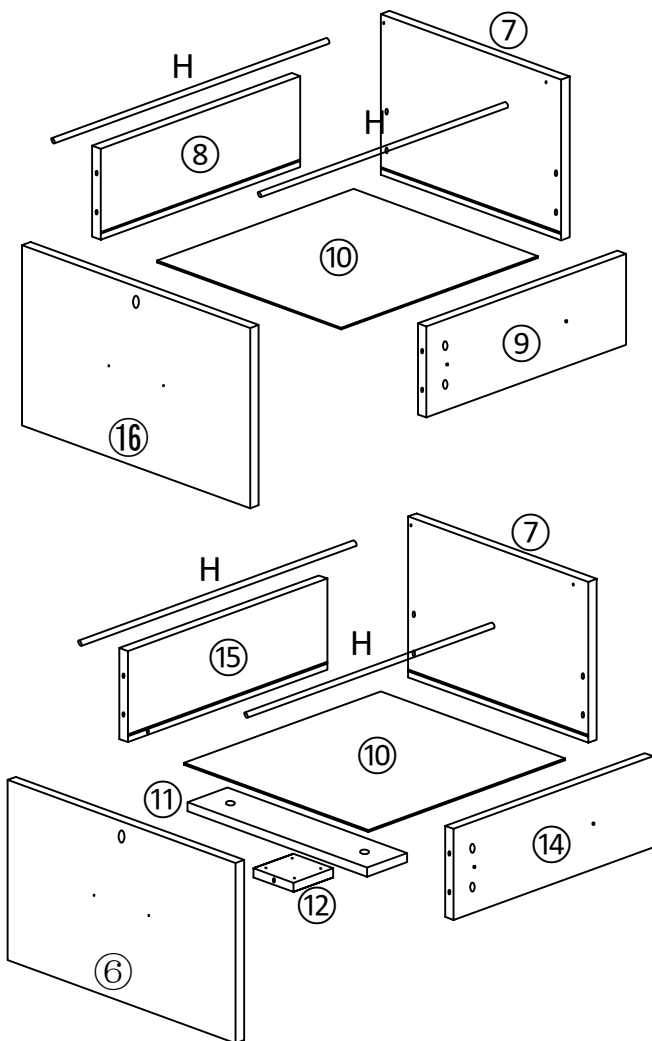
5 PCS



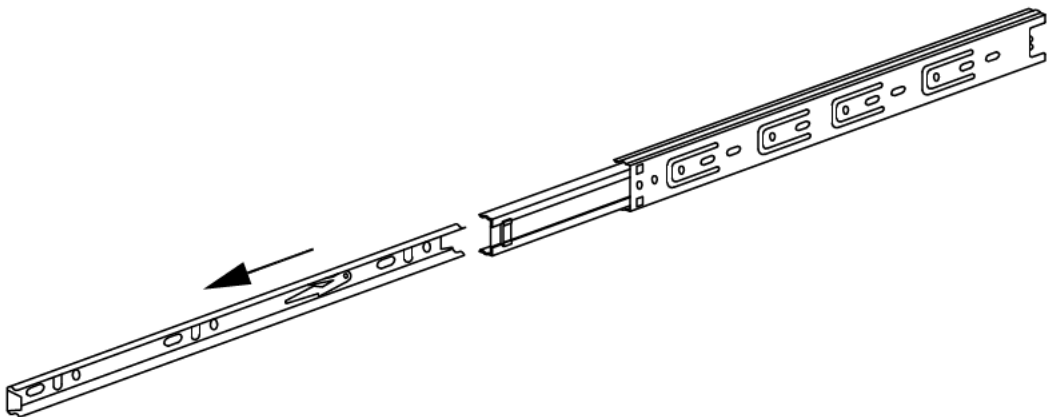
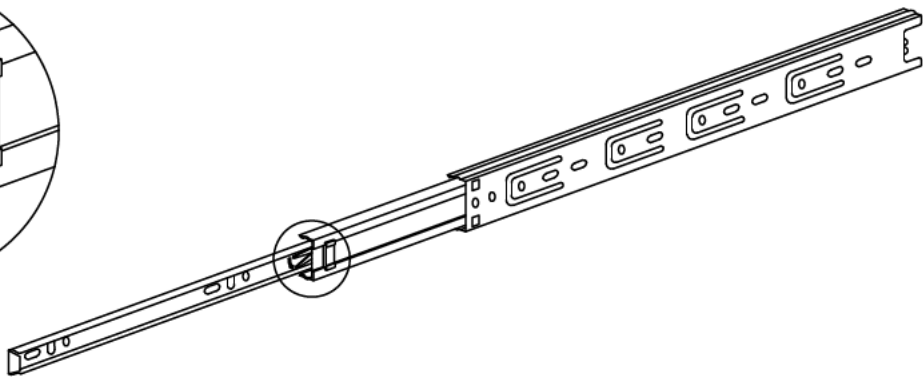
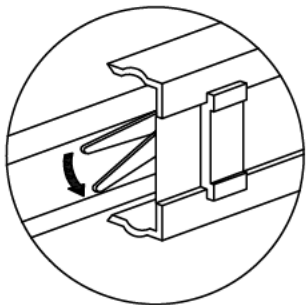
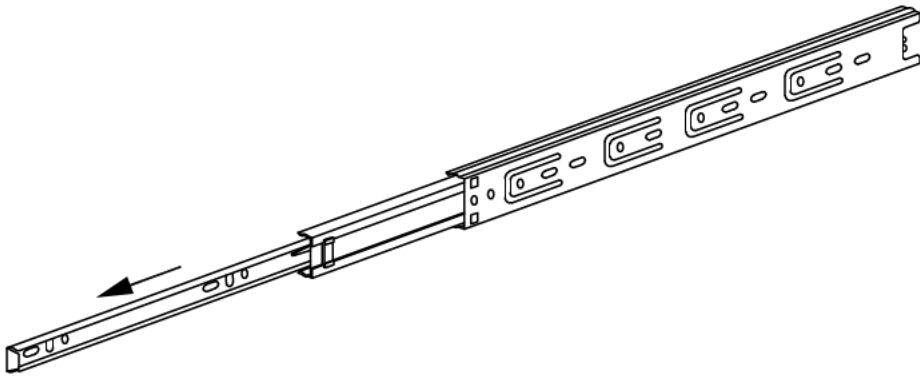
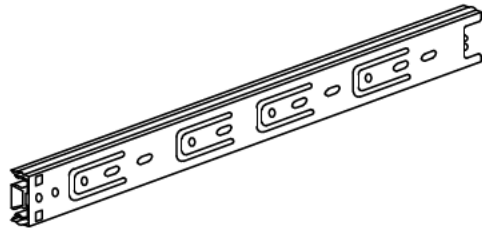
## "A" Hardware installation example



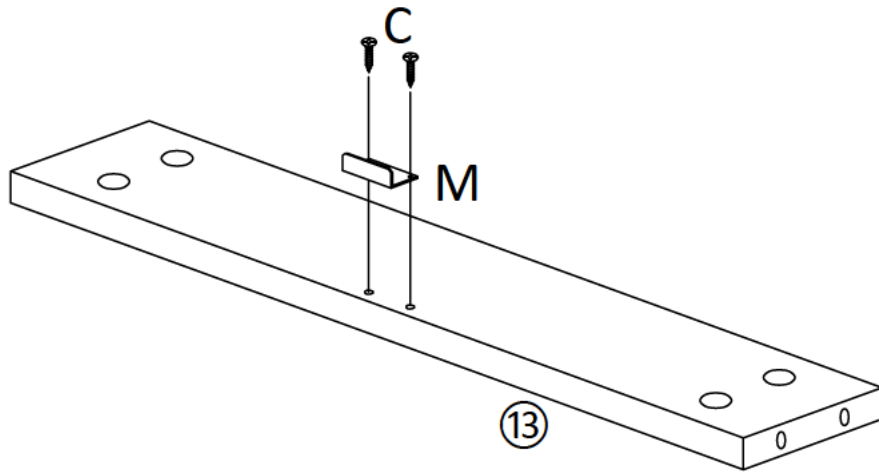
## Start assembling furniture





# "G" Hardware disassembly example

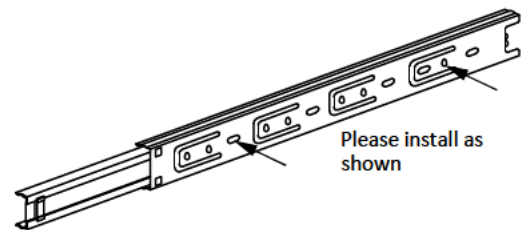
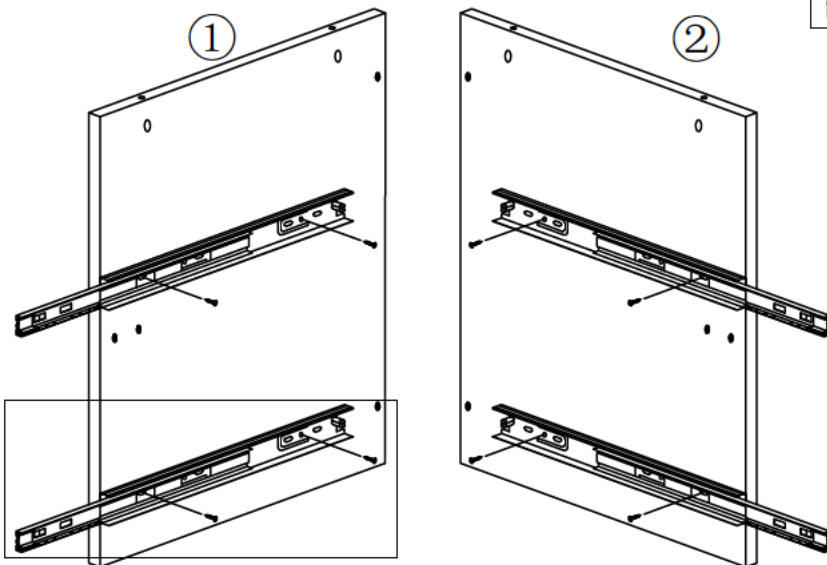
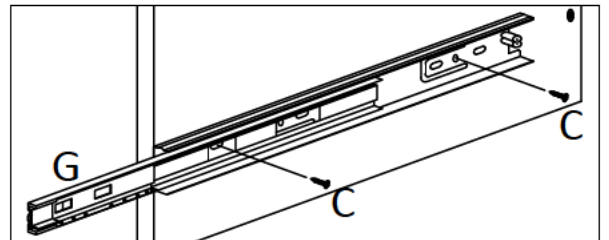


# STEP 1





|   |     |
|---|-----|
|   | Cx2 |
|  | Mx1 |

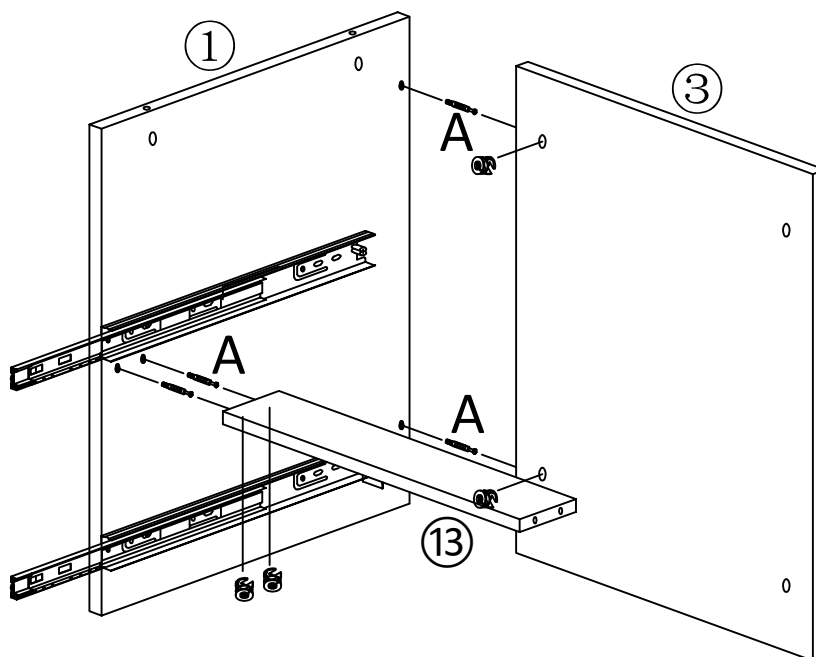
# STEP 2



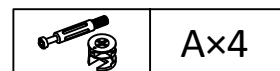
Note! The pre-drilled holes for locating the drawer slides are relatively small, look carefully. Please don't worry, they are there

|   |     |
|---|-----|
|  | Cx8 |
|  | Gx4 |

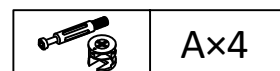
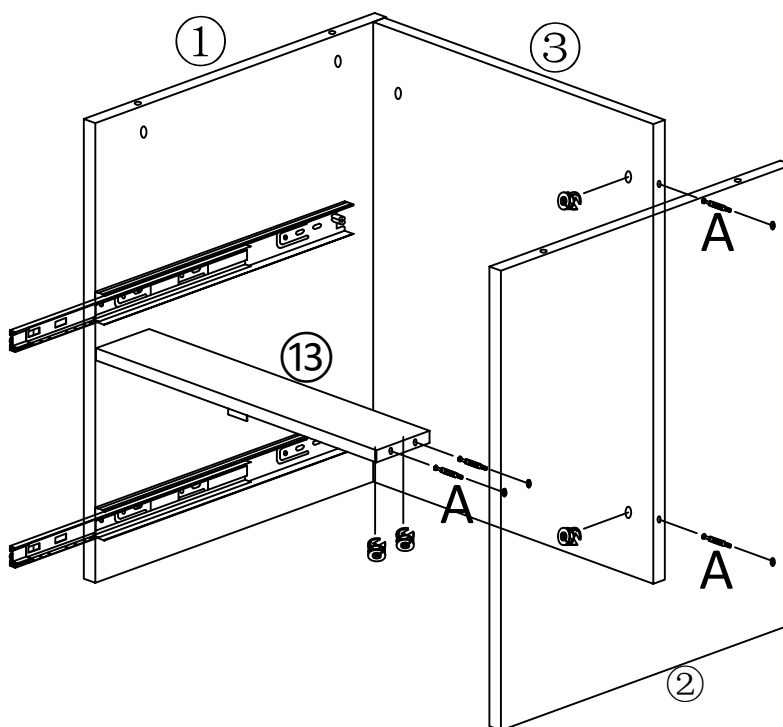
# STEP 3



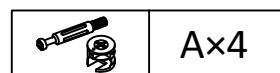
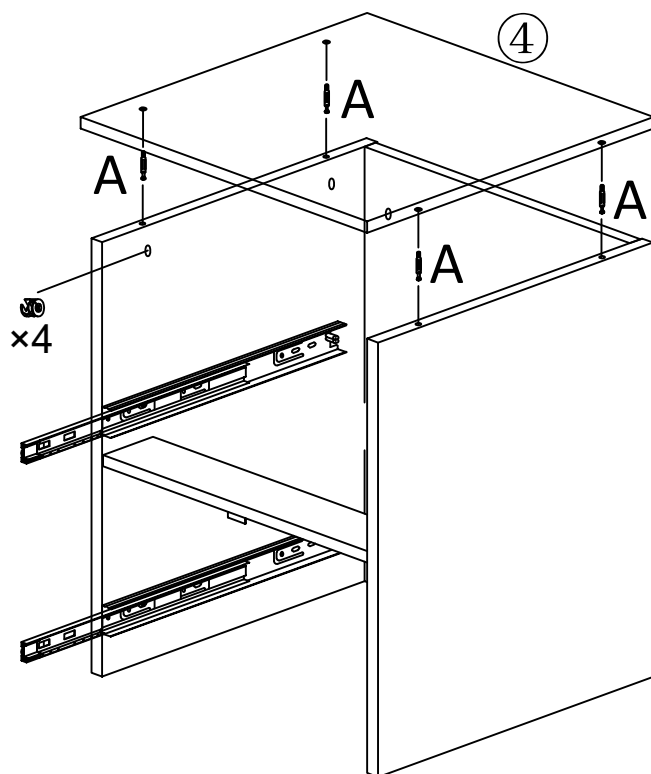
Screw the Cam Bolt first, then the Cam Lock and rotate until it locks



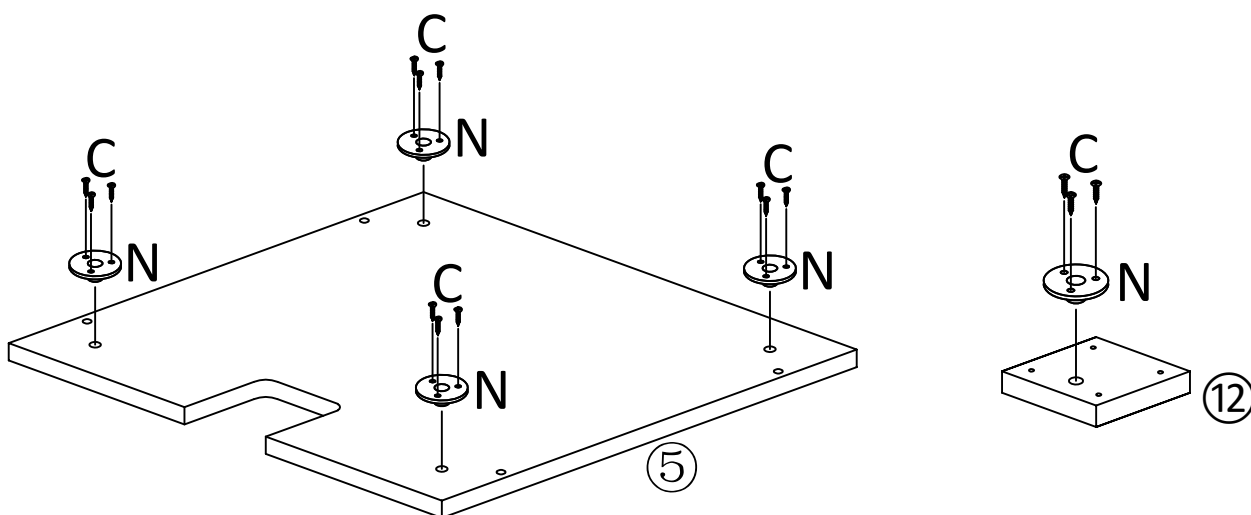
# STEP 4



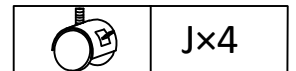
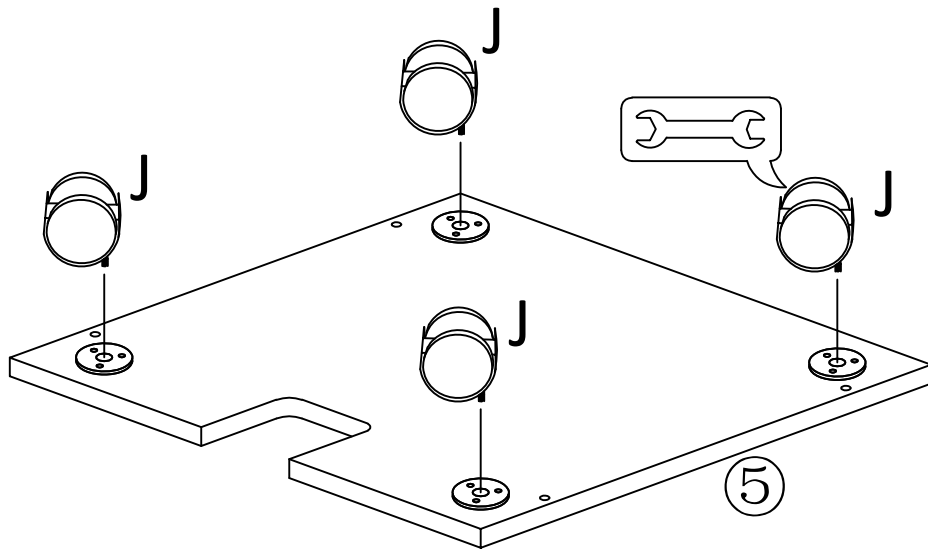
# STEP 5



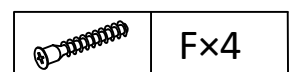
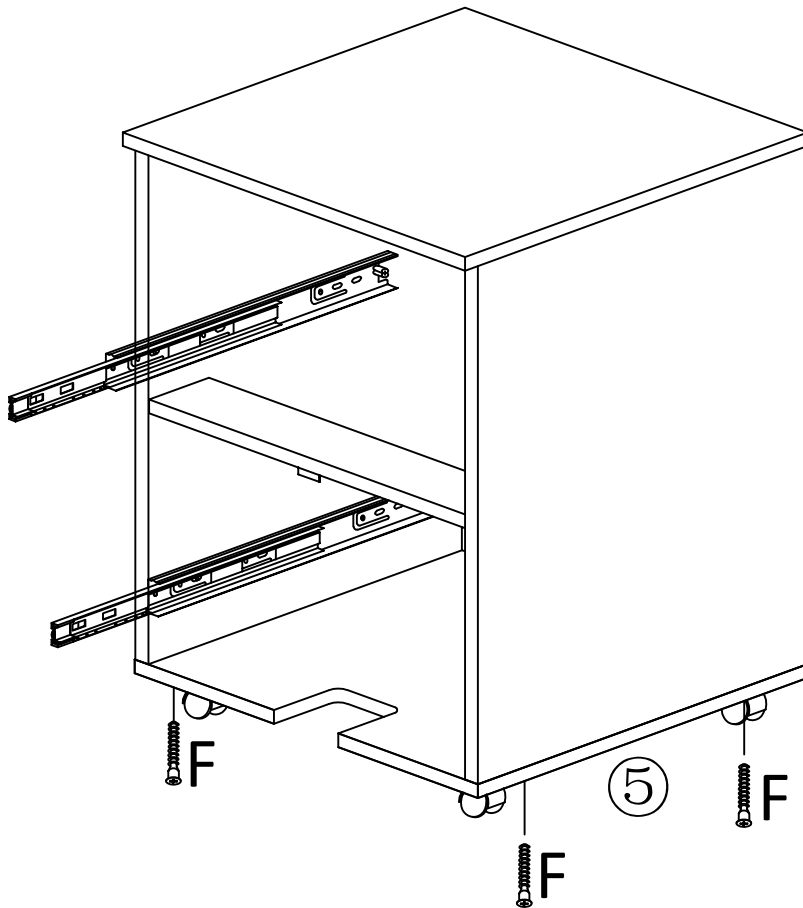
# STEP 6



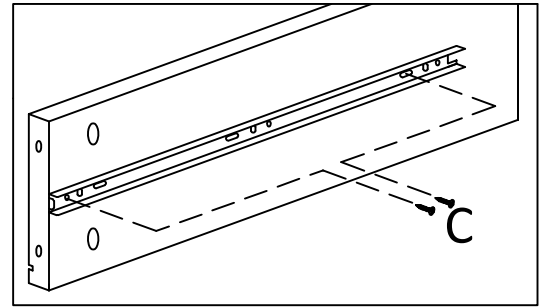
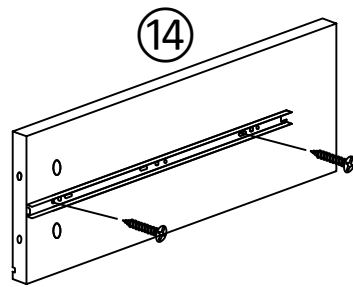
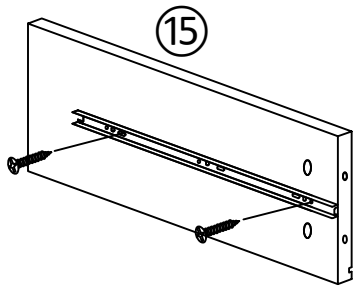
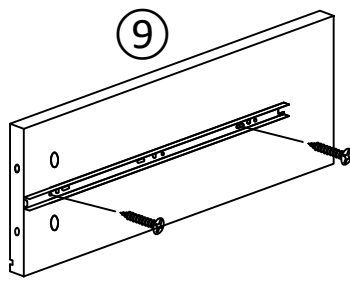
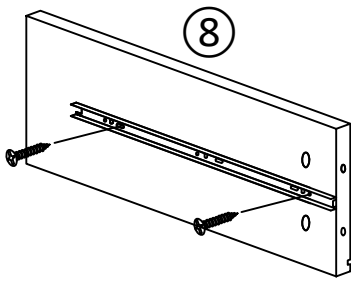
# STEP 7



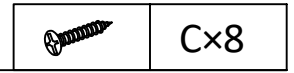
# STEP 8



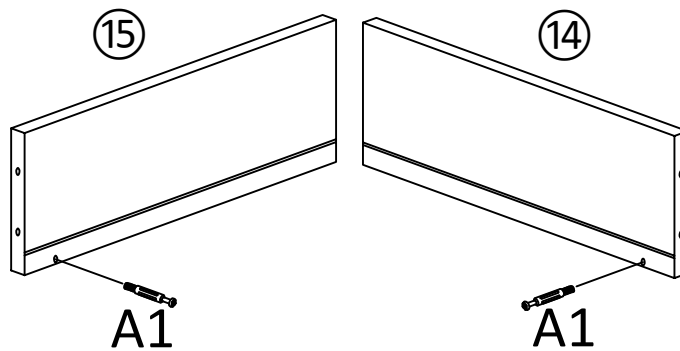
# STEP 9



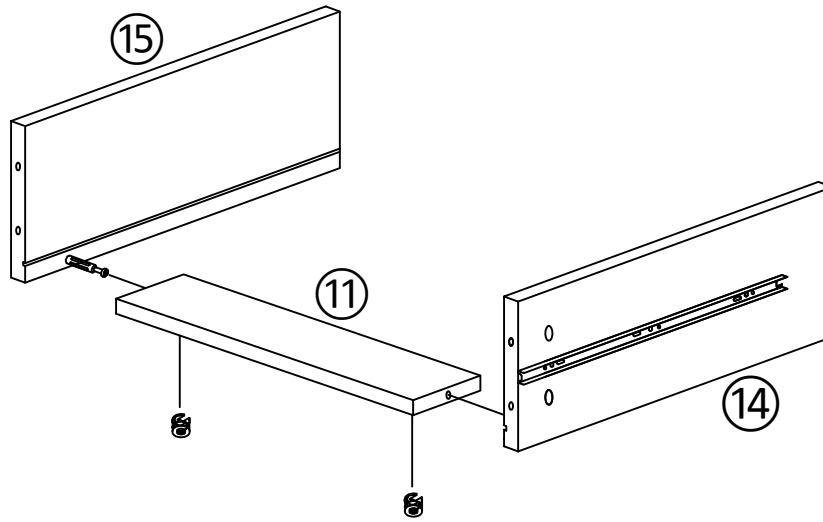
Please install as shown




# STEP 10

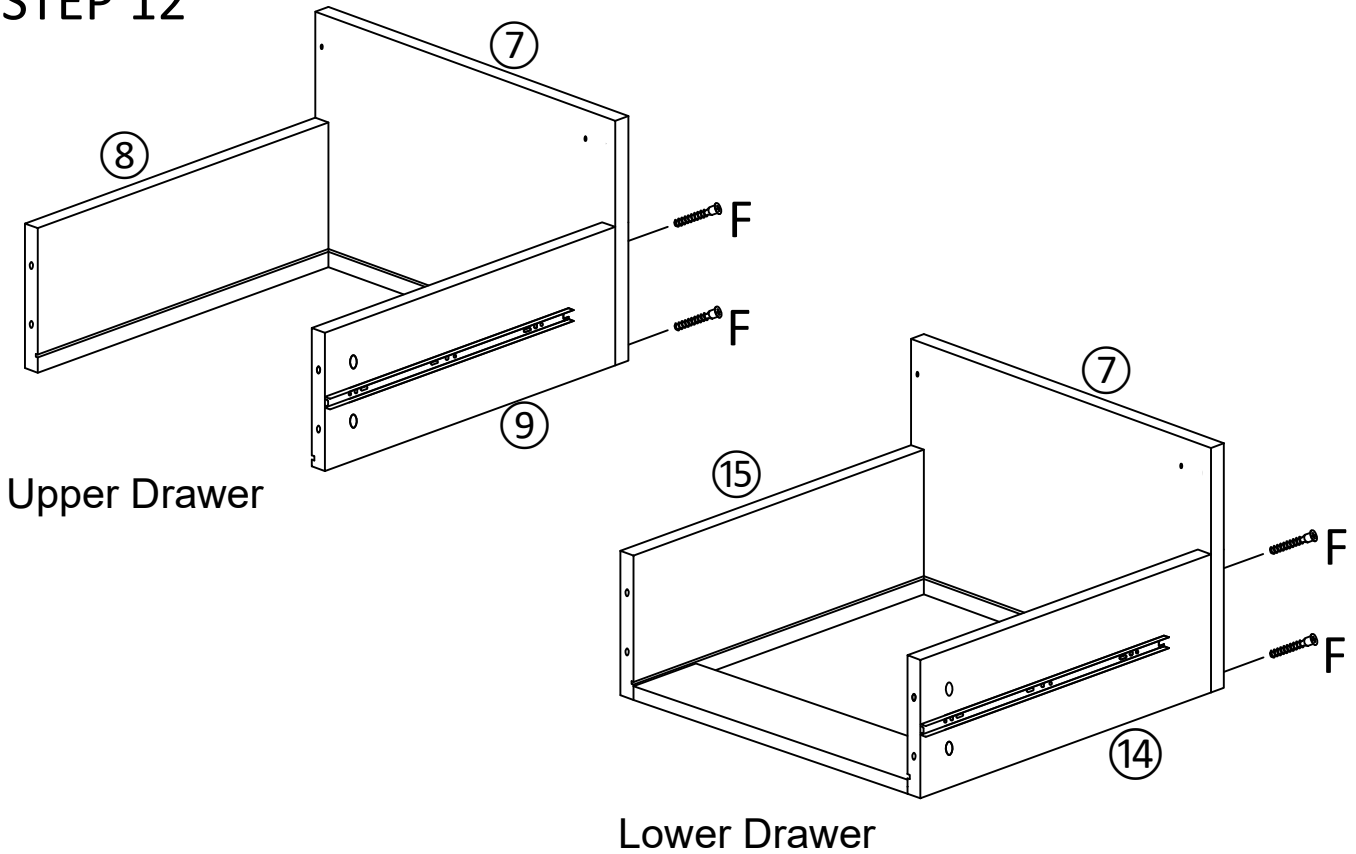


# STEP 11




|   |      |
|---|------|
|  | A2x2 |
|---|------|

# STEP 12



Upper Drawer

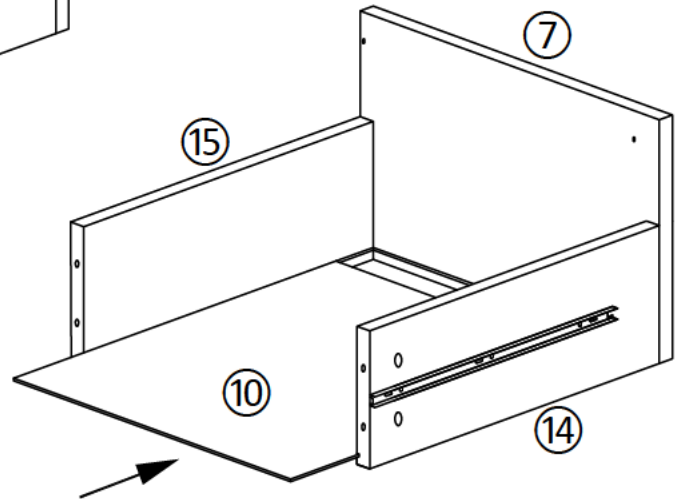
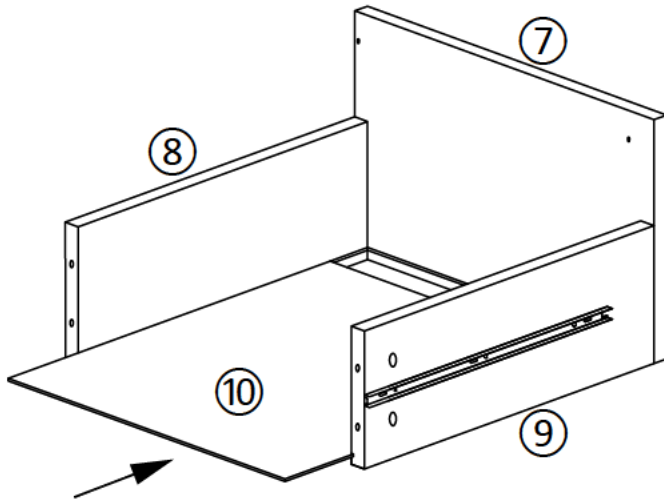
Lower Drawer

|   |     |
|---|-----|
|  | Fx8 |
|---|-----|

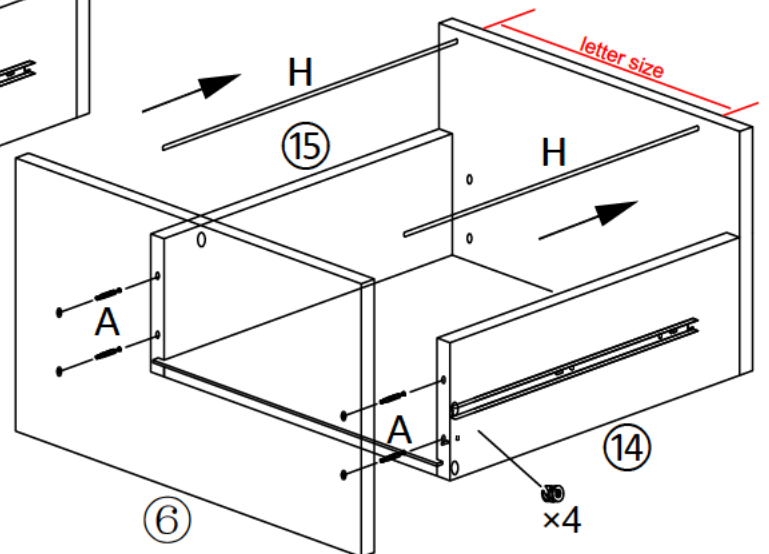
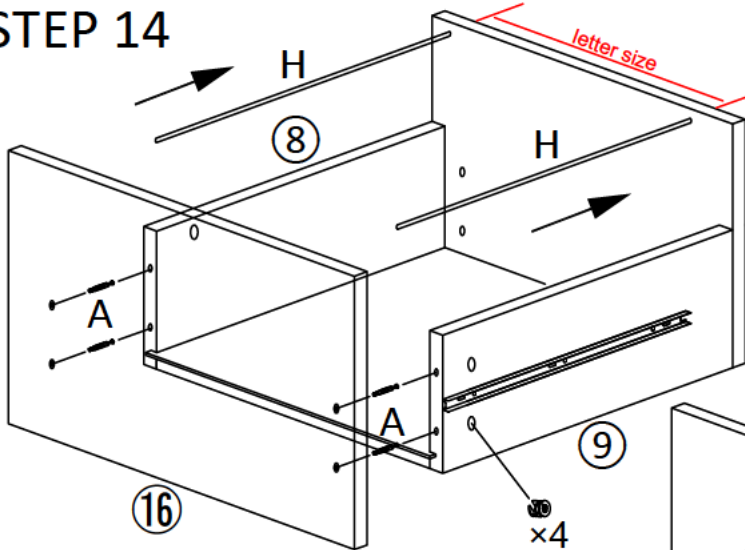
# STEP 13

## Upper Drawer



## Lower Drawer



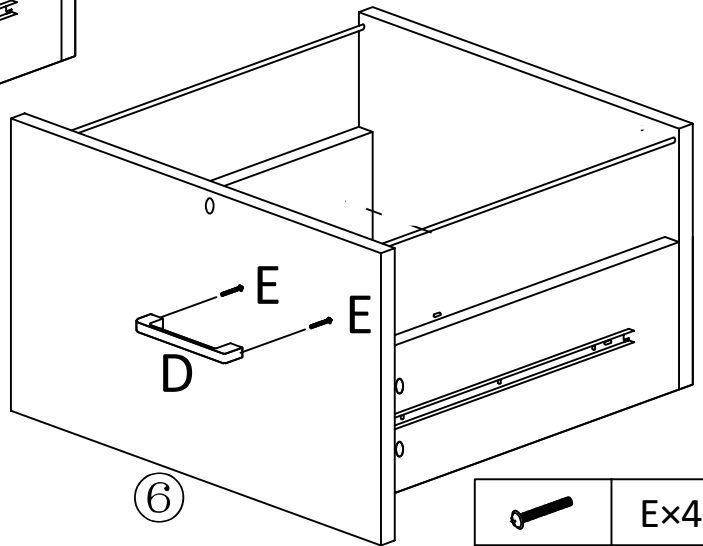
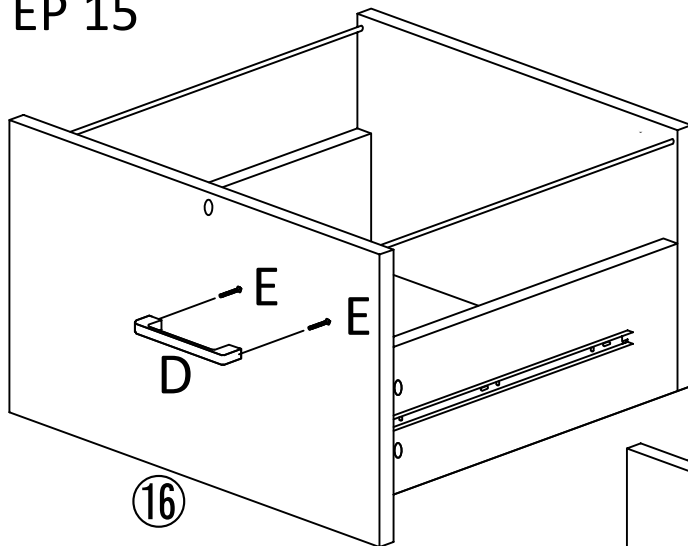
# STEP 14





Tips: Choose the holes and insert the Hanging Rods before connecting the drawer front panels

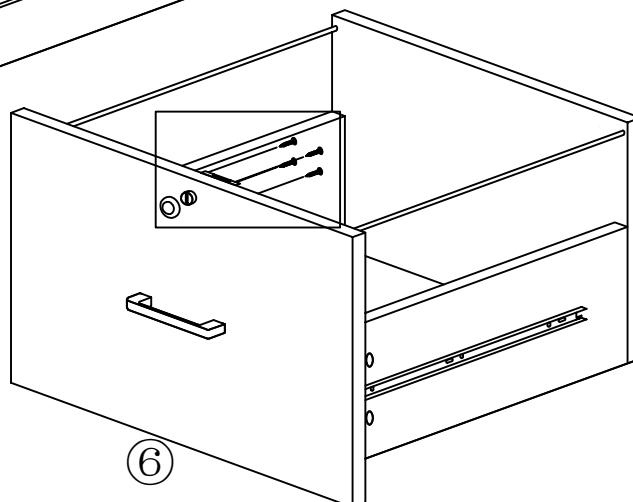
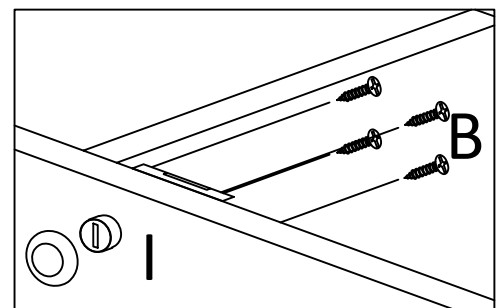
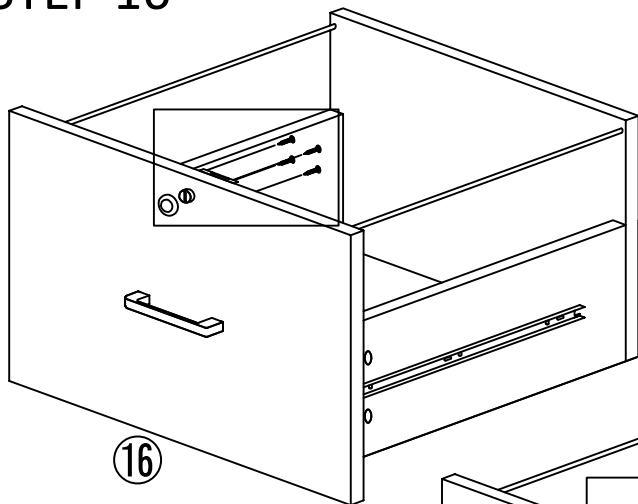
|   |     |
|---|-----|
|  | Hx4 |
|  | Ax8 |



# STEP 15



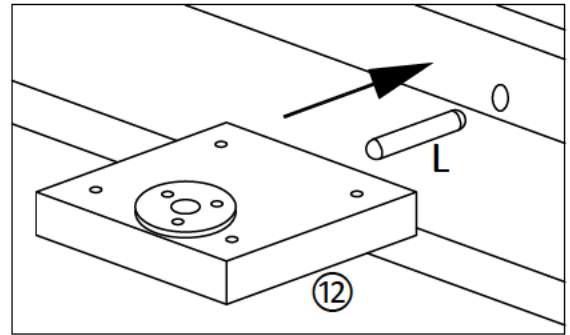
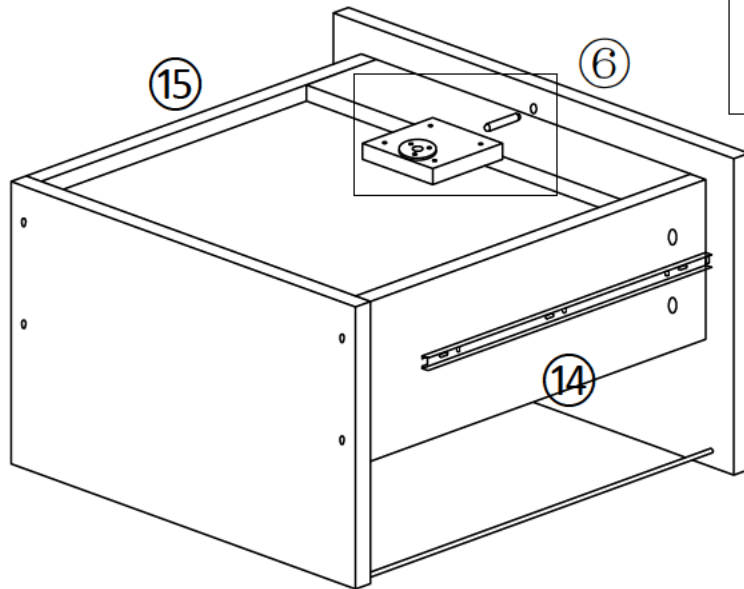
|   |     |
|---|-----|
|  | E×4 |
|  | D×2 |


# STEP 16



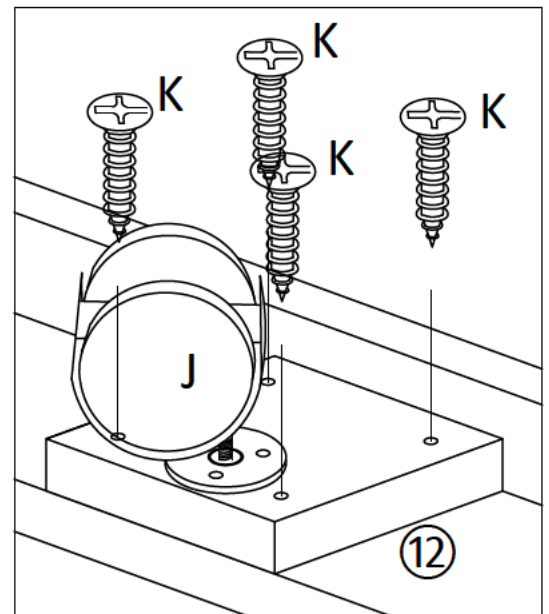
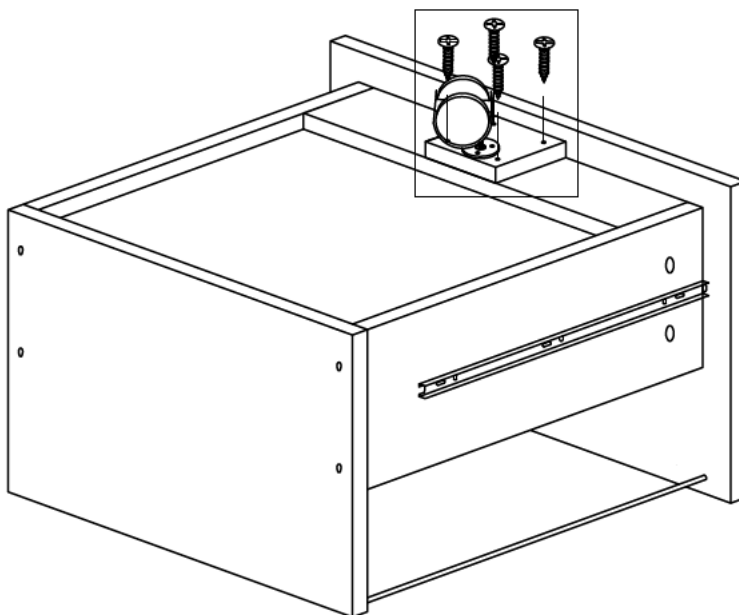
|   |     |
|---|-----|
|  | B×8 |
|  | I×2 |



# STEP 17



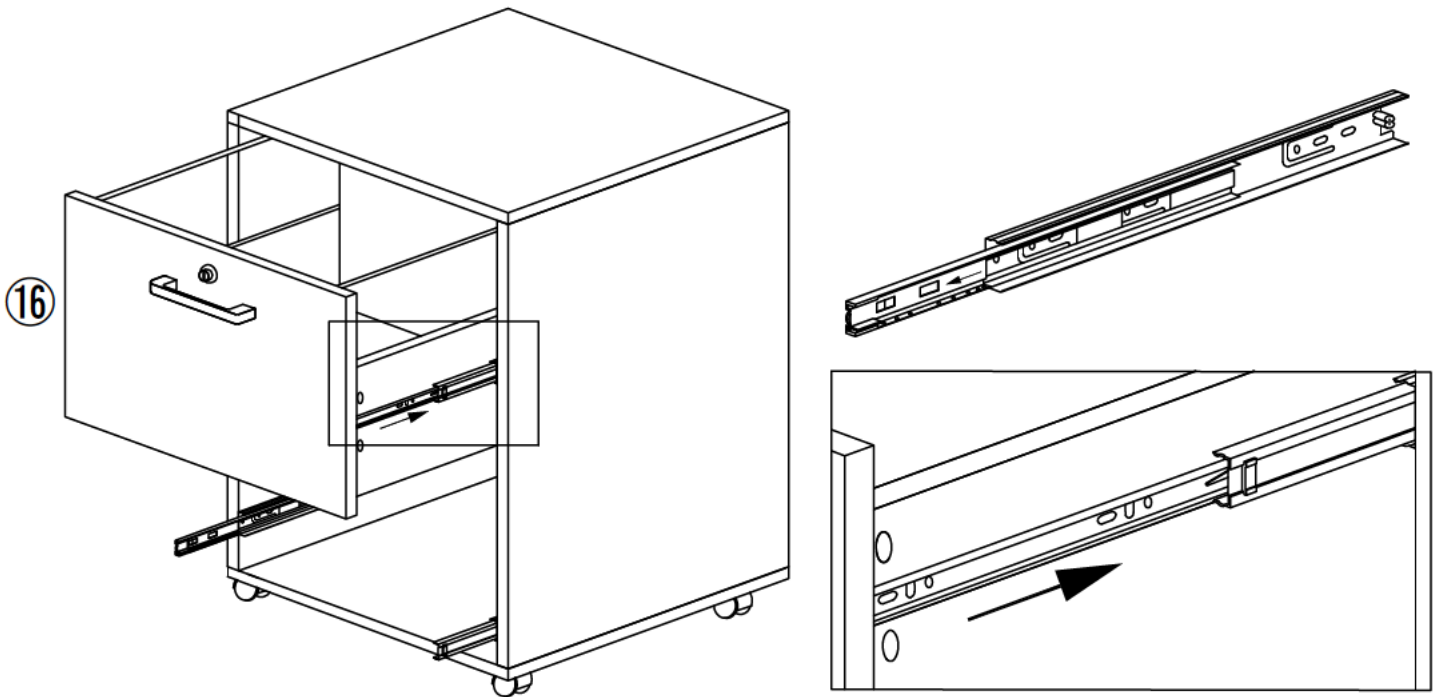
|   |     |
|---|-----|
|  | Lx1 |
|---|-----|

# STEP 18



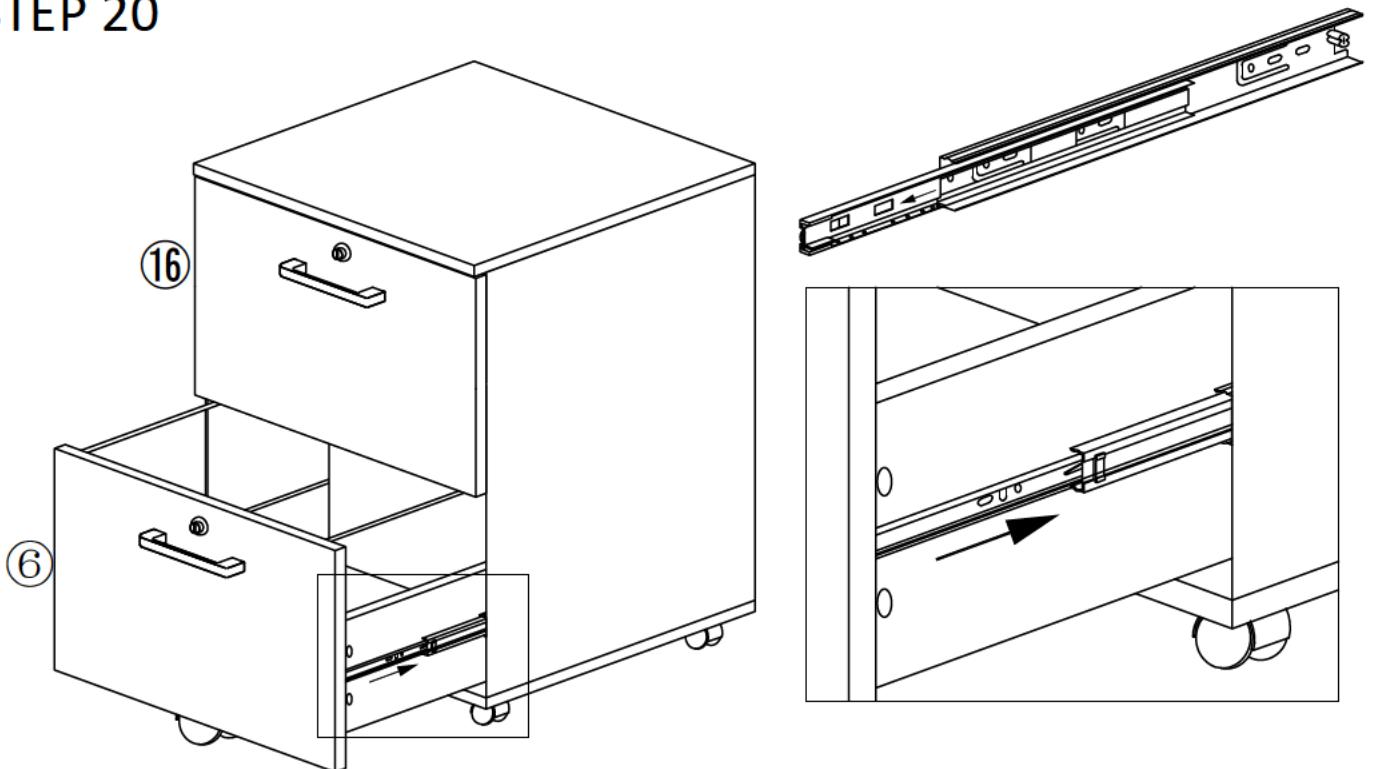
|   |     |
|---|-----|
|  | Jx1 |
|  | Kx4 |

## STEP 19



Pull out the sliding part of the drawer slide first, and the balls along with it to the front.  
Keep the drawer level and insert the drawer with the slides aligned  
Note! Failure to level may result in damage to the slides

## STEP 20



Pull out the sliding part of the drawer slide first, and the balls along with it to the front.  
Keep the drawer level and insert the drawer with the slides aligned  
Note! Failure to level may result in damage to the slides

# FAQs

## 1. What should I do when I received a defected item?

Please feel free to contact our customer service via the link where you purchased this item with your order ID, pictures of the defective areas to us. We are eager to help you to make it right.

---

## 2. Is it easy to put the screws to the panels?

Yes. As long as you follow the instruction and use the correct screws and put it in correct holes, it is easy to screw it into pre-drilled holes.

---

## 3. What should I do if I have a problem with the drawers not closing flush?

The problem with the drawers not closing flush is usually caused by the assembly of the drawer slides. Here are the solutions as below:

1) Please check whether the slide rail is damaged, for example, the ball of the slide rail has fallen out, if so, please ask us for replacements of the drawer slides;

2) Refer to the assembly manual to check if the holes for the slide rail are assembled correctly. If there is no problem with the assembly, but the slide rail is stuck in the process of pushing in, please release the entire drawer as you did the first time you removed the drawer slides, and then push it back in again.

Any query, please contact us directly.

# Supplementary Instructions for Safe Use

## ⚠ WARNING



Children have died from furniture tipover. To reduce the risk of furniture tipover:

- ALWAYS install tipover restraint provided.
- NEVER put a TV on this product.
- NEVER allow children to stand, climb or hang on drawers, doors, or shelves.
- NEVER open more than one drawer at a time.
- Place heaviest items in the lowest drawers.
- Do not defeat or remove the drawer interlock system.

This is a permanent label.

Do not remove!

## ⚠ ATTENTION



Des enfants sont morts du basculement des meubles. Pour réduire le risque de basculement des meubles:

- TOUJOURS installer la retenue de basculement fournie.
- NE JAMAIS mettre de téléviseur sur ce produit.
- NE JAMAIS permettre aux enfants de se tenir debout, de grimper ou de s'accrocher à des tiroirs, des portes ou des étagères.
- N'ouvrez JAMAIS plus d'un tiroir à la fois.
- Placez les objets les plus lourds dans les tiroirs les plus bas.
- Ne désactivez pas et ne retirez pas le système de verrouillage du tiroir.

Ceci est une étiquette permanente.

Ne pas enlever!

## ⚠ WARNUNG



Kinder sind an einem Möbelkippen gestorben. So verringern Sie das Risiko eines Umkippens von Möbeln:

- Installieren Sie IMMER die mitgelieferte Kipprückhaltevorrichtung.
- Stellen Sie NIEMALS einen Fernseher an dieses Produkt.
- Lassen Sie Kinder NIEMALS an Schubladen, Türen oder Regalen stehen klettern oder hängen.
- Öffnen Sie NIEMALS mehr als eine Schublade gleichzeitig.
- Legen Sie schwerste Gegenstände in die untersten Schubladen.
- Besiegen oder entfernen Sie das Schubladenverriegelungssystem nicht.

Dies ist ein dauerhaftes Etikett.

Nicht entfernen!