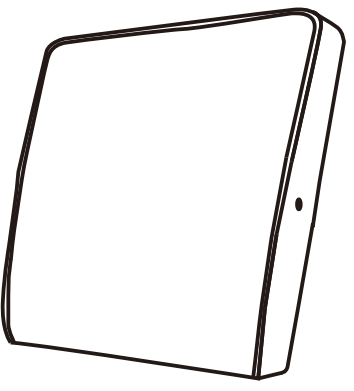
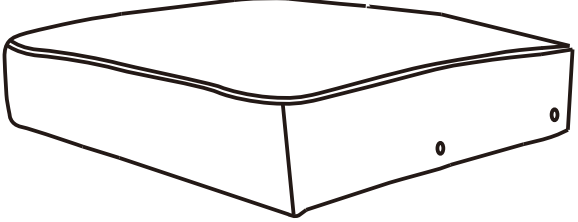
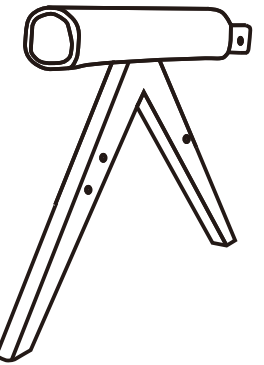
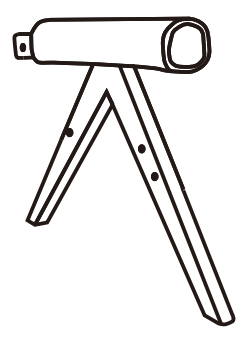
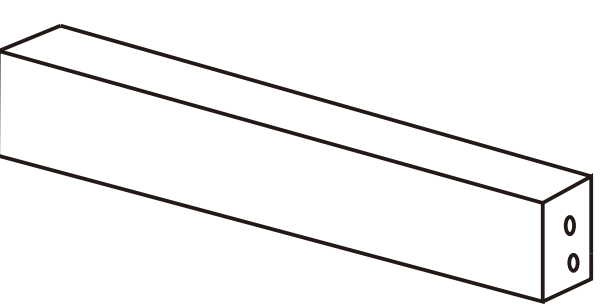
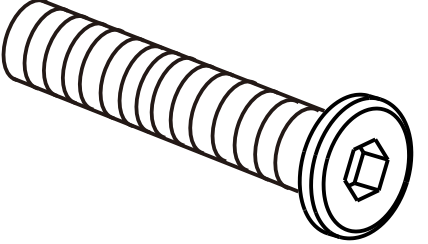
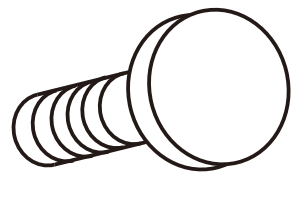
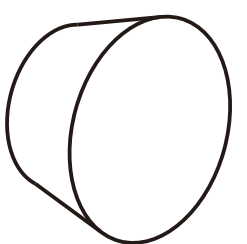
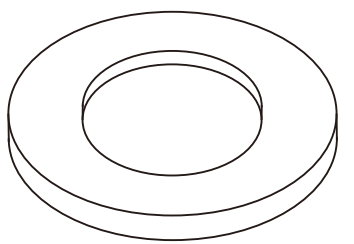
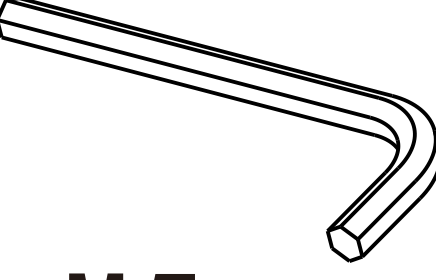
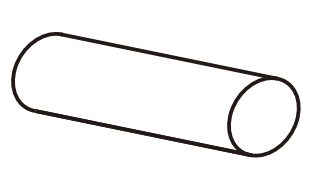
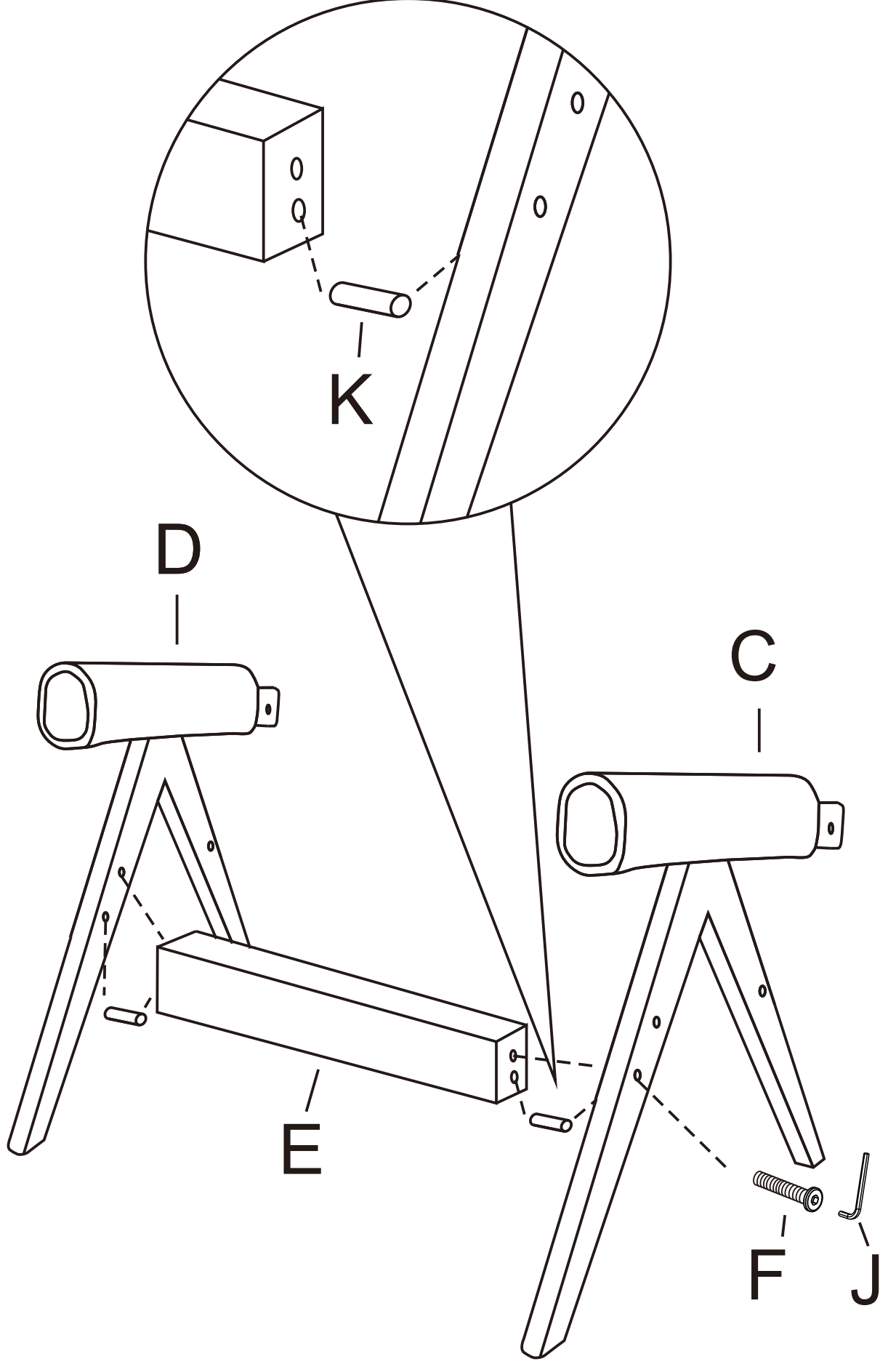


ASSEMBLY INSTRUCTIONS

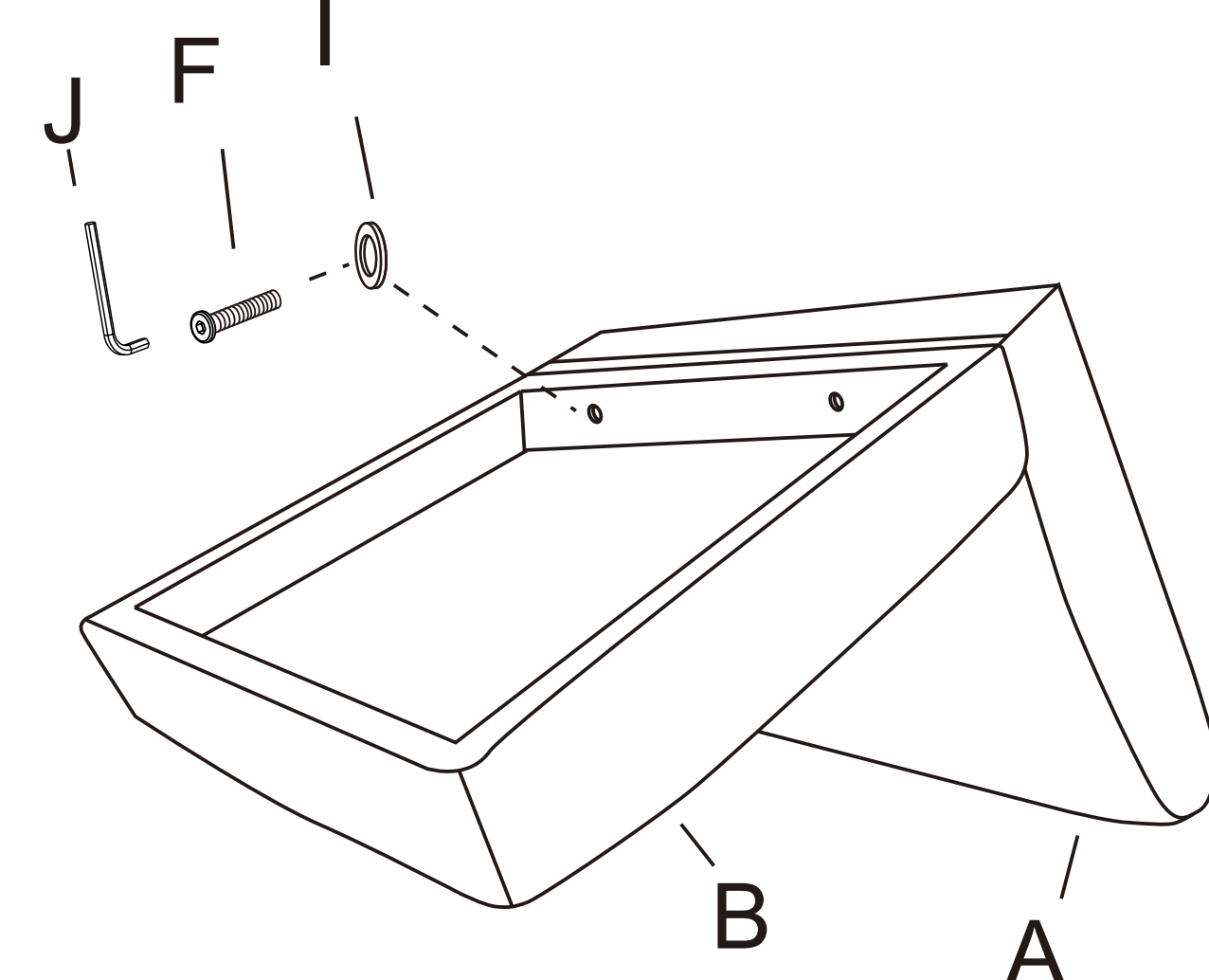
A		1PCS
B		1PCS
C		1PCS
D		1PCS
E		1PCS
F	 M8*60	10PCS
G	 M6	4PCS
H		8PCS
I	 8*22	2PCS
J	 M5	1PCS
K	 10*30	2PCS

Step1
C X 1
D X 1
E X 1
F X 2
J X 1
K X 2



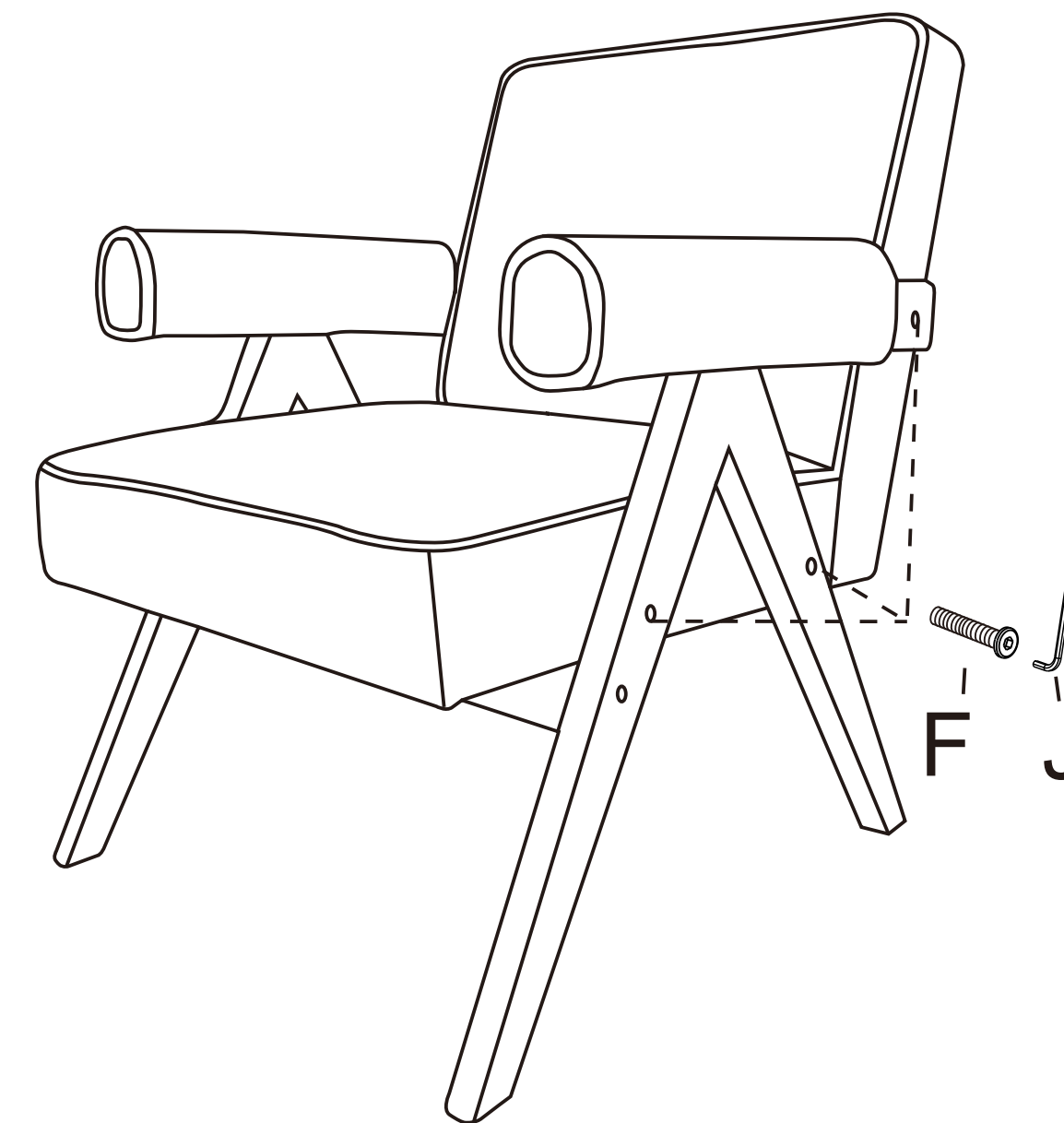
(screw tightened 80%)

Step2
A X 1
B X 1
F X 2
I X 2
J X 1



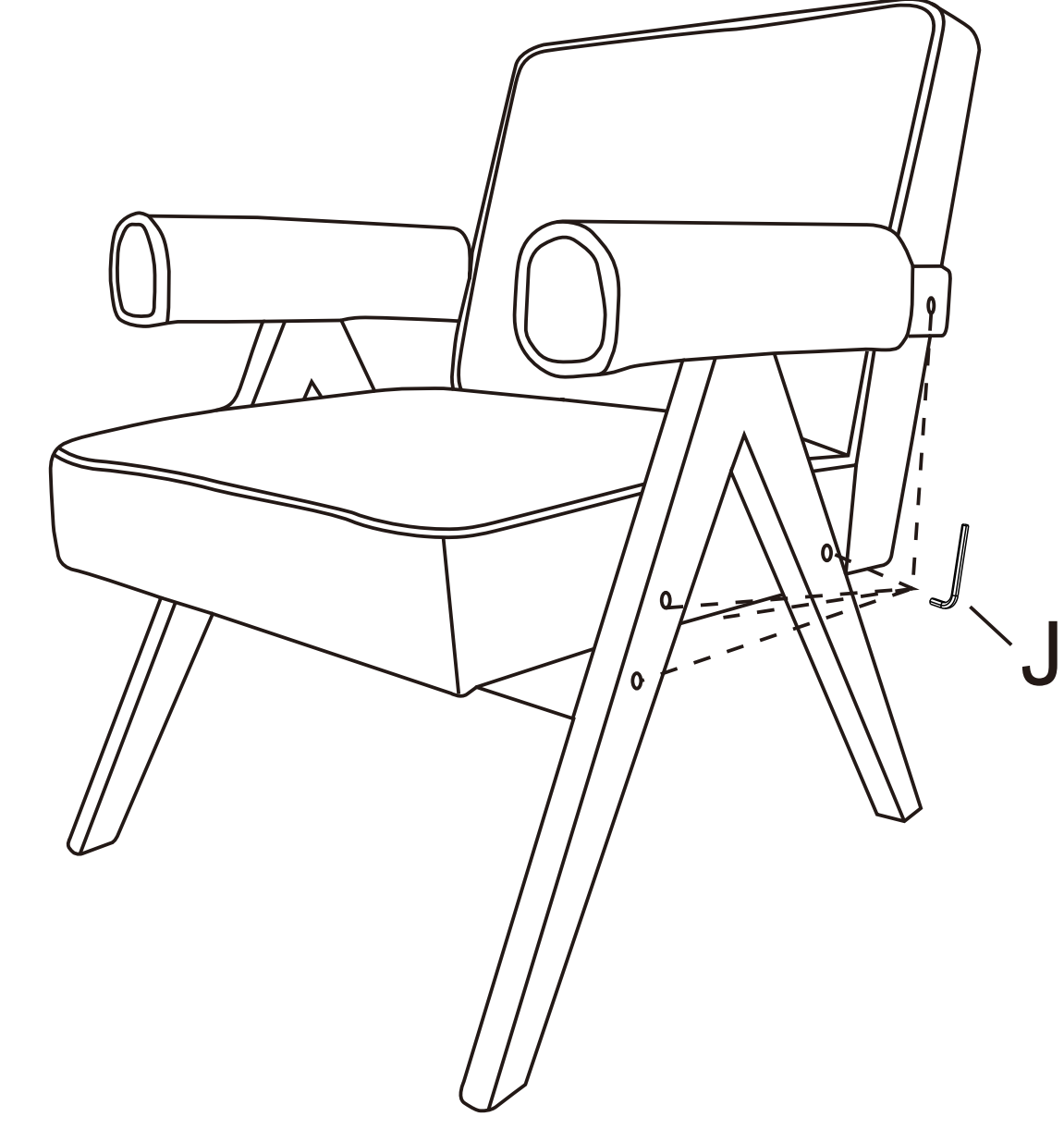
(screw tightened 80%)

Step3
F X 6
J X 1



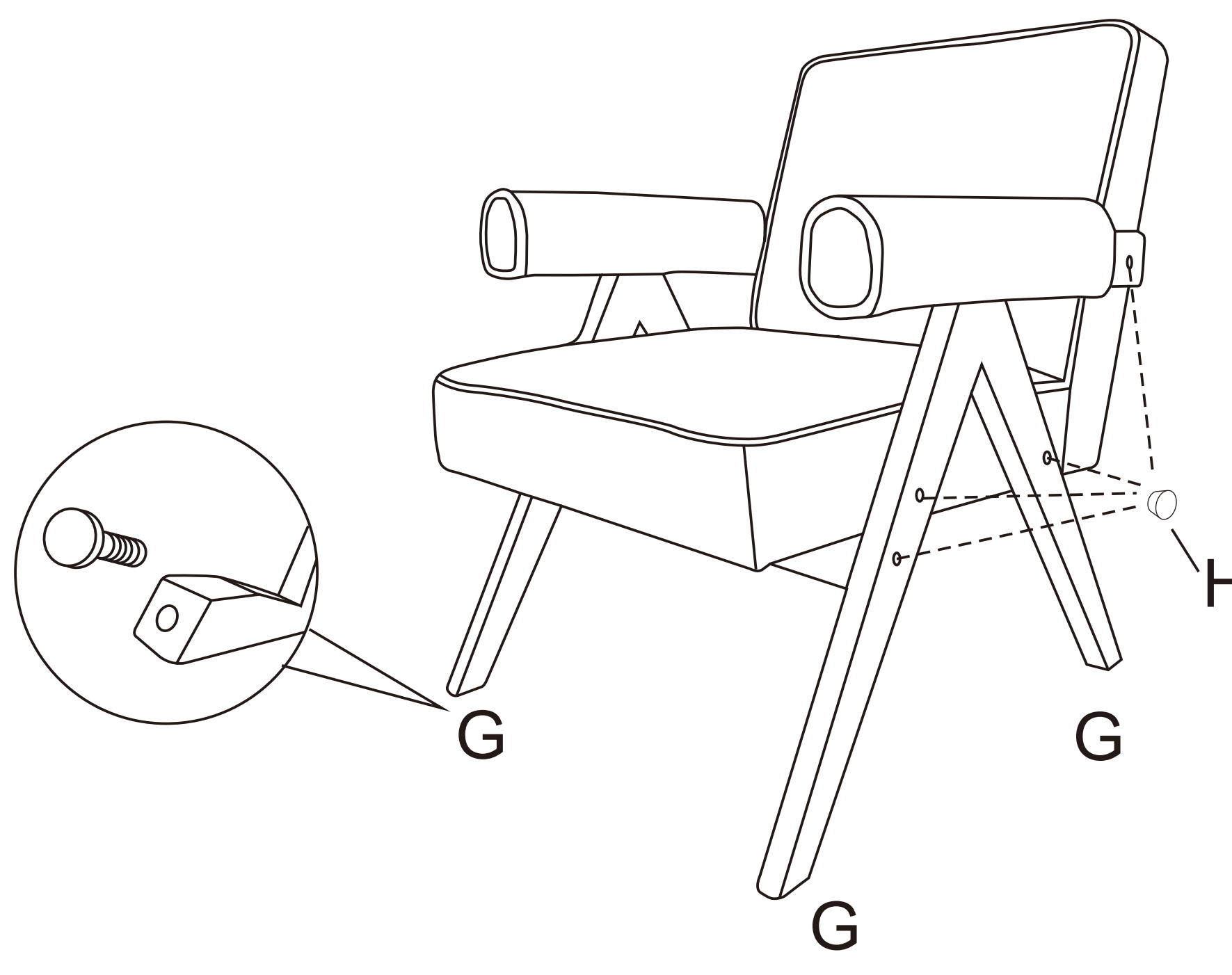
(screw tightened 80%)

Step4
J X 1



(screw tightened 100%)

Step5
G X 4
H X 8



Step6



(Enjoy your new Accent Chair)

**WARNING: *DO NOT STAND ON THE CHAIR *THIS CHAIR IS DESIGNED TO SEAT ONE PERSON ONLY *DO NOT USE THE CHAIR UNLESS ALL THE BOLTS AND SCREWS ARE FINALLY TIGHTENED
 *AT LEAST EVERY FOUR MONTHS, PLEASE CHECK ALL BOLTS AND SCREWS TO MAKE SURE THEY ARE SECURELY TIGHTENED
 *IF ANY PARTS ARE MISSING, BROKEN, DAMAGED, OR WORN, STOP USING THIS PRODUCT IMMEDIATELY UNTIL REPAIRS ARE MADE
 *FAILURE TO FOLLOW THESE WARNINGS COULD RESULT IN SERIOUS INJURY**