

ASSEMBLY INSTRUCTION

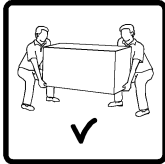
ASSEMBLY TIPS:

- 1.Remove hardware from box and sort by size.
- 2.Please check to see that all hardware and parts are present prior to start of assembly.
- 3.Please follow attached instructions in the same sequence as numbered to assure fast & easy assembly.



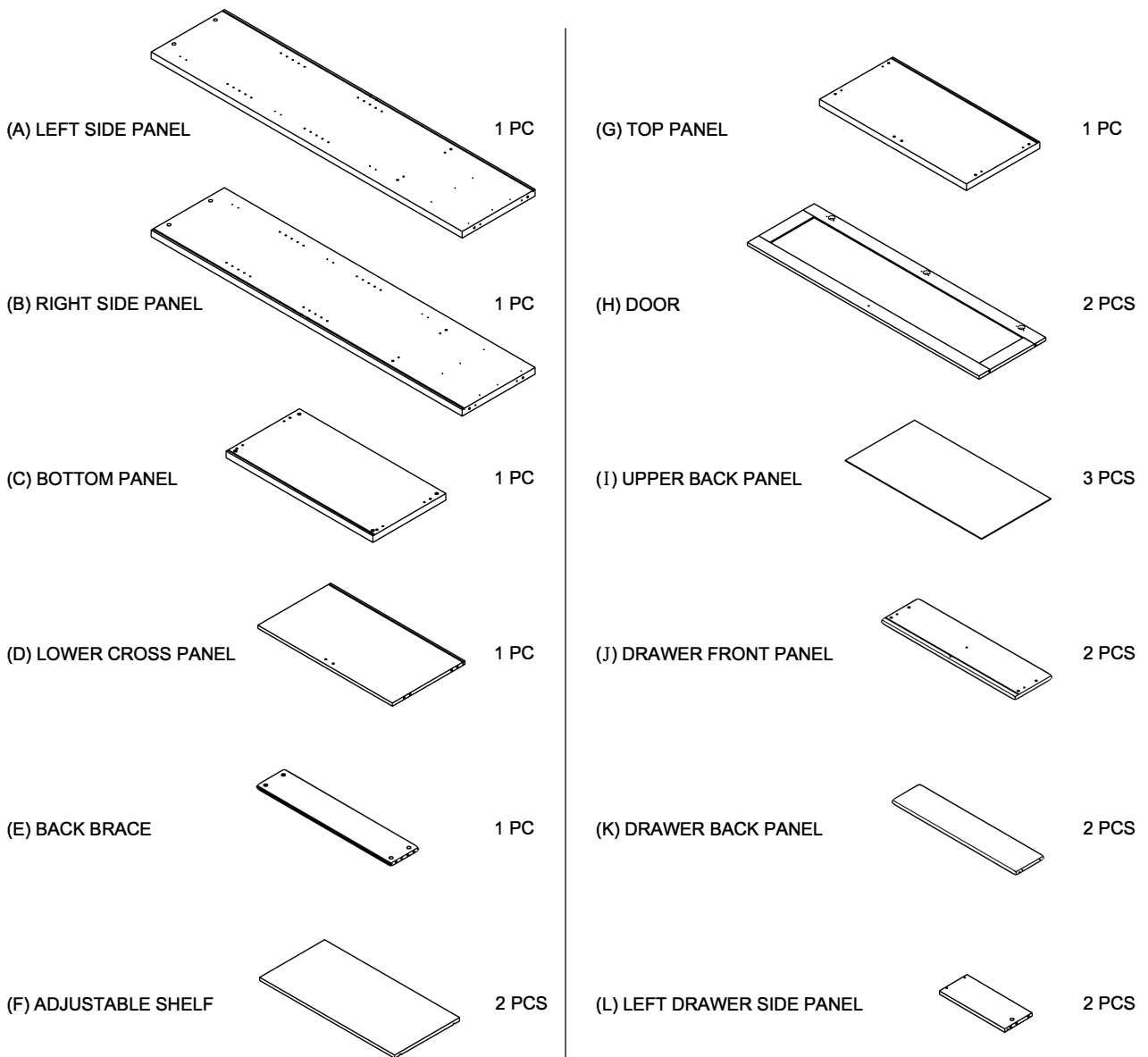
Warning!

- 1.Don't attempt to repair or modify parts that are broken or defective.Please contact the store immediately.
- 2.This product is for home use only and not intended for commercial establishment.

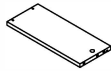


ASSEMBLY TIME PER UNIT: 50 MINUTES

PARTS IDENTIFICATION:

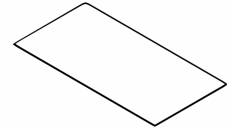


(M) RIGHT DRAWER SIDE PANEL



2 PCS

(O) DRAWER BOTTOM PANEL



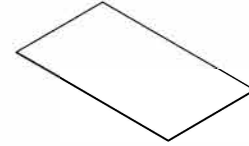
2 PCS

(N) DRAWER SUPPORT



2 PCS

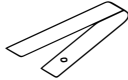



(P) DOWN BACK PANEL



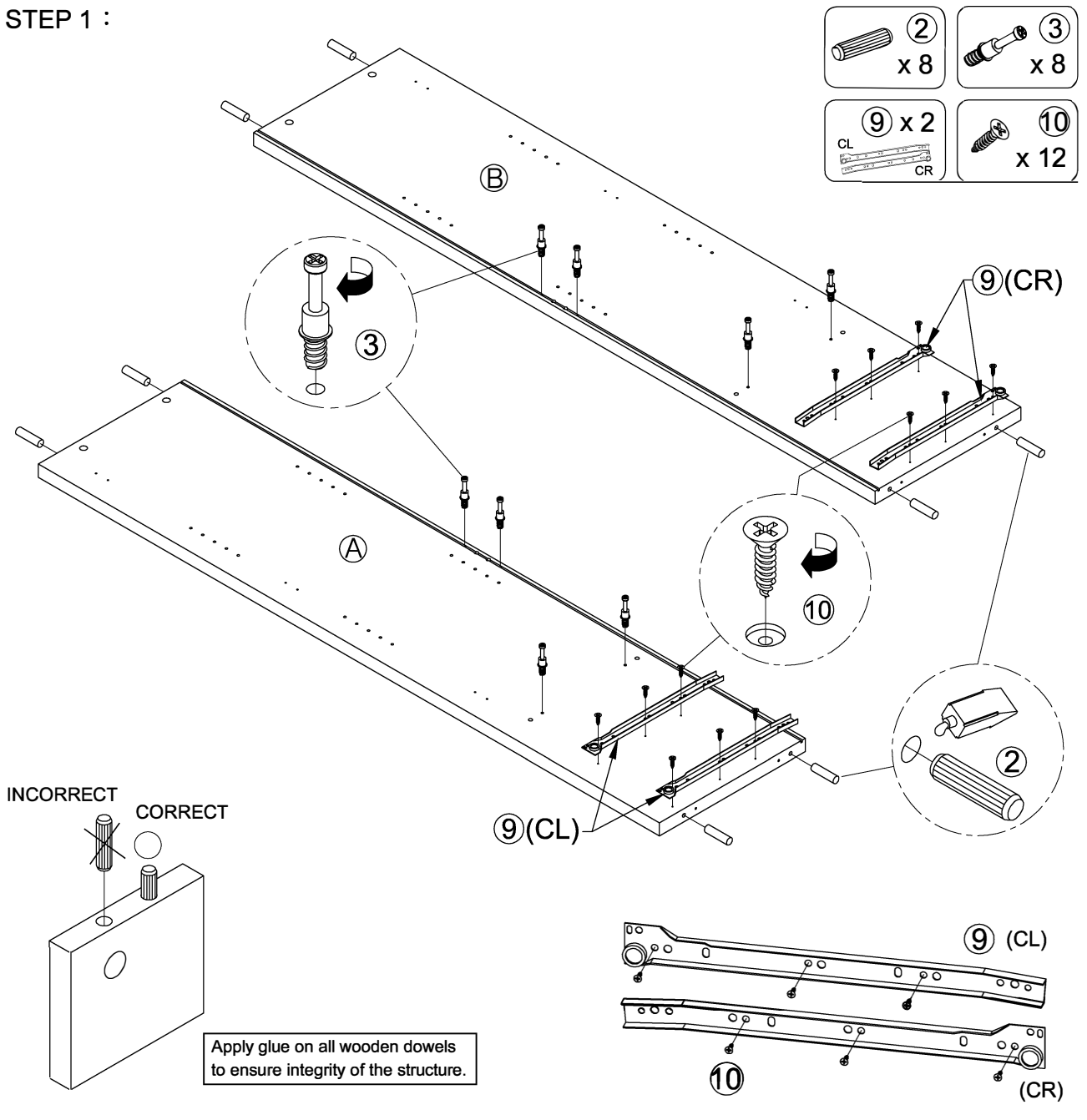
1 PC

Z HARDWARE PACKAGE							
NO	DESCRIPTION	FIGURE	Q'TY	NO	DESCRIPTION	FIGURE	Q'TY
1	GLUE 40g		1 PC	11	HANDLE		4 PCS
2	WOODEN DOWEL Ø8x30mm		24 PCS	12	HANDLE BOLT		4 PCS
3	CAM BOLT Ø7x35.5mm		18 PCS	13	HINGE		6 PCS
4	CAM LOCK Ø15x12mm		18 PCS	14	HINGE SCREW Ø4x15mm		24 PCS
5	BOLT Ø9.5x55mm		4 PCS	15	FOOT		4 PCS
6	DRAWER SCREW Ø4.3x35mm		10 PCS	16	FOOT BOLT M6x42mm		4 PCS
7	PIN Ø4.9x8mm		8 PCS	17	FIXER		6 PCS
8	DOOR CATCH		2 PCS	18	FIXER SCREW Ø3x19mm		6 PCS
9	GLIDES L = 350mm		2 SET	19	PLASTIC BACK BRACE		1 PC
10	GLIDES SCREW Ø3x12mm		24 PCS	20	STICKER Ø20mm		3 PCS

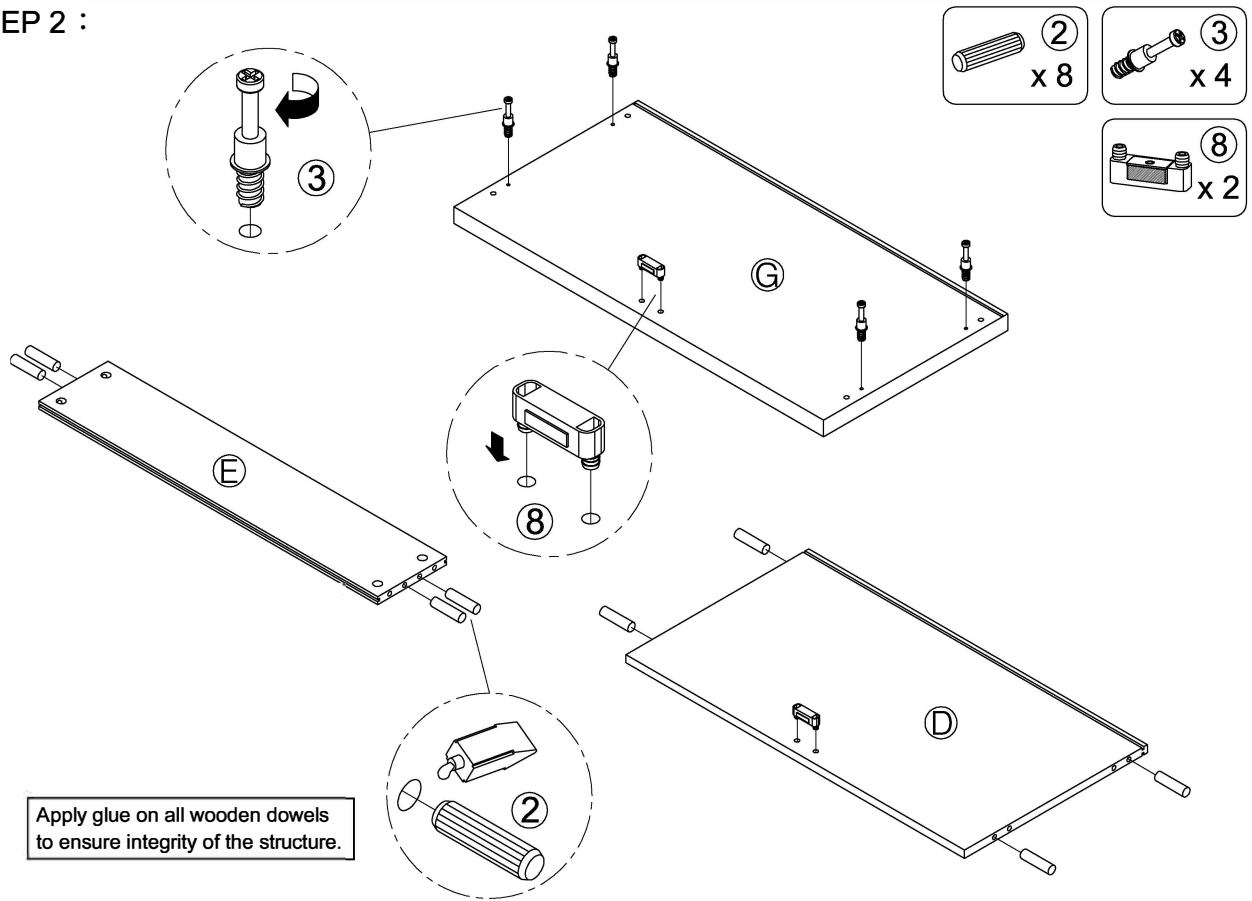
Z9,Z11,Z12,Z13,Z15,Z19 not included in blister packaging.

Z HARDWARE PACKAGE							
NO	DESCRIPTION	FIGURE	Q'TY	NO	DESCRIPTION	FIGURE	Q'TY
21	ANTI-TIP STRAP 170x15mm		2 PCS	23	WALL SCREW φ4x25mm		2 PCS
22	WALL PLUG 6x30mm		2 PCS	24	SCREW φ4x16mm		2 PCS

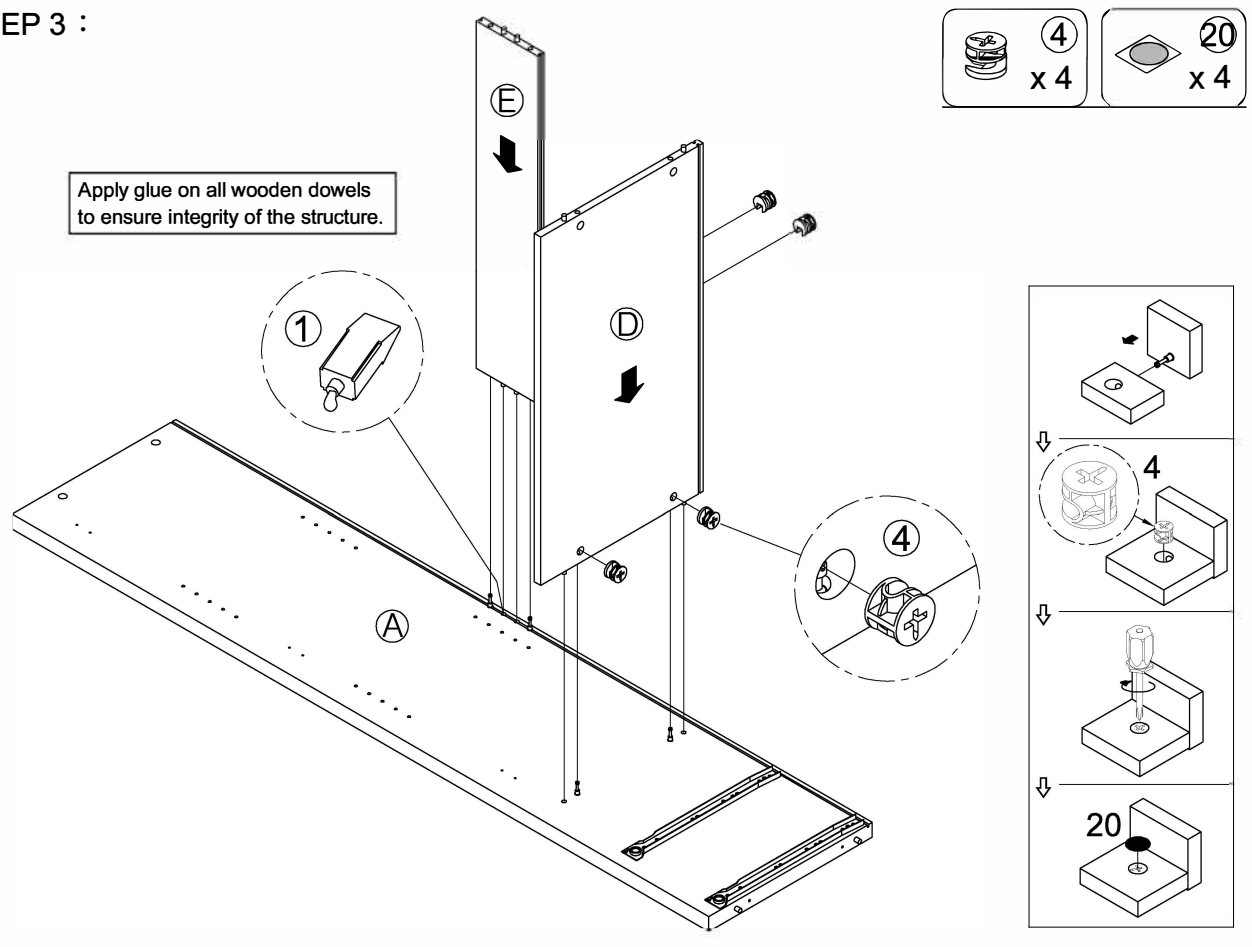
STEP 1 :



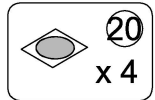
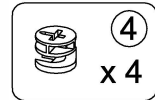
STEP 2 :



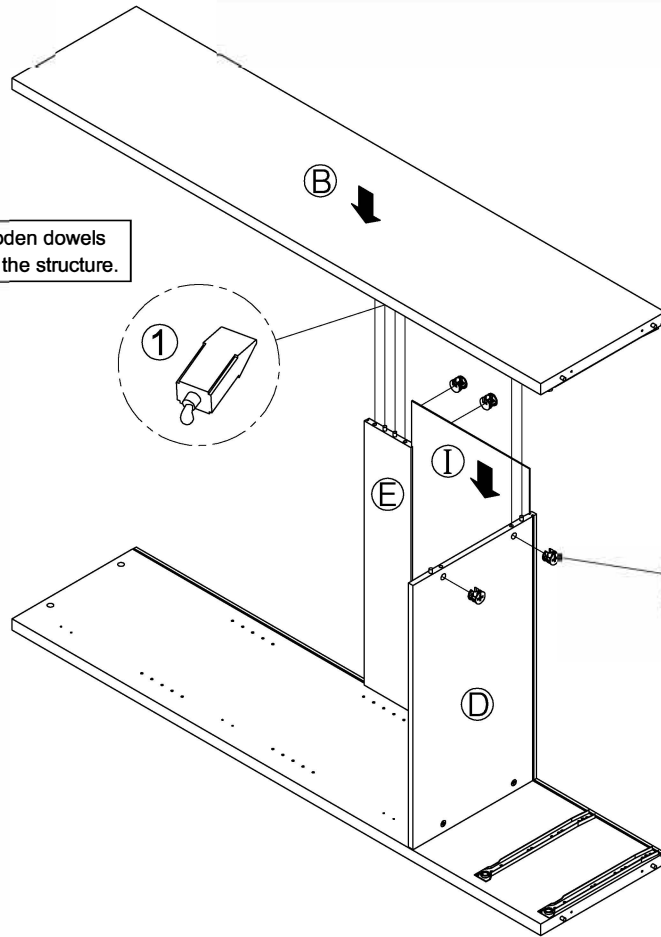
STEP 3 :



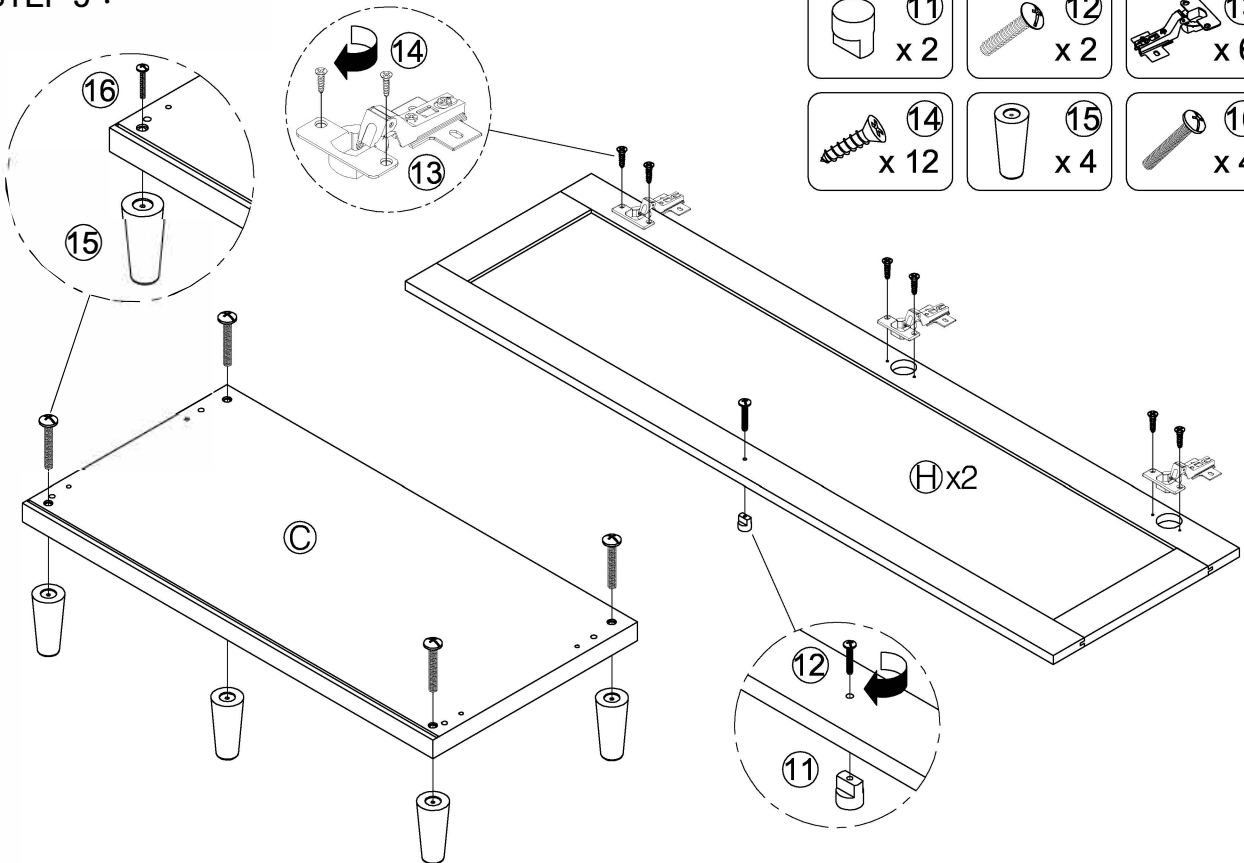
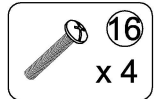
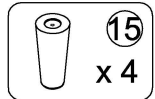
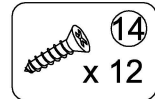
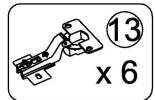
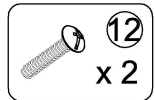
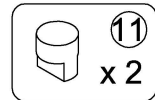
STEP 4 :



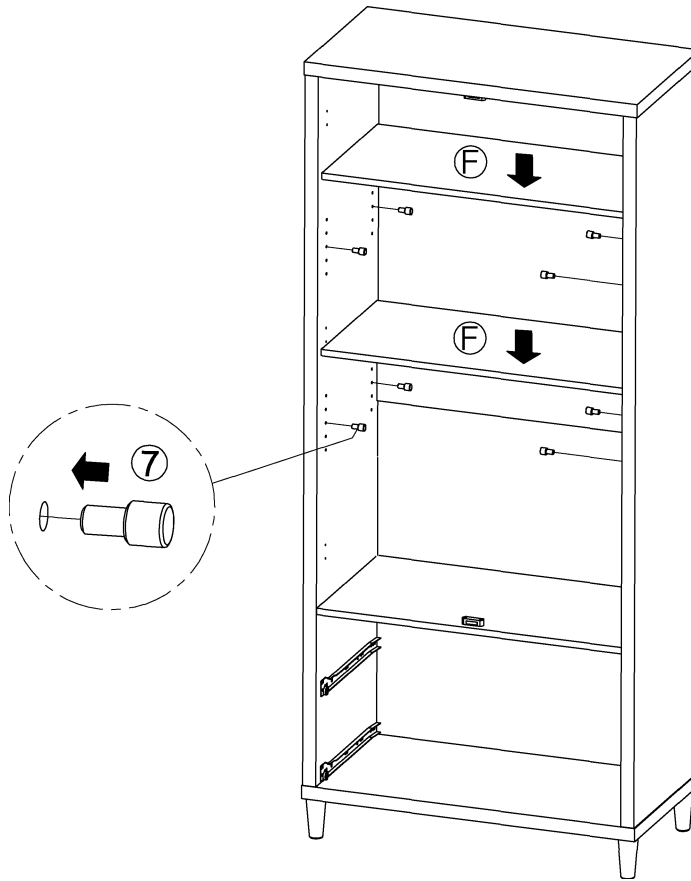
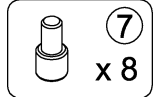
Apply glue on all wooden dowels to ensure integrity of the structure.



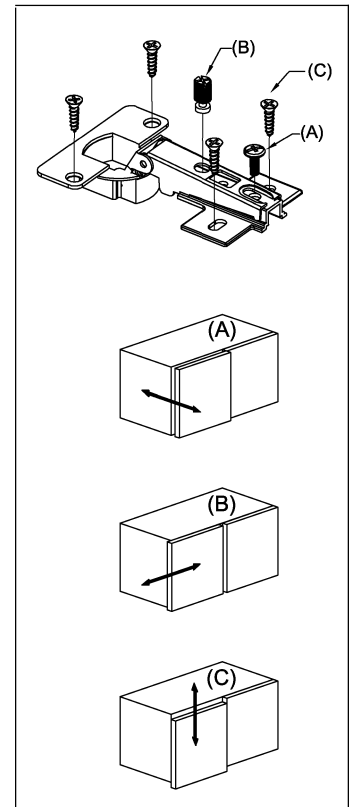
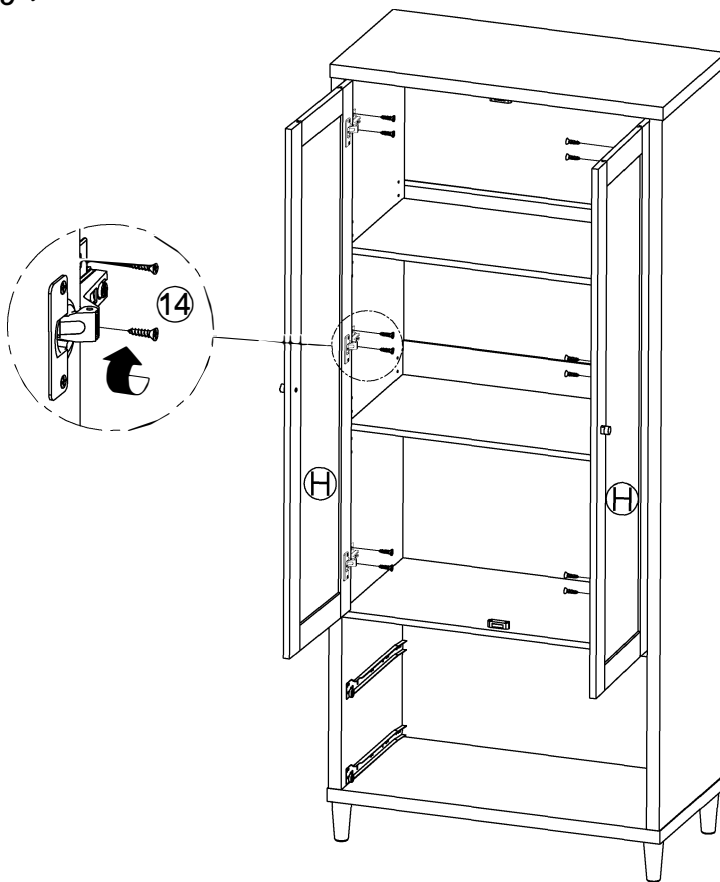
STEP 5 :



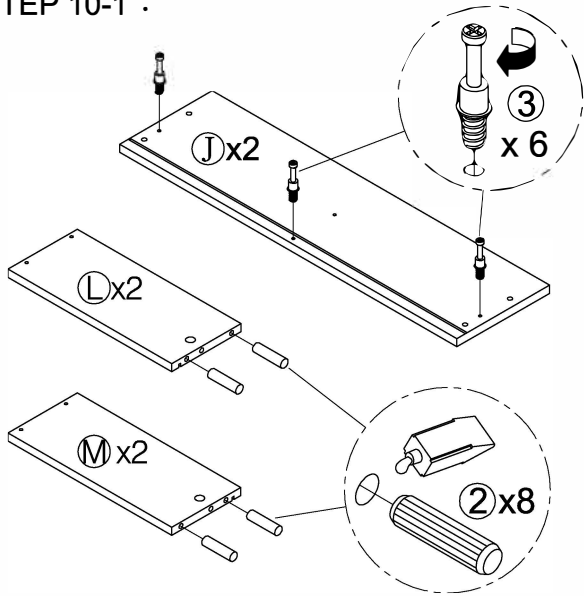
STEP 8 :



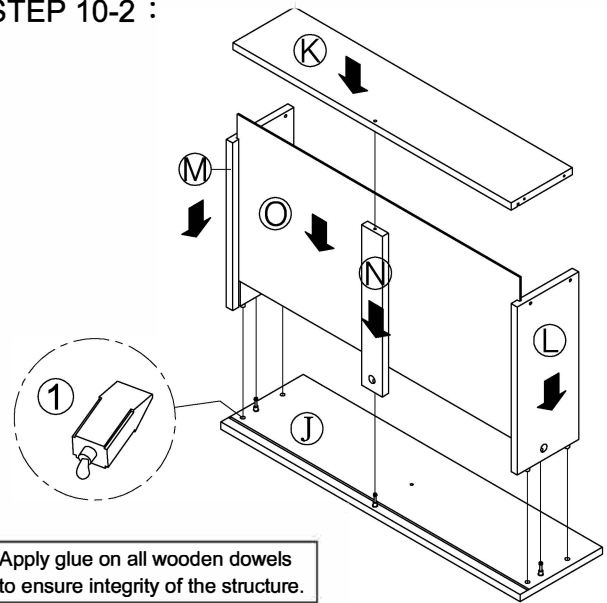
STEP 9 :



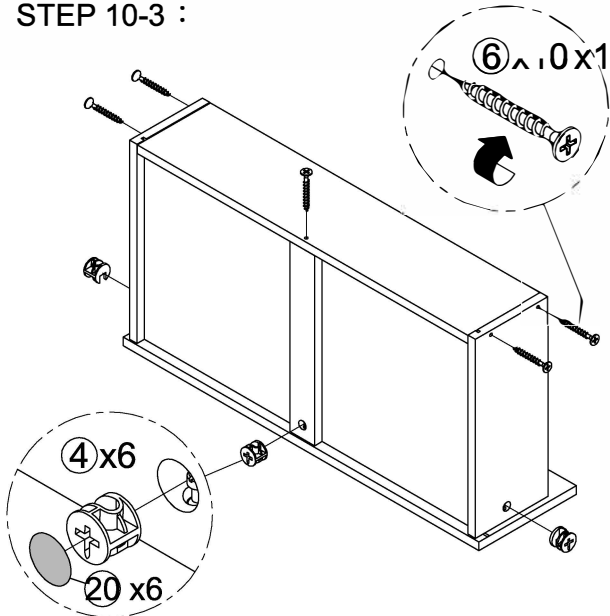
STEP 10-1 :



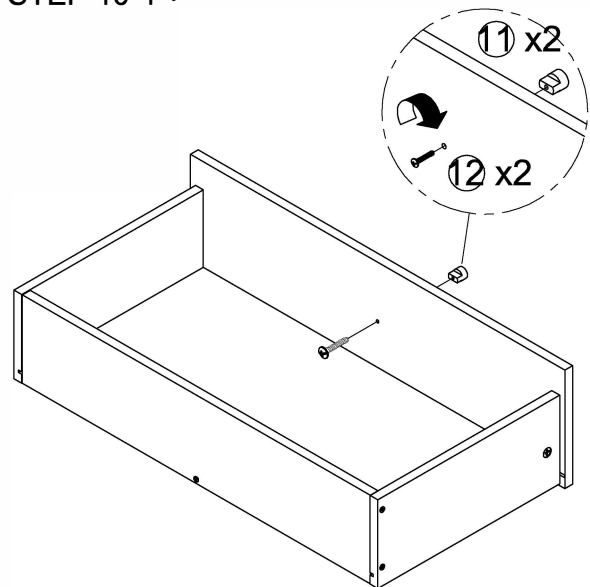
STEP 10-2 :



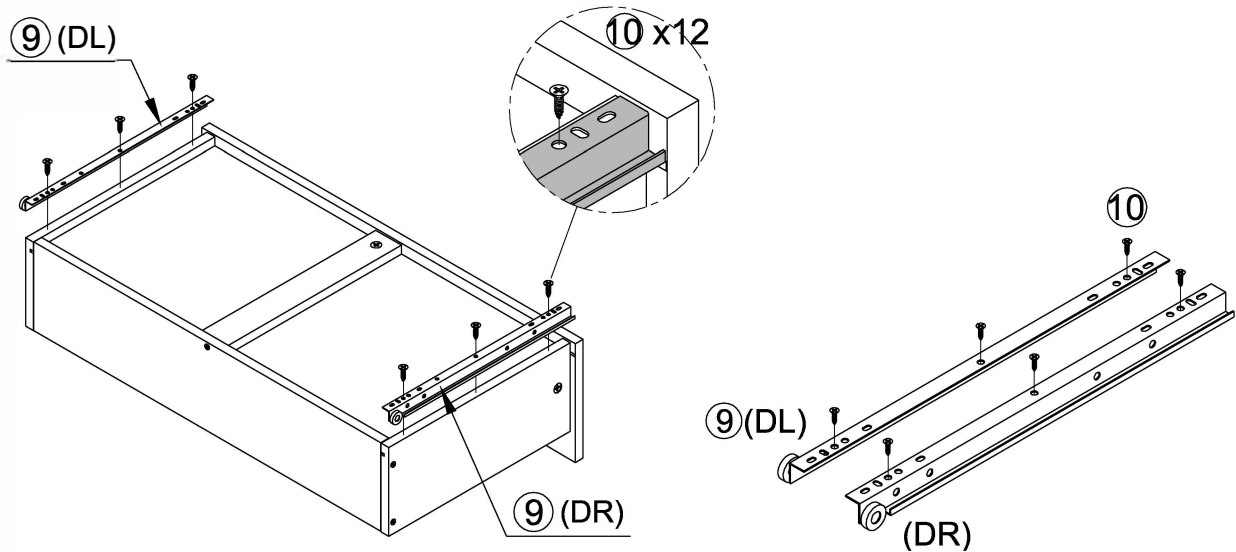
STEP 10-3 :



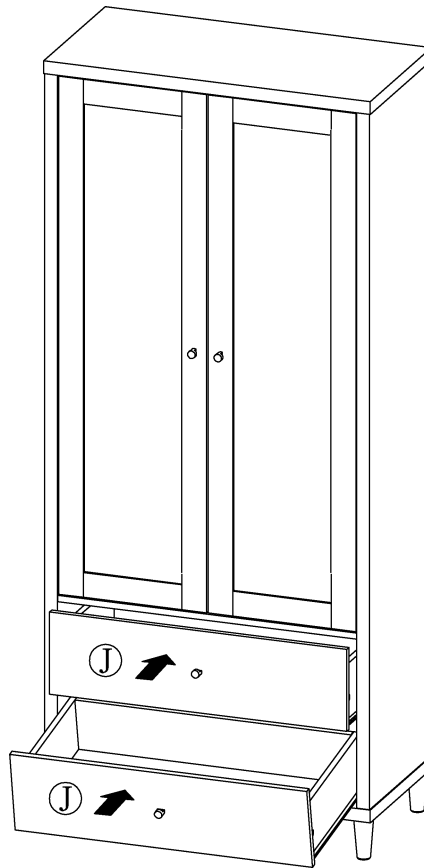
STEP 10-4 :



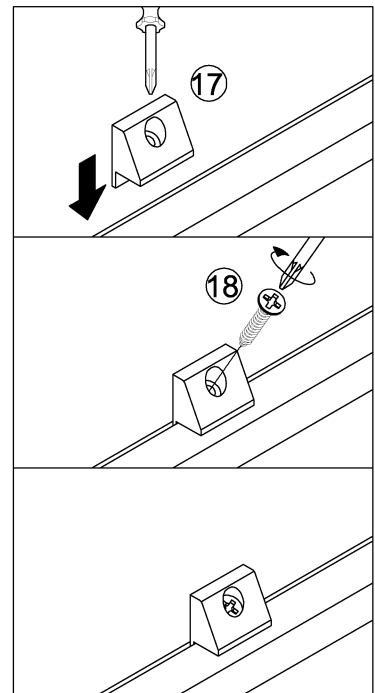
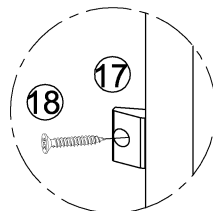
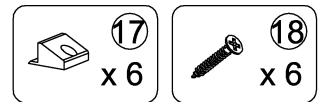
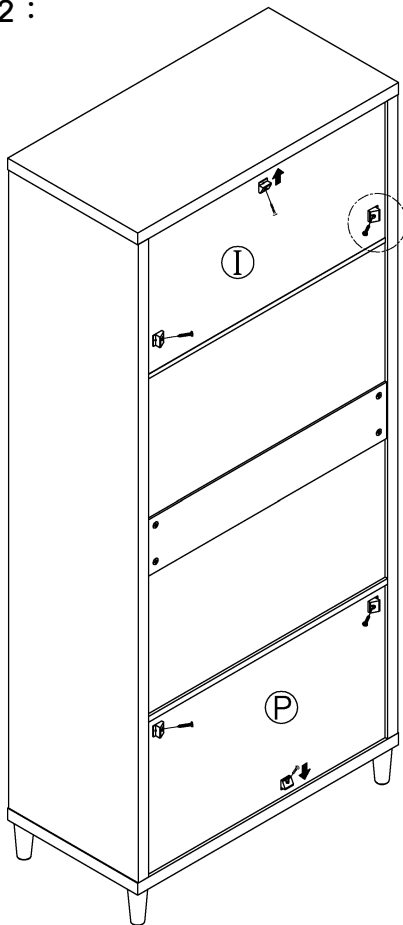
STEP 10-5 :



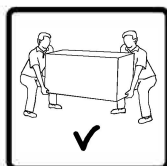
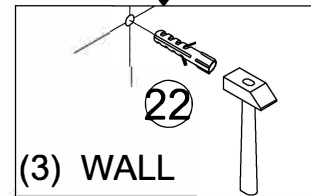
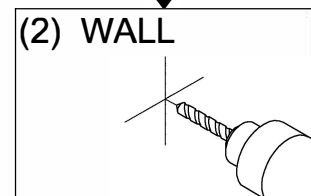
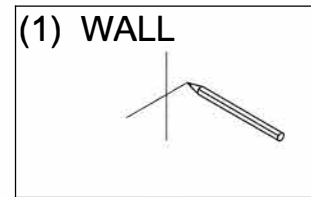
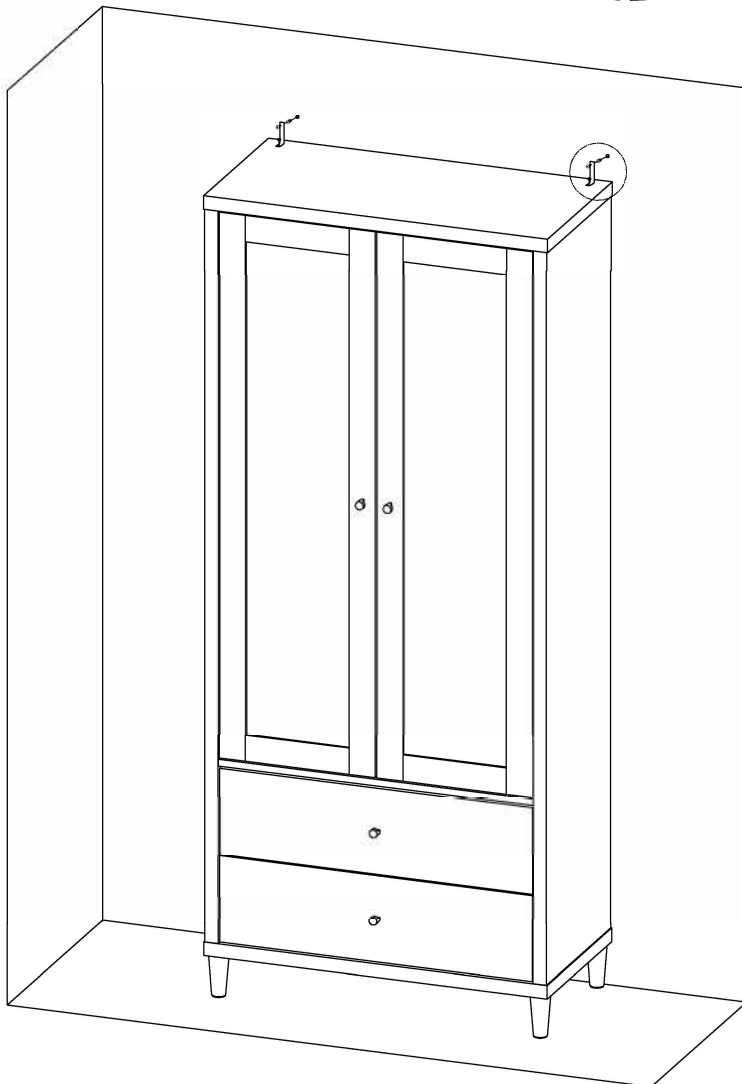
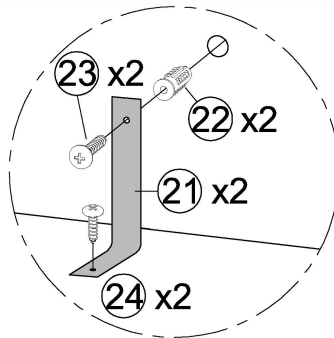
STEP 11 :



STEP 12 :



STEP 13 : ATTENTION: ANTI TIPPING SAFEGUARD
 Please install the anti-tipping hardware as shown in the drawing.
 This can help to prevent any tipping issues.



WARNING
 Injury may result from tipping furniture
 This restraint is not a substitute for proper adult supervision.
 This restraint may provide protection against tipping furniture.
 Do not allow children to climb on furniture.
 Failure to detach this restraint before moving furniture may
 result in injury and damage