

# INSTRUCTION MANUAL ENCLOSED

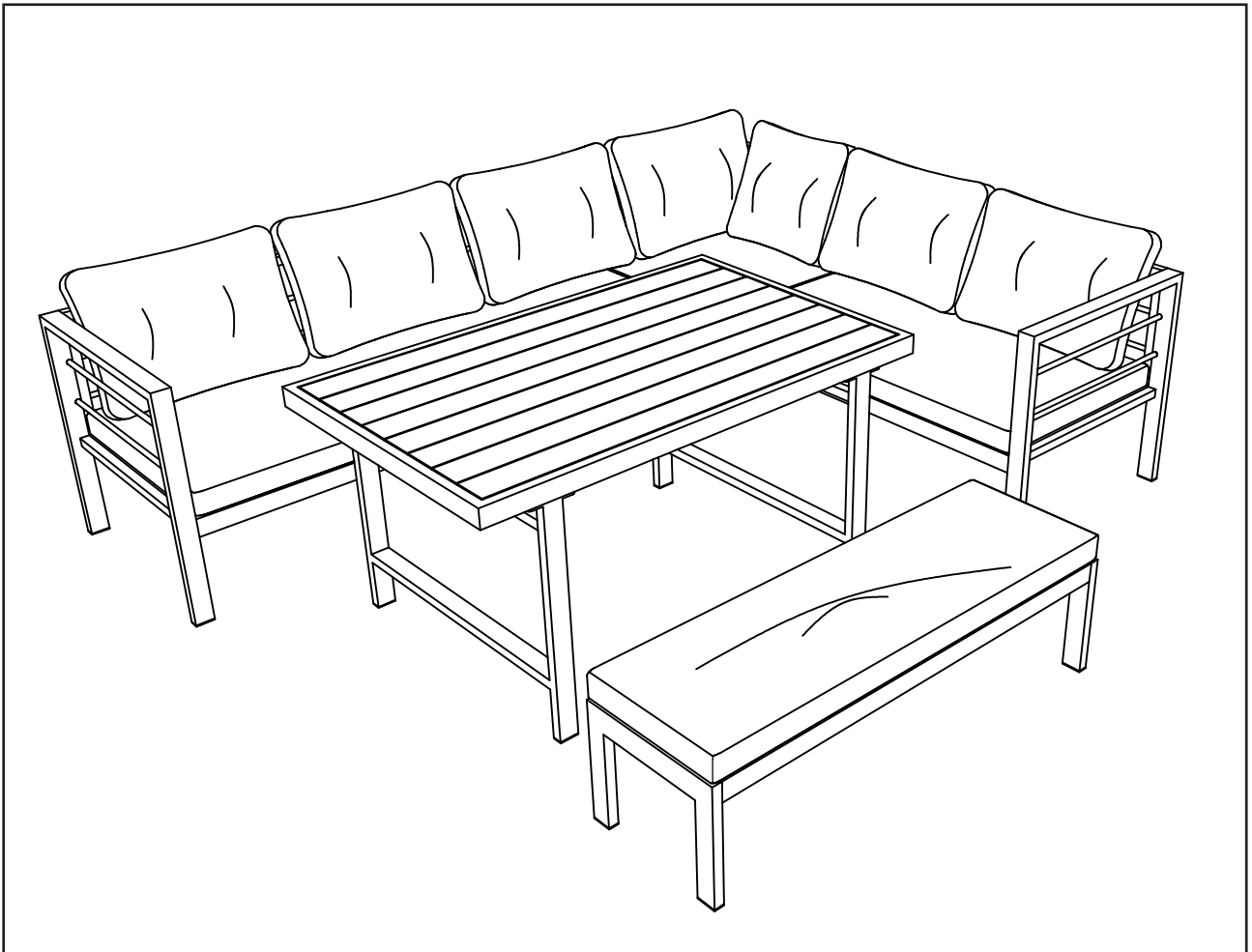
## ATTENTION

IF YOU HAVE ANY PROBLEMS OR QUESTIONS, EMAIL OR CALL  
CUSTOMER SERVICE BEFORE YOU RETURN THIS PRODUCT TO THE  
STORE WHERE IT WAS PURCHASED.

\*\*When emailing Customer Service, please include your **Order Number** and **platform of purchase** in the email subject for quicker assistance.



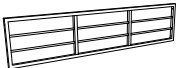




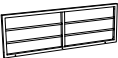






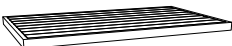
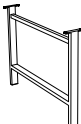

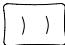




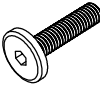
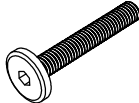
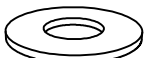

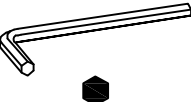
**INSTRUCTION MANUAL ENCLOSED**

**OUTDOOR METAL SOFA CORNER LOUNGE SET**  
**OUTDOOR METAL SOFA CORNER LOUNGE SET**  
**ASSEMBLY INSTRUCTION**



# PARTS LIST

<b>Part</b>	<b>Description</b>	<b>Quantity</b>
<b>PARTS</b>		
1	Right arm	1
2	Bench 3 seater	1
3	Bench 3 backrest	1
4	Left leg	1
5	Middle leg	1
6	Right leg	2
7	Bench 2 seater	1
8	Bench 2 backrest	1
9	Left arm	1
10	Corner seater	1
11	Corner backrest	1
12	Corner arm	1
13	Ottoman seater	1
14	Ottoman leg	2
15	Polywood table top	1
16	Table leg	2
17	Bench 3 cushion	1
18	Big pillow	6
19	Small pillow	1
20	Corner cushion	1
21	Bench 2 cushion	1
22	Ottoman cushion	1
<b>HARDWARE</b>		
A	Bolt M6x15 mm	12
B	Bolt M6x45 mm	37
C	Washer Ø6x14x1 mm	49
D	Connection wire	4
E	Allen key 4x98 mm	2

1  x1	2  x1	3  x1	4  x1	5  x1
6  x2	7  x1	8  x1	9  x1	10  x1
11  x1	12  x1	13  x1	14  x2	15  x1
16  x2	17  x1	18  x6	19  x1	20  x1
21  x1	22  x1	A  M6x15 mm x12	B  M6x45 mm x37	C  Ø6x14x1 mm x49
D  x4	E  x2 4 mm			

## PLEASE READ AND FOLLOW ALL SAFETY TIPS

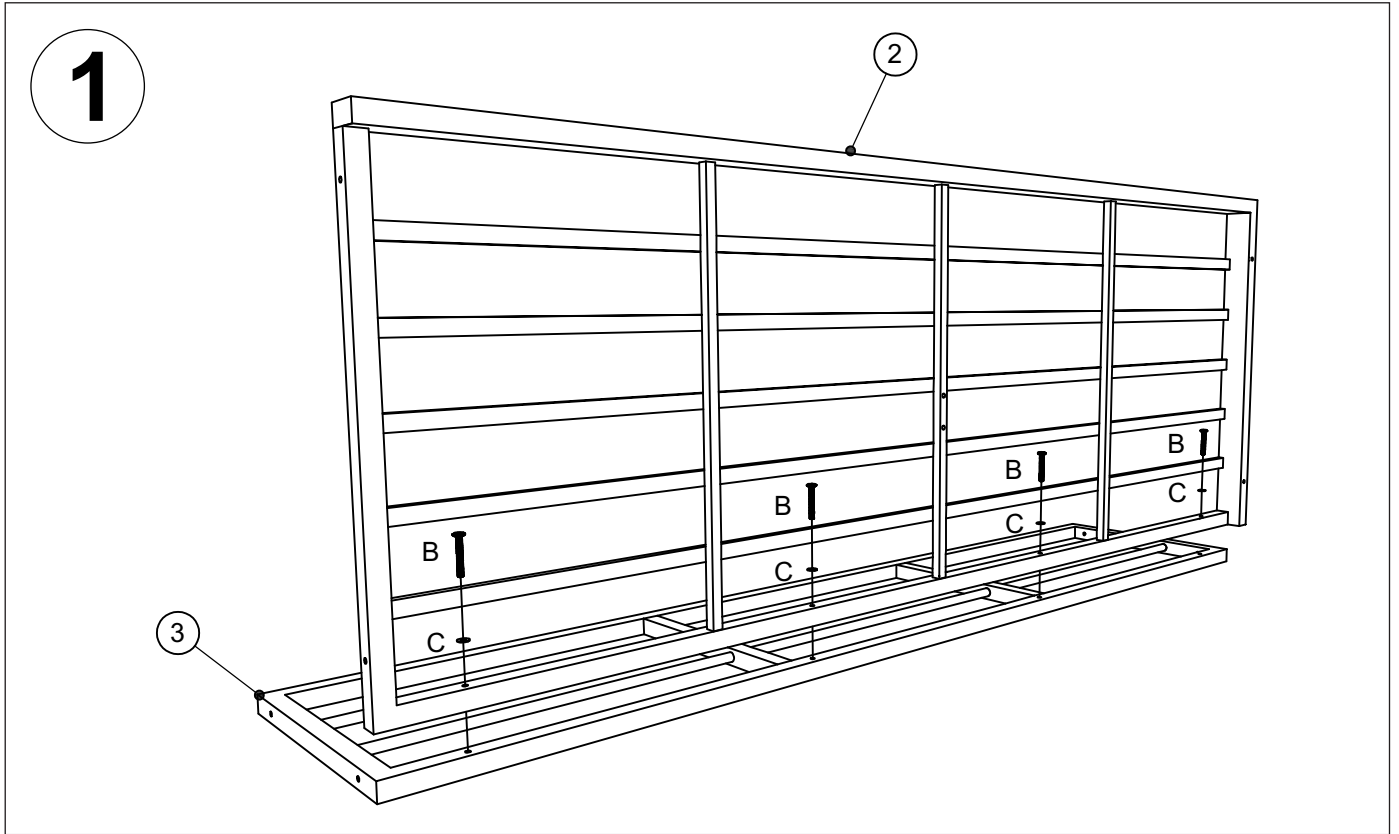
### GETTING STARTED

1. Before assembly, CAREFULLY use scissors or utility knife to cut and unwrap all parts. Make sure you do not discard the hardware.
2. Make sure that you have all the parts listed. If you are missing any parts, please email us. Please identify the parts you need and model number. Make sure to include your name and address.
3. Please include your **Order Number** and **platform of purchase** in the email subject, and one of our customer service representative will get back to you.

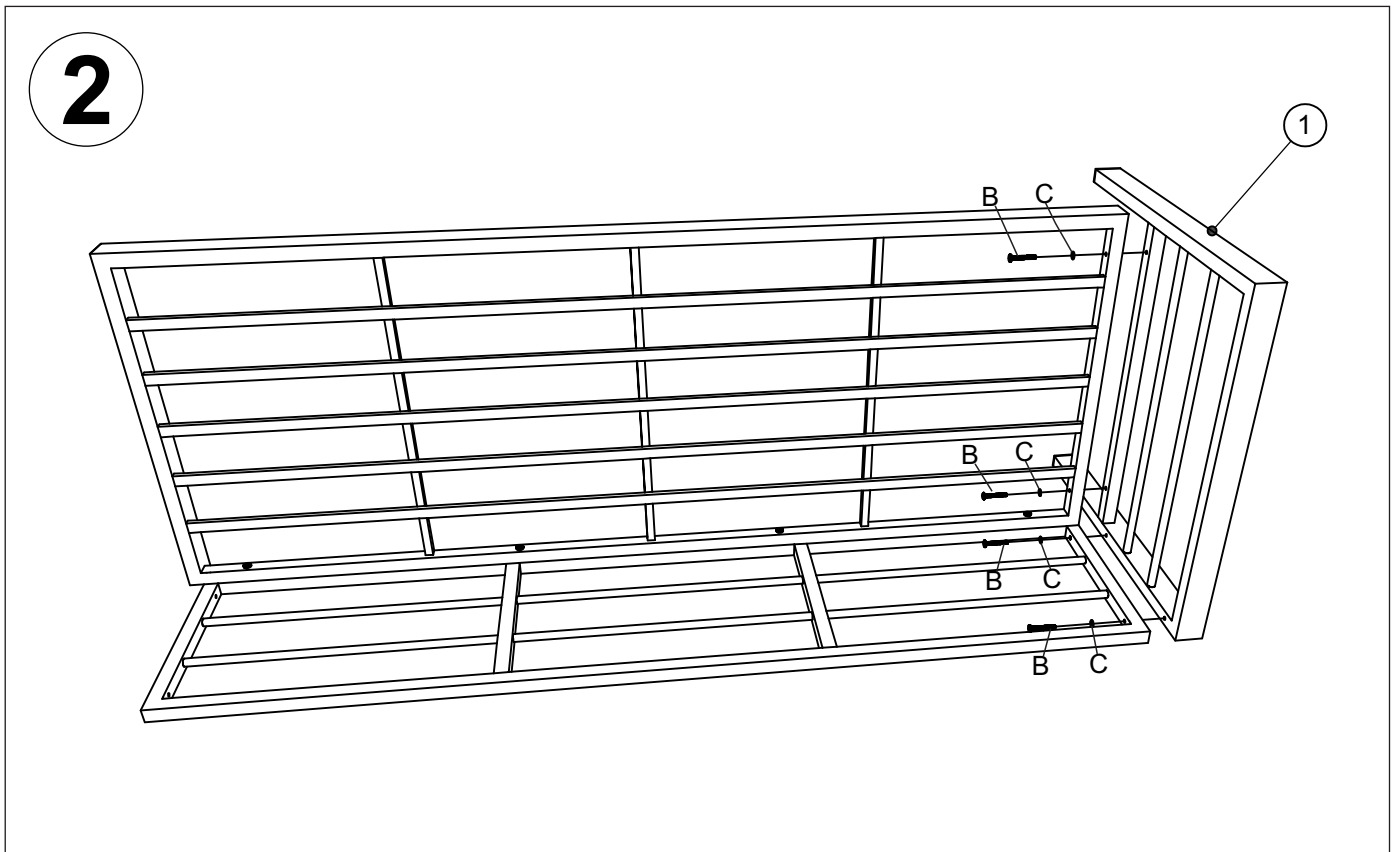
### Warm Tips:

1. The plastic covers on some metal parts are just for product protection. Please remove it before assembly.
2. Please follow the sequence of AI during assembly.
3. Do not tighten the screws until all of them are in right positions.

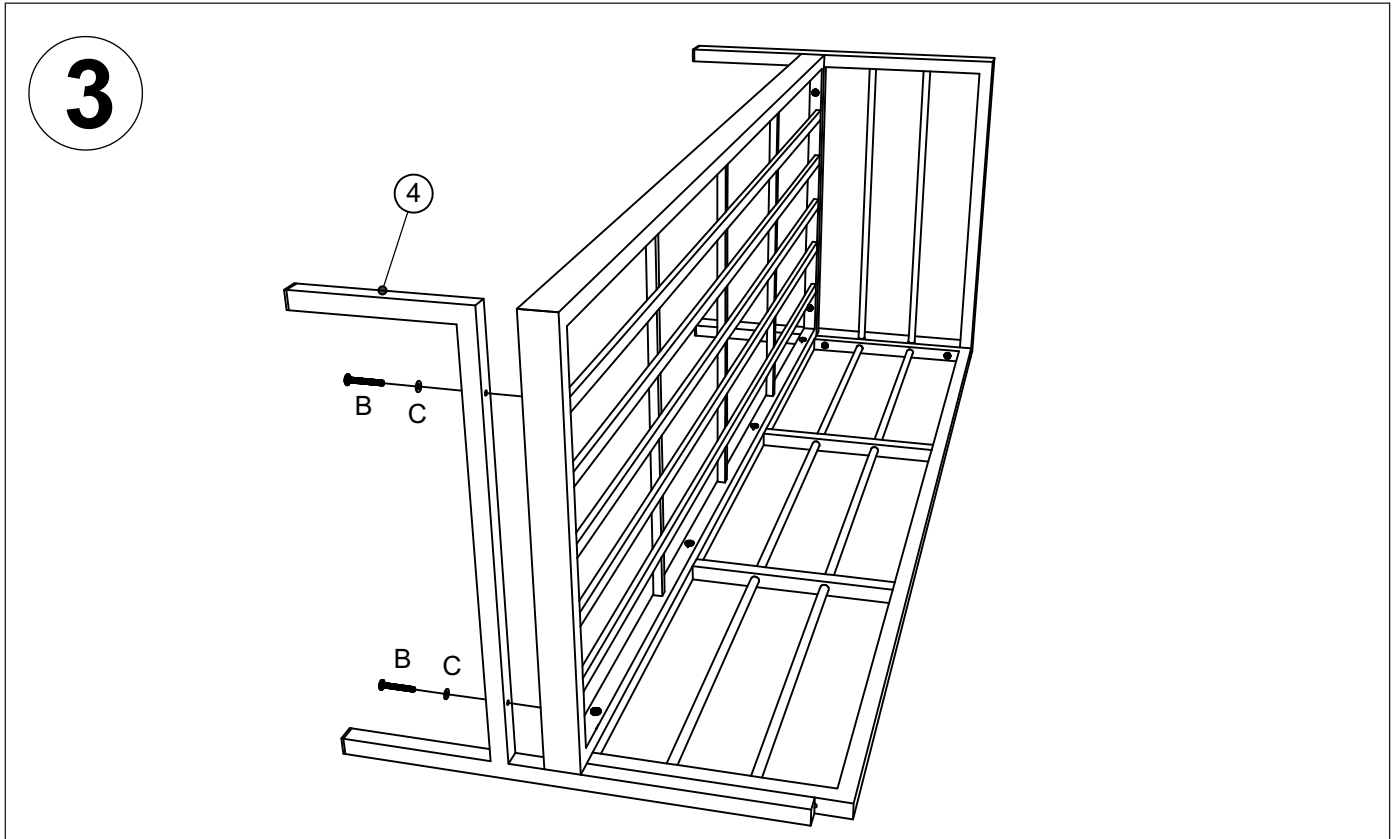
1. Locate the bench 3 seater (2) to the bench 3 backrest (3) by the pre-drilled threads.  
Use Allen Key (E) to tighten Bolts (B) and Washers (C).  
Note: only tighten 80% (Photo 1).



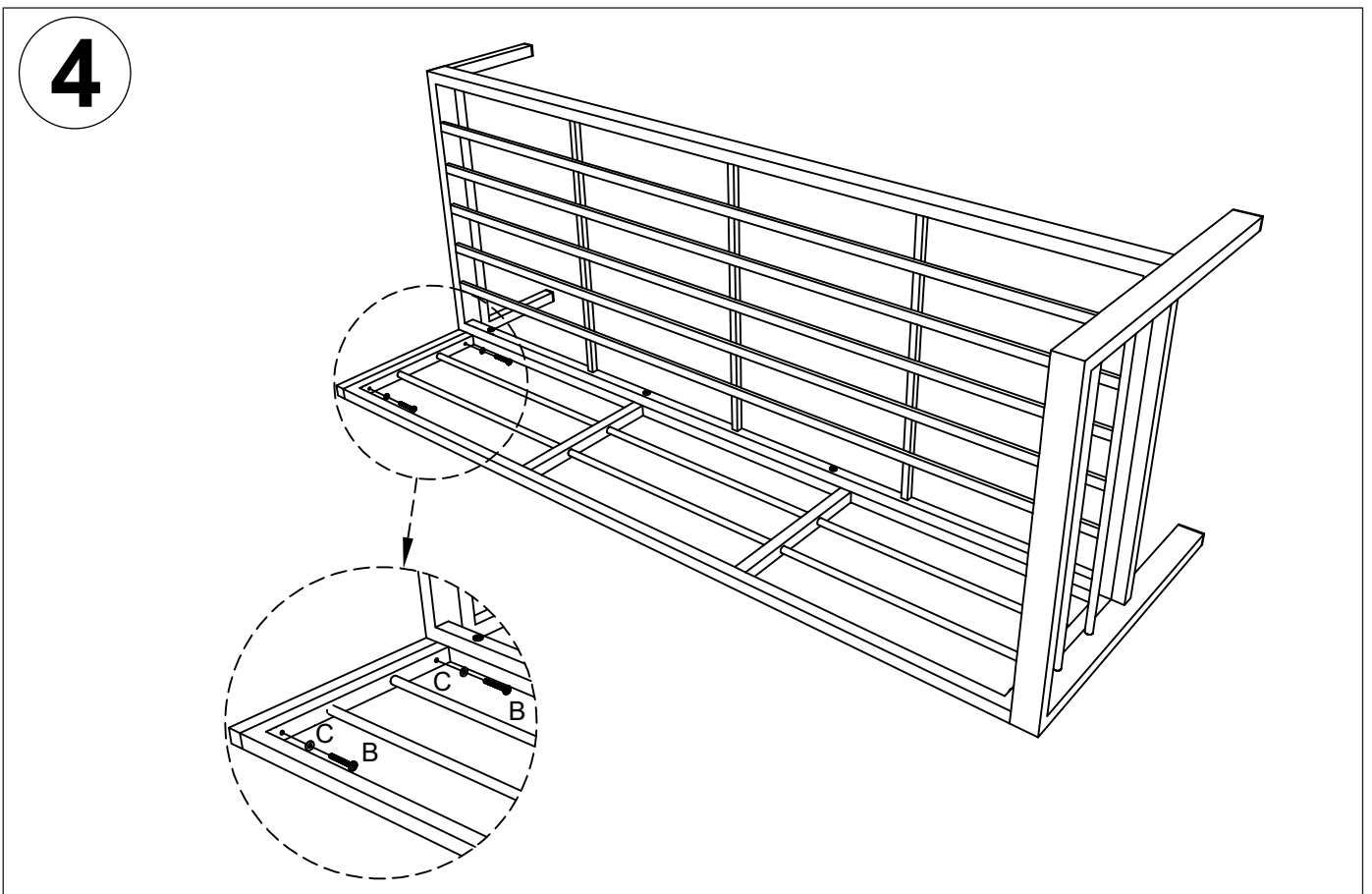
2. Locate the assembly installed in step (1) to the right arm (1) by the pre-drilled threads.  
Use Allen Key (E) to tighten Bolts (B) and Washers (C).  
Note: only tighten 80% (Photo 2).



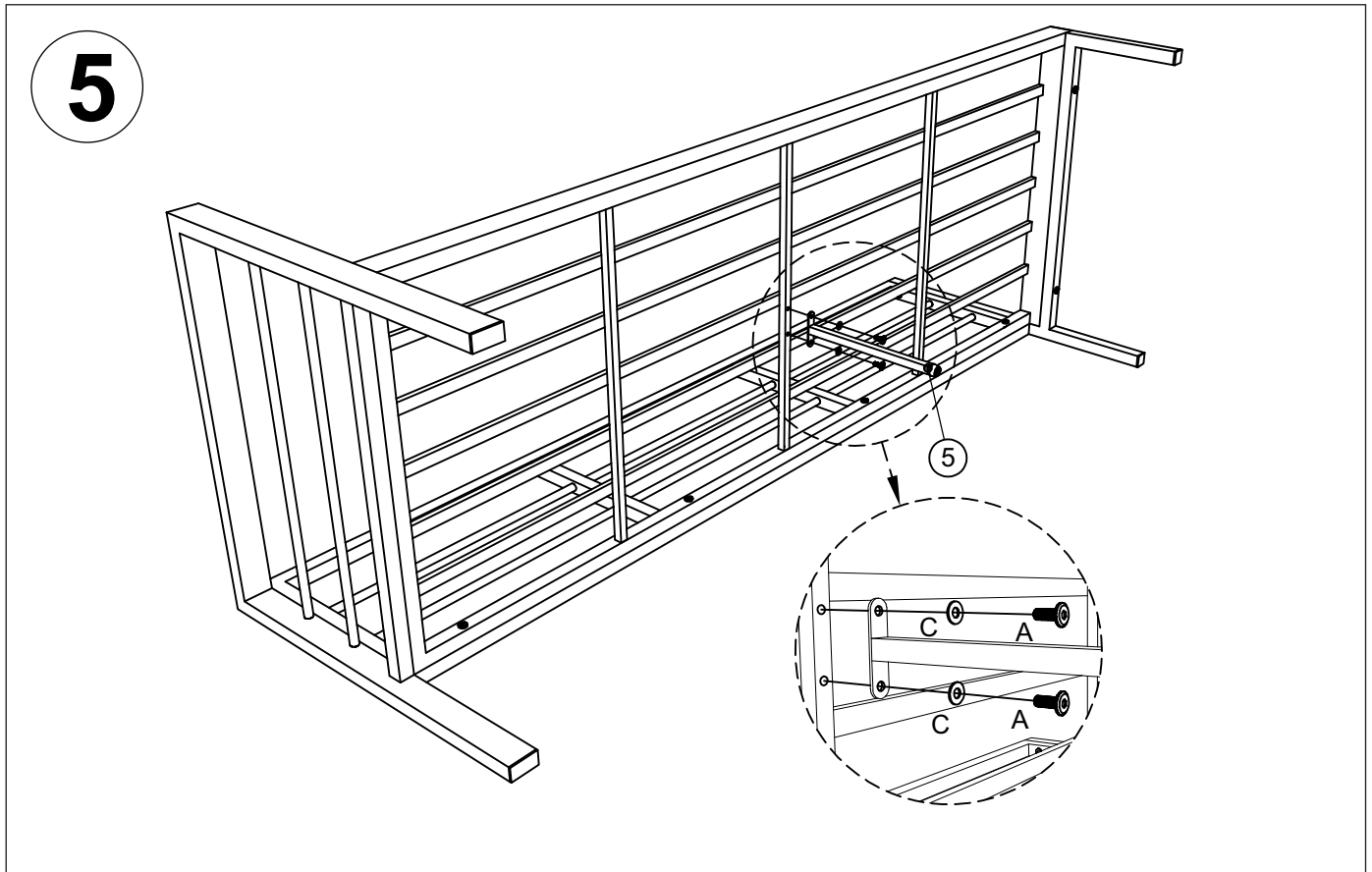
3. Locate the left leg (4) to the bench 3 seater (2) by the pre-drilled threads.  
Use Allen Key (E) to tighten Bolts (B) and Washers (C).  
Note: only tighten 80% (Photo 3).



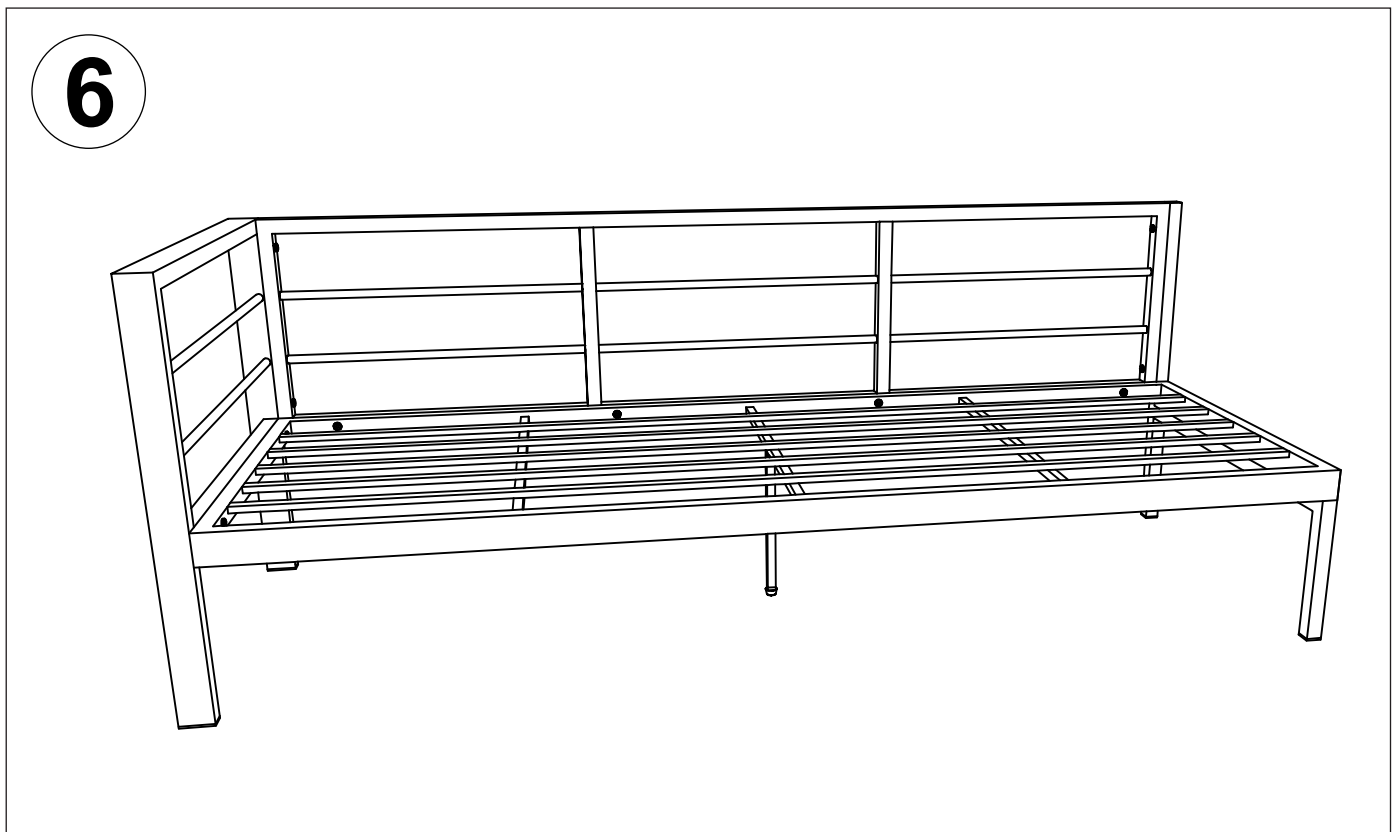
4. Locate the bench 3 backrest (3) to the left leg (4) by the pre-drilled threads.  
Use Allen Key (E) to tighten Bolts (B) and Washers (C).  
Note: only tighten 80% (Photo 4).



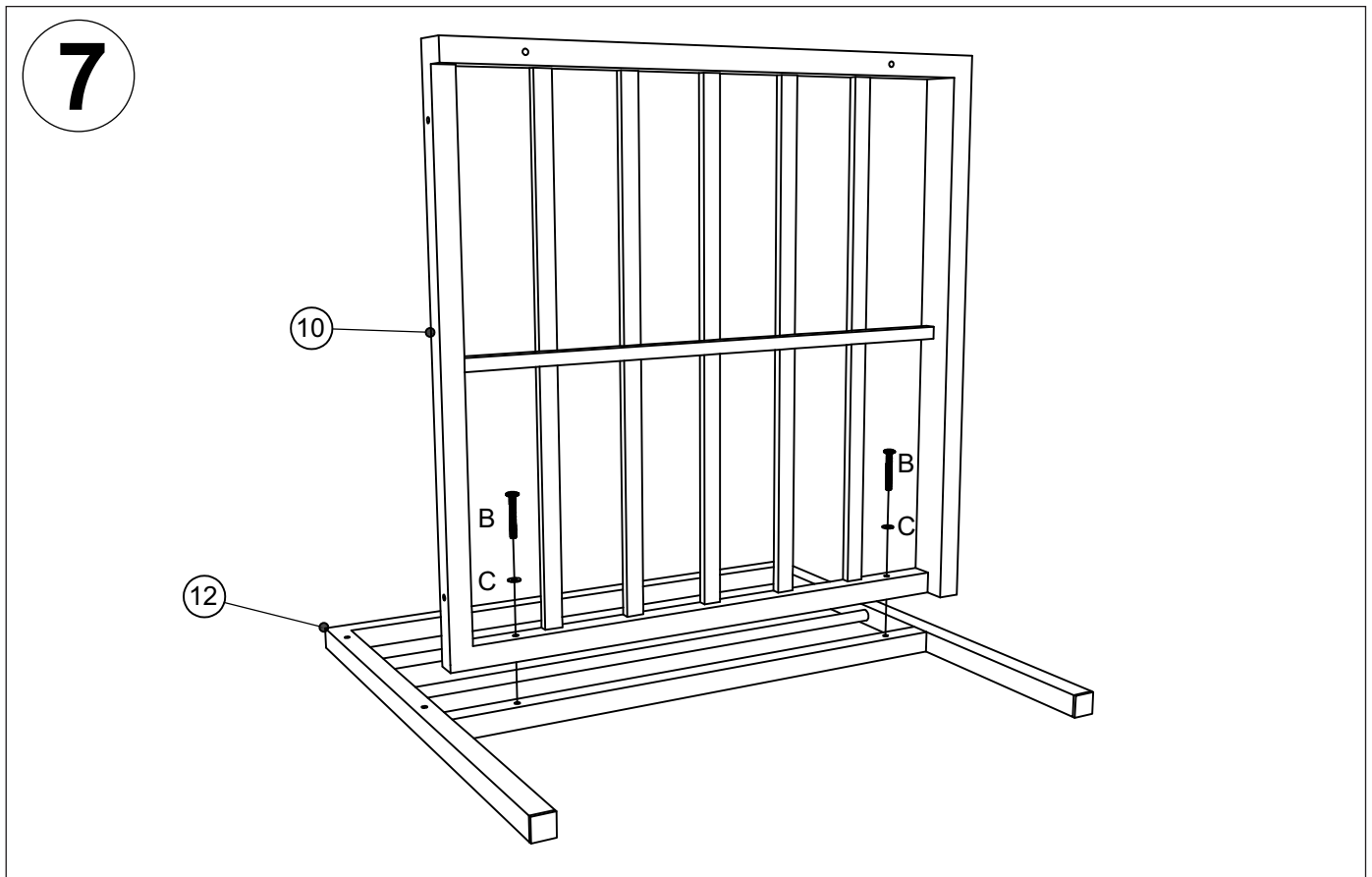
5. Locate middle leg (5) to the bench 3 seat (2) by the pre-drilled threads.  
Use Allen Key (E) to tighten Bolts (A) and Washers (C).  
Fixed all bolts 100% (Photo 5).



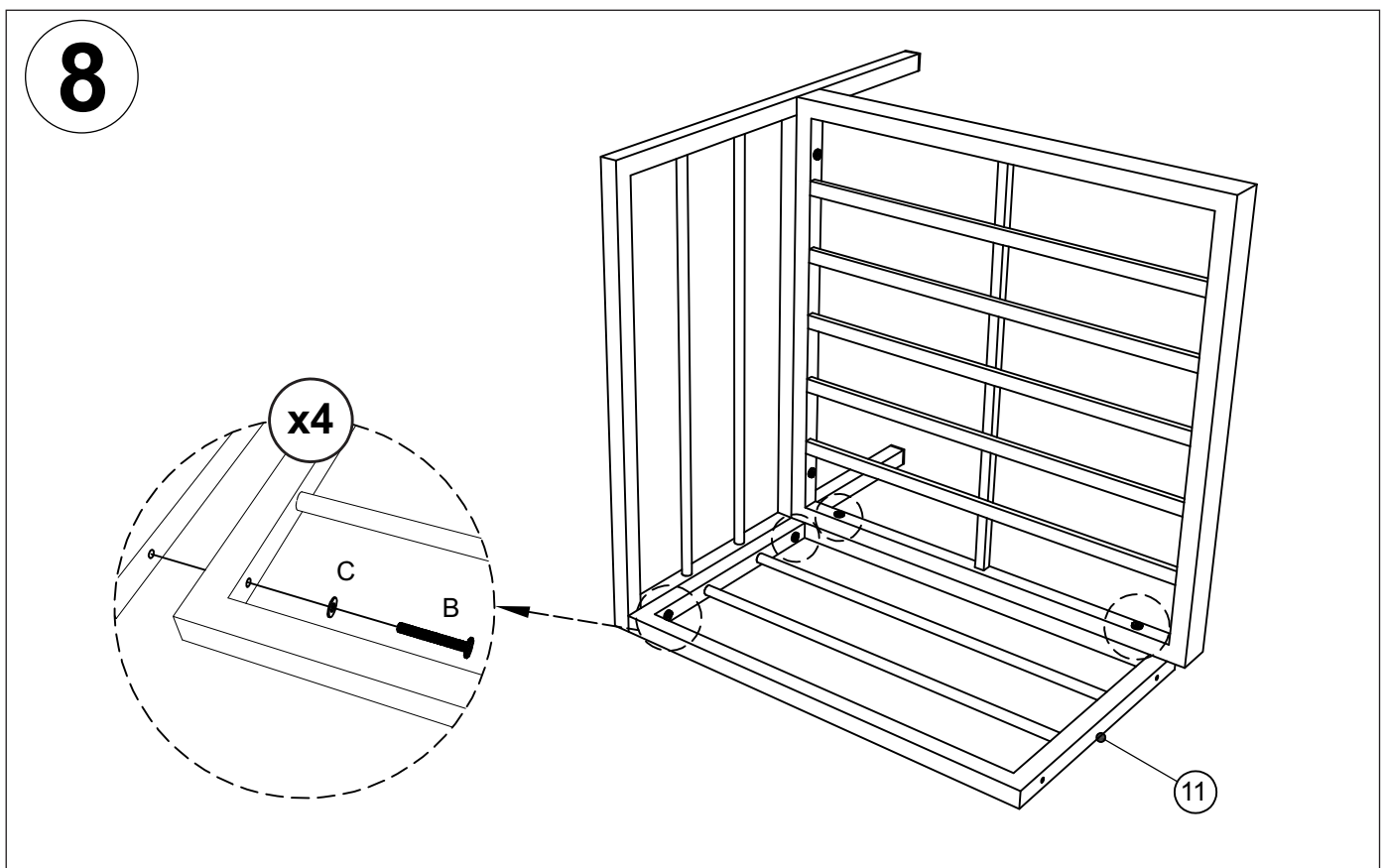
6. Use Allen Key (E) to tighten all Bolts 100% (Photo 6).



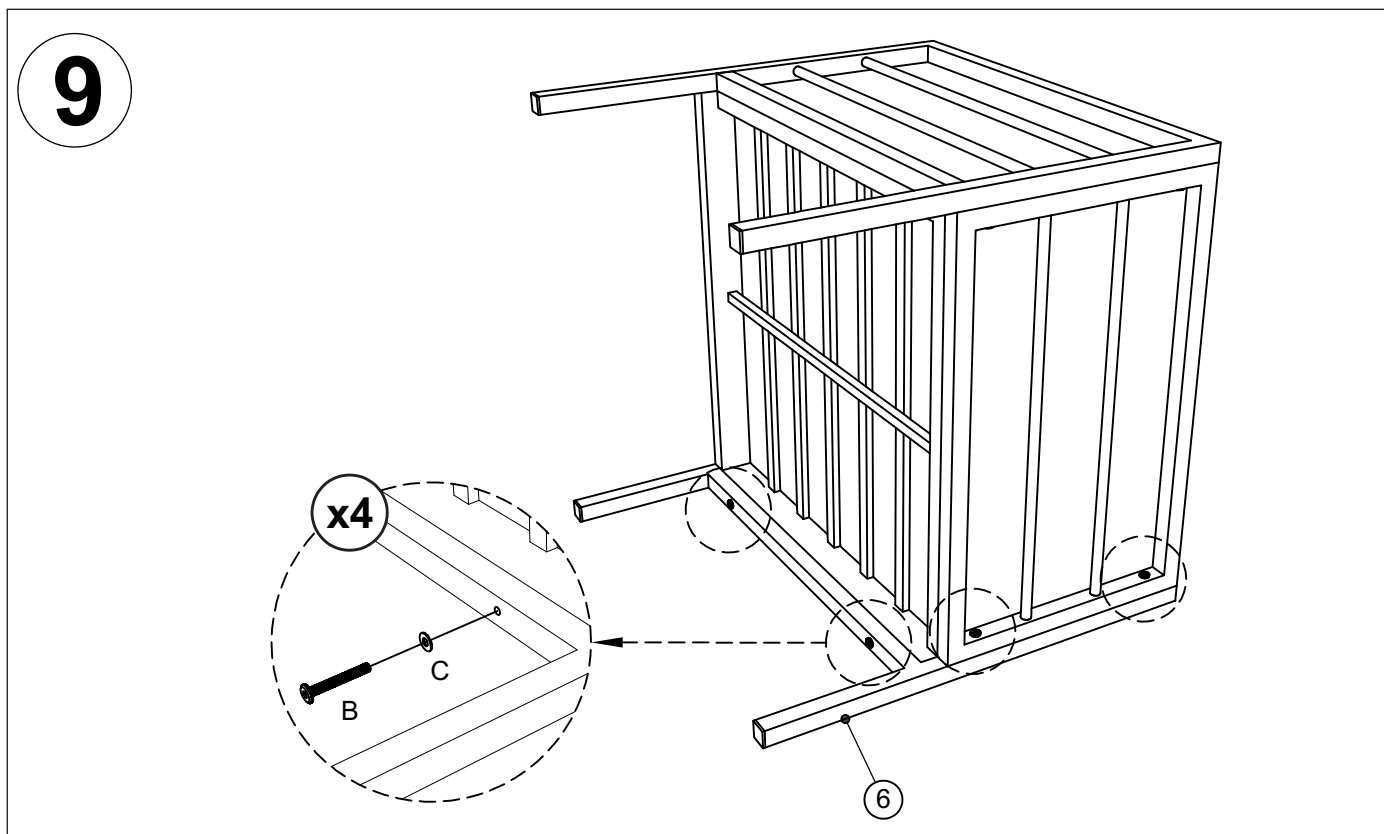
7. Locate the corner seater (10) to the corner arm (12) by the pre-drilled threads.  
Use Allen Key (E) to tighten Bolts (B) and Washers (C).  
Note: only tighten 80% (Photo 7).



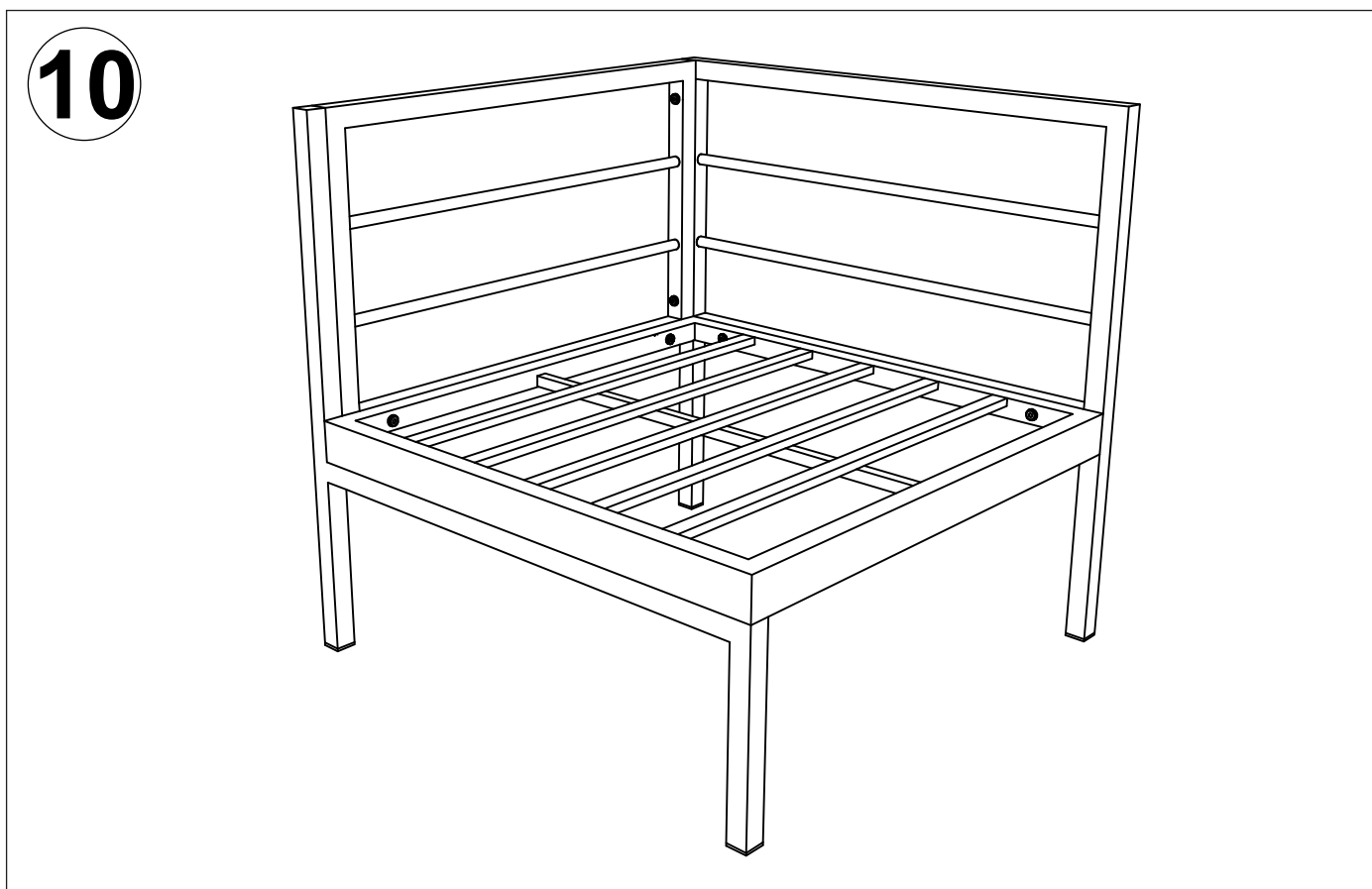
8. Locate the assembly installed in step (7) to corner backrest (11) by the pre-drilled threads.  
Use Allen Key (E) to tighten Bolts (B) and Washers (C).  
Note: only tighten 80% (Photo 8).



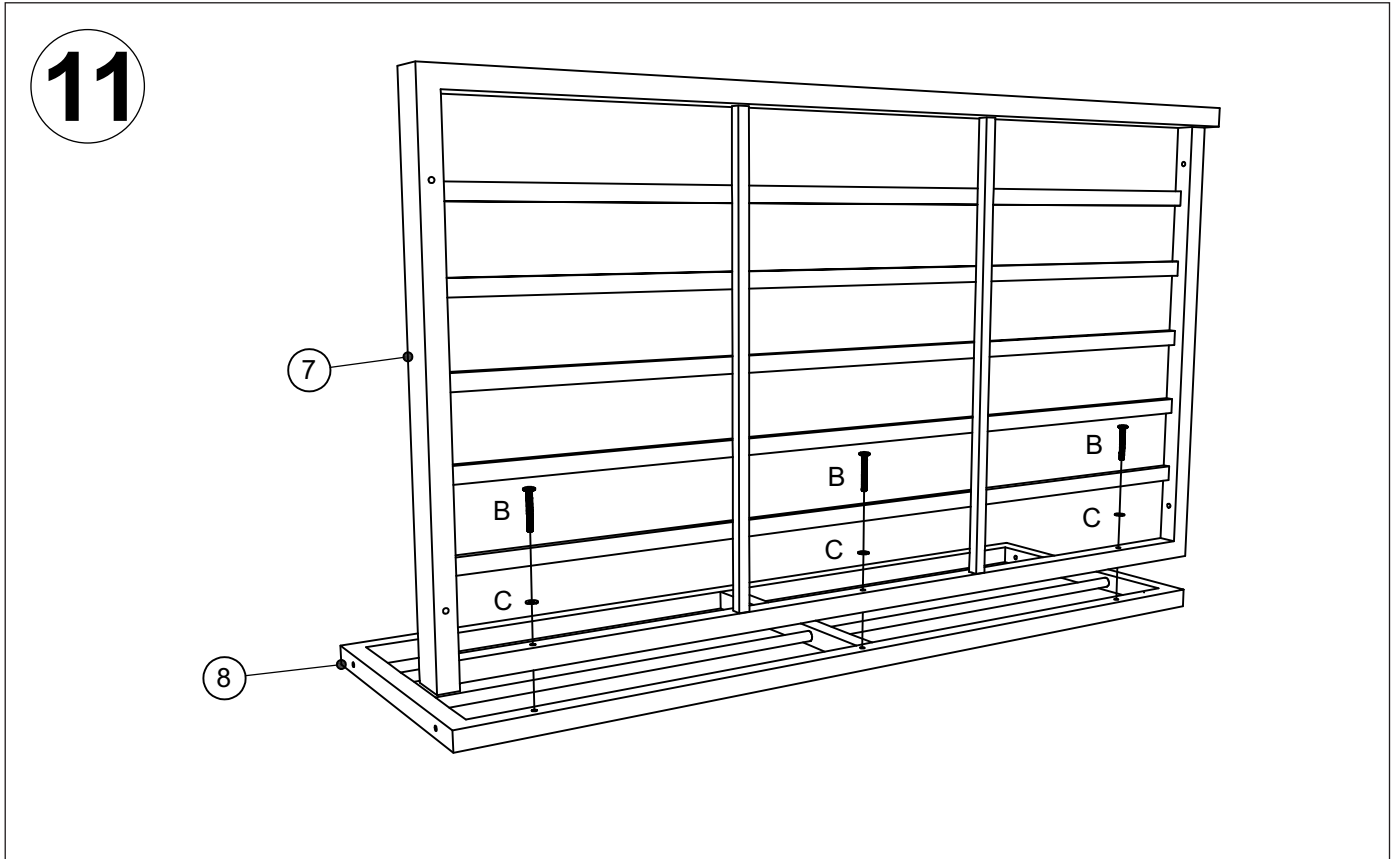
9. Locate the assembly installed in step (8) to right left (6) by the pre-drilled threads.  
Use Allen Key (E) to tighten Bolts (B) and Washers (C).  
Note: only tighten 80% (Photo 9).



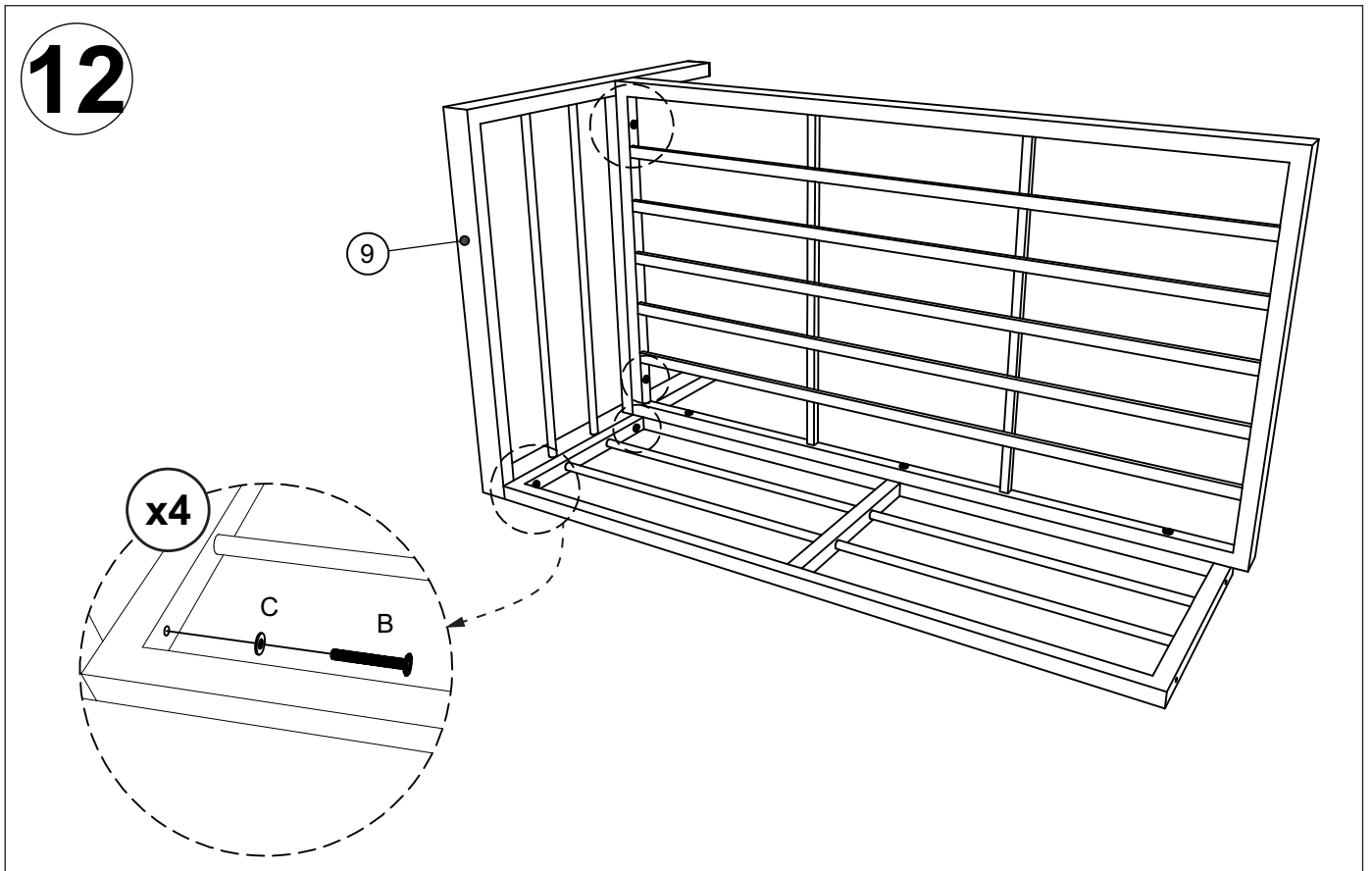
10. Use Allen Key (E) to tighten all Bolts 100% (Photo 10).



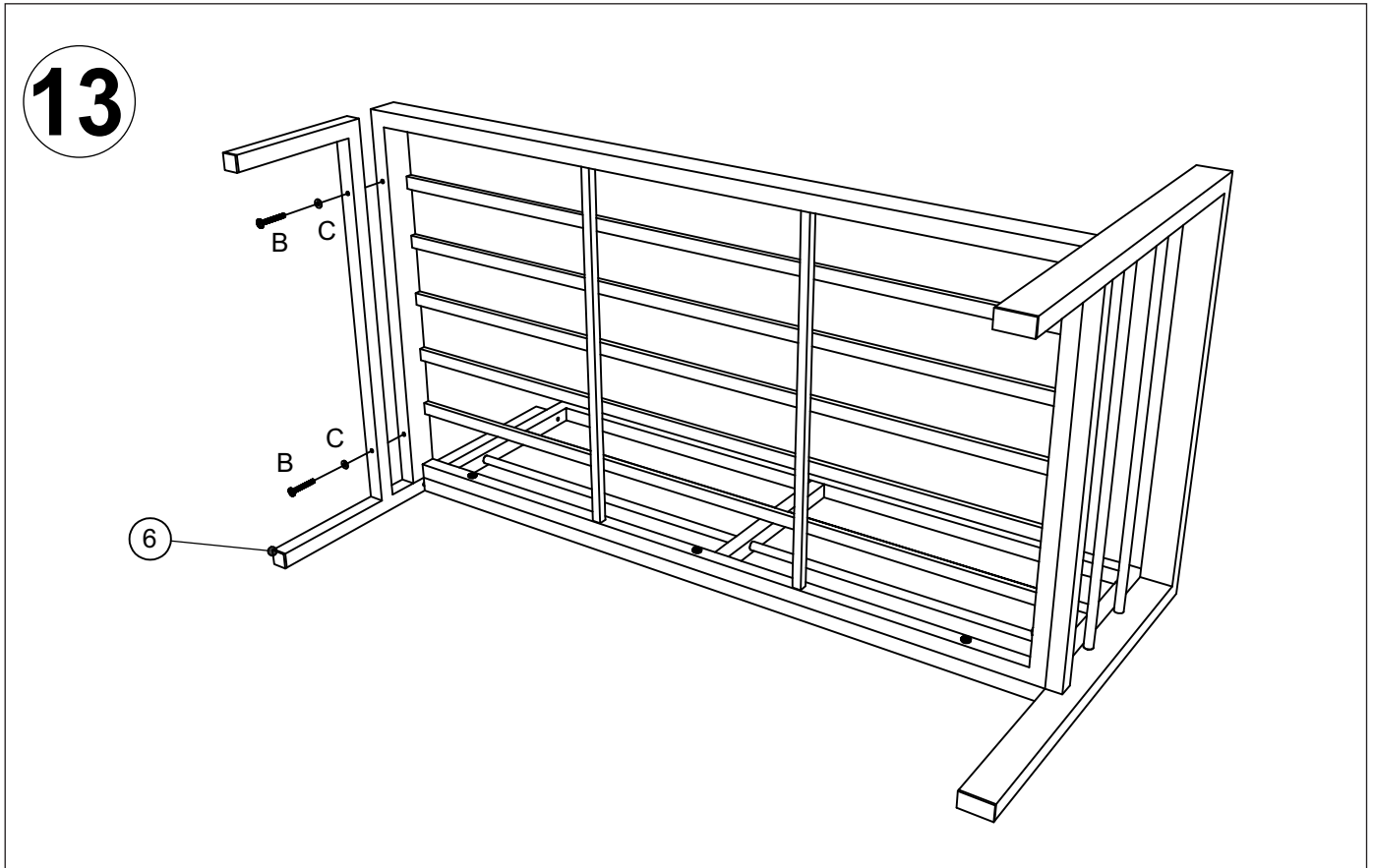
11. Locate the bench 2 seater (7) to the bench 2 backrest (8) by the pre-drilled threads.  
Use Allen Key (E) to tighten Bolts (B) and Washers (C).  
Note: only tighten 80% (Photo 11).



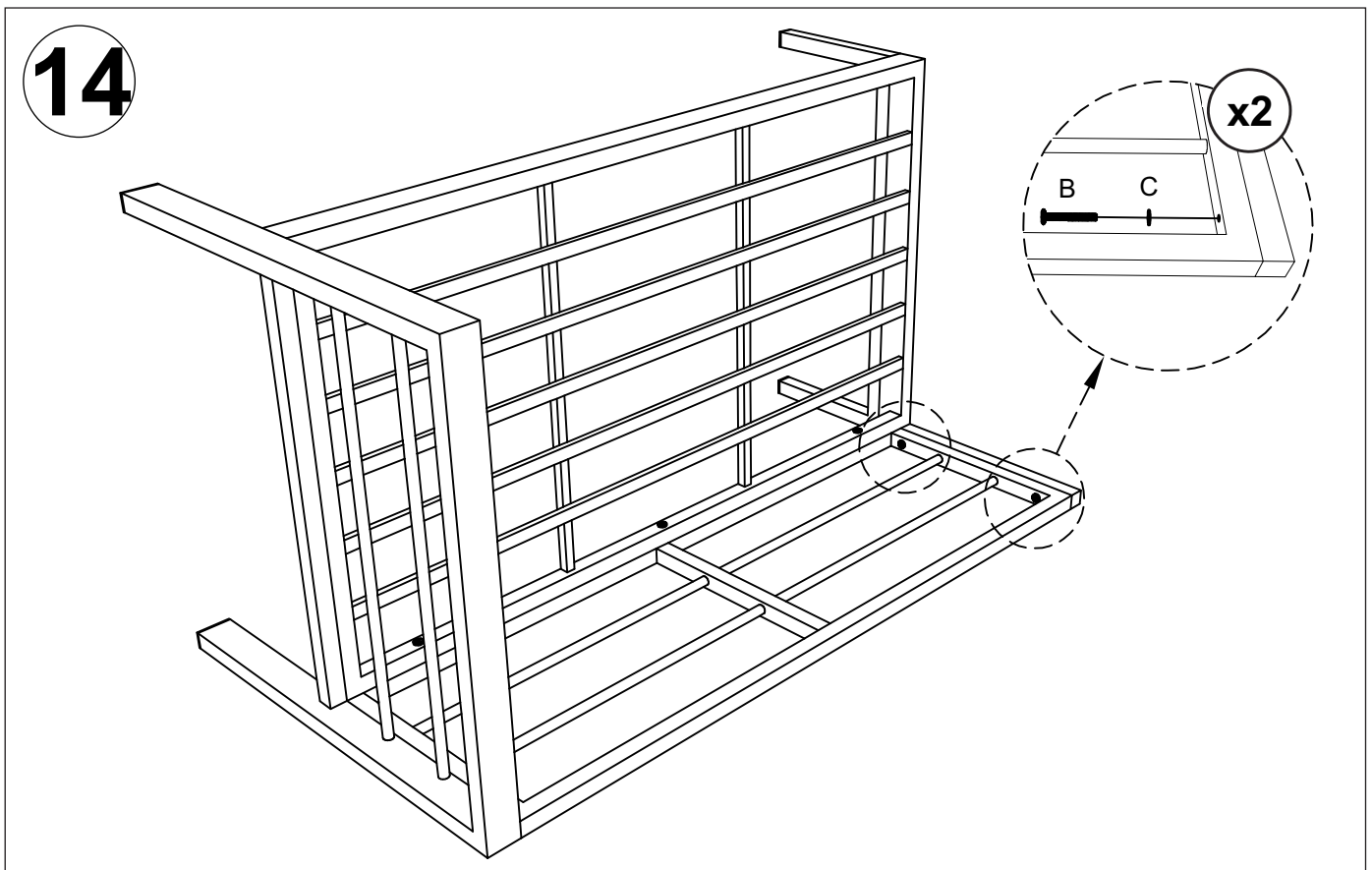
12. Locate the assembly installed in step (11) to the left arm (9) by the pre-drilled threads.  
Use Allen Key (E) to tighten Bolts (B) and Washers (C).  
Note: only tighten 80% (Photo 12).



13. Locate the right leg (6) to the bench 2 seater (7) by the pre-drilled threads.  
Use Allen Key (E) to tighten Bolts (B) and Washers (C).  
Note: only tighten 80% (Photo 13).



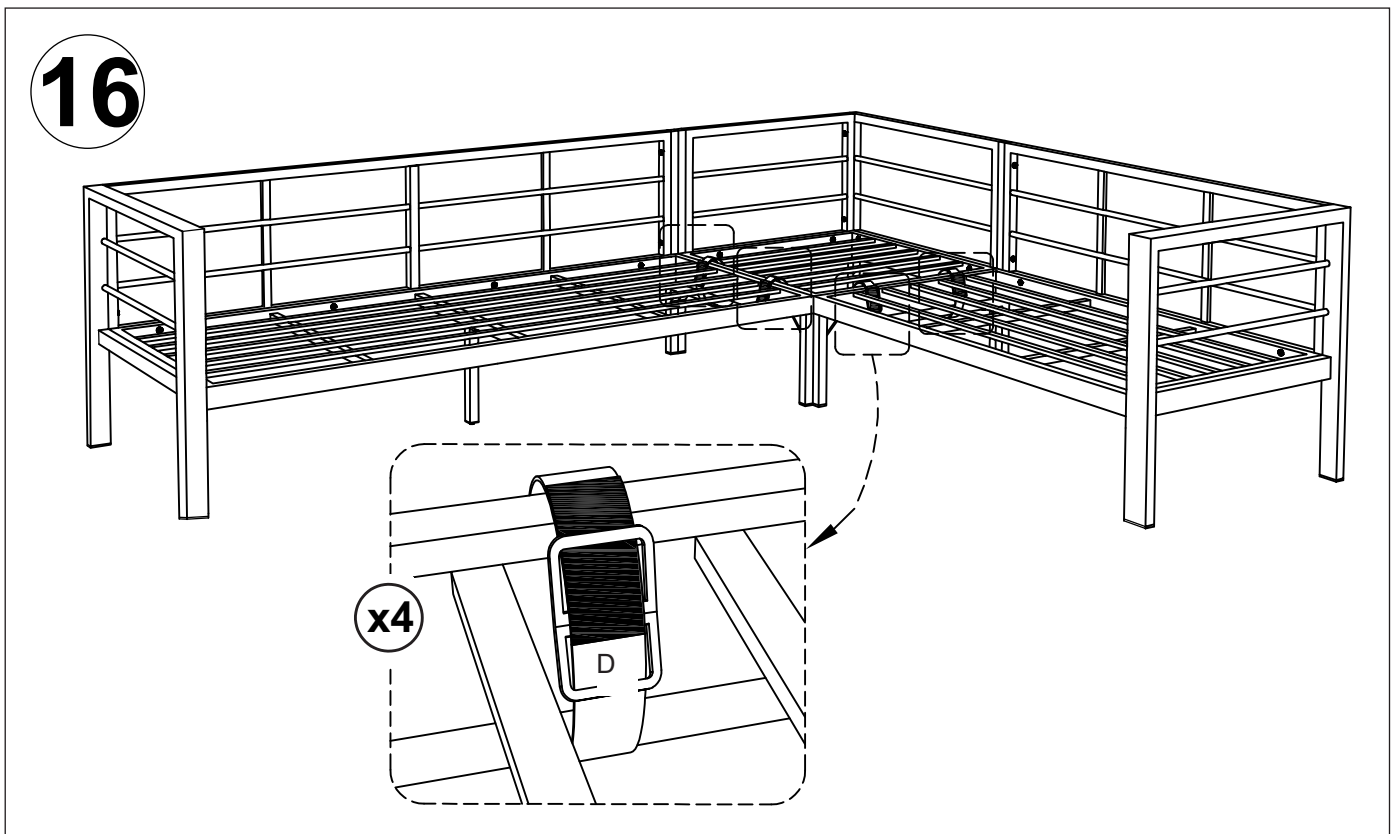
14. Locate the bench 2 backrest (8) to the right leg (6) by the pre-drilled threads.  
Use Allen Key (E) to tighten Bolts (B) and Washers (C).  
Note: only tighten 80% (Photo 4).



15. Use Allen Key (E) to tighten all Bolts 100% (Photo 15).

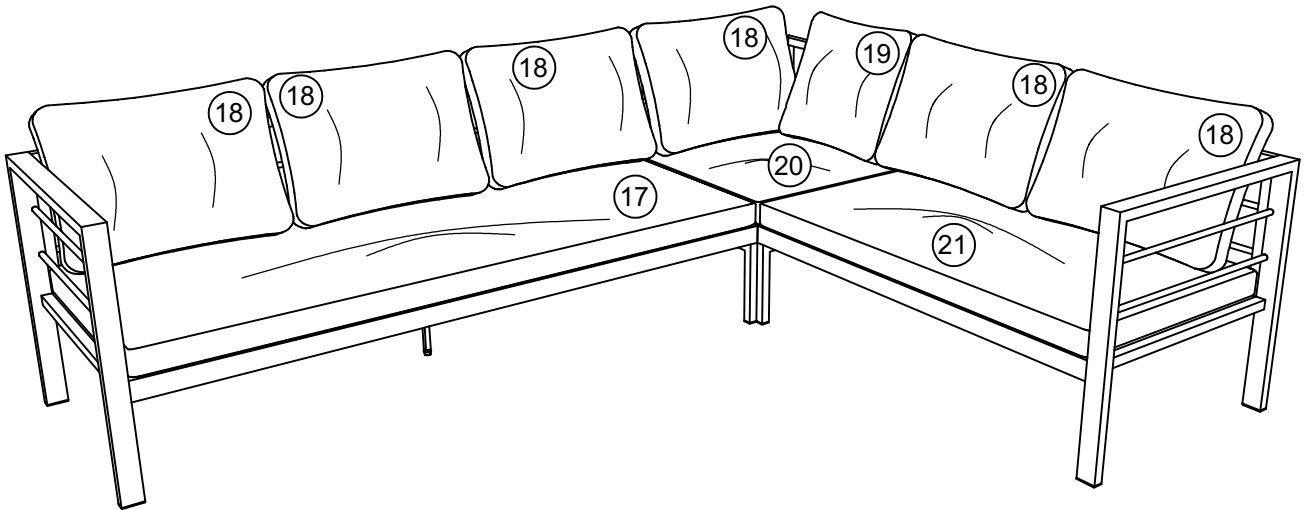


16. Locate Bench 3, Corner chair and Bench 2 with connection wire (D).  
Fixed connection 100% (Photo 16).

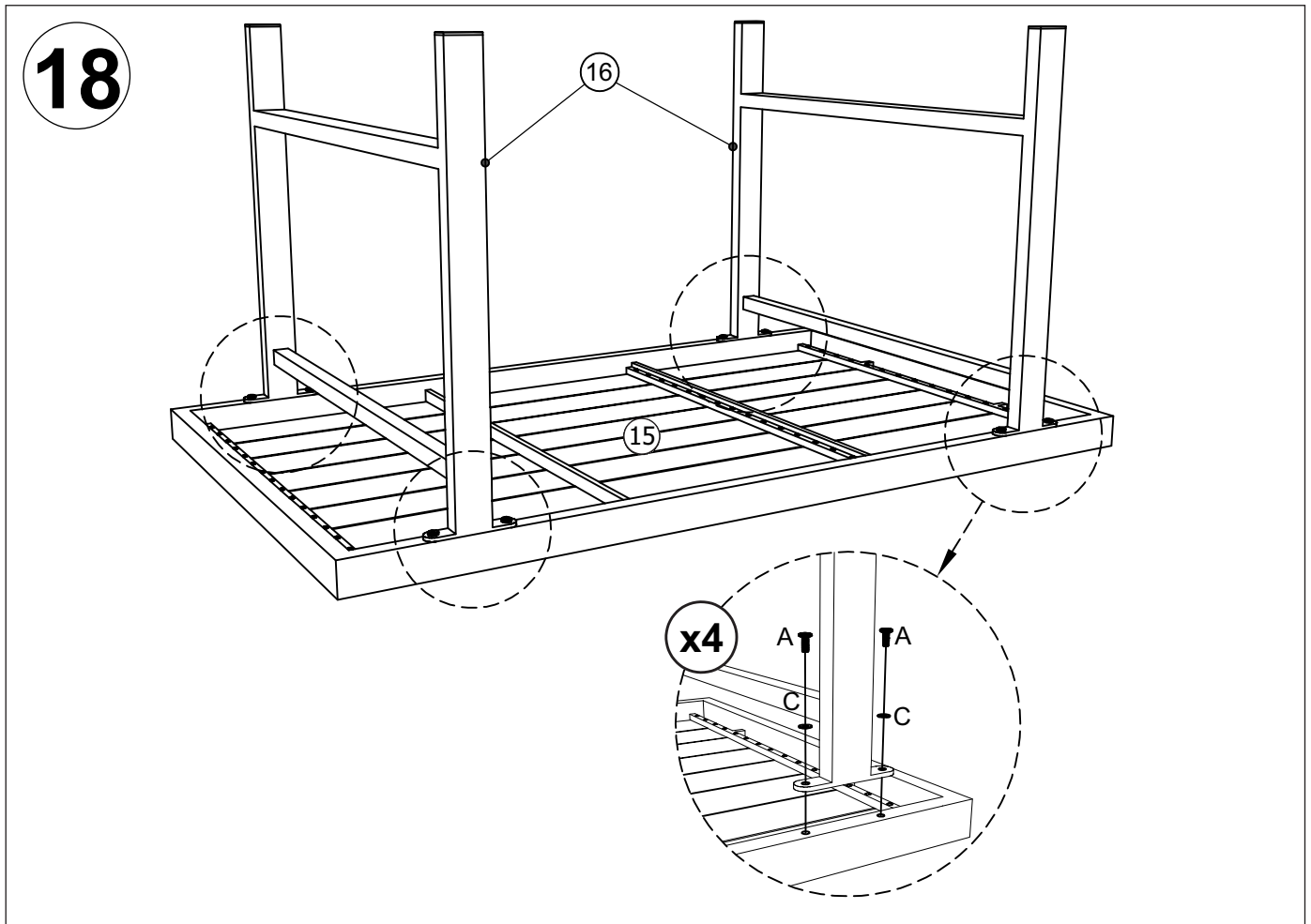


17. Place 3 cushions (17), (20) and (21) on the top seat first, and then place 6 big pillows (18) and 1 small pillow (19) above them (Photo 17).

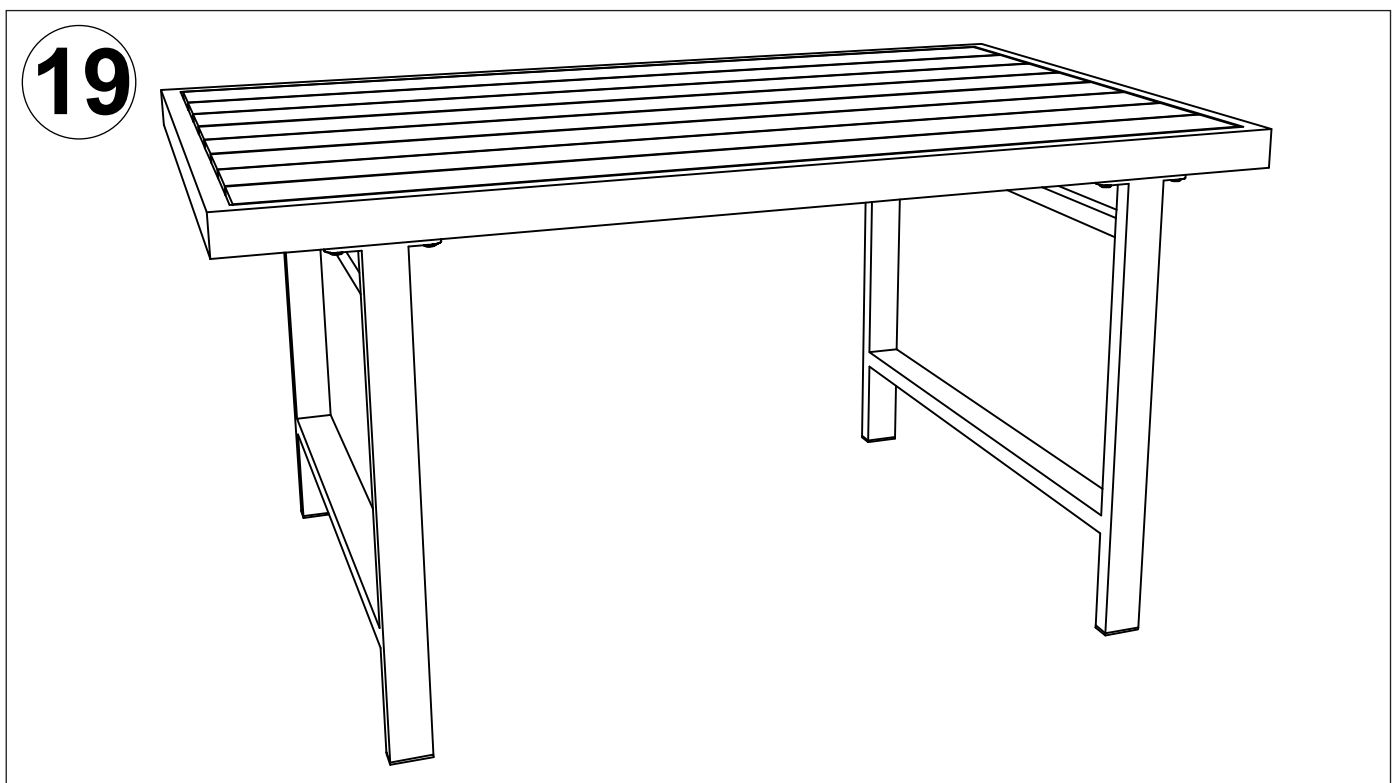
17



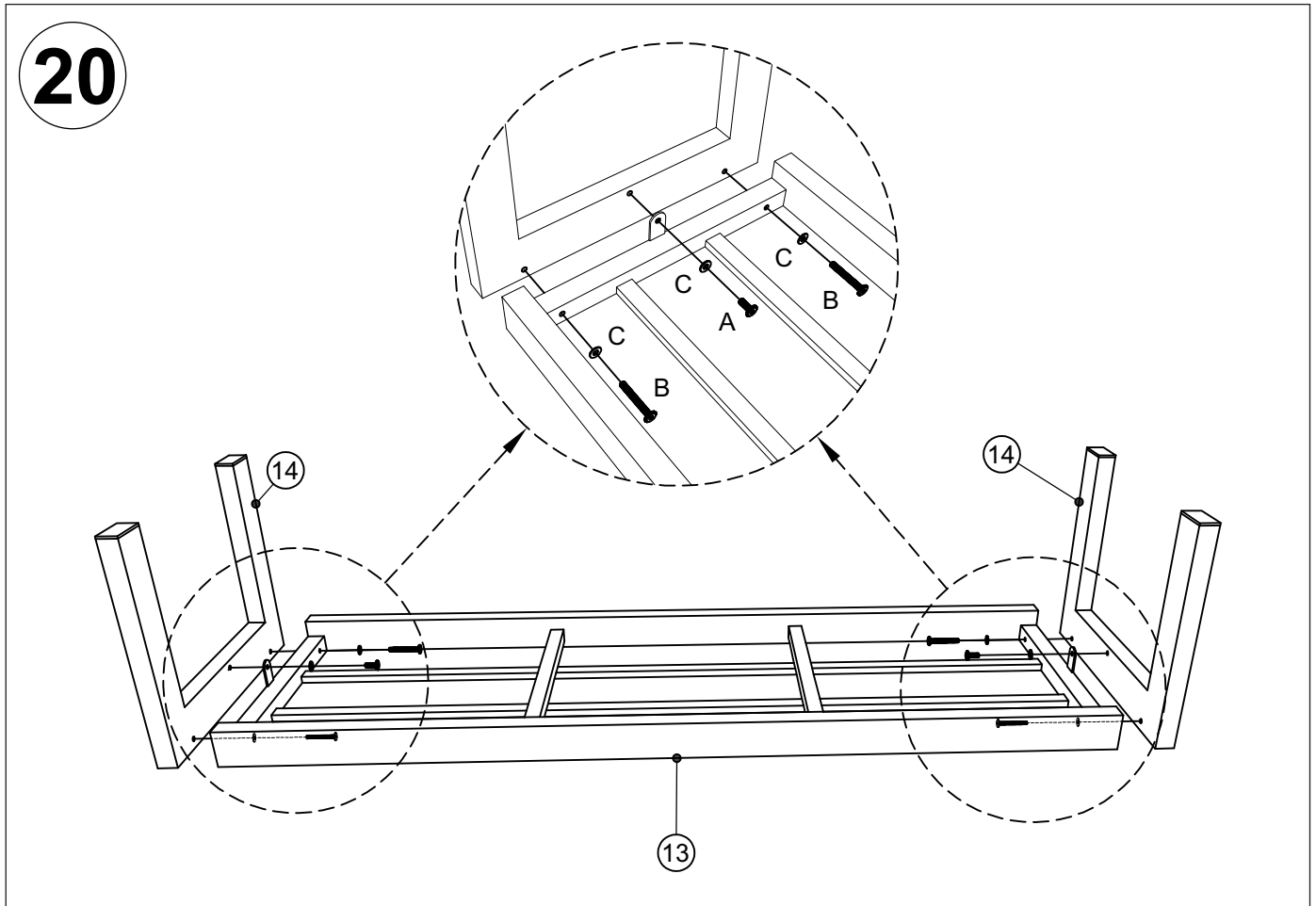
18. Locate 2 table legs (16) to the polywood table top (15) by the pre-drilled threads.  
Use Allen Key (E) to tighten Bolts (A) and Washers (C).  
Fixed all bolts 100% (Photo 18).



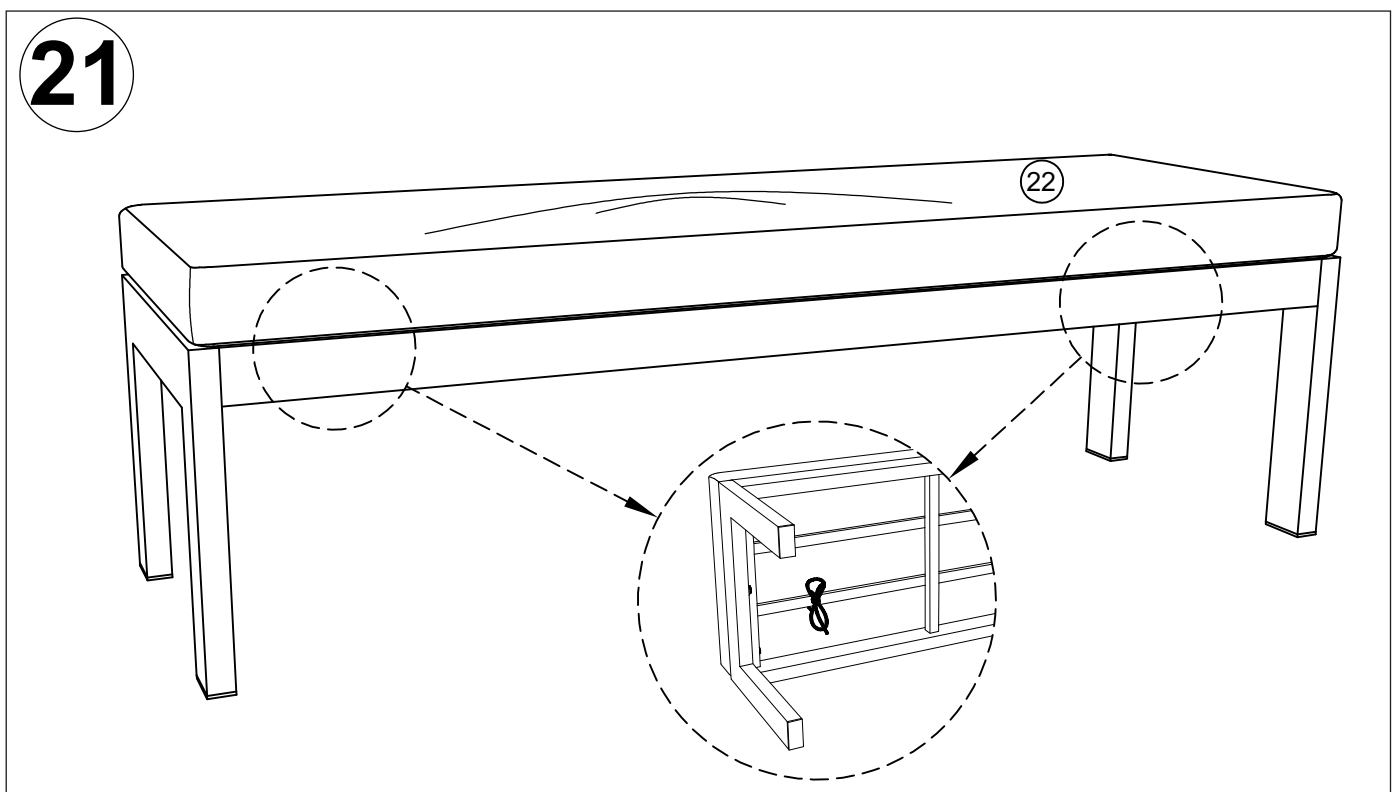
19. Finished table assembly (Photo 19).



20. Locate 2 ottoman legs (14) to ottoman seater (13) by the pre-drilled threads.  
Use Allen Key (E) to tighten Bolts (A), Bolts (B) and Washers (C).  
Fixed all bolts 100% (Photo 20).



21. Place 1 ottoman cushion (22) on the top ottoman seater and tie the string to secure it as shown in the picture (Photo 21).



**Till now you have finished the whole assembly and enjoy your furniture!**