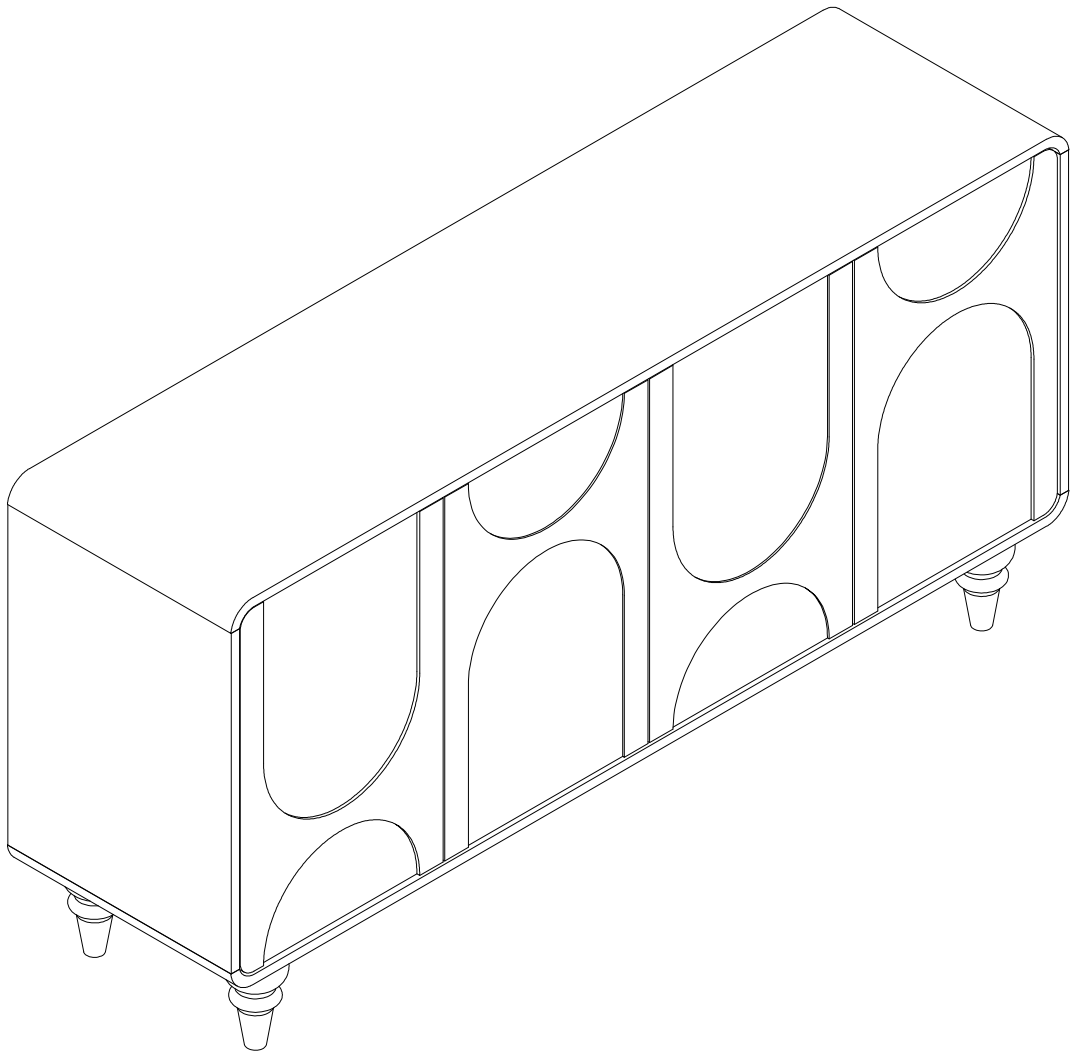


Assembly Instructions

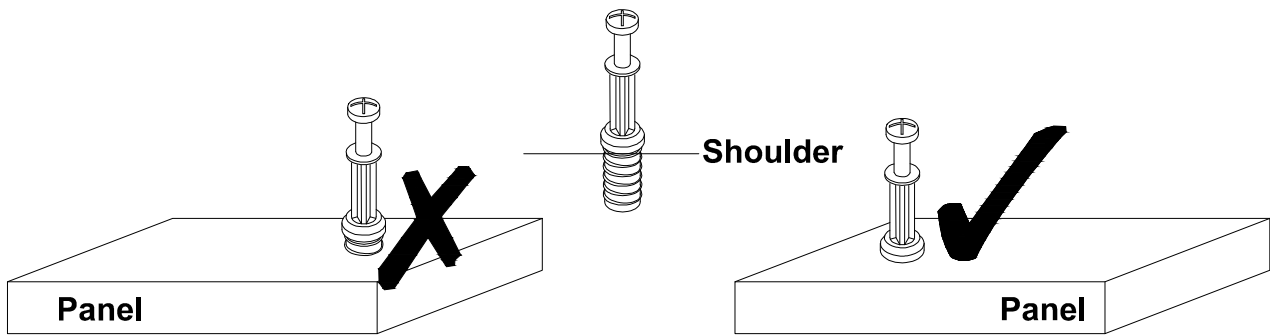


Before Assembly

Tips Before Your Start:

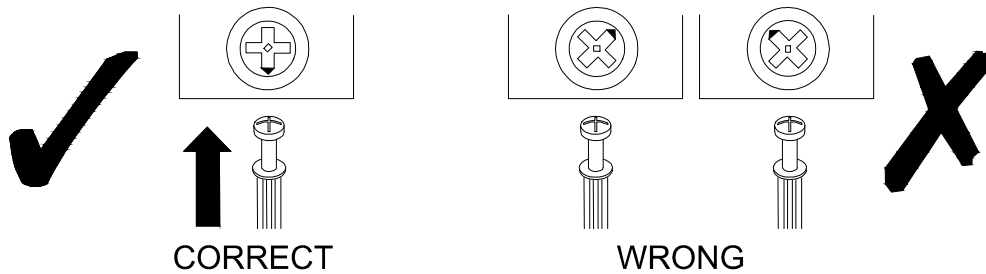
- Remove all wrapping material, including staples & packing straps before you start to assemble.
- DO NOT tighten all screws and bolts until the assembly is completely assembled.
- Keep all hardware parts out of reach of children.

QUICKFIT



Tighten quickfit until shoulder is flush with panel. Do not overtighten or undertighten.

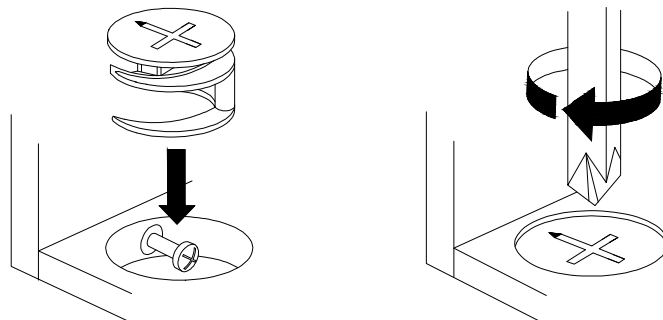
CAM LOCK



When fitting a cam lock, ensure the starting position is correct before inserting the connecting QUI CKFIT




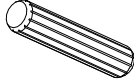
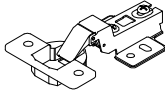
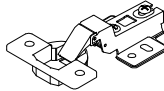
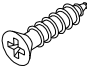
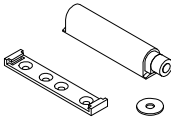

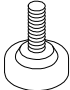
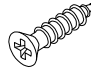
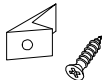
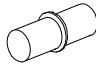
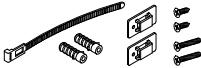
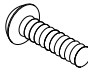
Quickfit head should be in the centre of the cam lock when the two panels are joined.

Cam lock should be inserted before quickfit.

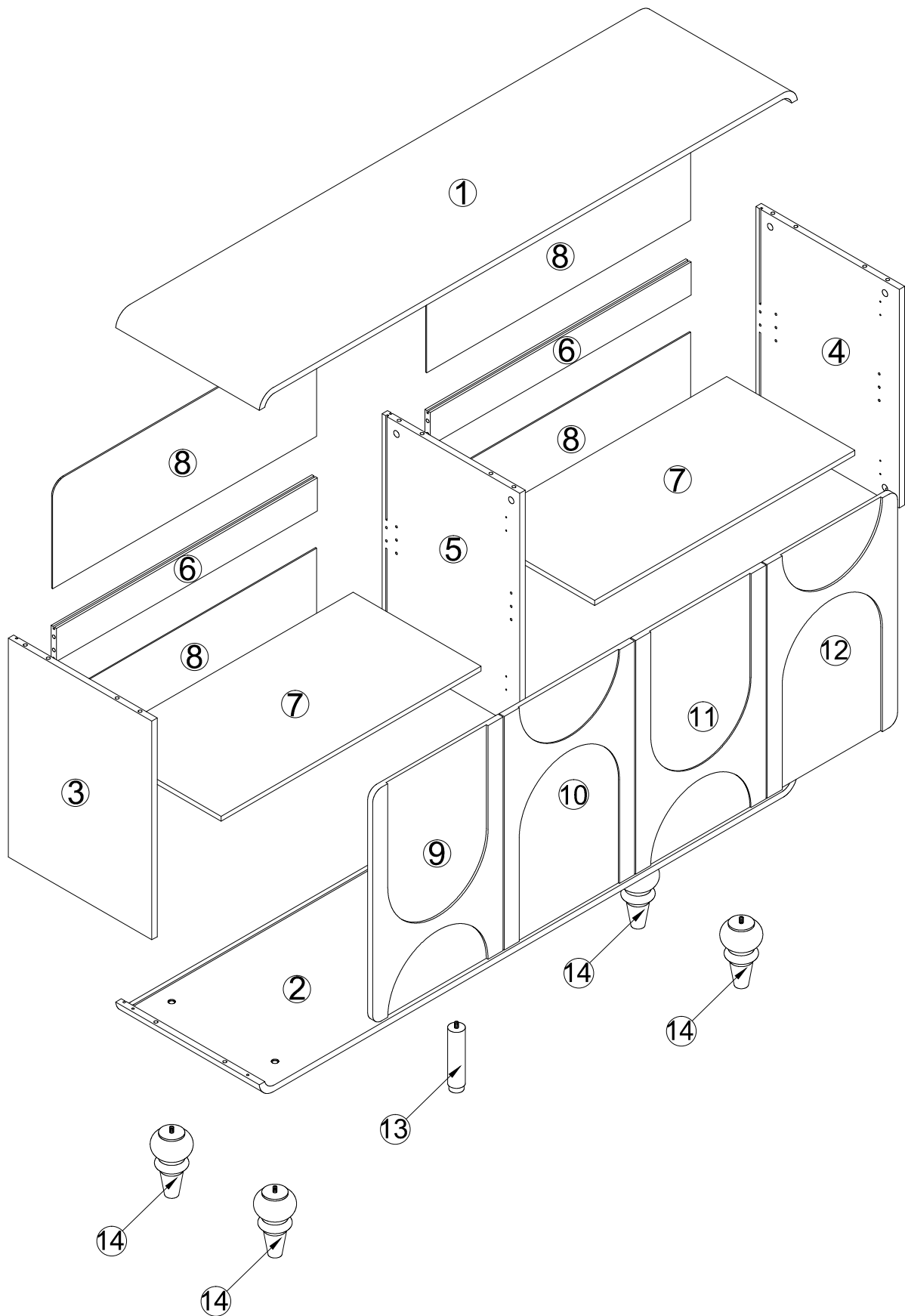


Turn cam lock clockwise to tighten.

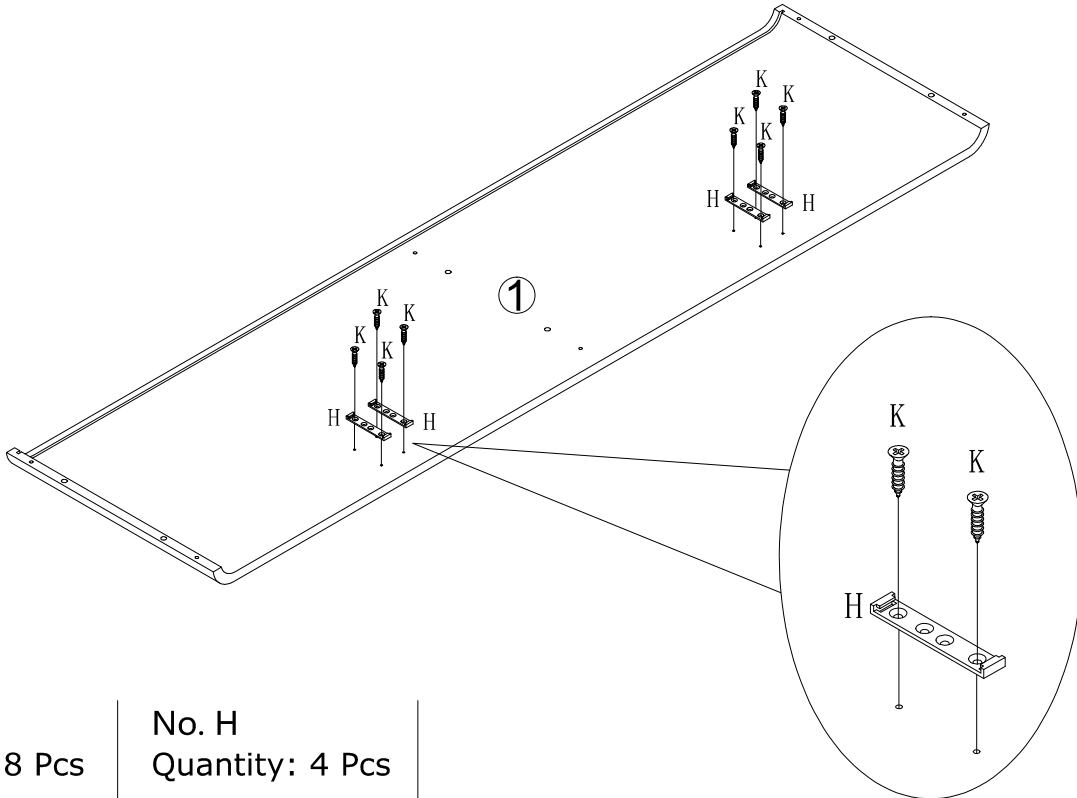
Part List

<p>No. A Quantity:20 Pcs Cam Lock Dowel 8*28mm</p> 	<p>No. B Quantity:20 Pcs Cam φ15</p> 	<p>No. C Quantity:20 Pcs Sticker Ø20</p> 	<p>No. D Quantity:12 Pcs Dowel 8*30mm</p> 
<p>No. E Quantity:4 Pcs Large curved door hinge</p> 	<p>No. F Quantity:4 Pcs Mid bend door hinge</p> 	<p>No. G Quantity:32 Pcs Screw M3.5*14mm</p> 	<p>No. H Quantity:4 Sets Cabinet Door Rebounder</p> 
<p>No. I Quantity:4 Pcs Slip Mat Ø20</p> 	<p>No. J Quantity:1 Pcs Adjust The Foot</p> 	<p>No. K Quantity:12 Pcs Screw M3*12mm</p> 	<p>No. L Quantity:16 Sets Plastic Wedge</p> 
<p>No. M Quantity:8 Pcs Shelf Support M5*15mm</p> 	<p>No. N Quantity:2 Sets Anti-falling Parts</p> 	<p>No. O Quantity:16 Pcs Screw M4*12mm</p> 	

Product structure



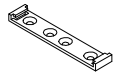
STEP 1



No. K
Quantity: 8 Pcs
M3*12mm

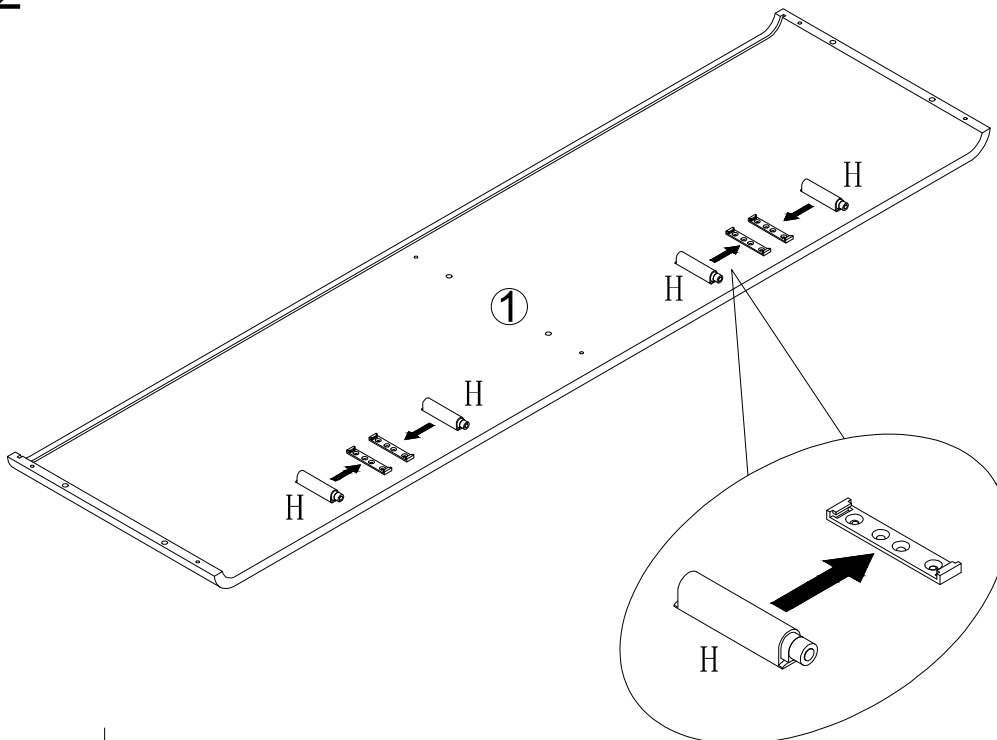


No. H
Quantity: 4 Pcs

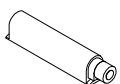


Note: Please distinguish the numbering of the screws.

STEP 2

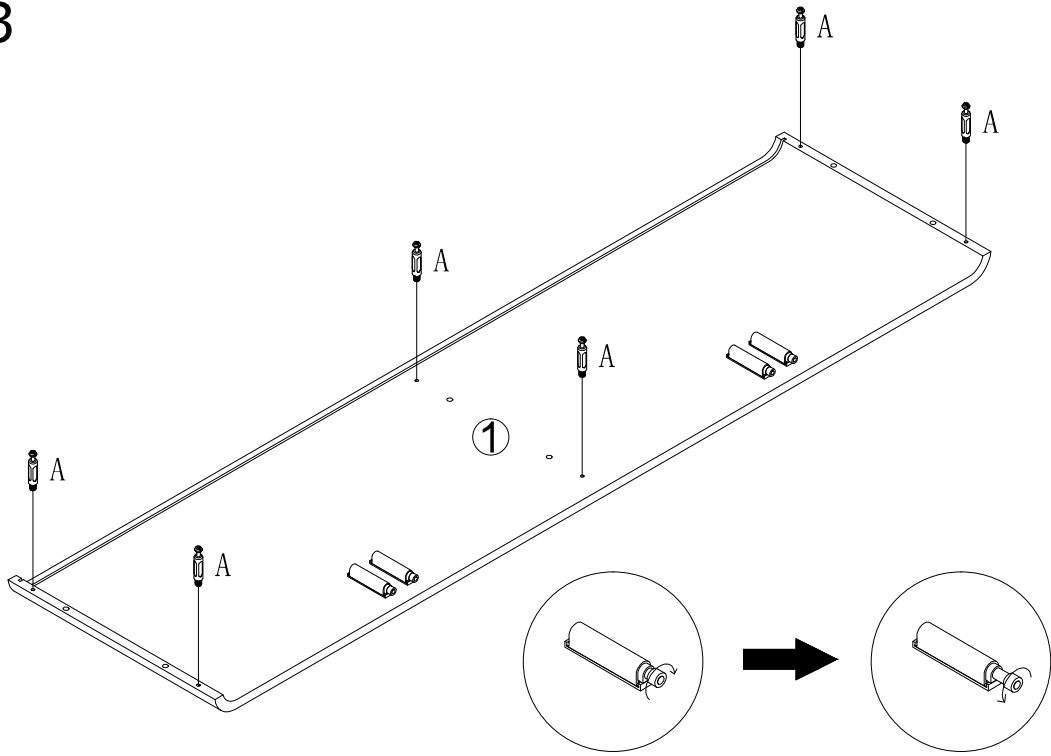


No. H
Quantity: 4 Pcs



Note: Push the accessory into the card slot to complete the installation.

STEP 3

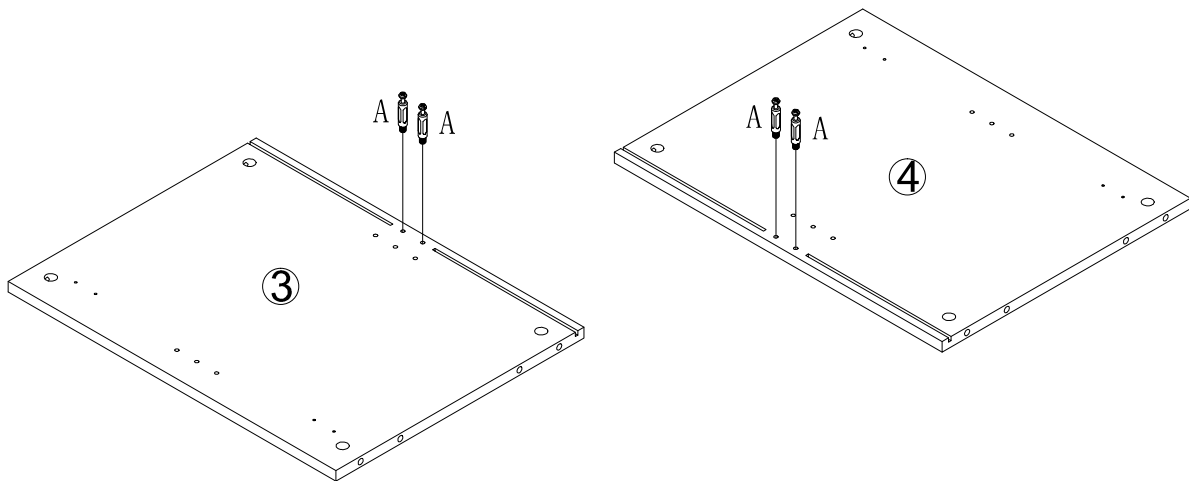


No. A
Quantity: 6 Pcs
8*28 mm



Note: The hardware can be rotated to adjust the length here. If the cabinet body is assembled and the door panel is recessed or protruding, it be adjusted by turning.

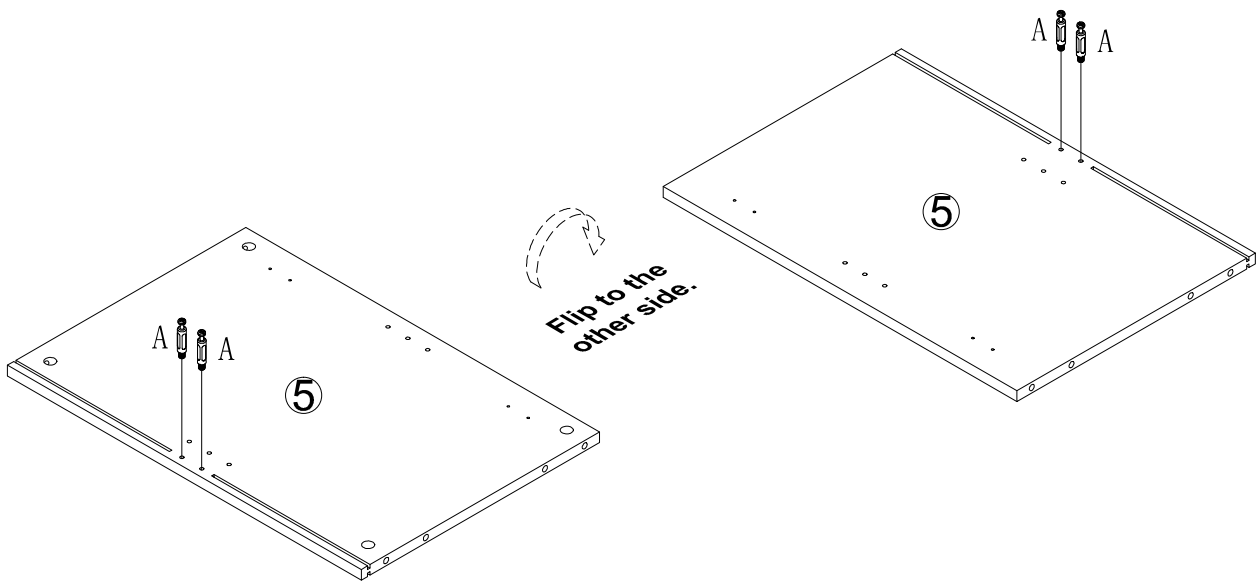
STEP 4



No. A
Quantity: 4 Pcs
8*28 mm



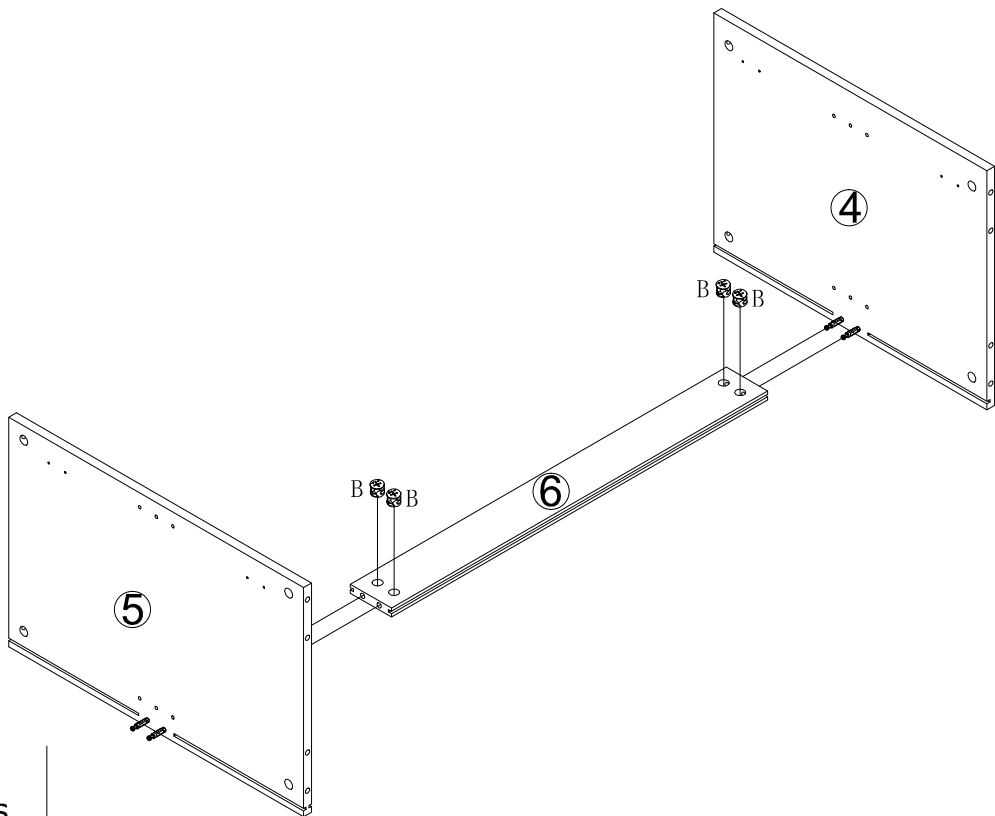
STEP 5



No. A
Quantity: 4 Pcs
8*28 mm



STEP 6

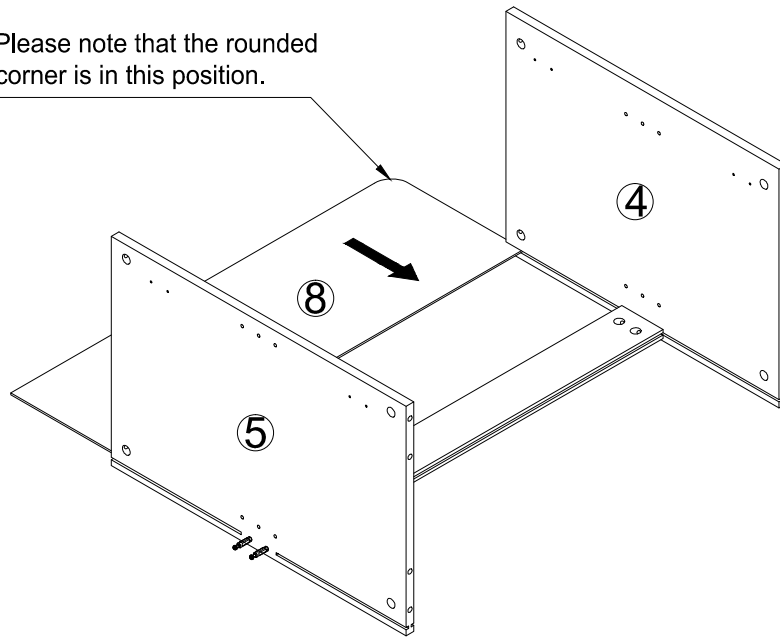


No. B
Quantity: 4 Pcs
Ø15

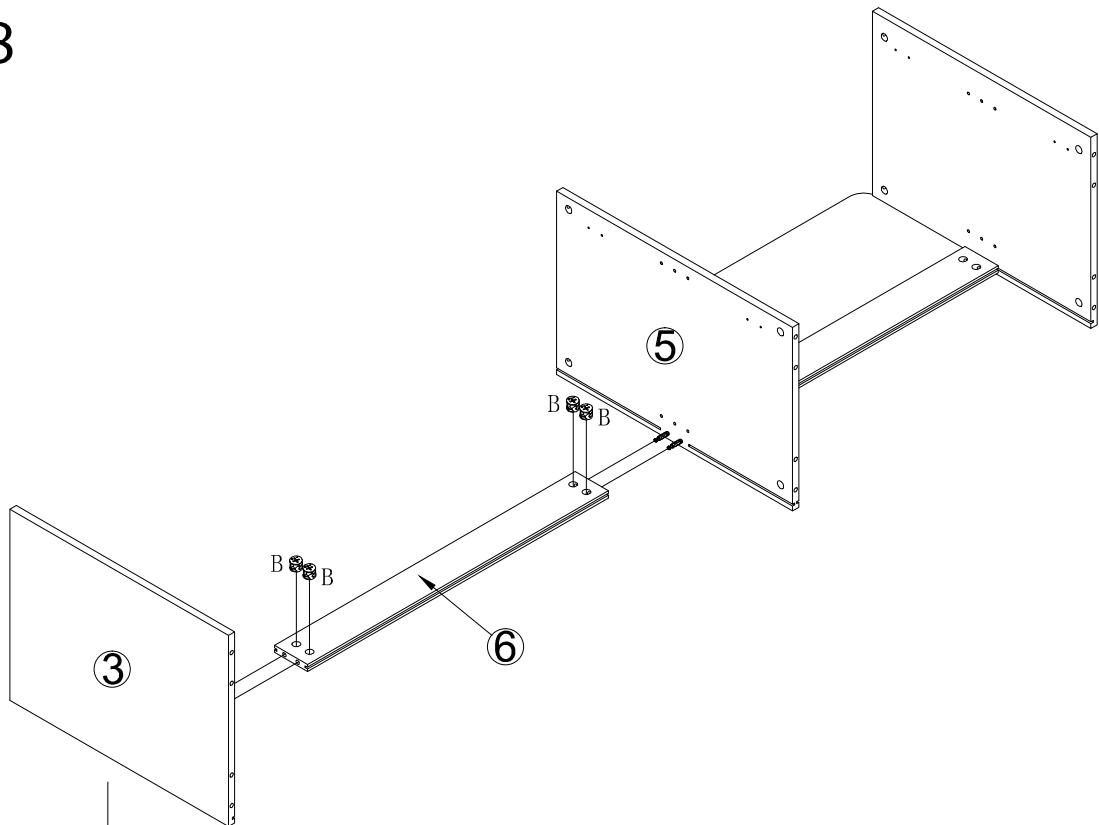


STEP 7

Please note that the rounded corner is in this position.



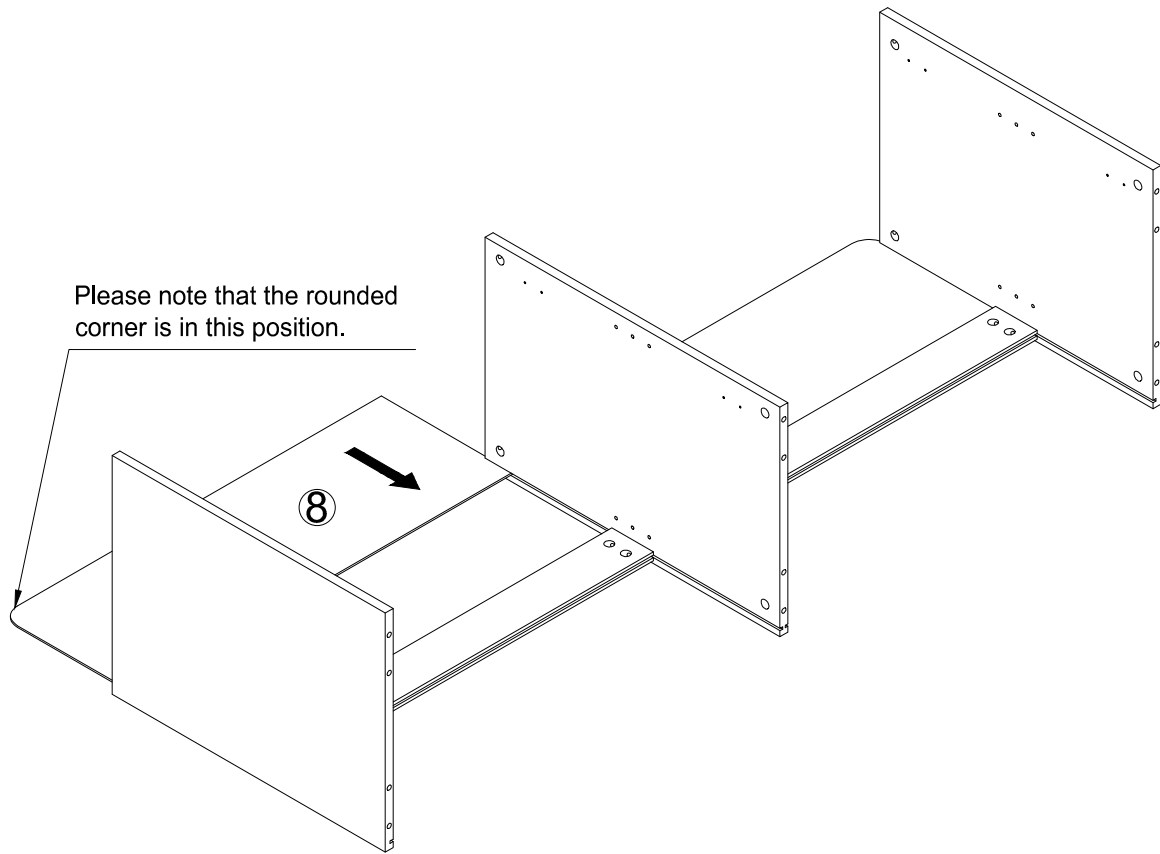
STEP 8



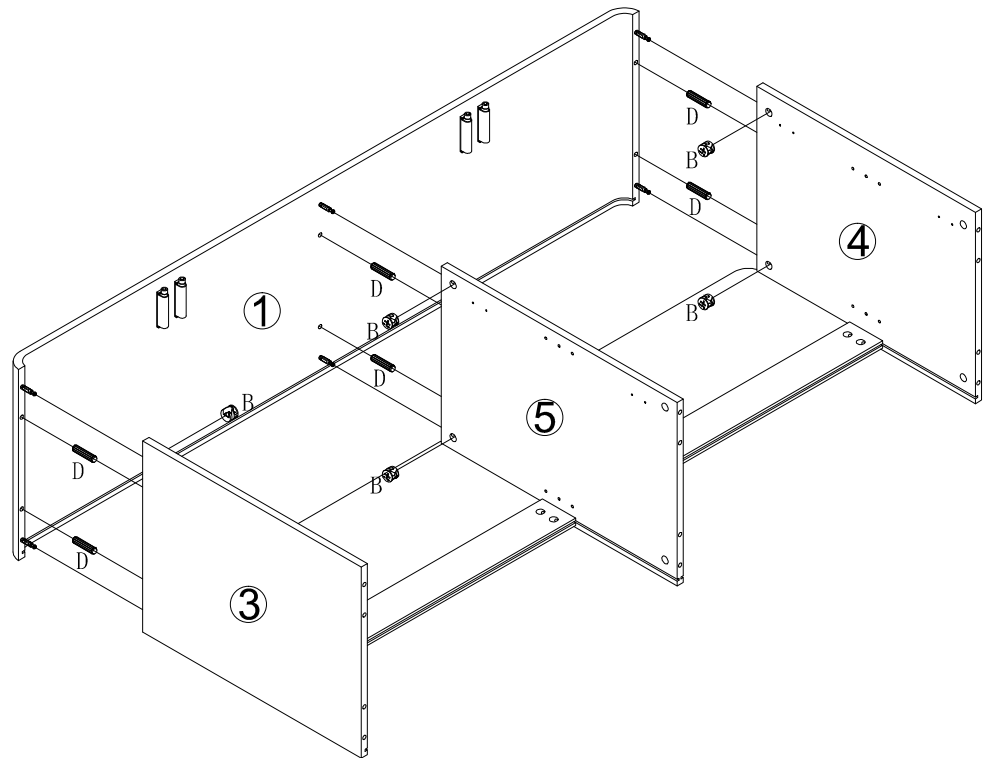
No. B
Quantity: 4 Pcs
Ø15



STEP 9



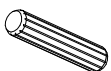
STEP 10



No. B
Quantity: 6 Pcs
Ø15

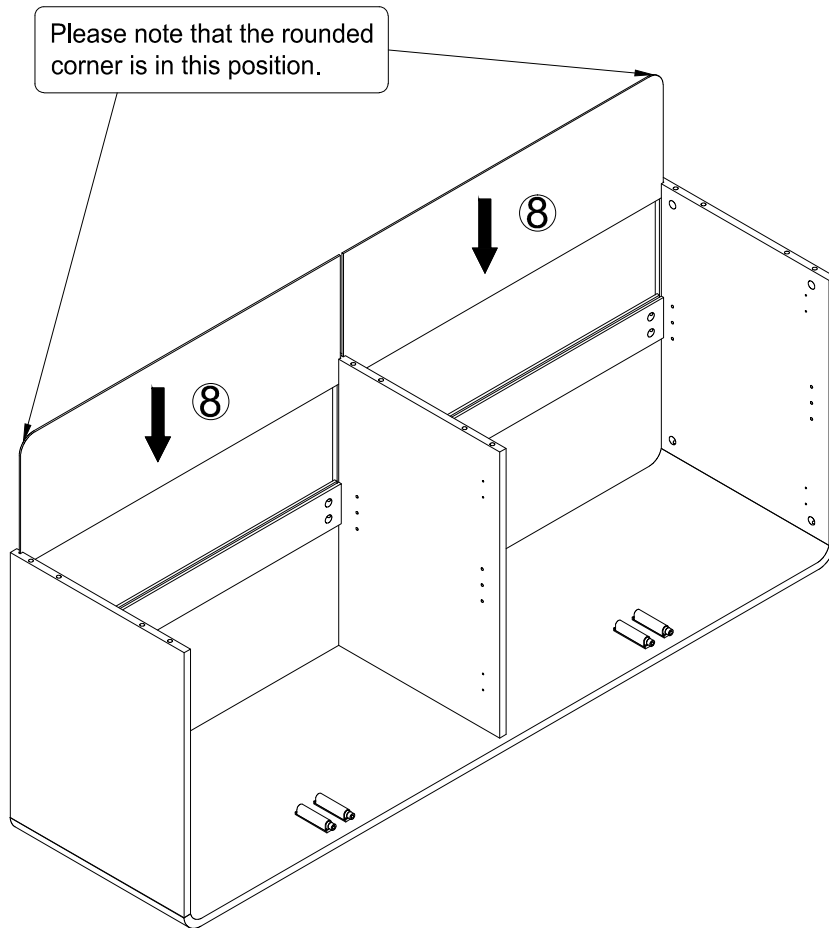


No. D
Quantity: 6 Pcs
8*30mm

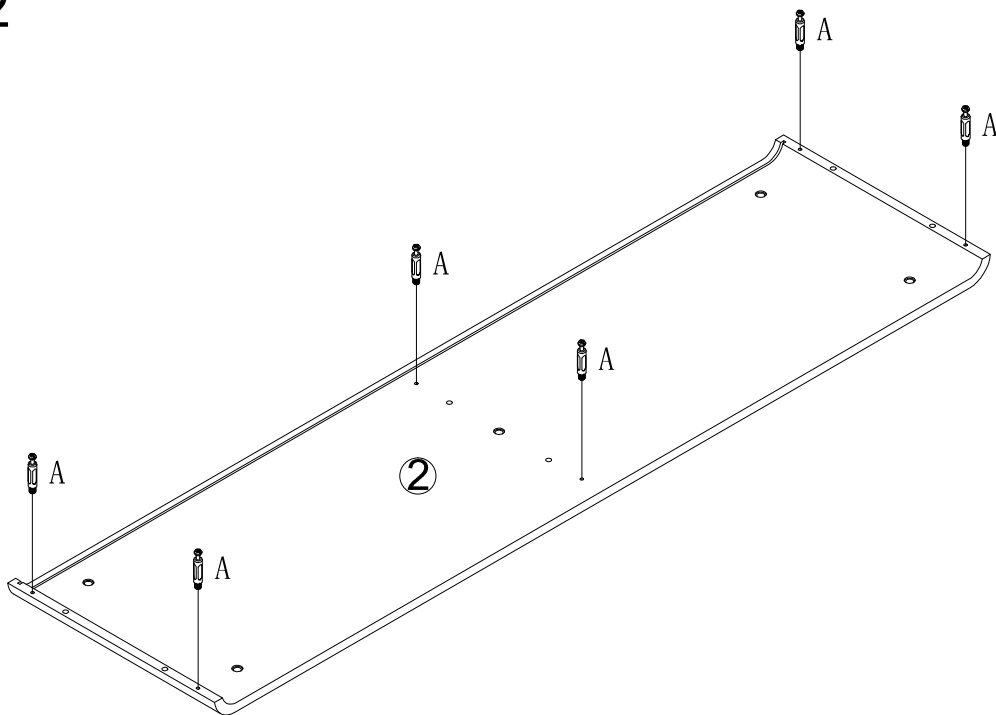


STEP 11

Please note that the rounded corner is in this position.



STEP 12



No. A
Quantity: 6 Pcs
8*28 mm

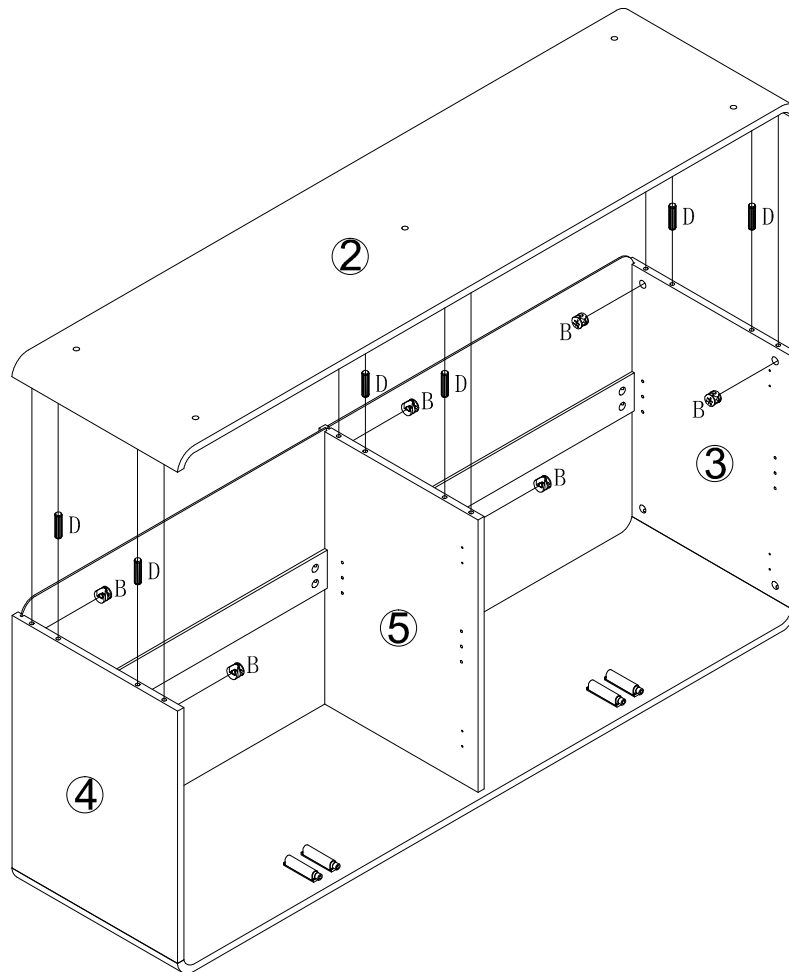
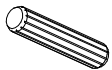


STEP 13

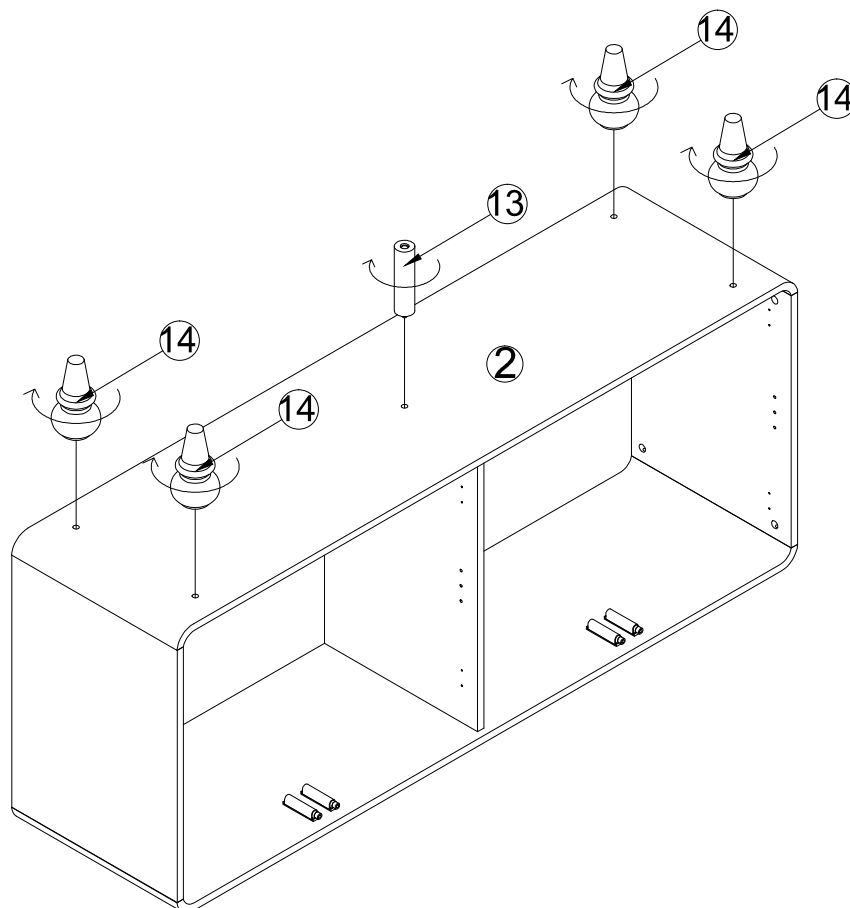
No. B
Quantity: 6 Pcs
Ø15



No. D
Quantity: 6 Pcs
8*30mm



STEP 14

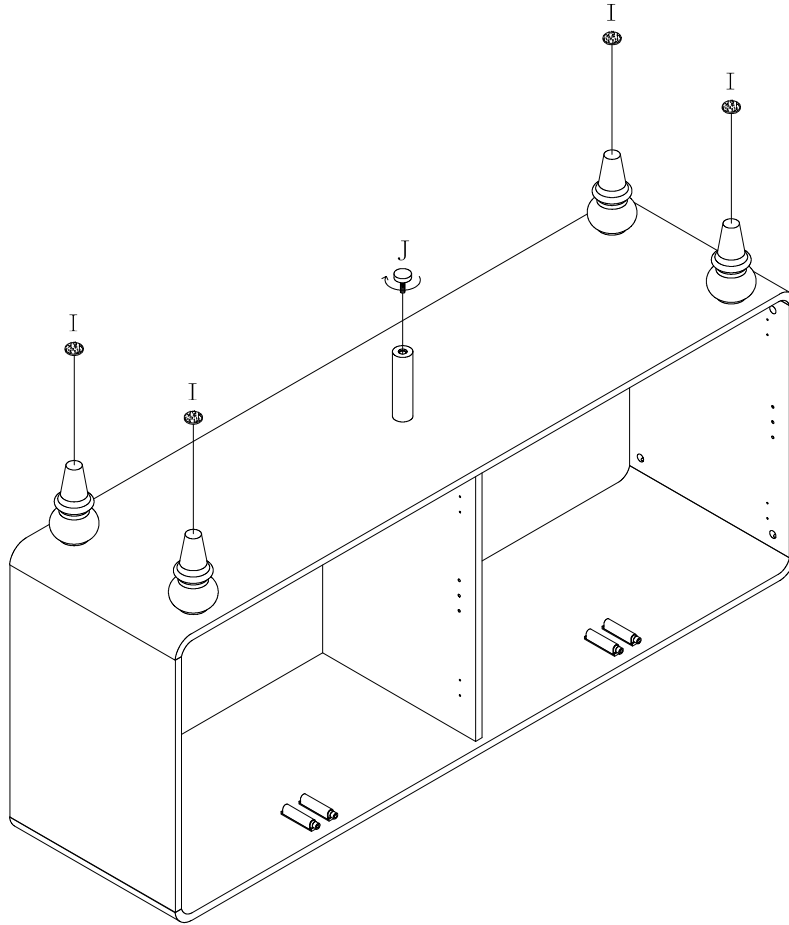


STEP 15

No. I
Quantity: 4 Pcs
Ø20

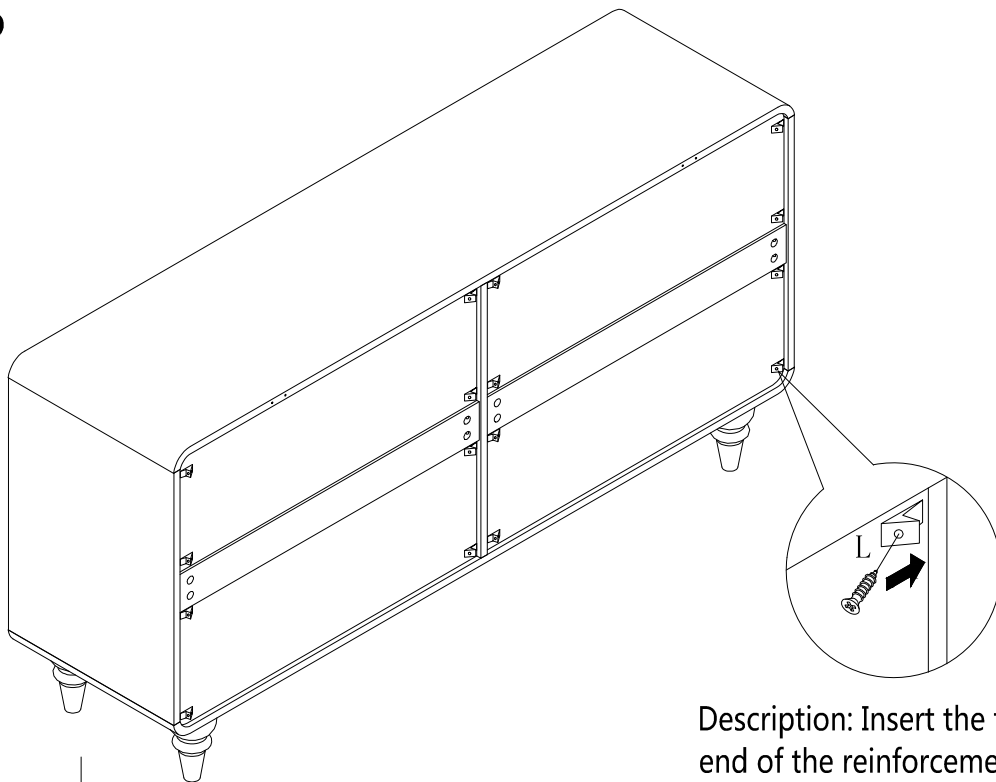
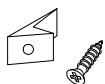


No. J
Quantity: 1 Pcs



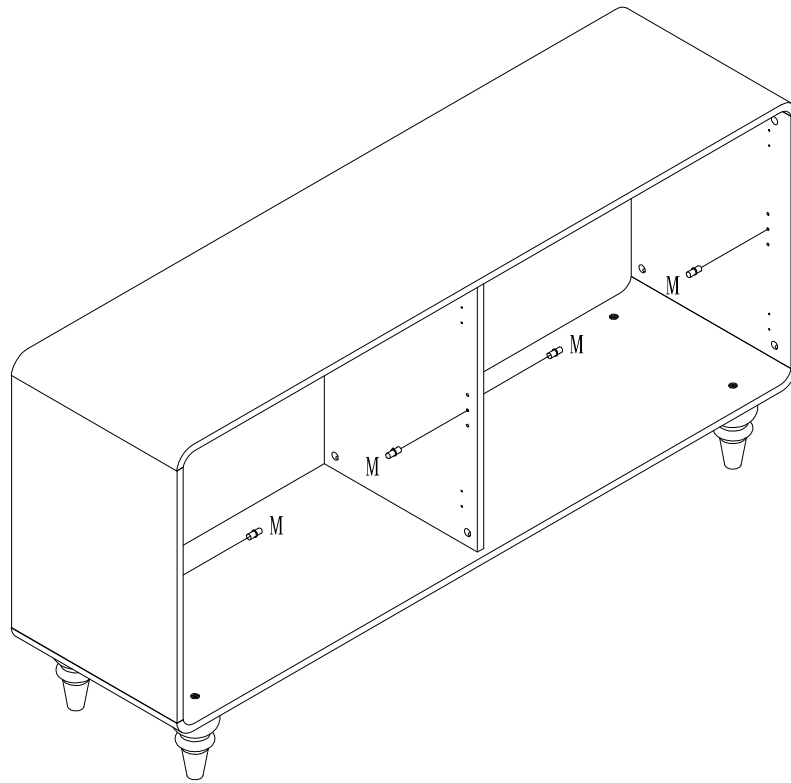
STEP 16

No. L
Quantity: 16 Sets



Description: Insert the thinner end of the reinforcement into the gap in this back panel, then tighten the screws. This will make the cabinet more stable.

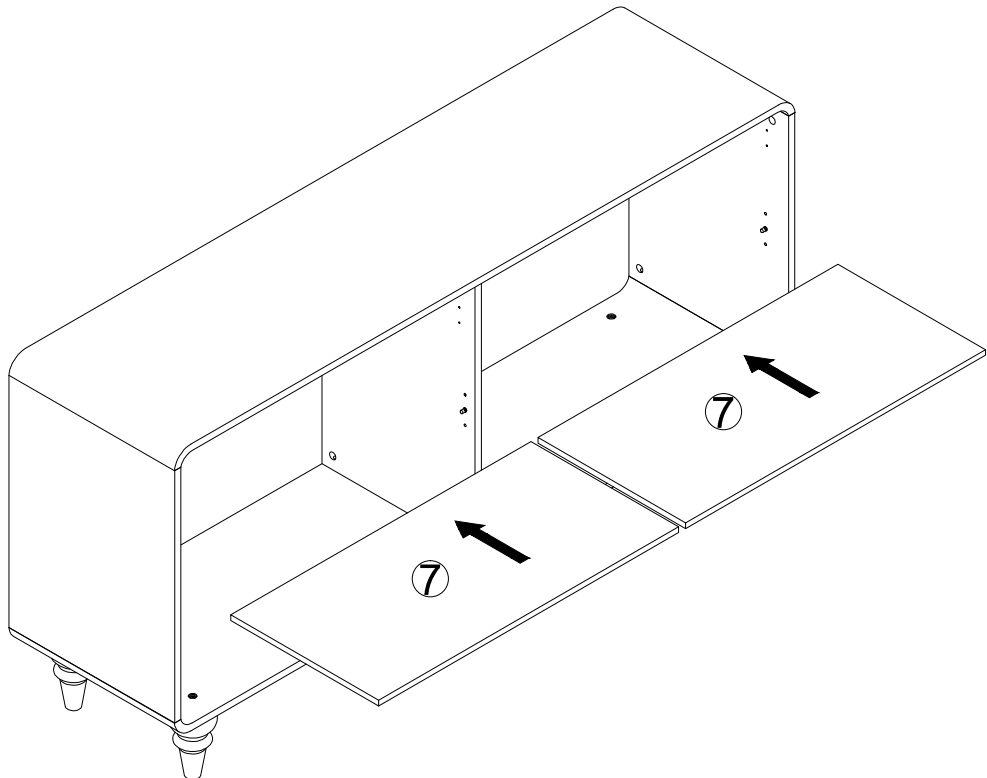
STEP 17



No. M
Quantity: 8 Pcs
M5*15mm

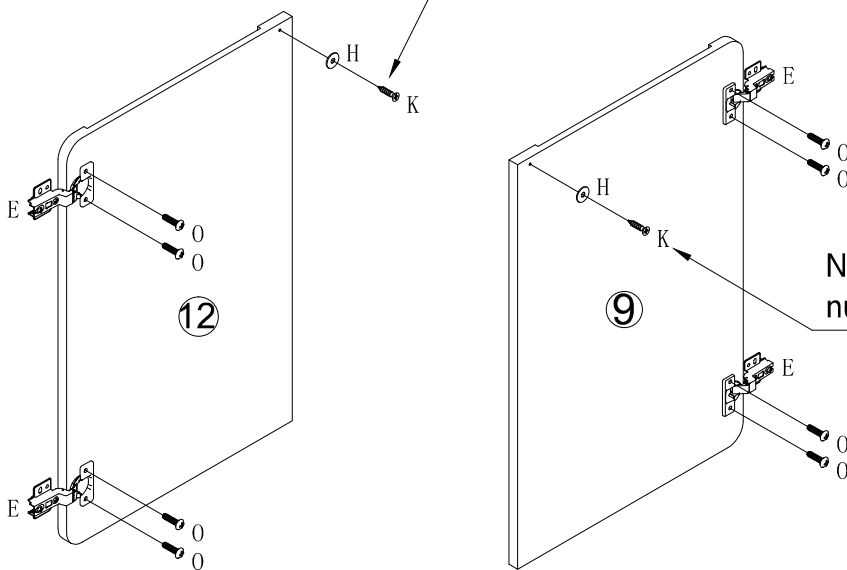


STEP 18



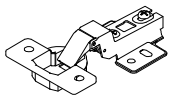
STEP 19

Note: Please distinguish the numbering of the screws.



Note: Please distinguish the numbering of the screws.

No. E
Quantity: 4 Pcs



No. O
Quantity: 8 Pcs
M4*12mm



No. H
Quantity: 2 Pcs

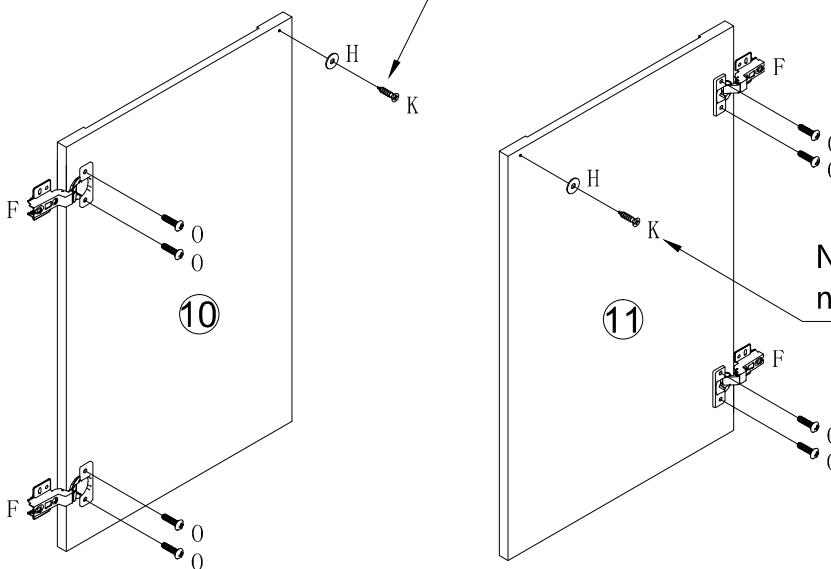


No. K
Quantity: 2 Pcs
M3*12mm



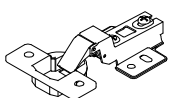
STEP 20

Note: Please distinguish the numbering of the screws.



Note: Please distinguish the numbering of the screws.

No. F
Quantity: 4 Pcs



No. O
Quantity: 8 Pcs
M4*12mm



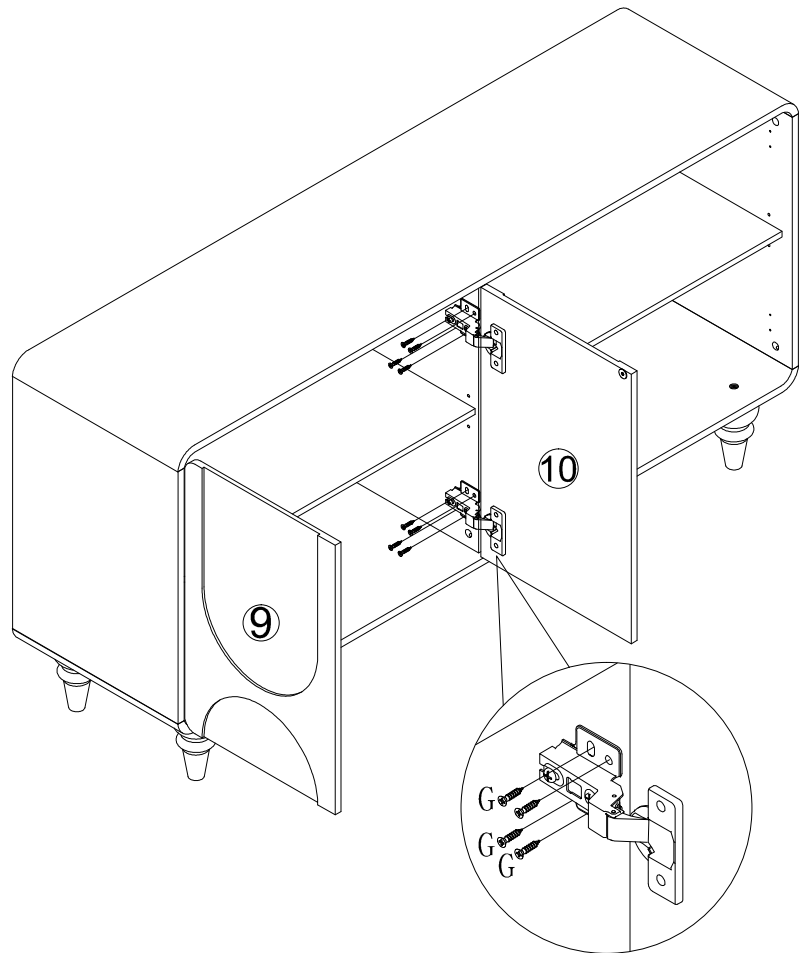
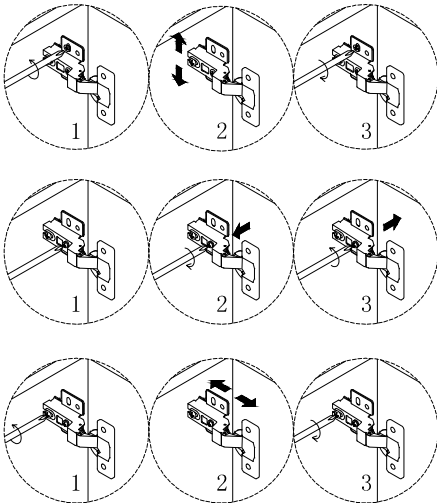
No. H
Quantity: 2 Pcs



No. K
Quantity: 2 Pcs
M3*12mm



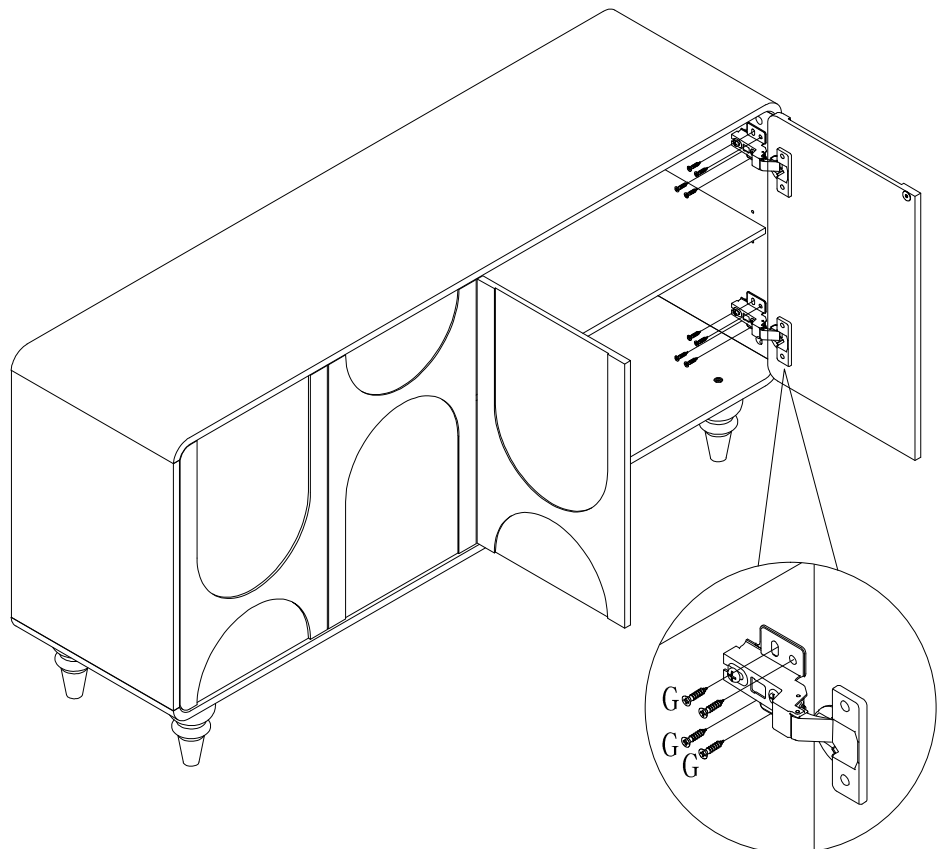
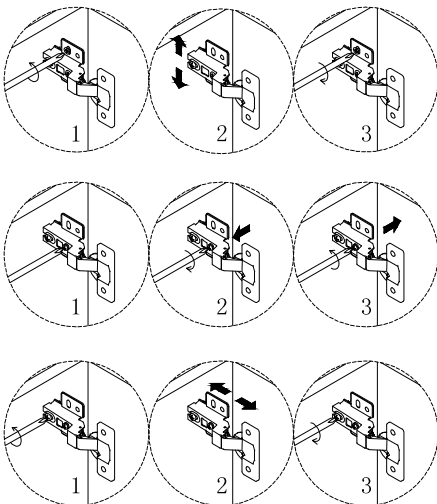
STEP 21



No. G
Quantity: 16 Pcs
M3.5*14mm



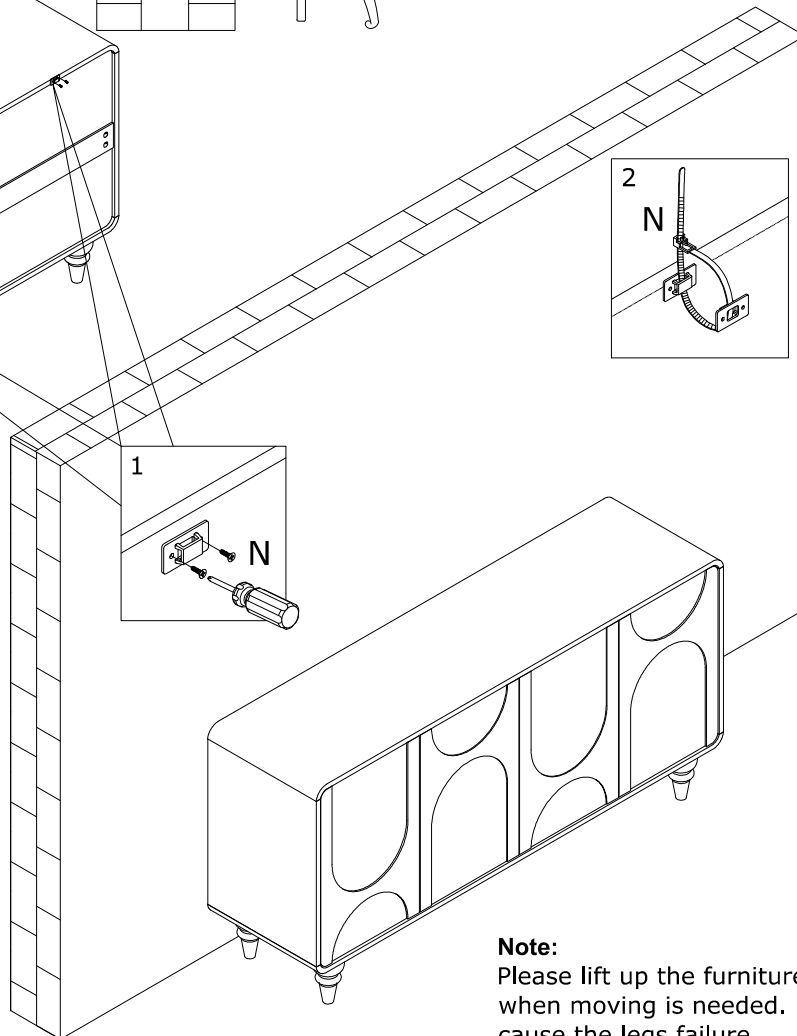
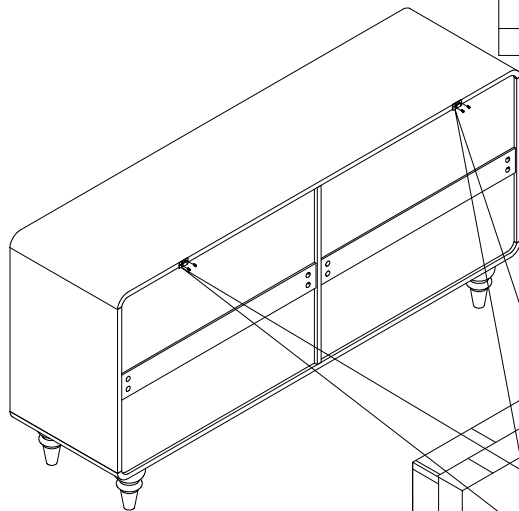
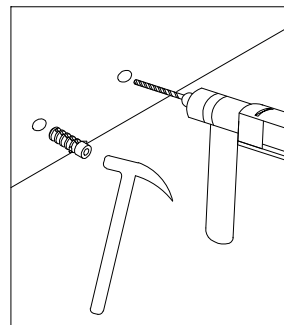
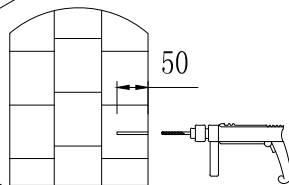
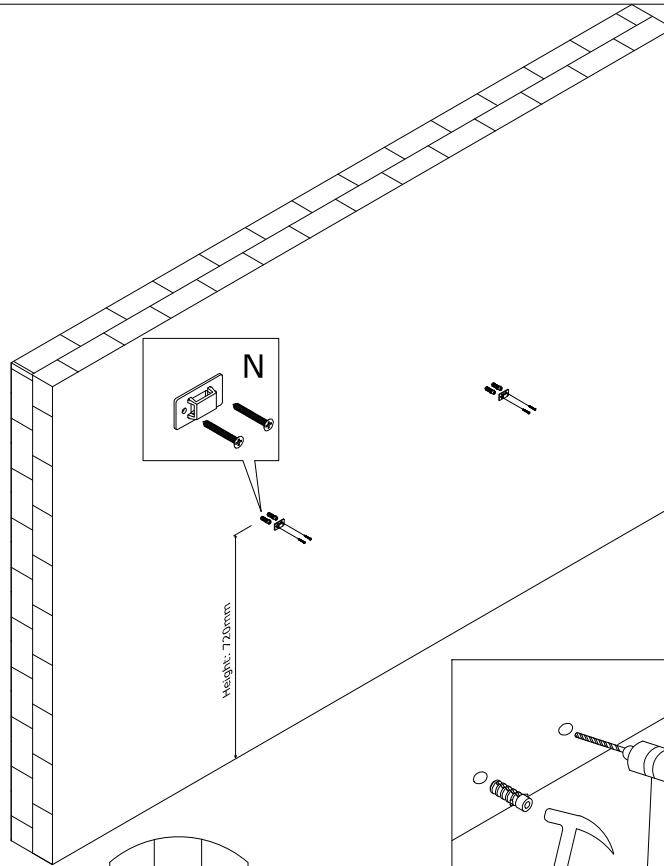
STEP 22



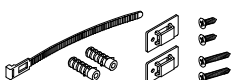
No. G
Quantity: 16 Pcs
M3.5*14mm



STEP 23



No. N
Quantity: 2 Sets



Note:
Please lift up the furniture by two people when moving is needed. Dragging may cause the legs failure.