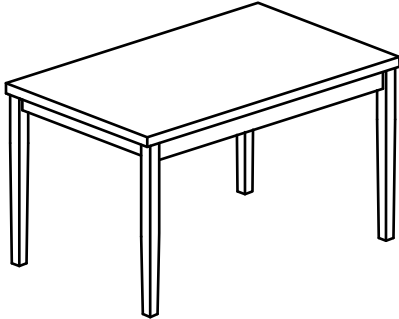


ASSEMBLY INSTRUCTION

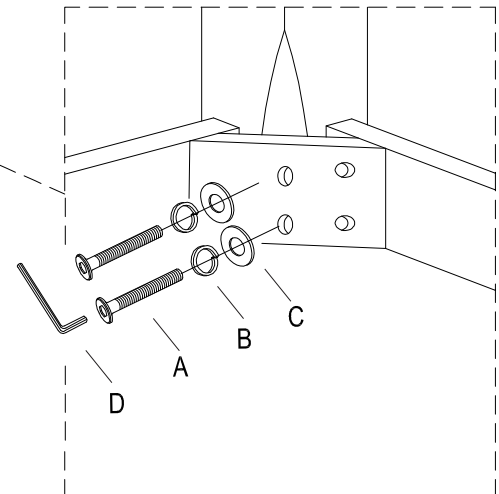
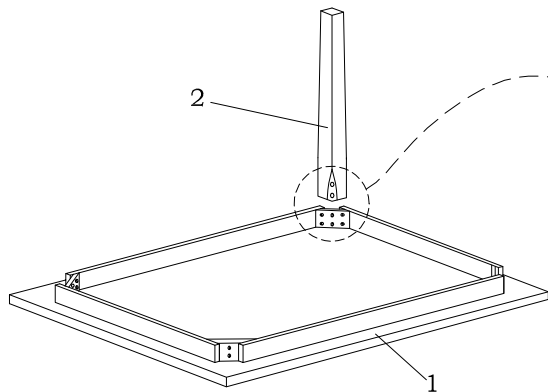
Thank you for purchasing this product. Please take time to read and follow the instructions below. Check that you have all parts and hardware before assembly. Parts apparently missing are often found in the packing materials. If you do not have all the parts listed, have your dealer contact us and they will be sent to you immediately.



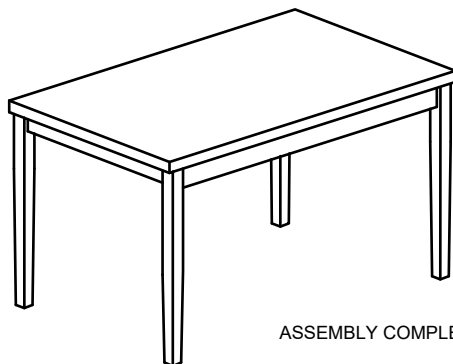
It is recommended to install protective pads under all legs and supports to avoid damage or scratches when placing furniture on a wood floor or other hard surface, and to limit indentation and prevent discoloration if placing on carpet.

HARDWARE LIST			
A		Bolt / Boulon M6 x 70mm	8 pcs
B		Lock Washer M6 x 12.5mm	8 pcs
C		Flat Washer M6 x 19mm	8 pcs
D		Allen Key	1 pc

PARTS LIST		
1	Table Top	1 pc
2	Legs	4 pcs



FULLY TIGHTEN ALL JCBC BOLTS



ASSEMBLY COMPLETE