

# **INSTALLATION**

## INSTRUCTIONS

International customization

**BATHROOM CABINETRY INSTALLATION GUIDE**

Illustrations may not reflect every exact model

# INSTALLATION INSTRUCTIONS

Congratulations on choosing our product to be part of your living style. These quality, service and design ensure the elegant life of bathroom space.

To install your bathroom products please ensure you read the following instructions below.

## IMPORTANT

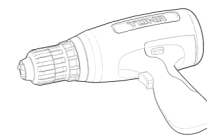
All vanities must be installed by a licenced plumber.  
Vanities and tops must be installed onto finished surfaces.

It is imperative that all bathroom installations are ventilated to meet standards.  
**FAILURE TO PROVIDE VENTILATION TO MEET THESE STANDARDS WILL VOID MANUFACTURERS WARRANTY.**

## Prior to installation

It is important that the product is unpacked and inspected for any damage, defects and that the product supplied is correct. If any of the above is apparent, **DO NOT PROCEED WITH THIS INSTALLATION, AND IMMEDIATELY CONTACT THE STORE OF PURCHASE.**

## TOOLS REQUIRED FOR INSTALLATION



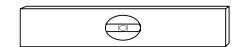
Electric/Battery Drill



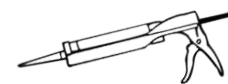
Drill Bit



Tape Measure



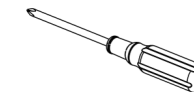
Spirit Level



Non-Acidic Silicone  
Glue Gun



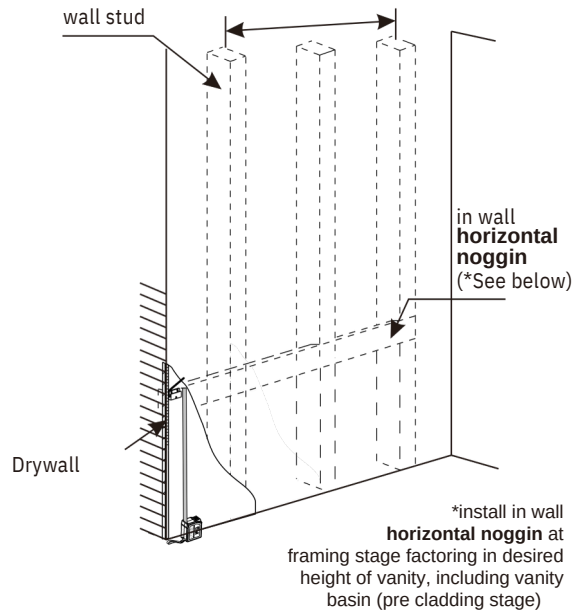
Pencil



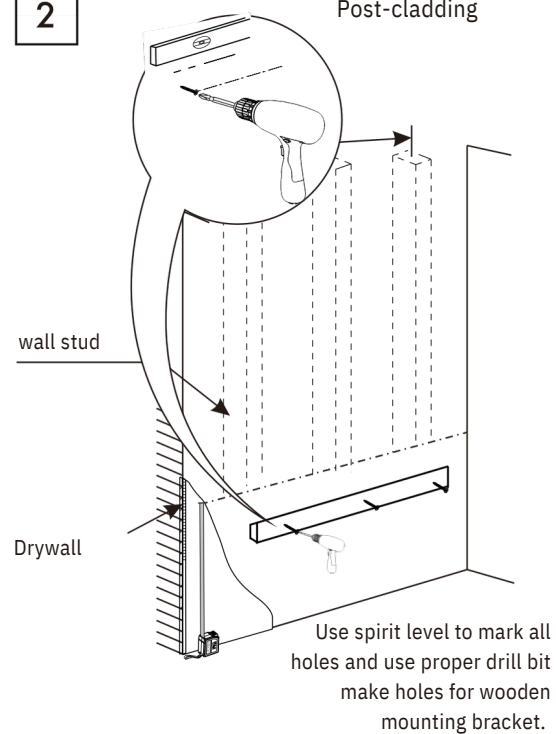
Screw Driver

# WALL HUNG VANITY WITH WALL BRACKET SYSTEM FOR HOLLOW WALLS

## 1 Pre-cladding



## 2 Post-cladding

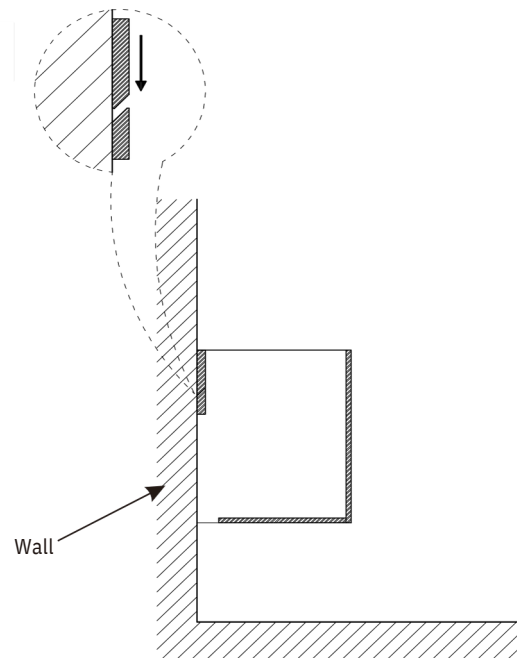


3 All mounting screws must be tighten on stud.

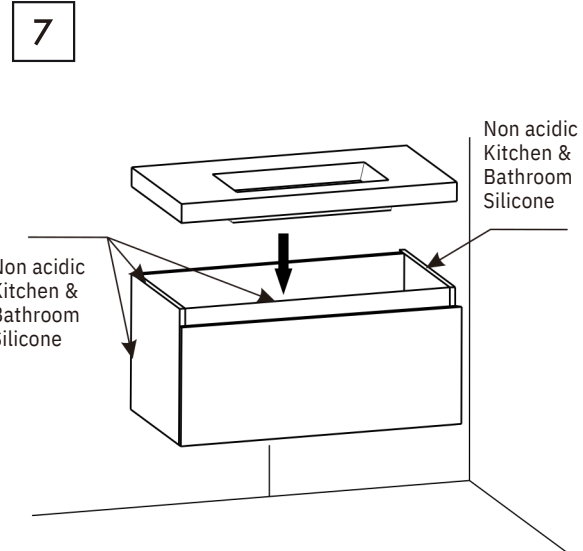
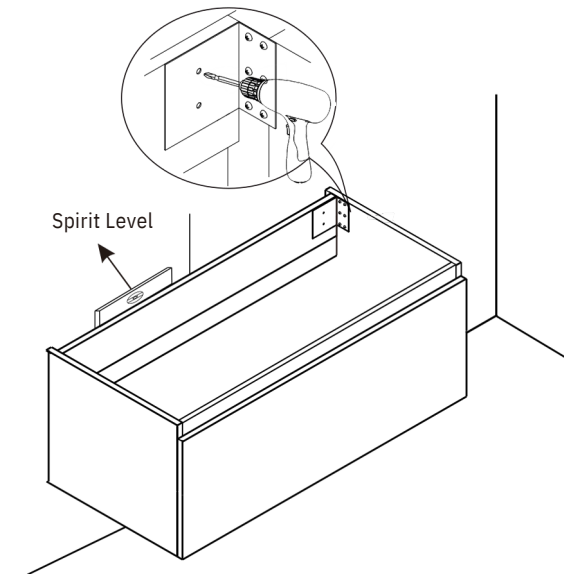
Vanity size	Minimum qty of screws on stud
24"	2
25"-48"	3
49"-72"	4
73"-up	5

4 To avoid damage remove cabinet drawers. Then cover the drawer runners with plastic sheet to prevent debris from getting into the mechanism. Refer to page 12-14 for removing your drawers/doors

5 Place the cabinet on the wall again. Use electric drill to drive the screws through the metal L shape and wooden back panel into the wall.



6 Place the final mounting screws into the "L" shape bracket. Use anchor if drill position is not on stud.



8 The unit must be sealed along the back edge of the top and down the sides against the wall with non acidic bathroom & kitchen silicone. Seal around the cabinet with silicone.

9 Please note when installing an undermount basin or counter basin onto a stone top, they must be siliconed on. When the silicone has dried ensure you caulk around the basin and stone top.

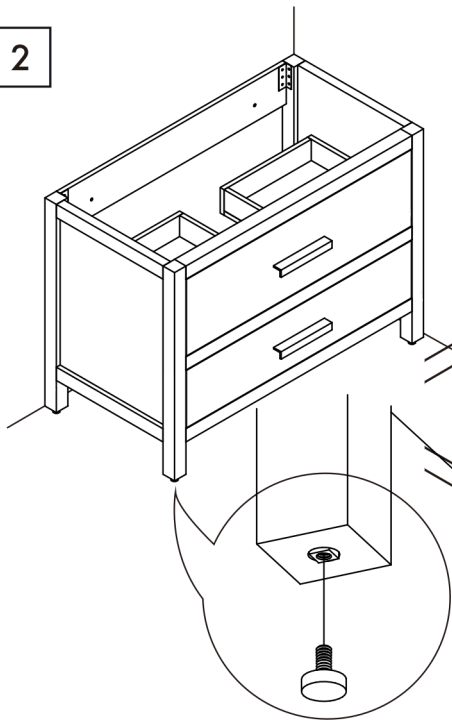
10 The vanity is now ready for the tapware and waste installation.

## FREESTANDING VANITY (WITH ADJUSTING SCREWS)

1

Use spirit level, mark & install all brackets level

2



Reverse the carton while unpacking, cabinet legs upward, turn the leg end screws.

**Note:** Do not fix the screws when turn, left distance used to adjust. Reverse the cabinet.

**Note:** The process needs two workers to avoid the drawers come out. It's necessary to measure the cabinet level to adjust well.

3

Place vanity onto wall in the desired high. Check level from side to side and front to back. Packers may be required to level vanity unit and prevent cabinet from twisting once vanity is level fasten to wall using screws, cap and boss provided. Installers must check and adjust to avoid mistakes.

4

The unit must be sealed along the back edge of the top and down the sides against the wall with non acidic bathroom & kitchen silicone.

6

The vanity is now ready for the tapeware and waste installation.

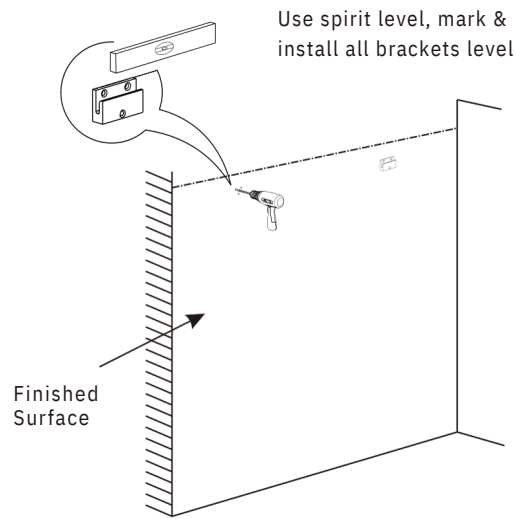
5

Please note when installing an undermount basin or counter basin onto a stone top, they must be siliconed on. When the silicone has dried ensure you caulk around the basin and stone top.

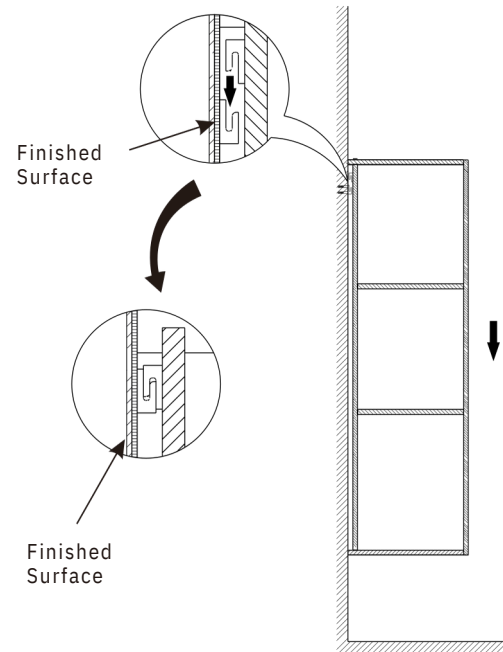
**IMPORTANT:** All fixing screws that hold the vanity unit onto the wall must fix through wall into horizontal noggin. Failure to do so will result in vanity falling off wall.

## WALL HUNG STORAGE UNIT

1



2



## FREESTANDING VANITY



Please note all Freestanding storage units must be fixed into noggin. Using a minimum of 2 screws so as to avoid storage falling forward.

Place storage unit onto wall, locate noggin and then check for level. Use screws, caps and boss supplied to fix through holes of storage into noggin.

## MIRROR CABINETS

1

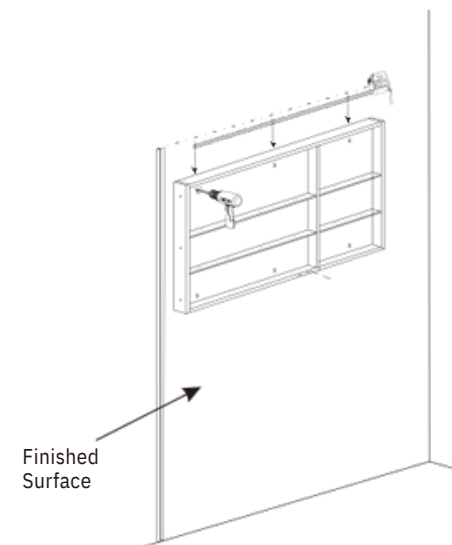
Carefully remove mirror doors from cabinet

2

Locate stud in wall, using measuring tape mark stud centre on wall

3

Place mirror box and level at desired height. Mark out stud centres on mirror box backing board.



4

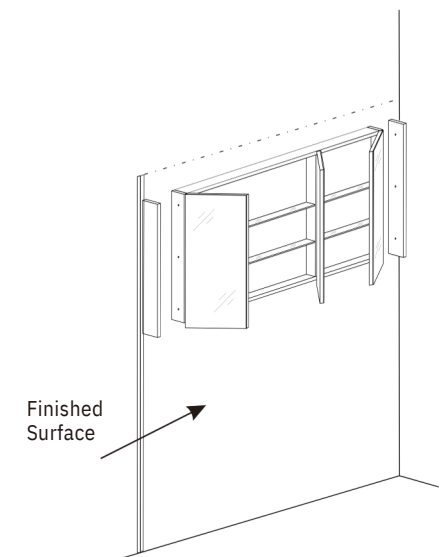
Use electric drill to drill holes at the marked position

5

Use prepacked screws, insert brass threaded boss and continue to screw into wall until all screws firmly holding mirror box on wall. Screw on chrome screw caps to brass box.

6

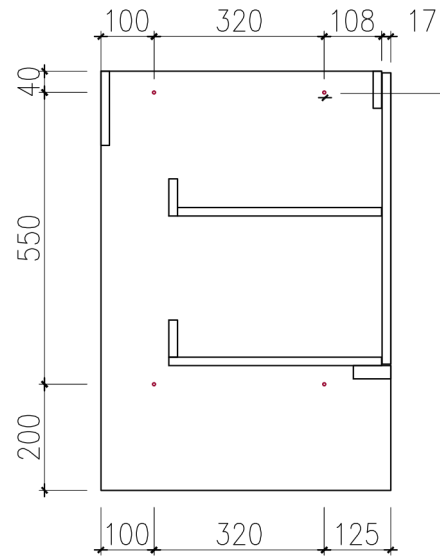
Carefully Reinstall mirror doors to cabinet.



If cabinets are to be installed into wall cavity they must NOT be installed into load bearing wall.

## CONNECTION

1



Side Elevation

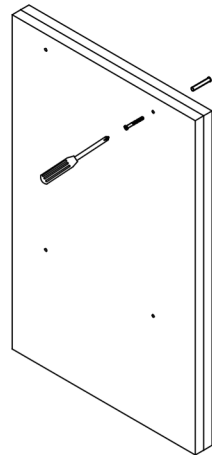
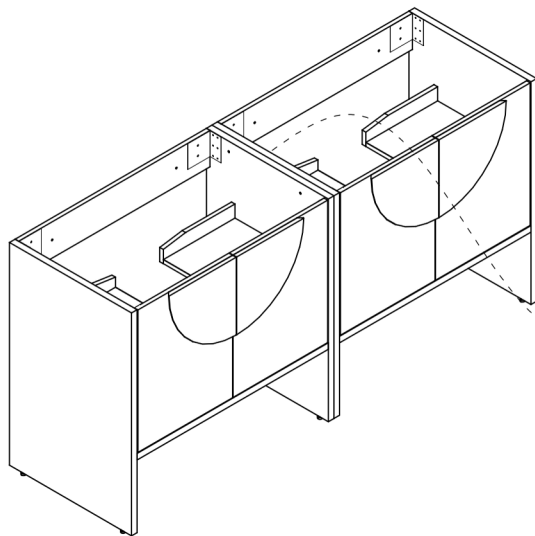
Φ 6MM

Need to drill 4 holes on the sideboards of the two vanities that are supposed to be connected together on site.

Settling and leveling both vanities on finishing floor before drilling connection holes.

2

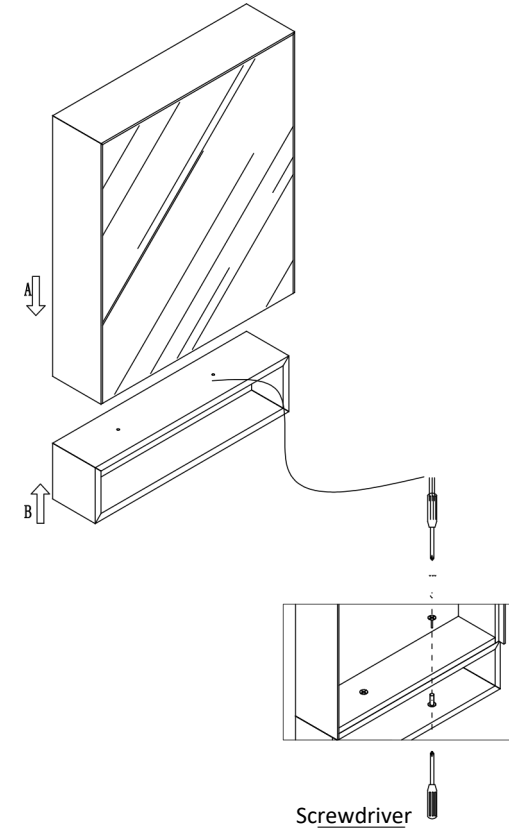
Connect two vanities with the prepacked connector fixings.



## WALL HUNG MIRROR CABINET

1

Connect the mirror cabinet and bottom shelf with the fixings.

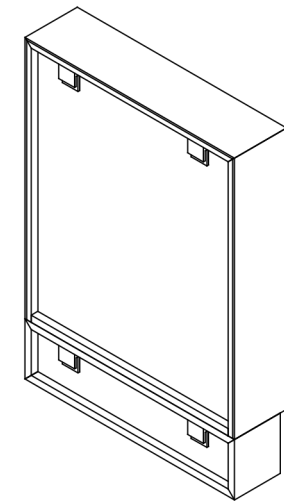


4

Use electric drill to drill holes at the marked position

5

Hang it on the wall.



2

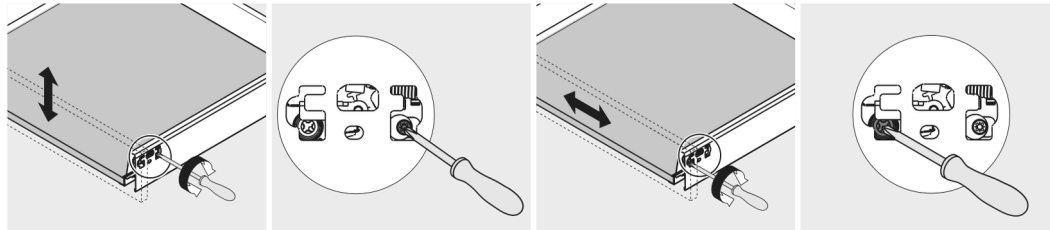
Locate stud in wall, using measuring tape mark stud centre on wall

3

Place mirror box and level at desired height. Mark out stud centres on mirror box backing board.

Drawer Adjustment and removal instruction

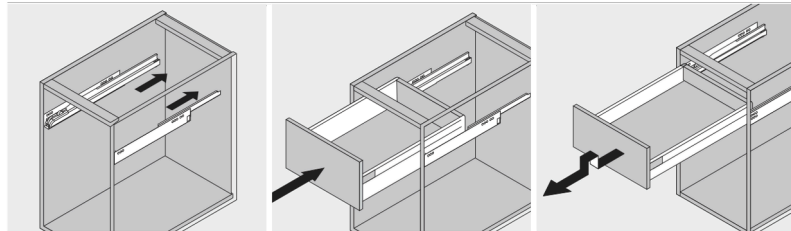
Side Adjustment



Height Adjustment

Side Adjustment

Drawer insertion & removal

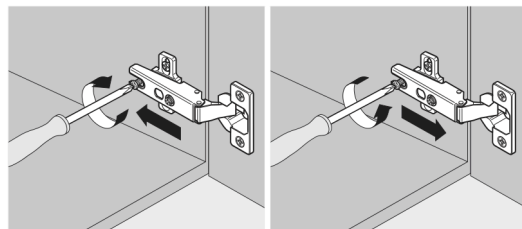


Insertion

Removal

Hinge Adjustment and removal instruction

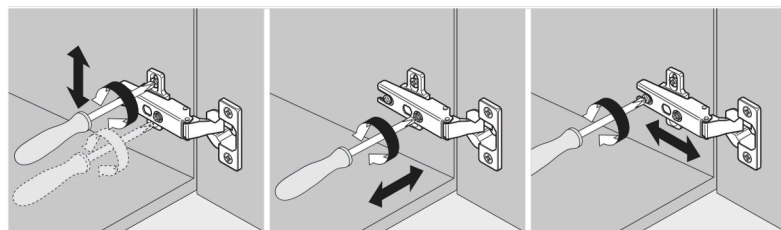
Modul



Assembly

Removal

Adjustment



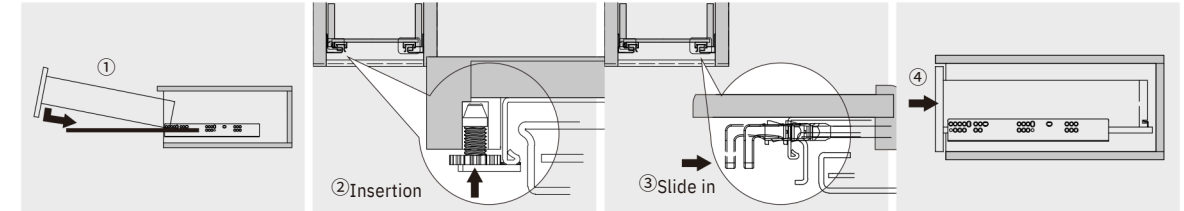
Height Adjustment

Side Adjustment

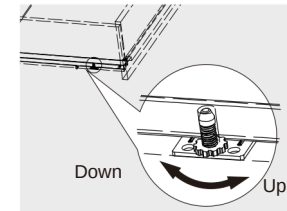
Depth Adjustment

general drawer/hinge adjustment and removal

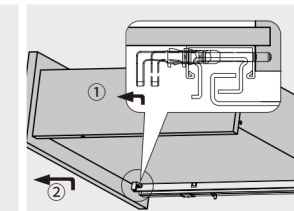
Installation



Adjustment

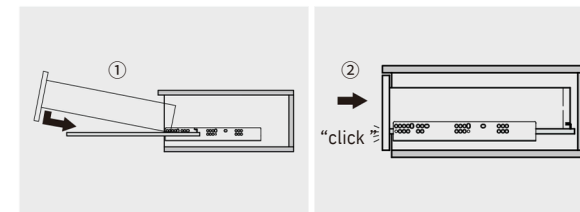


Removal

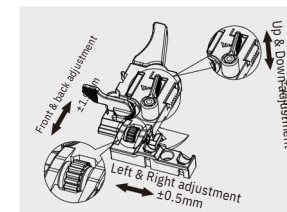


Quick Assembly Drawer Slide

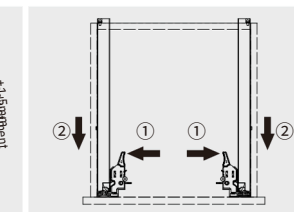
Installation



Adjustment



Removal



**IMPORTANT**

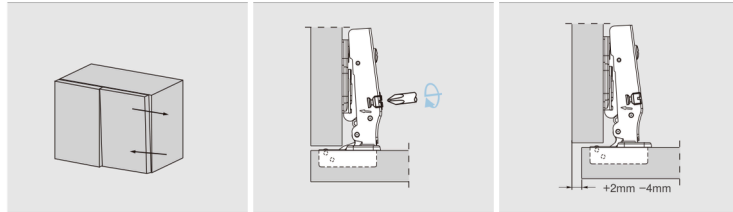


1. The drawer slides unsteadily?  
To prevent debris from getting into the mechanism while assembling.
2. Cannot work smoothly?  
Check if the size of drawer and cabinet meet the requirement; check the drawer is square or diamond; make sure the slide is level.
3. Quick assembly failed?  
Correct the front and back assembly position of slide
4. Drawers cannot fully close?  
Correct the front and back assembly position of slide
5. Fail to remove the drawer?  
Turn the quick assembly fittings; Take out the lock pin.
6. Rebound distance not enough?  
Cabinet must be put in horizontal position to avoid the slide incline backward.
7. Drawer fails to rebound?  
If the rebound distance less than 4mm, quick assembly fittings should be adjusted.  
**Note: Only applies to rebound guide rail**

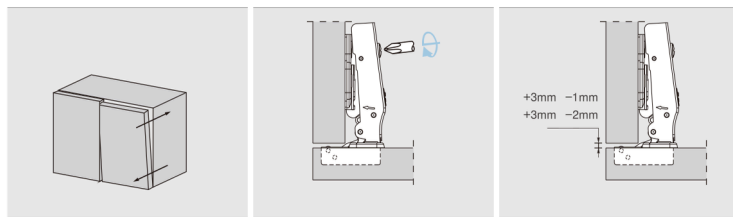
## DRAWER/HINGE ADJUSTMENT AND REMOVAL

### Hinge Adjustment and removal instruction

#### Side Adjustment

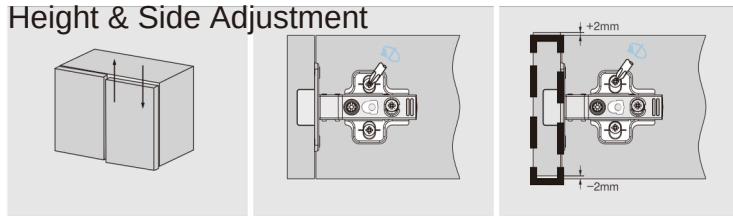


#### Depth Adjustment



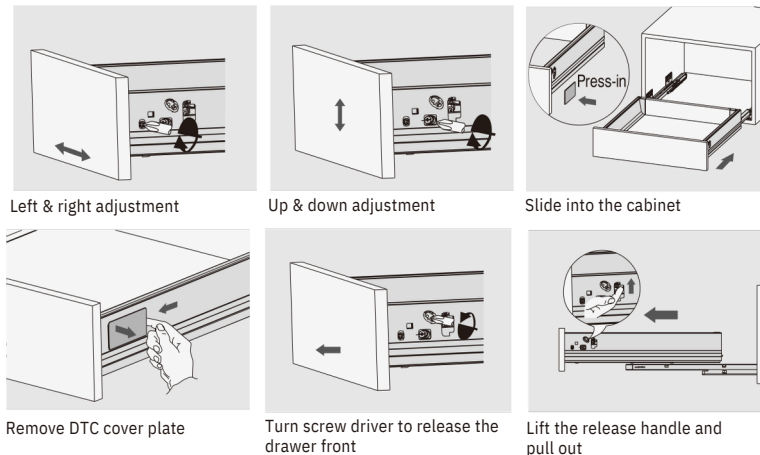
#### Height Adjustment

#### Height & Side Adjustment



### Drawer Adjustment and removal instruction

#### Height & Side Adjustment



Left & right adjustment

Up & down adjustment

Slide into the cabinet

Remove DTC cover plate

Turn screw driver to release the drawer front

Lift the release handle and pull out

## CARE INSTRUCTIONS

to allow your products to remain as elegant as the day they were installed please read the guide below.

#### DOOR AND CABINET CARE:

Regular cleaning with a damp cloth is sufficient. Never use strong detergents or abrasive cleaners as this may damage the surface finish of your furniture.

#### GLASS CARE:

When cleaning glass panels or mirrors, use a cloth with approved window/glass cleaner. Do not use washing powders or any other substance containing abrasives, as these will scratch the glass. Bathroom furniture may deteriorate if subjected to heavy water spillage or prolonged condensation.

#### POLYMARBLE BASIN CARE:

To maintain your Polymarble basin it is recommended to regularly clean your basin using a damp sponge with warm soapy water. Avoid using abrasive cleaners, ammonia-based products or bleaches as these products will damage the surface of your Polymarble basin.