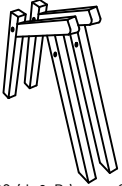

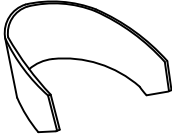







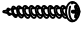





Product Assembly Instructions

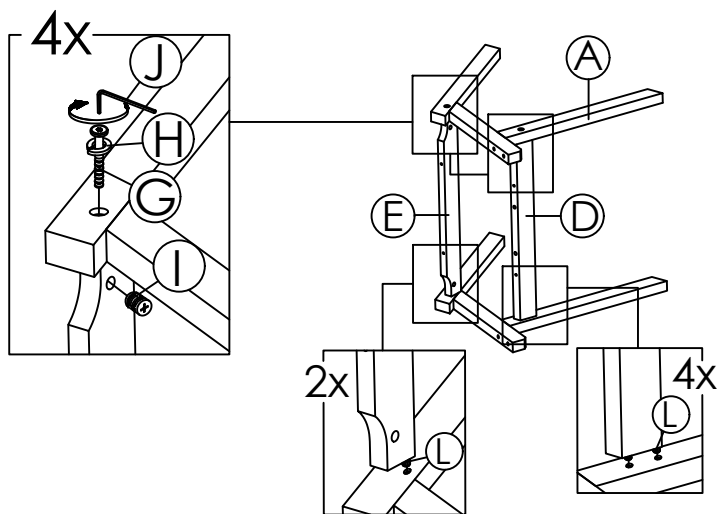
PART LIST

 <p>A: SIDE LEGS (L & R) x2</p>	 <p>B: CUSHION SEAT x1</p>	 <p>C: CUSHION BACK REST x1</p>
 <p>D: FRONT APRON x1</p>	 <p>E: BACK APRON x1</p>	

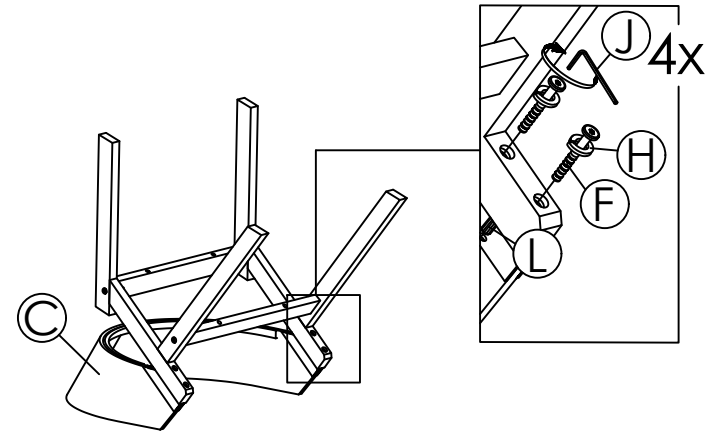
HARDWARE LIST

 <p>F: JCBC SCREW M6 x 40MM x4</p>	 <p>G: JCBC SCREW M6 x 70MM(BLK) x4</p>	 <p>H: SPRING WASHER 1/4" x4</p>
 <p>I: BARREL NUT M6 x 13MM x4</p>	 <p>J: ALLEN KEY M4 (BALL SHAPE)LONG x1</p>	 <p>K: PAN HEAD WOOD SCREW M5 X 32MM x4</p>
 <p>L: WOOD DOWEL DIA 8 x 35MM x8</p>	 <p>M: WOOD DOWEL DIA 8 x 25MM x2</p>	 <p>N: SPRING WASHER 1/4" (BLK) x4</p>

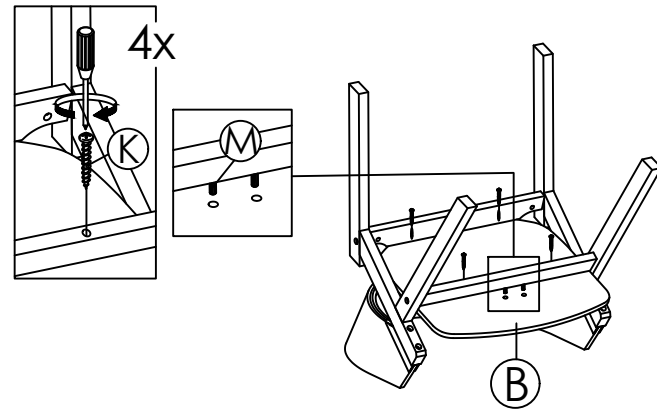
STEP 1



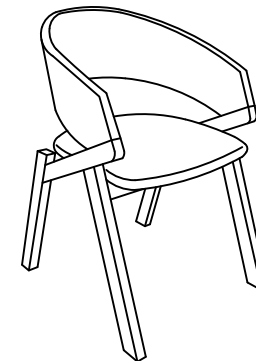
STEP 2



STEP 3



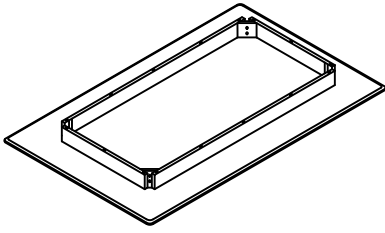
STEP 4



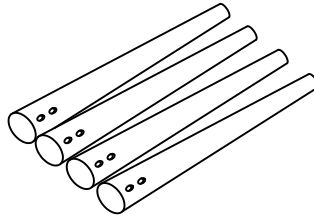
ASSEMBLY COMPLETED

Product Assembly Instructions

PART LIST



A : TABLE TOP x1



B : TABLE LEG x4

HARDWARE LIST



C : JCB SCREW M8 x 70mm x8



D : SPRING WASHER 5/16" x8

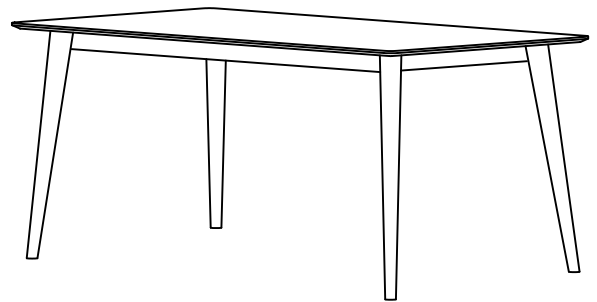
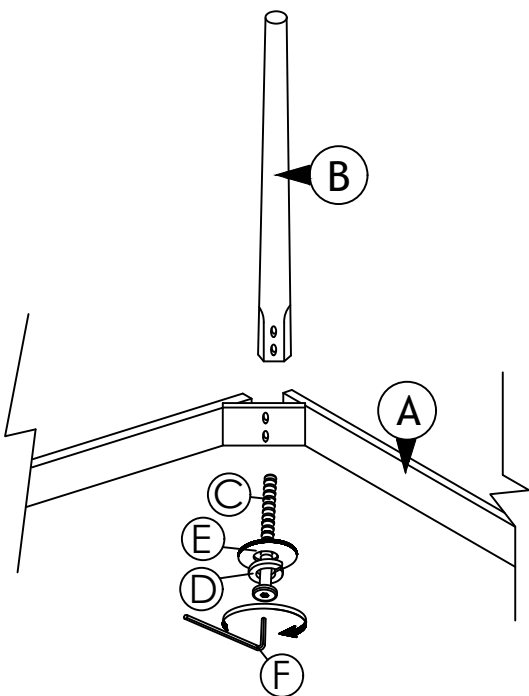


E : FLAT WASHER 5/16" x8



F : ALLEN KEY M5 x1

STEP 1



ASSEMBLY COMPLETED