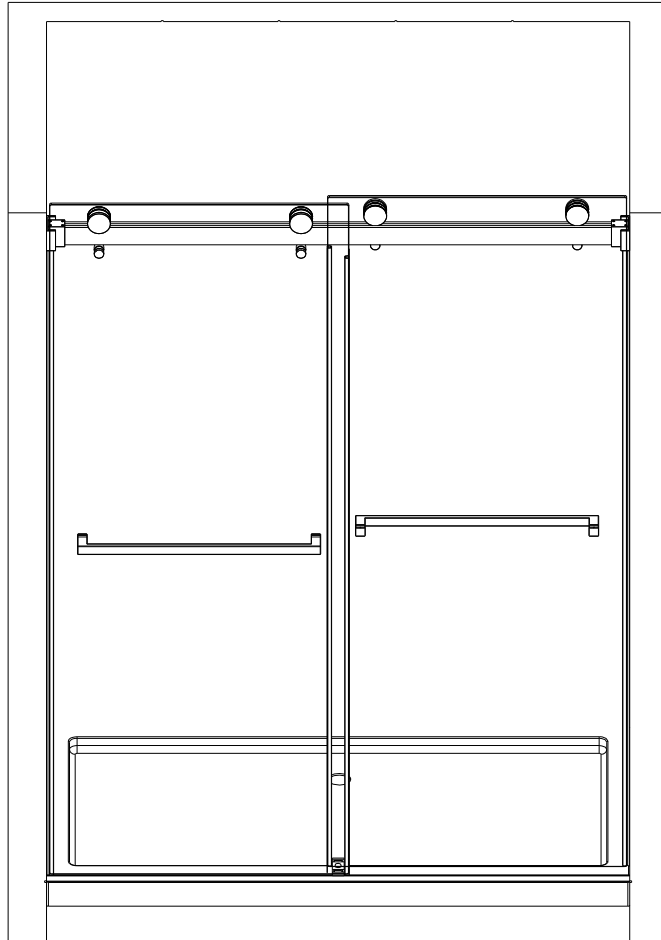


# S01A

## Installation Instructions Sliding Shower and Bath Doors



Scan for **YouTube HD** Product Install Video



Scan QR Code for Installation Video



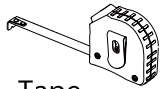
**This door requires professional installation. Two installers recommended.**

**All the plastic bag is not a toy, keep it out of reach of infants and children to avoid choking hazards.**

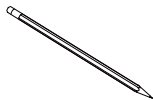
# Tools



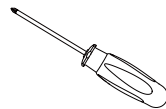
Level



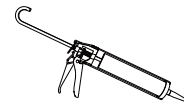
Tape Measure



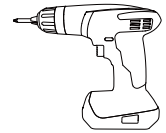
Pencil



Phillips Screwdriver



Silicone



Power Drill



Drill Bit  
Ø1/8"  
(3mm)



Drill Bit  
Ø3/16"  
(4mm)



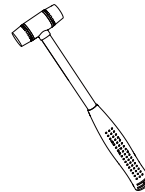
Drill Bit  
Ø1/4"  
(6mm)



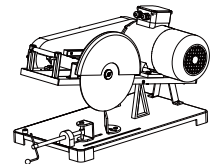
Drill Bit  
Ø5/16"  
(8mm)



Drill Bit  
Ø3/8"  
(10mm)



Soft Head Hammer



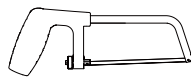
Chop saw\*\*



Safety Glasses



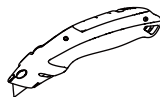
Work Gloves



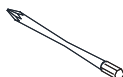
Hacksaw\*\*



Painter's Tape



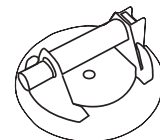
Razor Knife



Extender Driver Bit



#3 Phillips Driver Bit



Professional-grade Glass suction cup



**Measure the finished opening before proceeding with the installation to be sure that the correct model size has been ordered.**

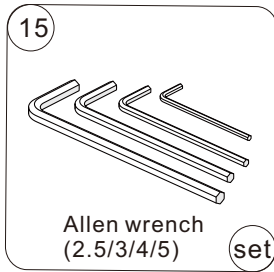
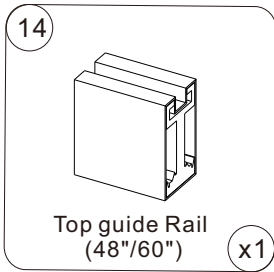
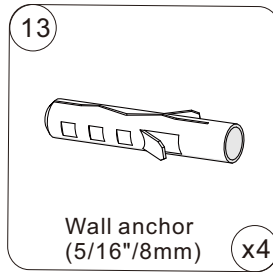
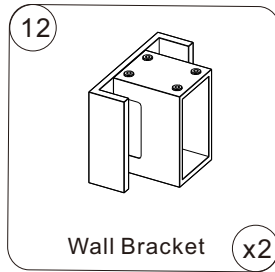
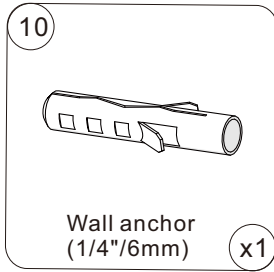
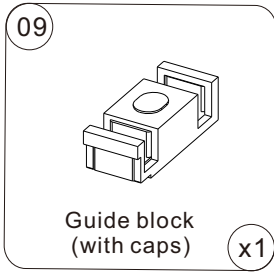
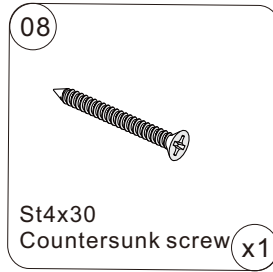
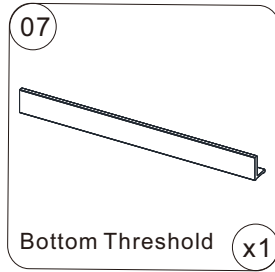
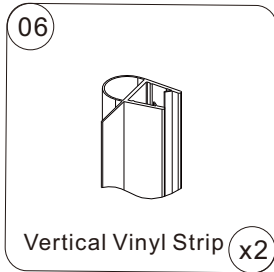
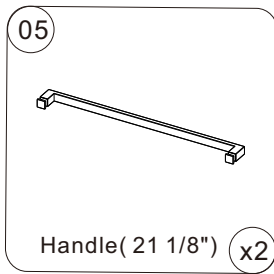
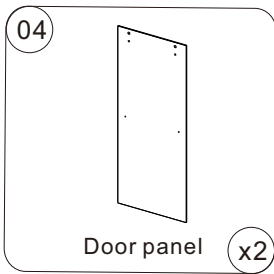
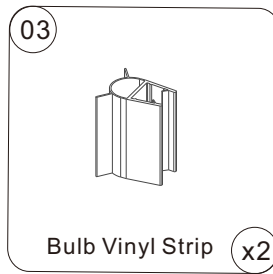
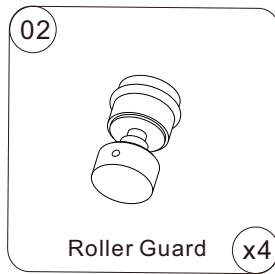
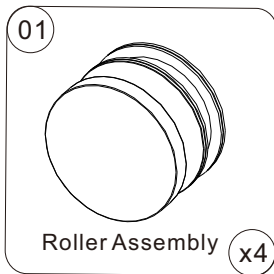
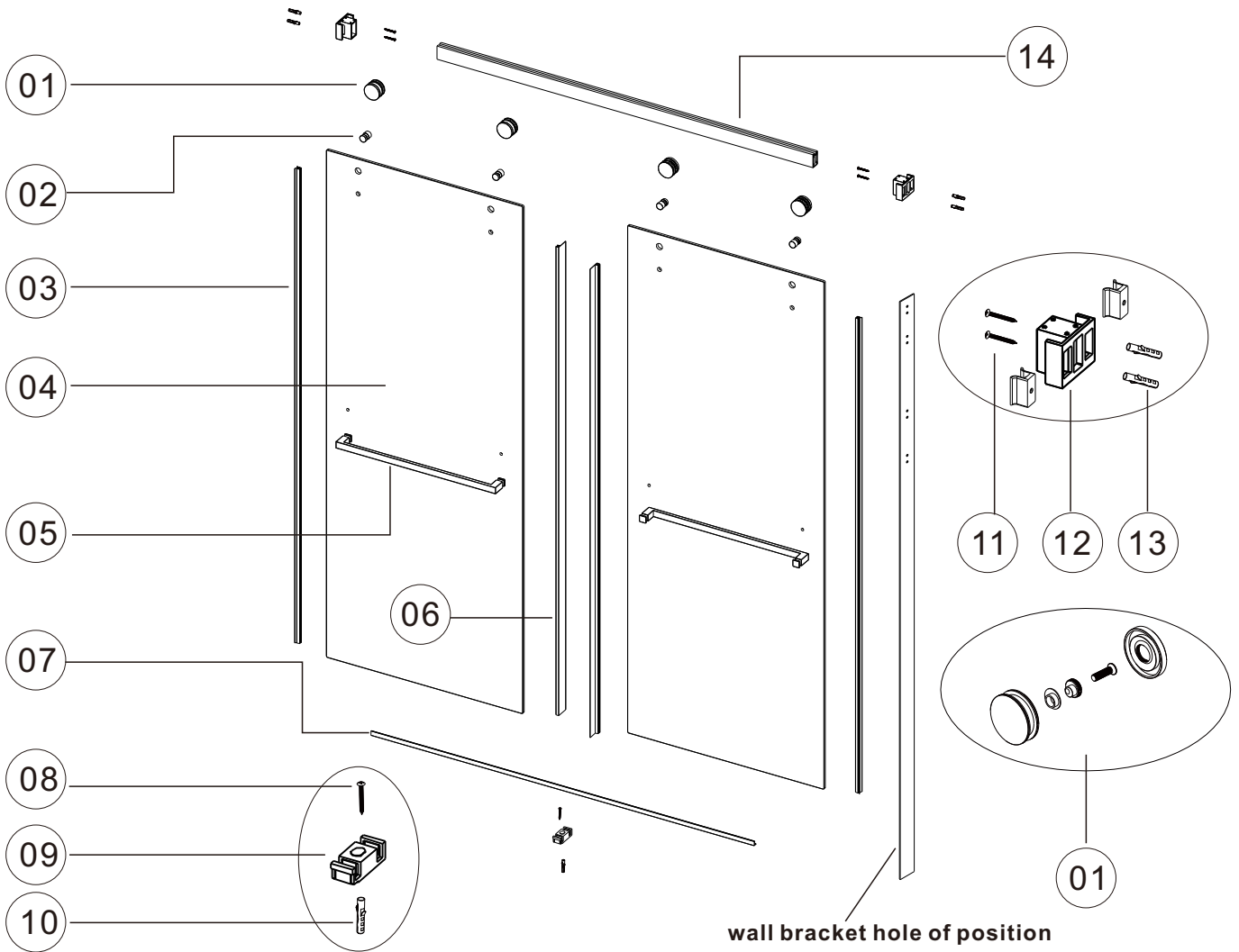
**Be sure to cover the shower drain to prevent losing small parts.**



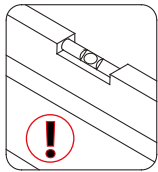
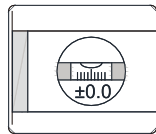
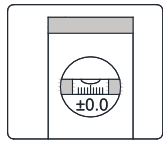
**These instructions will show the installation of the shower door. Please follow the same steps for the installation of the tub door.**

**Threshold must be level; Walls must be plumb.**

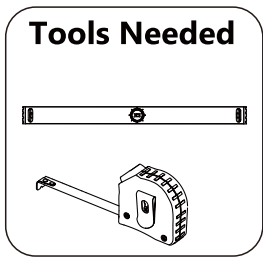
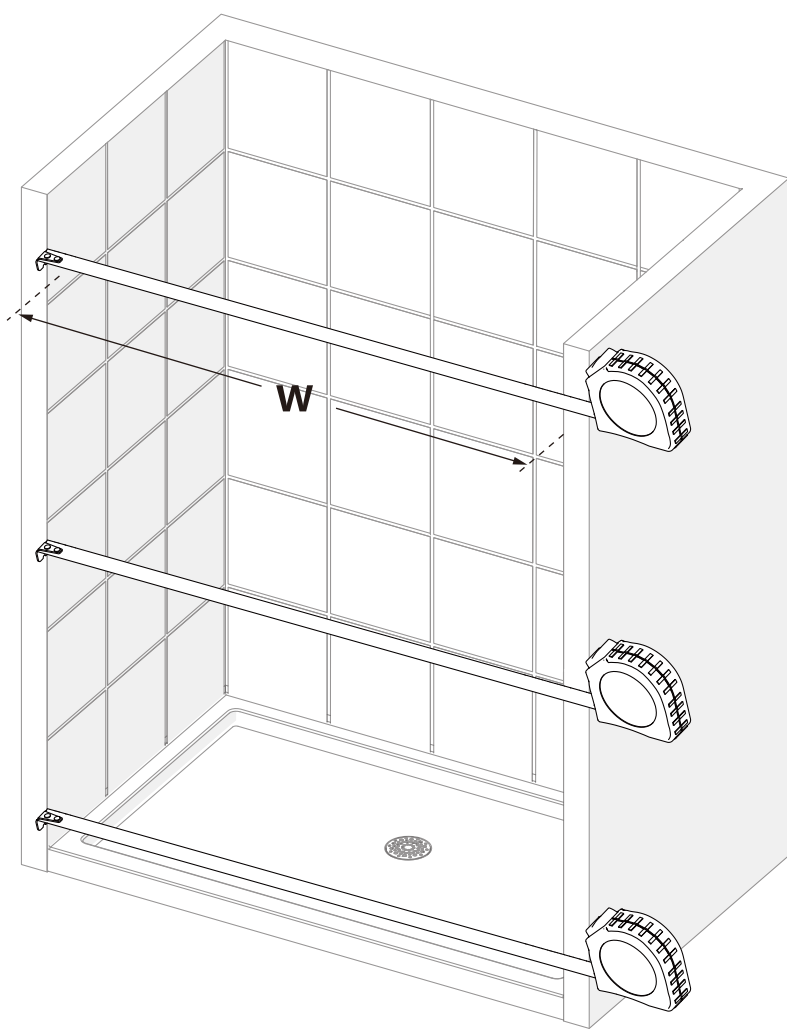
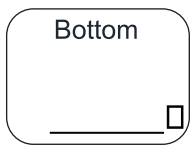
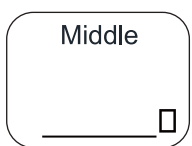
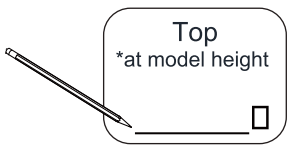
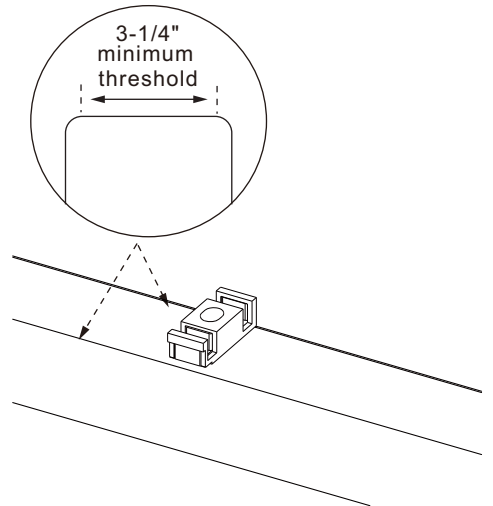
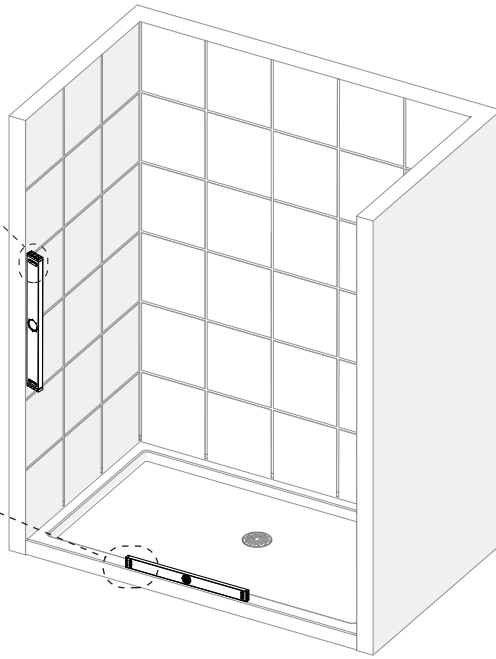
# Detailed Diagram of Shower Door Component



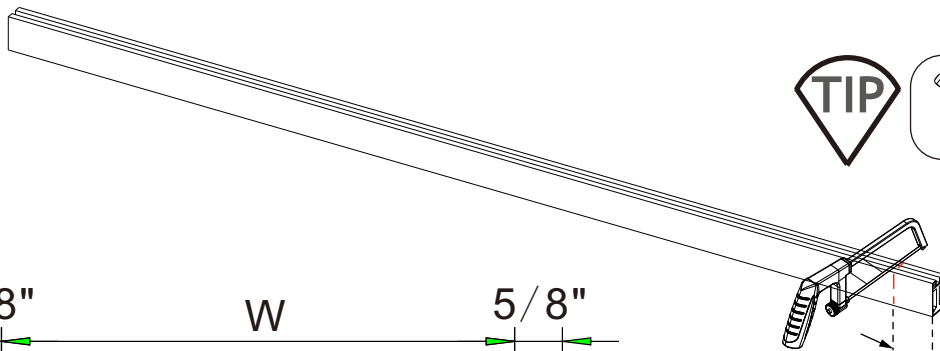
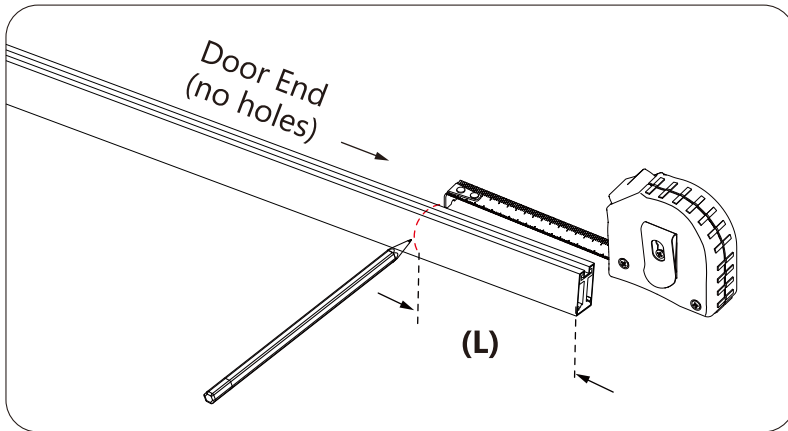
# Confirm The Tray & The Wall Level



**Threshold must be level**



# Measure And Cut The Top Guide Rail



Use a metal file to deburr the cut end

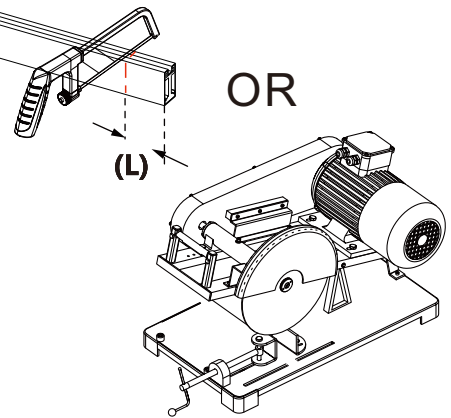
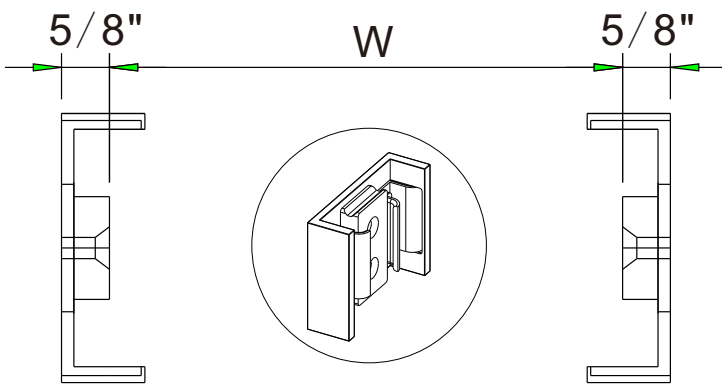


Table of top guide rail

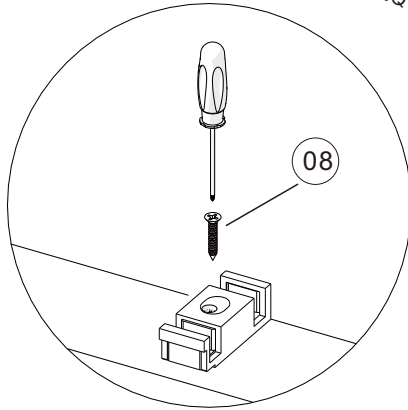
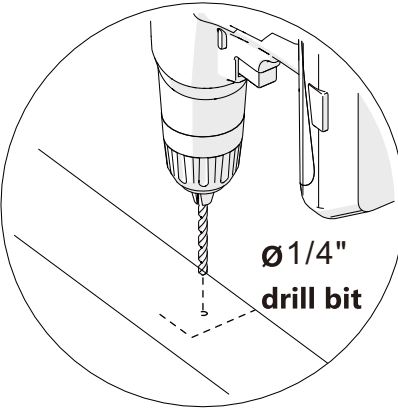
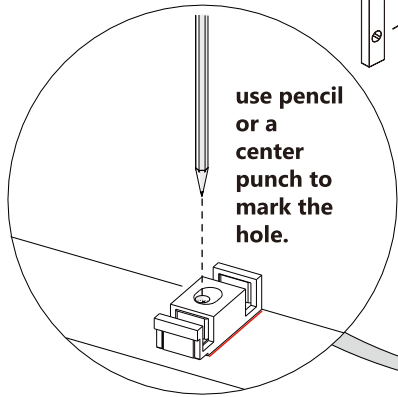
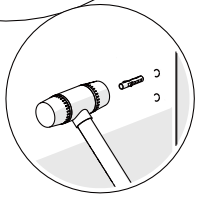
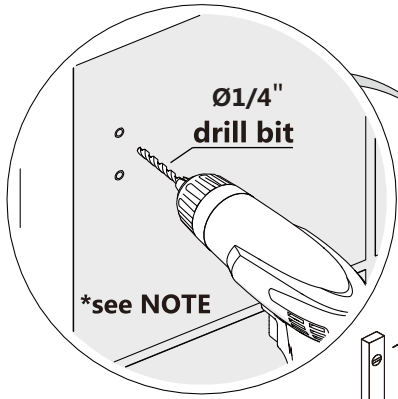
No.	Type	width	Top guide rail	Adjustments
01	shower door	1219(mm) / 48"	1190(mm)/46 7/8"	(1118-1219)mm/(44- 48)"
02		1524(mm) / 60"	1490(mm)/58 5/8"	(1422-1524)mm/(56- 60)"
03		1676(mm) / 66"	1642(mm)/64 5/8"	(1574-1676)mm/(62- 66)"

Table of wall bracket hole

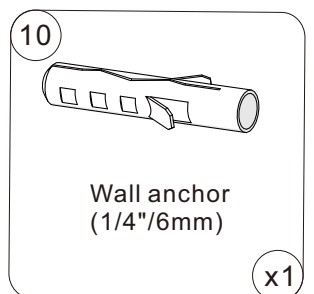
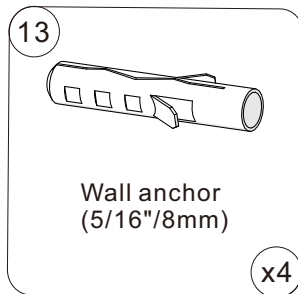
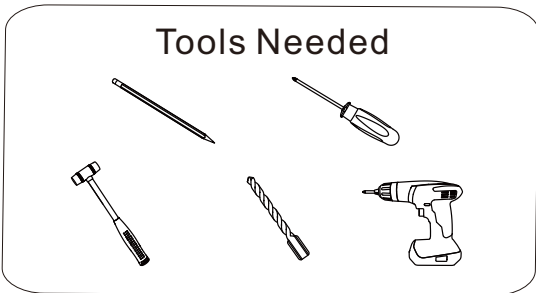
No.	Type	High	Wall bracket hole A	Diagram
01	shower door	1524(mm) / 60"	1416(mm)/55 3/4"	
02		1676(mm) / 66"	1568(mm)/61 3/4"	
03		1930(mm) / 76"	1822(mm)/71 3/4"	
04		2032(mm) / 80"	1924(mm)/75 3/4"	

# Measure Wall Bracket Hole & Guide Block Hole

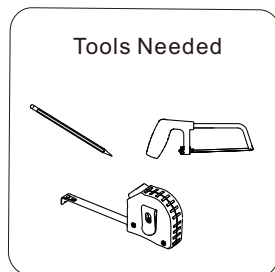
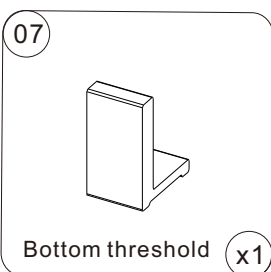
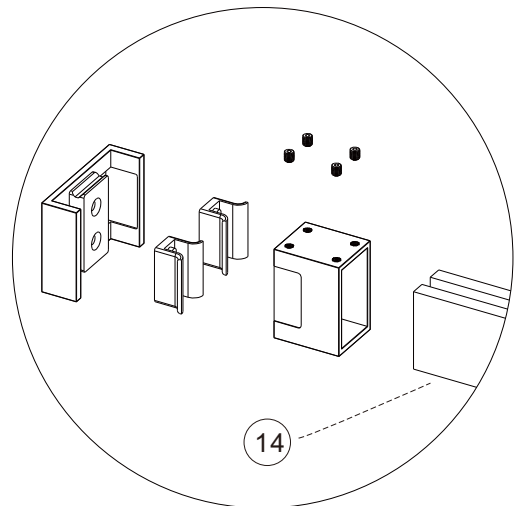
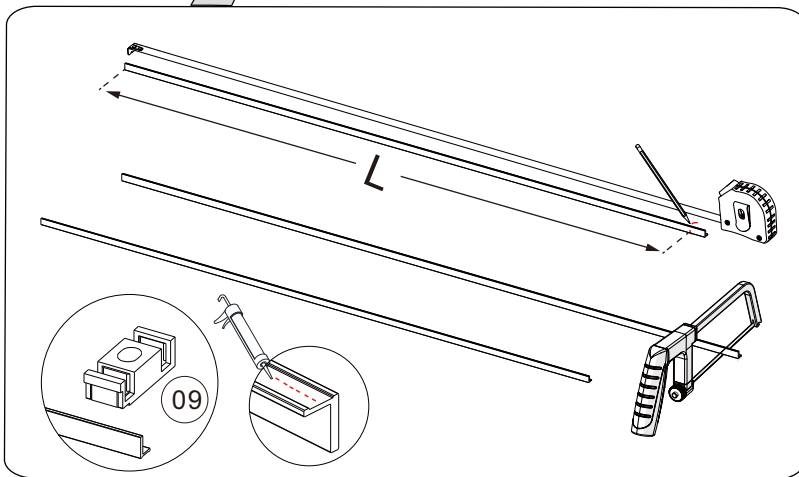
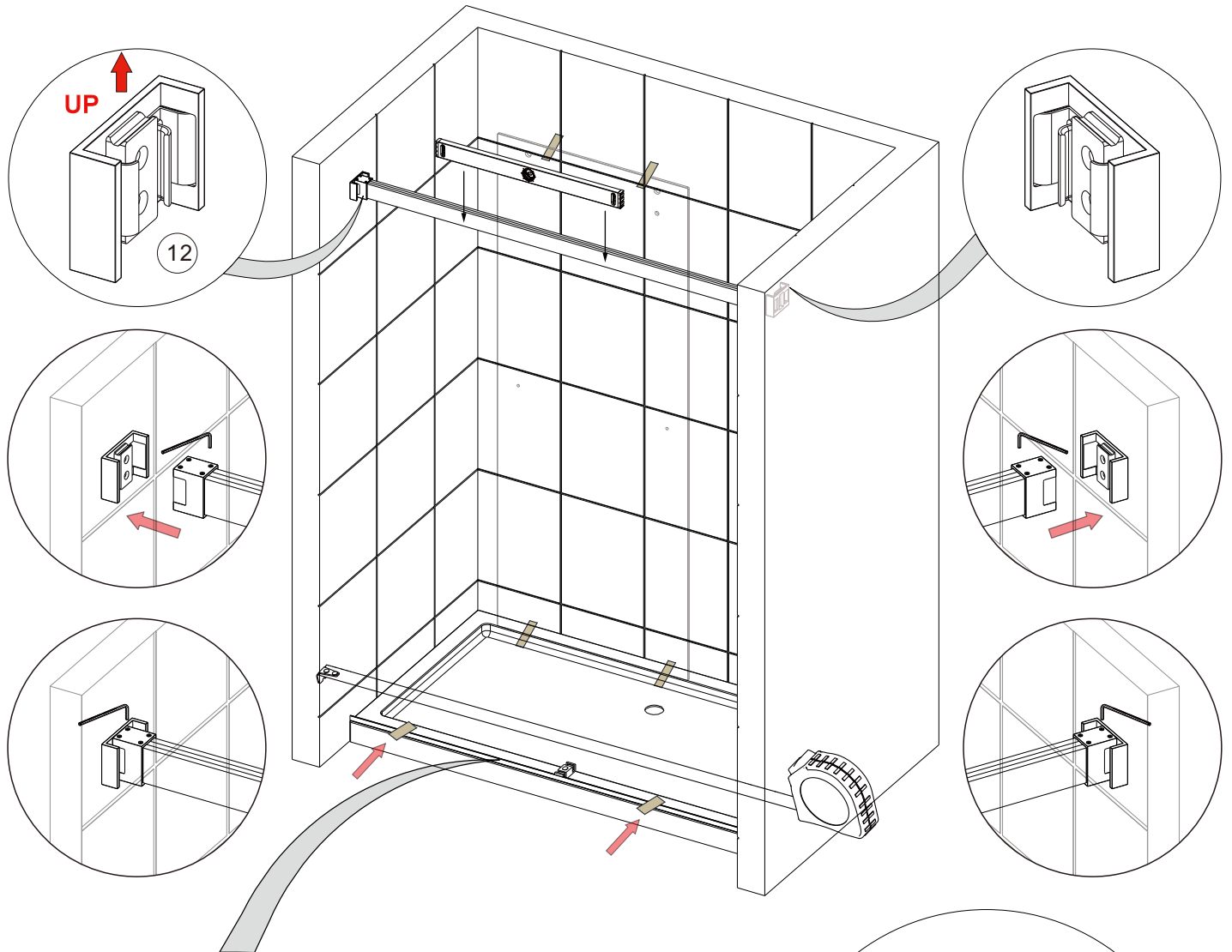
High	Wall bracket hole
1524(mm) / 60"	1416(mm)/55 3/4"
1676(mm) / 66"	1568(mm)/61 3/4"
1930(mm) / 76"	1822(mm)/71 3/4"
2032(mm) / 80"	1924(mm)/75 3/4"



- For installation into an **Acrylic Threshold**: drill a **Ø1/8" (3mm)** hole and use the **ST4.2 x 40mm Countersunk Screw**
- OR**
- For installation into a **Tile Threshold**: drill a **Ø3/16" (4mm)** hole up to the stud and use the **ST4.2 x 40mm Countersunk Screw**

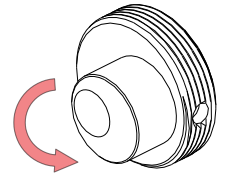
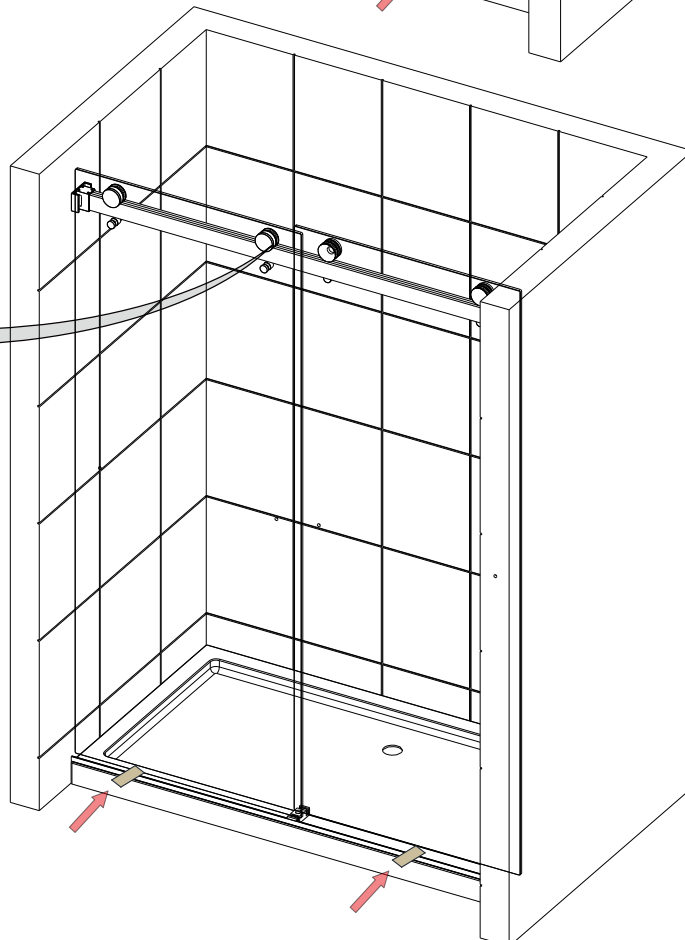
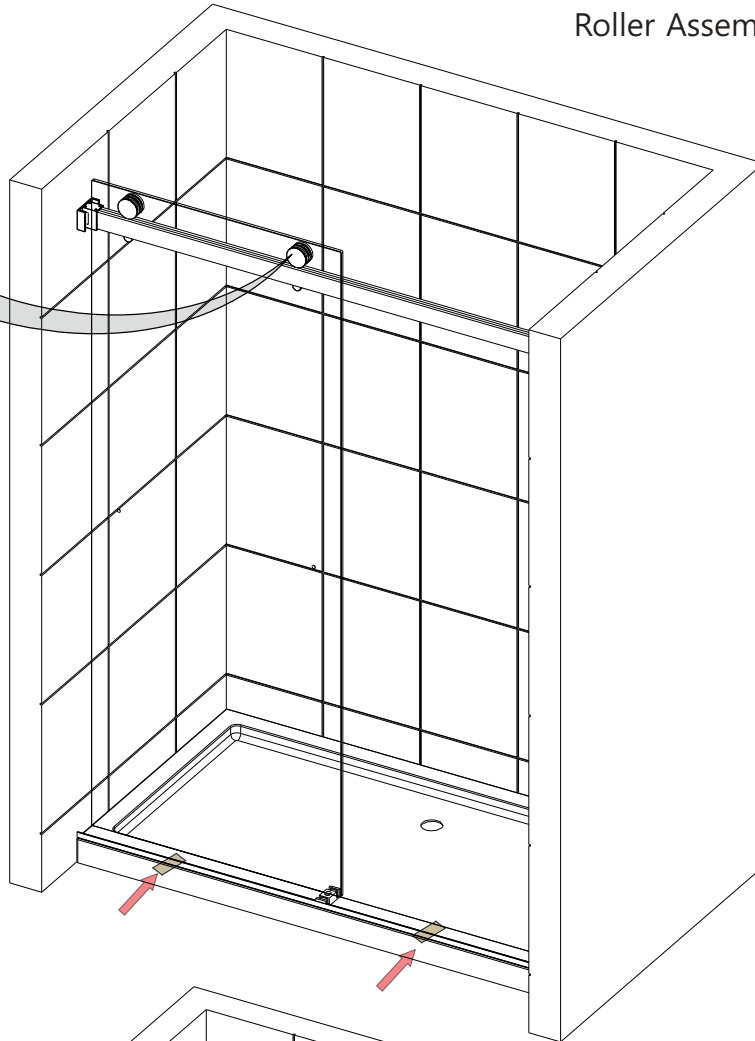
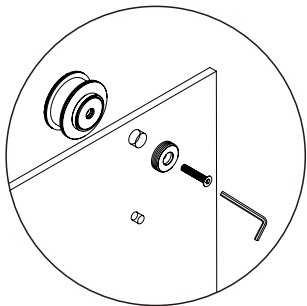
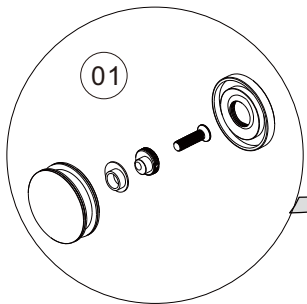
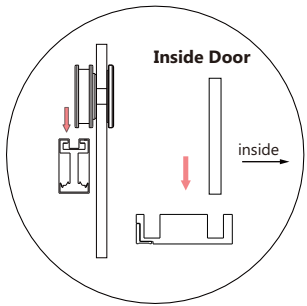
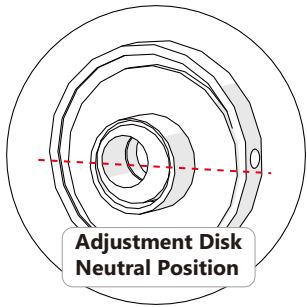
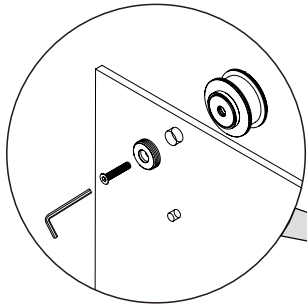


# Wall Bracket Assembly & Bottom Threshold Installation

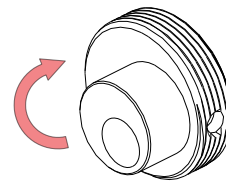


# The Inside Panel & The Outside Panel Installation

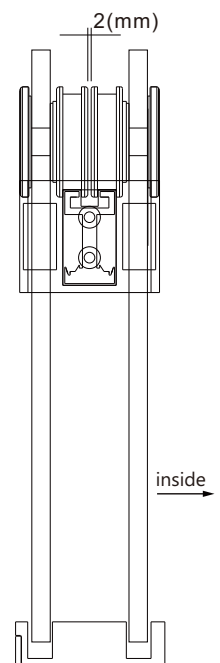
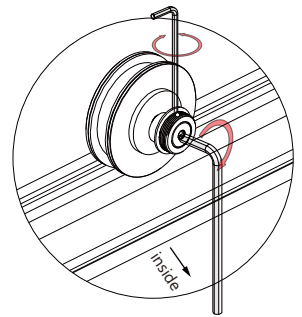
## Roller Assembly Wheel Adjustment



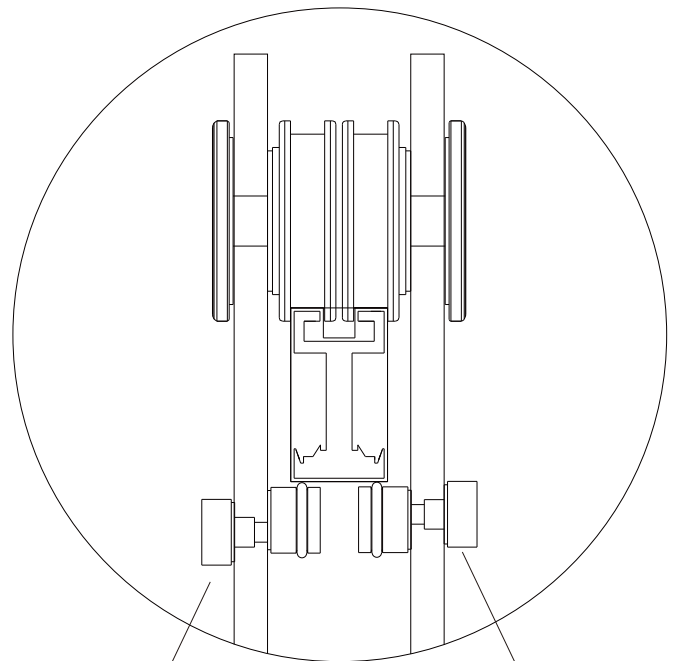
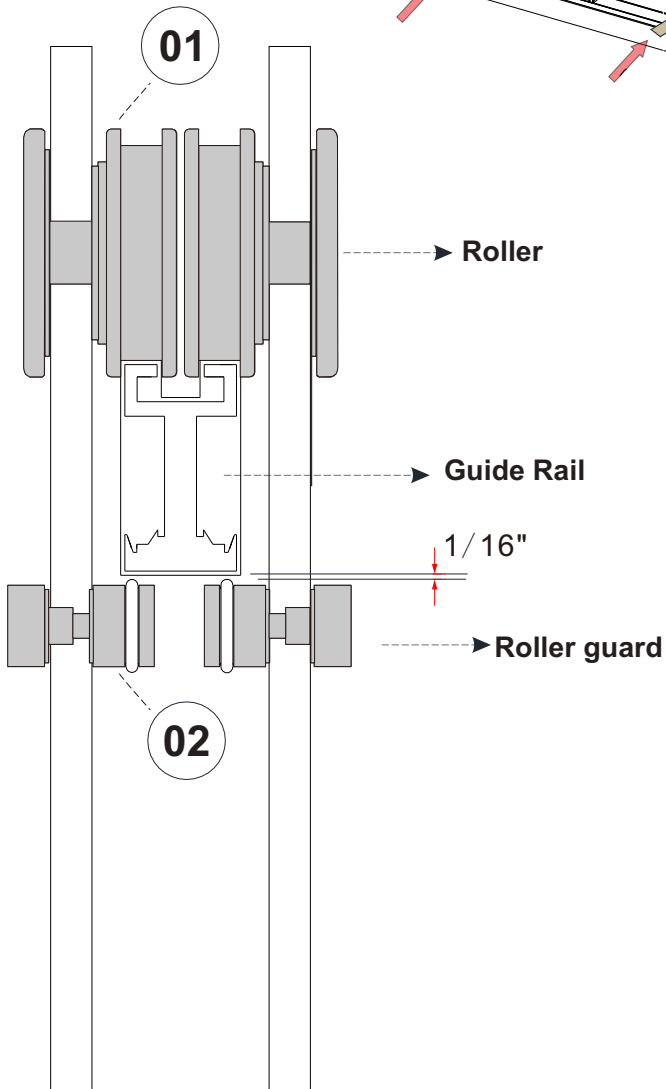
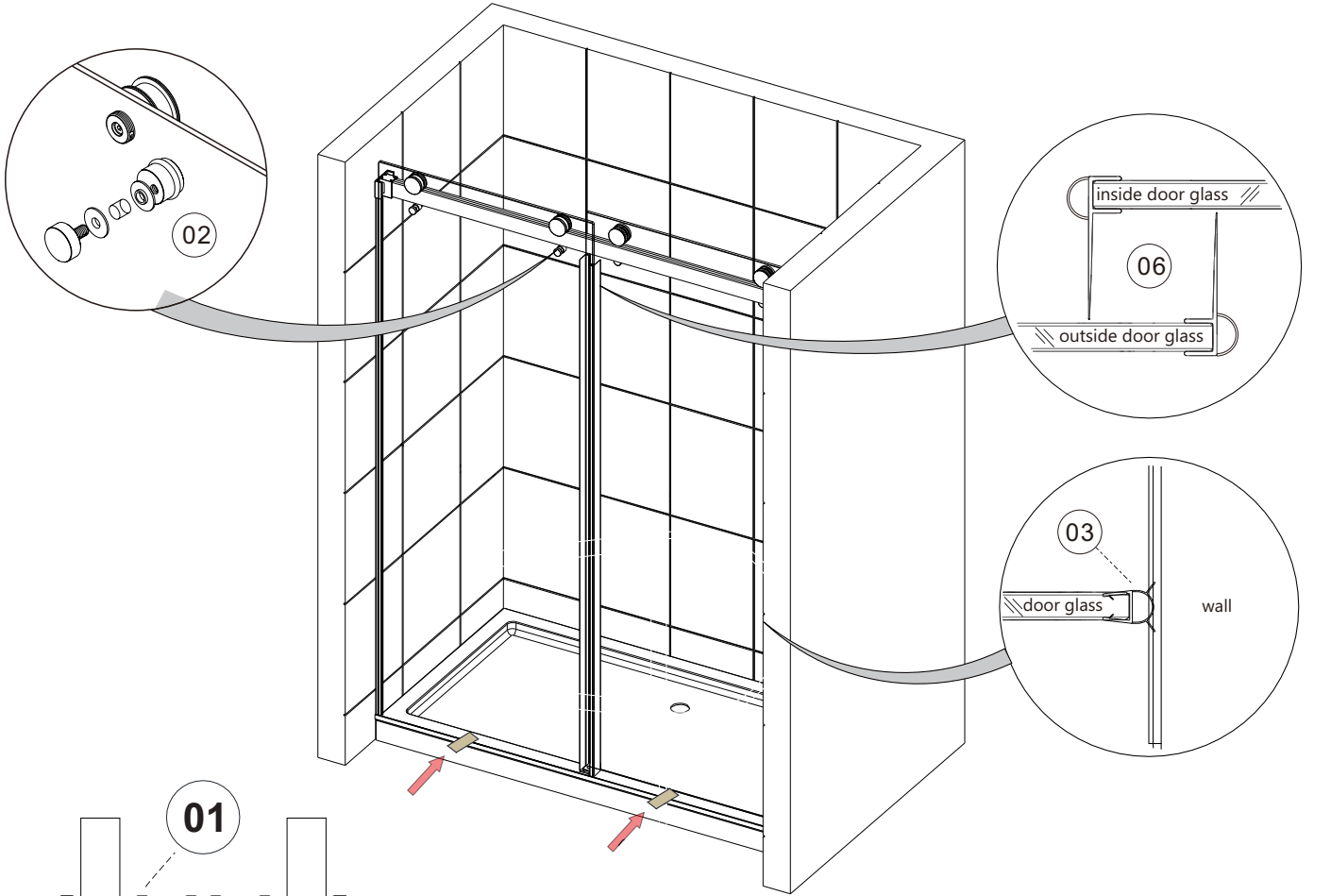
Lower glass



Raise glass

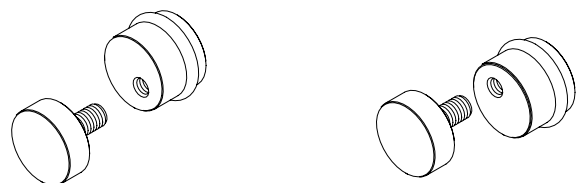


# Vinyl Seals & Roller Guard Installation

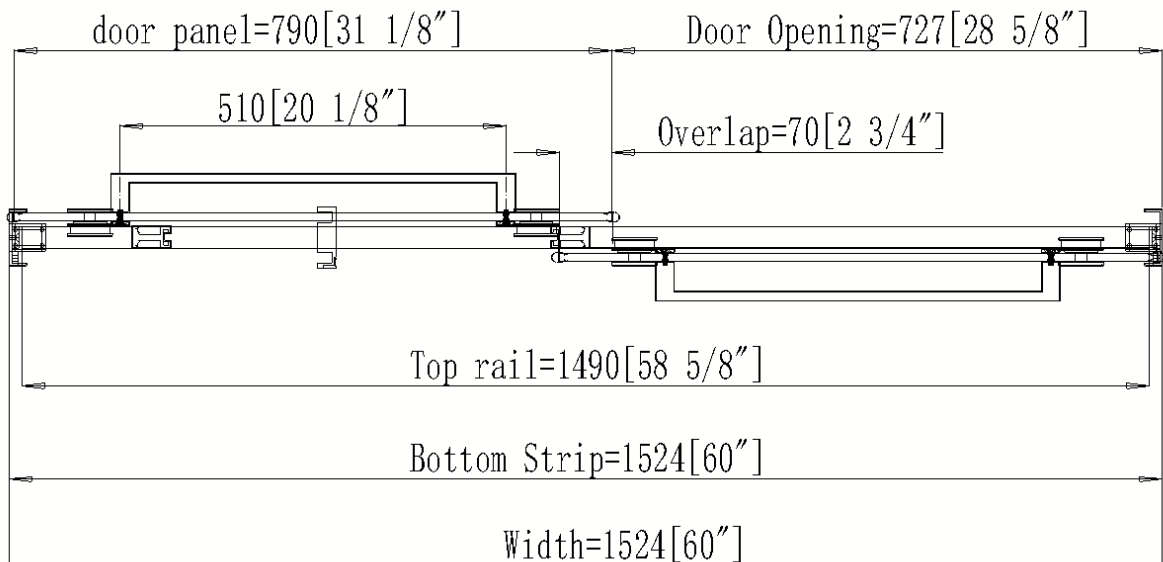
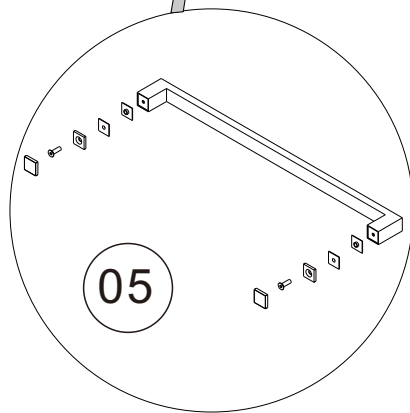
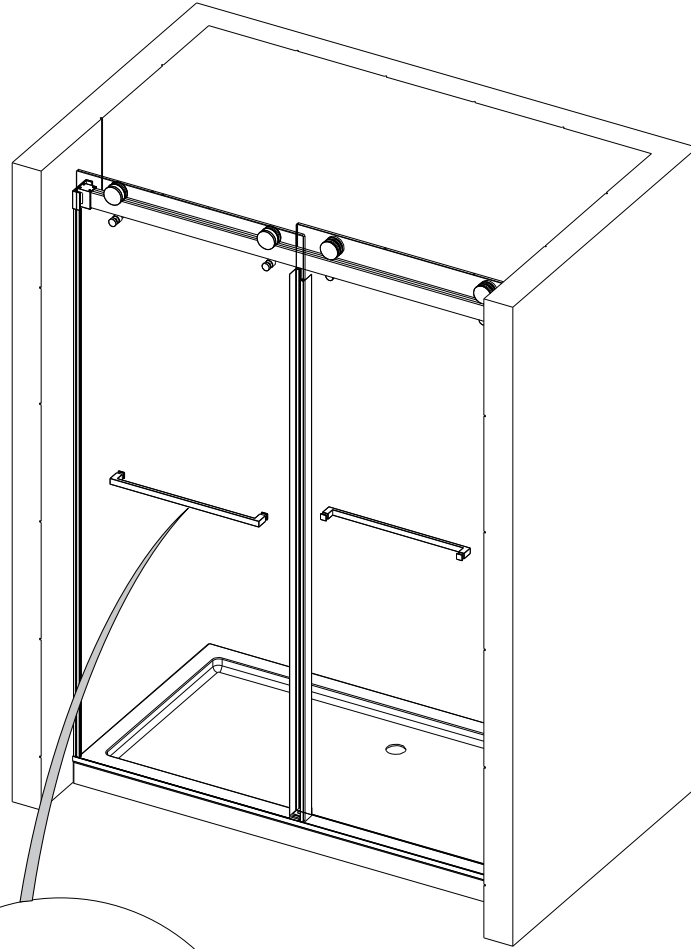


Raise

Lower

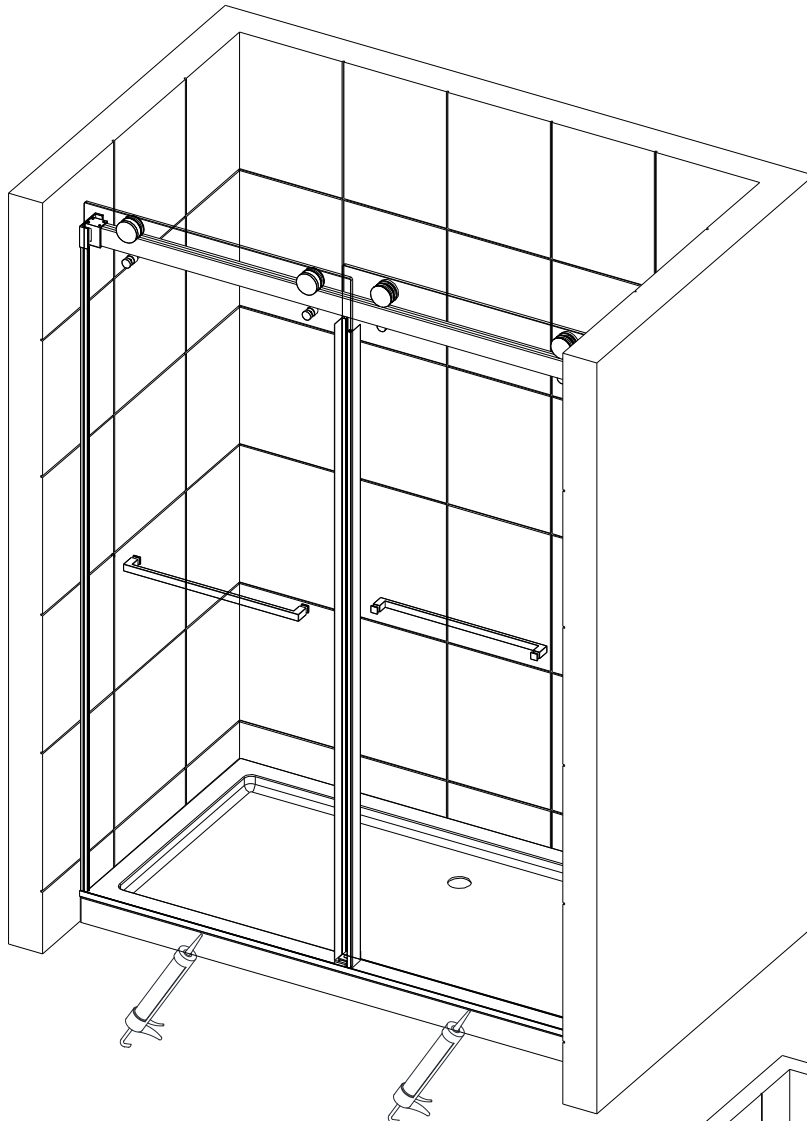


# Handles Installation





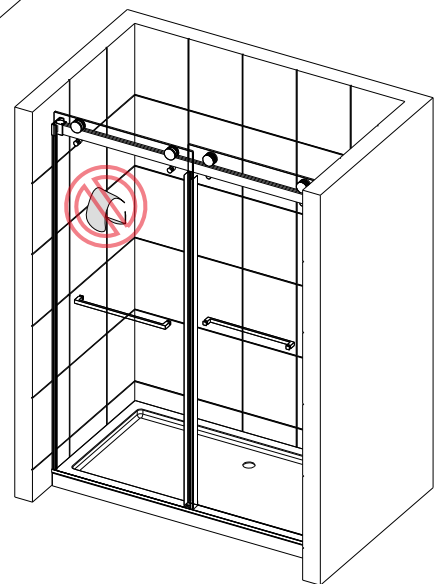
The surfaces need to be clean and free of debris before applying silicone.



Allow 24 hours for the silicone to cure before using the shower.



**DO NOT** hang or drape a towel or wash cloth over the Top Guide Rail as this may cause the Roller Assembly wheels to get stuck and possibly cause serious damage or injury.



## **Product Care & Maintenance**

- **Glass Panels**

After each shower, rinse and wipe the glass with a soft cloth or squeegee  
To prevent soap residue and water spots.

Hard water left to dry can cause permanent etching—drying after use is  
Highly recommended.

Do not use abrasive cleaners, scouring powders, bristle brushes, or  
Abrasive sponges that may scratch the glass.

- **Hardware & Metal Finishes**

Wipe metal parts dry with a soft cloth after each use to maintain their finish.

Avoid cleaners containing ammonia, bleach, or acids. If such cleaners

Come in contact, rinse immediately to prevent peeling or corrosion.

Clean stainless steel at least once a week. When using stainless steel

Polish, always wipe in the direction of the grain.

Never use steel wool, wired brushes, or abrasive pads on metal surfaces.

## **Maintenance Checklist**

- Ensure the unit is stable, operates smoothly, and is securely installed
- Verify panel glass and brackets are properly secured
- Check guide block alignment with the threshold and glass
- Confirm proper clearance beneath the door glass
- Inspect screws and tighten if needed
- Inspect vinyl seals; replace if damaged or missing
- Examine all glass edges for chips or cracks
- Replace any damaged glass immediately

# Troubleshooting

Problem/Symptom	Suggested Solution
Missing Parts	<ul style="list-style-type: none"> <li>•Check all shipping/packaging material for missing parts/components.</li> <li>•If not found, contact Email: <a href="mailto:supports@ibathwiller.com">supports@ibathwiller.com</a> to order factory part replacement.</li> </ul>
Top Guide Rail was cut too short or was cut from wrong end during installation.	<ul style="list-style-type: none"> <li>•The <b>Top Guide Rail (#14)</b> is pre-cut for the model size, and will be shorter than the model width to allow for the <b>Guide Rail Brackets (#12)</b>.</li> <li>•If the <b>Top Guide Rail (#14)</b> is cut too short or cut from the wrong end, contact Email: <a href="mailto:supports@ibathwiller.com">supports@ibathwiller.com</a> to order factory part replacement.</li> </ul>
Water Leakage	<ul style="list-style-type: none"> <li>•Confirm the <b>Bottom Threshold (#07)</b>, <b>Bulb Vinyl Strip (#03)</b>, and the <b>Vertical Vinyl Strips (#06)</b> are installed correctly.</li> <li>•Confirm that the entire unit has been properly sealed with silicone caulk; allow at least 24 hours to allow the silicone to cure and set before using the shower unit.</li> <li>•Direct the shower head/water flow away from the area.</li> </ul>
The door rolls open or closed	<ul style="list-style-type: none"> <li>•Check the <b>Top Guide Rail (#14)</b> for level. Adjust the <b>Guide Rail Brackets (#12)</b></li> <li>•Adjust the <b>Roller Wheel Assemblies (#01)</b> on the door, if needed, to allow the door to seal evenly against the wall.</li> <li>•To influence the <b>Top Guide Rail (#14)</b> slightly, the innermost <b>Glass-to-Rail Brackets (#12)</b> can be adjusted.</li> <li>•Confirm the <b>Guide Block (#09)</b> is square to the <b>Panel Glass (#04)</b> and threshold.</li> </ul>
The door does not track smoothly	<ul style="list-style-type: none"> <li>•Confirm the <b>Door Glass (#04)</b> is not making contact with the bottom of the <b>Guide Block (#09)</b>.</li> <li>•If the <b>Door Glass (#04)</b> needs to be raised, adjust the <b>Roller Wheel Assemblies (#01)</b> to raise it.</li> <li>•Be sure that there is nothing on the <b>Top Guide Rail (#14)</b> that could block the <b>Roller Wheel Assemblies (#01)</b>.</li> <li>•Check the <b>Bottom Roller Assemblies (#01)</b> are 1/16" beneath the <b>Top Guide Rail (#14)</b> and are not making any contact with the <b>Top Guide Rail (#14)</b>.</li> </ul>
Mishandled glass	<ul style="list-style-type: none"> <li>• Always take precautions when handling tempered glass.</li> <li>• A glass suction cup and an assistant are helpful when carrying large, heavy lites of glass.</li> <li>•Never allow tempered glass (especially the edges) to come in contact with any hard surface, which can cause chipping, splintering or complete glass failure.</li> <li>•Any damaged glass should be immediately replaced.</li> <li>•Do not use a shower with damaged glass.</li> <li>•Leave plastic corner protectors on the glass until ready to install.</li> <li>•Always protect the glass once removed from the box by padding the top and bottom of the glass with cardboard, styrofoam or other soft material until ready to install.</li> </ul>

Do not return product to store. Contact us with any questions.

Add: 830 N. Central Avenue, Upland CA, 91786

Web: [www.ibathwiller.com](http://www.ibathwiller.com)

Email: [supports@ibathwiller.com](mailto:supports@ibathwiller.com)