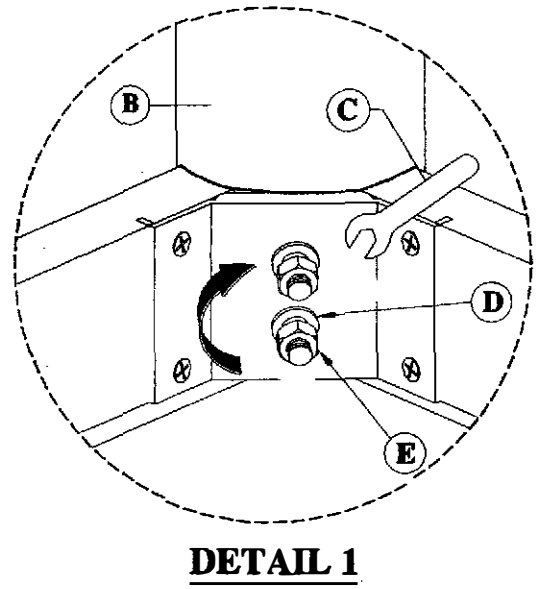
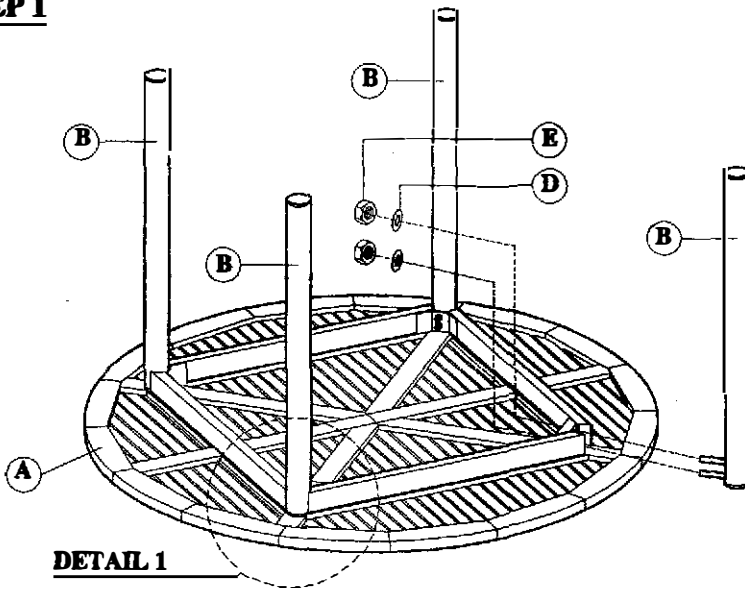


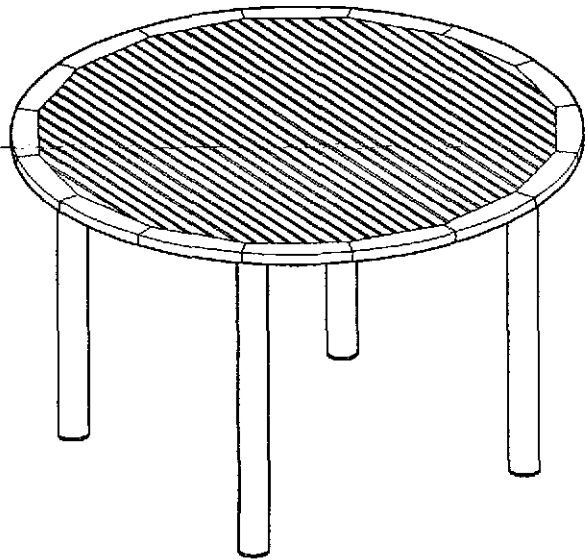
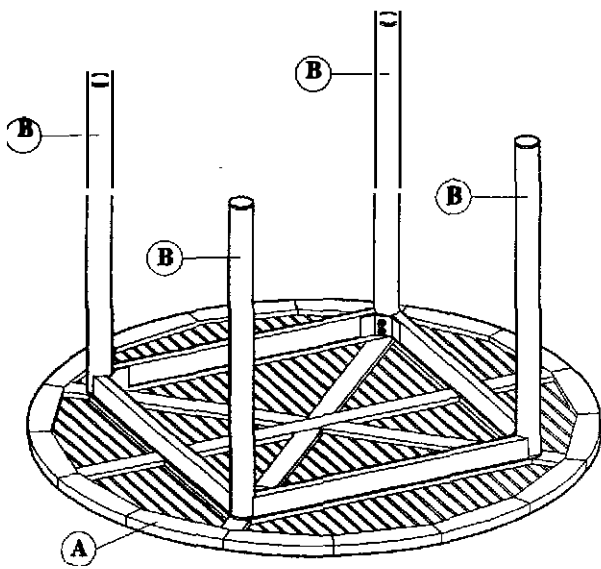
ASSEMBLY INSTRUCTIONS


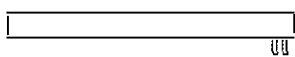



TEAKWOOD ROUND TABLE (ATF74)

STEP 1



STEP 2



NO.	PARTS.	QTY.
A	TABLE TOP 	1
B	LEGS. 	4
C	WRENCH 	1
D	WASHER 	8
E	NUT 	8