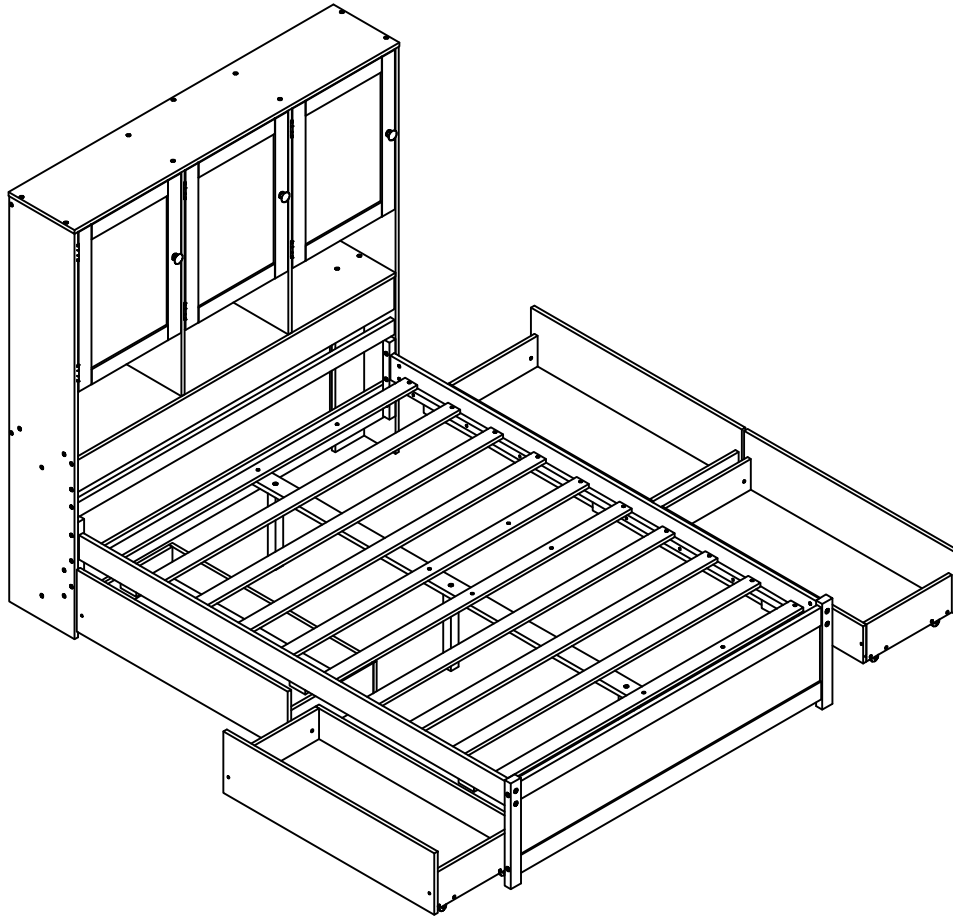


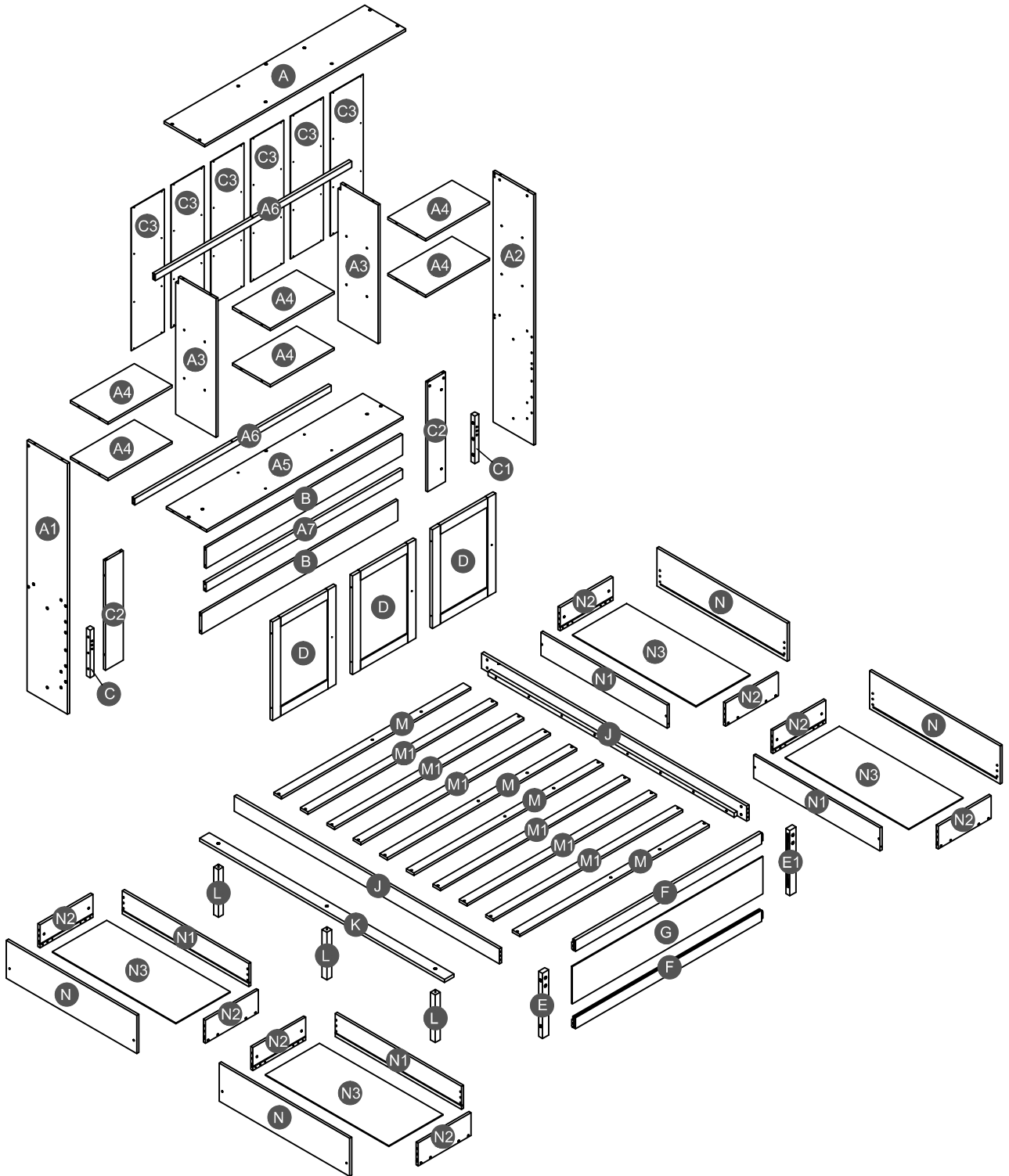
ASSEMBLY INSTRUCTIONS

FULL BED WITH 4 DRAWERS AND CABINETS




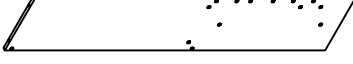
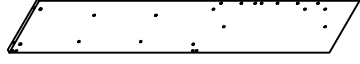
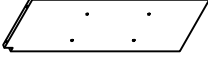


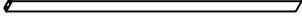


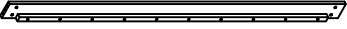

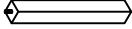


WF322503/WF322504

Detail View






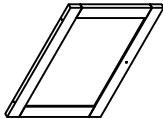
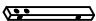


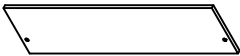
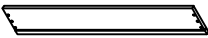
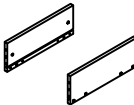



Part List

WF322503

<p>A</p>  <p>Top panel - 1pc</p>	<p>A1</p>  <p>Side panel (Left) - 1pc</p>	<p>A2</p>  <p>Side panel (Right) - 1pc</p>
<p>A3</p>  <p>Divider panel - 2pcs</p>	<p>A5</p>  <p>Shelf panel - 1pc</p>	<p>A6</p>  <p>Horizontal bar (Back) - 2pcs</p>
<p>A7</p>  <p>Lower horizontal bar (Front) - 1pc</p>	<p>B</p>  <p>Lower horizontal bar (Front) - 2pcs</p>	<p>G</p>  <p>Side panel FB - 1pc</p>
<p>J</p>  <p>Side rail - 2pcs</p>	<p>K</p>  <p>Lower support slat - 1pc</p>	<p>L</p>  <p>Leg support - 3pcs</p>
<p>M</p>  <p>Slats - 4pcs</p>	<p>M1</p>  <p>Slats - 6pcs</p>	

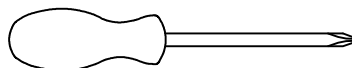
WF322504 + Hardware inside

<p>A4</p>  <p>Shelf panel - 6pcs</p>	<p>C</p>  <p>Support HB (Left) - 1pc</p>	<p>C1</p>  <p>Support HB (Right) - 1pc</p>
<p>C2</p>  <p>Vertical bar support - 2pcs</p>	<p>C3</p>  <p>Back panel - 6pcs</p>	<p>D</p>  <p>Door - 3pcs</p>
<p>E</p>  <p>Leg FB (Left) - 1pc</p>	<p>E1</p>  <p>Leg FB (Right) - 1pc</p>	<p>F</p>  <p>Horizontal bar FB - 2pcs</p>
<p>N</p>  <p>Front drawer panel - 4pcs</p>	<p>N1</p>  <p>Back drawer panel - 4pcs</p>	<p>N2</p>  <p>Left / right drawer panel - 8pcs</p>
<p>N3</p>  <p>Drawer bottom - 4pcs</p>		

Hardware List WF322504


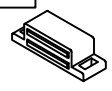
1  Ø10*20mm Wood dowel (16pcs)	2  Ø8*30mm Wood dowel (66pcs)	3  (Ø15)1/4"*80mm Hex-Head bolts (12pcs)
4  (Ø12)1/4"*60mm Hex-Head bolts (54pcs)	5  (Ø12)1/4"*40mm Hex-Head bolts (6pcs)	6  1/4"*15 (9.5mm) Horizontal-Hole bolts(66pcs)
7  (Ø12)1/4"*40mm Hex-Head bolts (2pcs)	8  Ø4*30mm Wood screws (68pcs)	9  Ø3.5*15mm Wood screws (52pcs)
10  Ø3.5*15mm Wood screws (62pcs)	11  Ø38*31mm Pine Knob (3pcs)	12  3/16"*25mm Ph zinc(Knob) (3pcs)
13  (1/4")4.5*58mm Allen key (1pc)	14  42*12*1mm Metal magnet (3pcs)	15  45*17*13mm Door catch (3pcs)
16  70*37*28mm (135°) Metal bracket (6pcs)	17  40*18*18*2mm Metal bracket (2pcs)	18  100*52*20 mm Wheels (16pcs)
19  70*35*19 mm Drawer stopper (6pcs)	20  Ø9*32mm Plastic anchor (2pcs)	21  58*16*16*1.5mm Metal bracket (2pcs)
22  Ø4*38mm Wood screws (2pcs)		

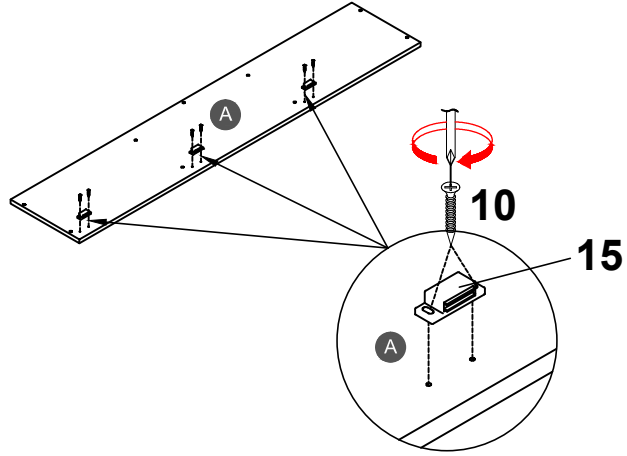
ASSEMBLY TOOLS REQUIRED (NOT INCLUDED)




PLEASE BE CAREFUL DO NOT DAMAGE THE HOLE POSITION WHEN YOU USE POWER TOOLS !

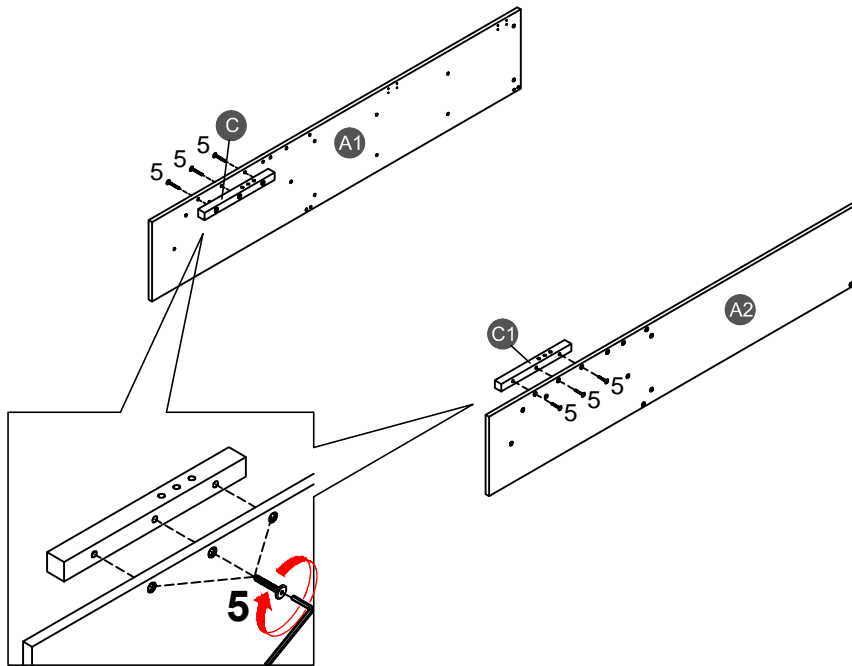
STEP 1:

10		15	
6PCS		3PCS	



STEP 2:

5	
6PCS	

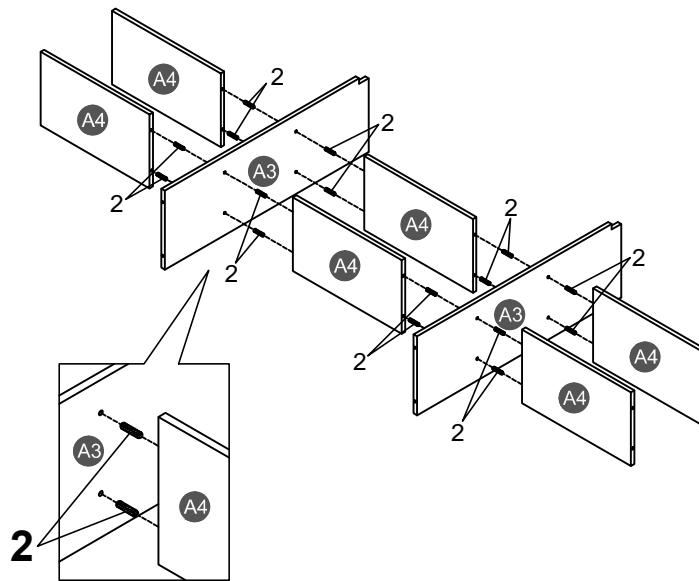


STEP 3:

2



16PCS



STEP 4:

4

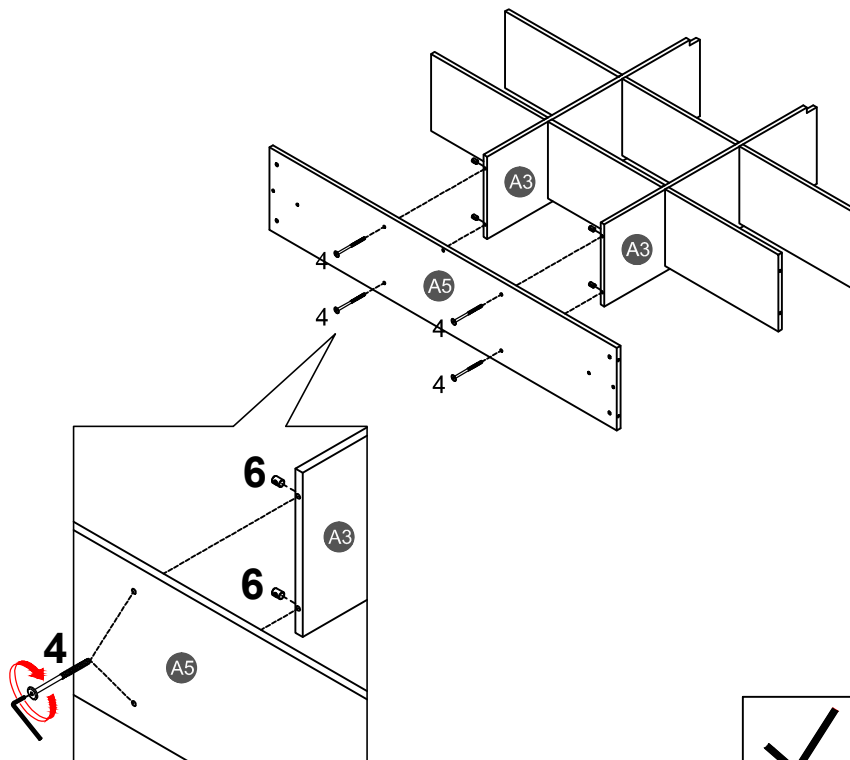


4PCS

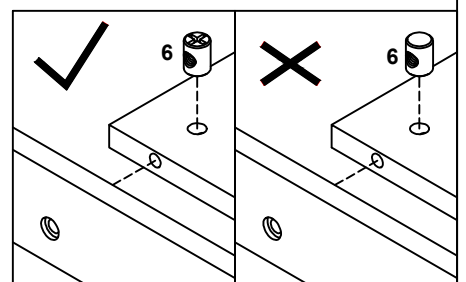
6



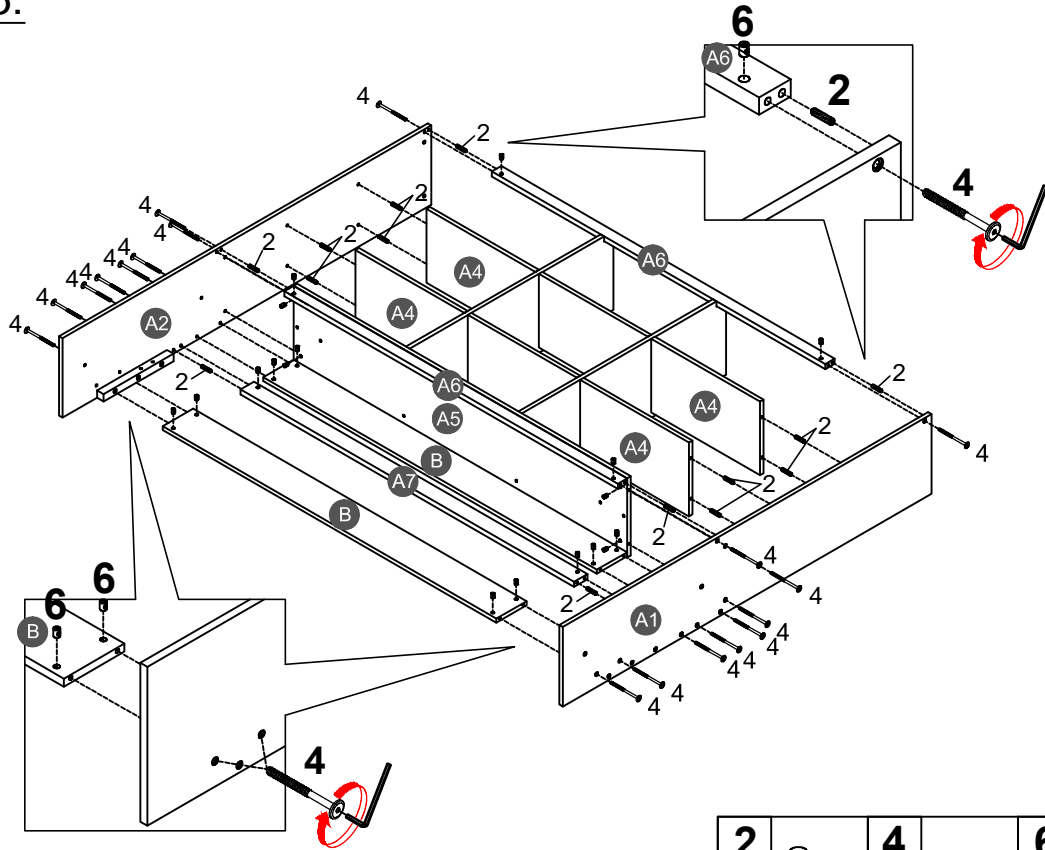
4PCS






Note: Part 6 will face up with the "x" mark on it, otherwise it cannot be tightened

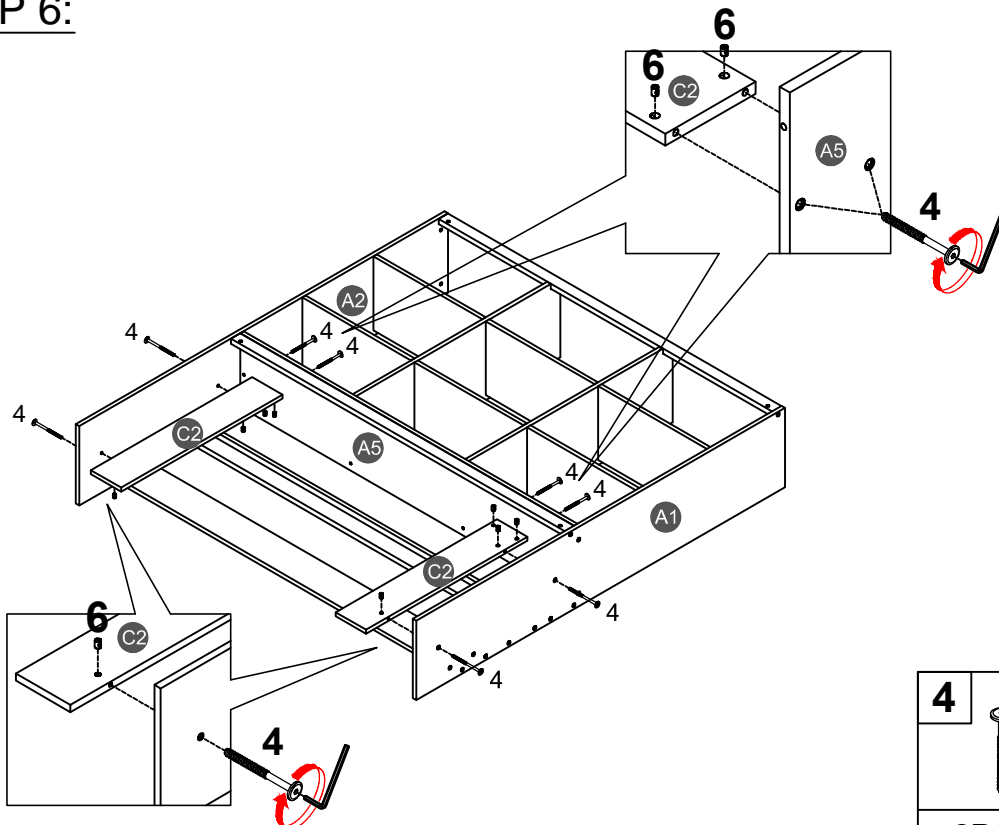




STEP 5:






2		4		6	
14PCS		18PCS		18PCS	

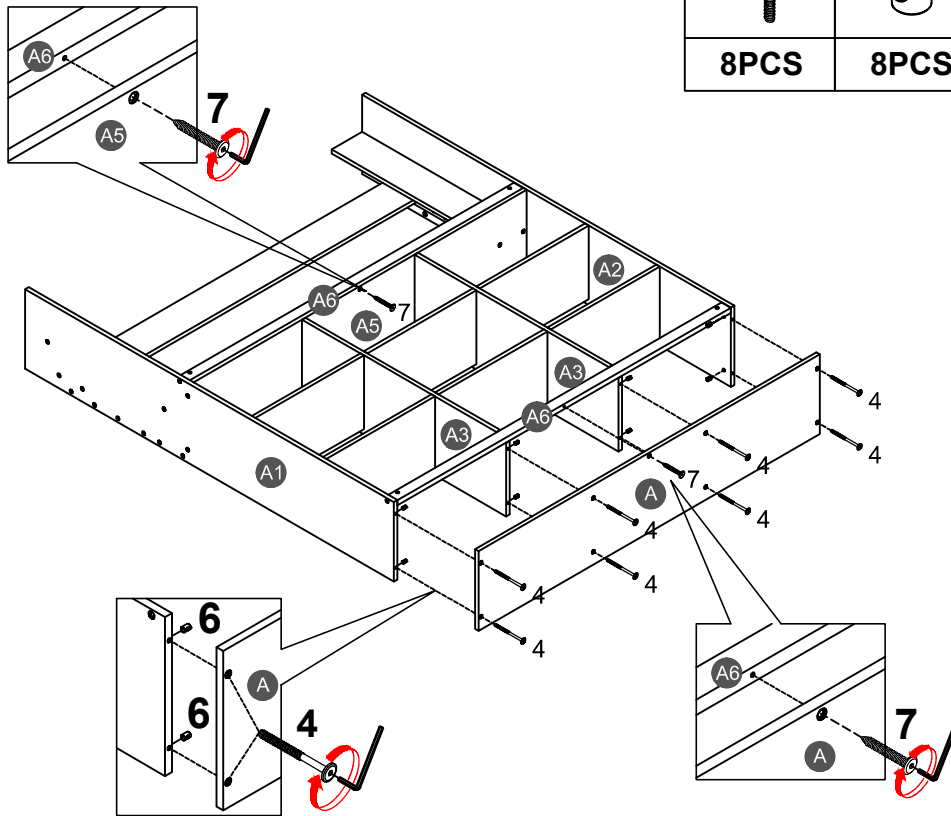
STEP 6:




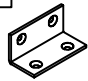
4		6	
8PCS		8PCS	

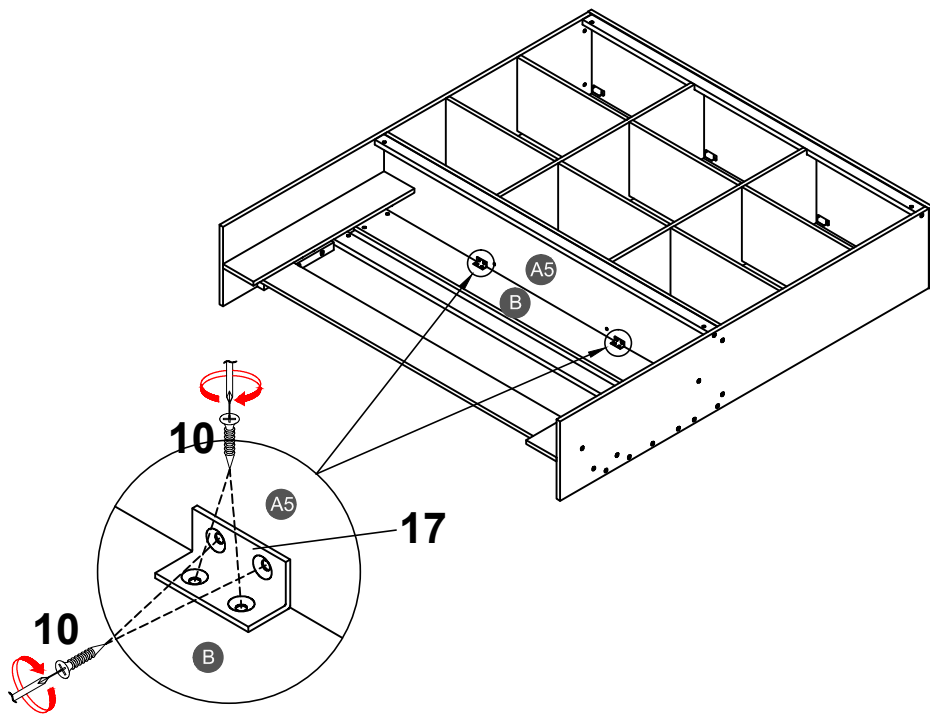
STEP 7:

4		6		7	
8PCS		8PCS		2PCS	

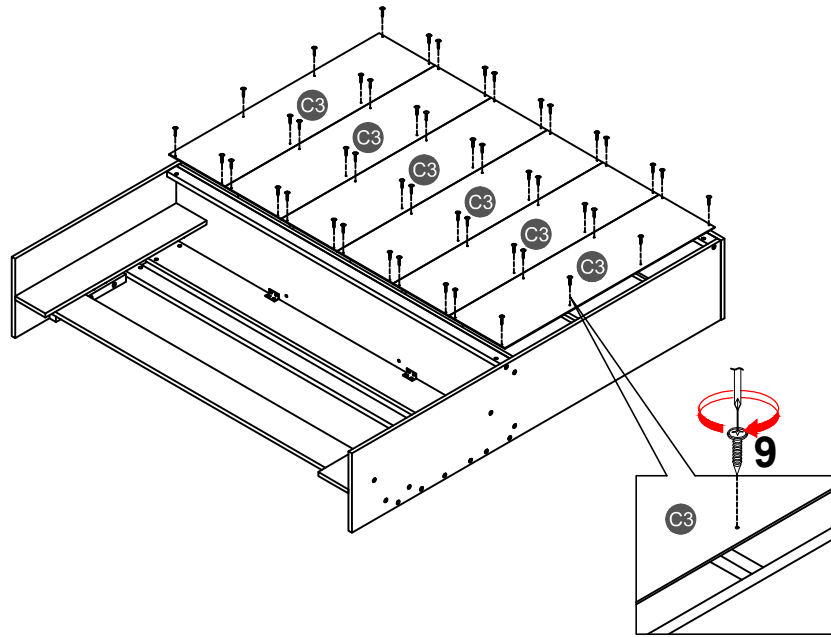


STEP 8:

10		17	
8PCS		2PCS	



STEP 9:

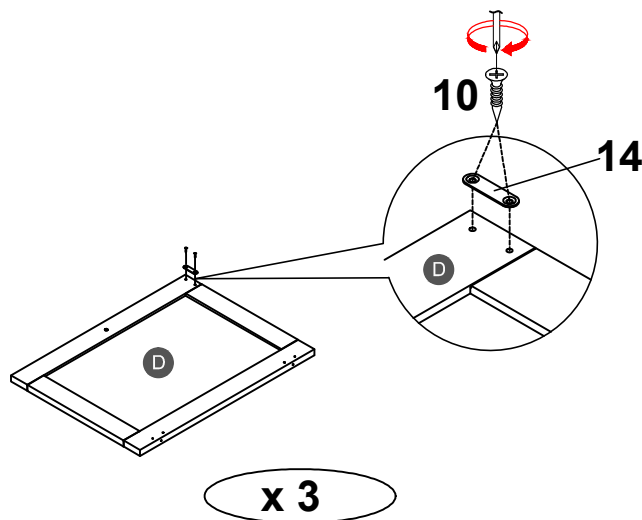


9



48PCS

STEP 10:



10



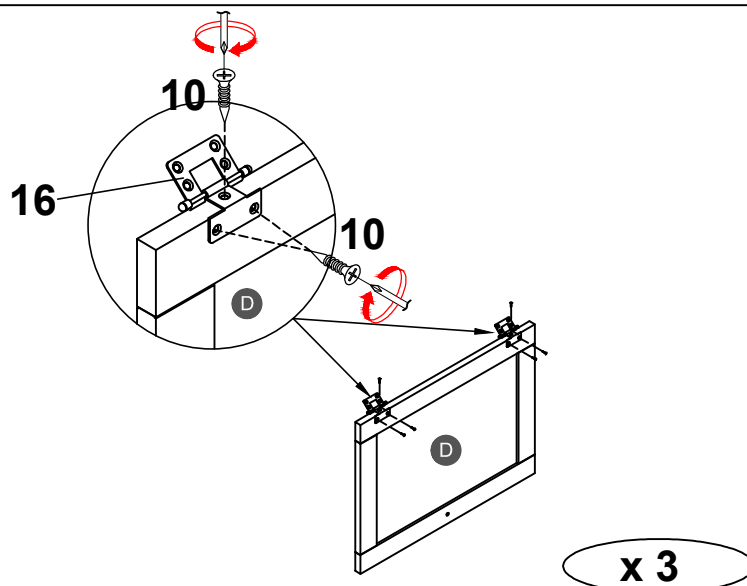
6PCS

14



3PCS

STEP 11:



10





18PCS

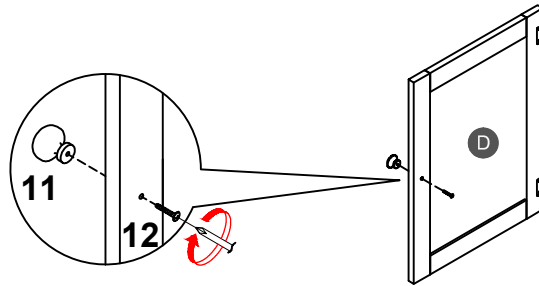
16



6PCS


STEP 12:

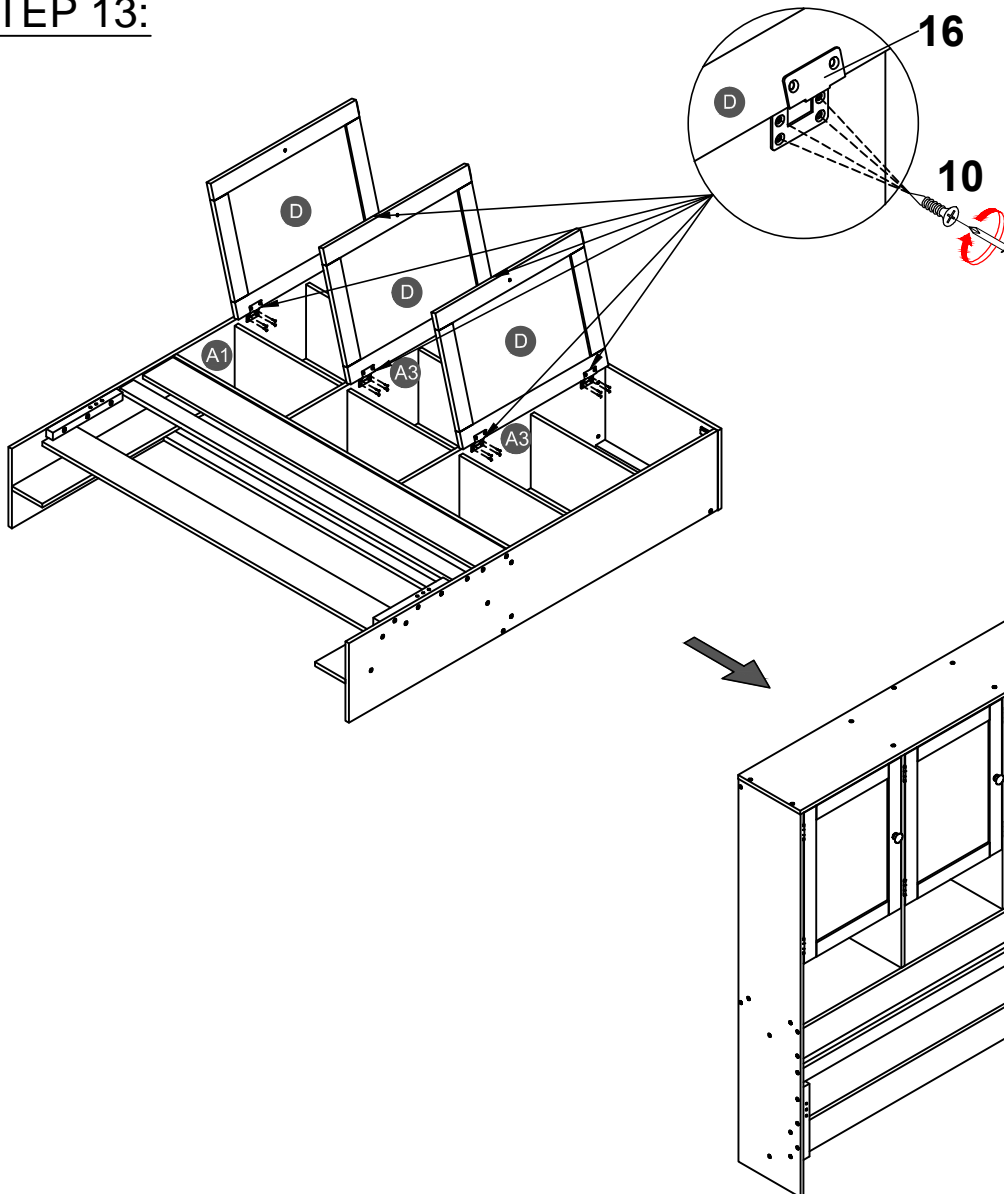
11	12
	
3PCS	3PCS



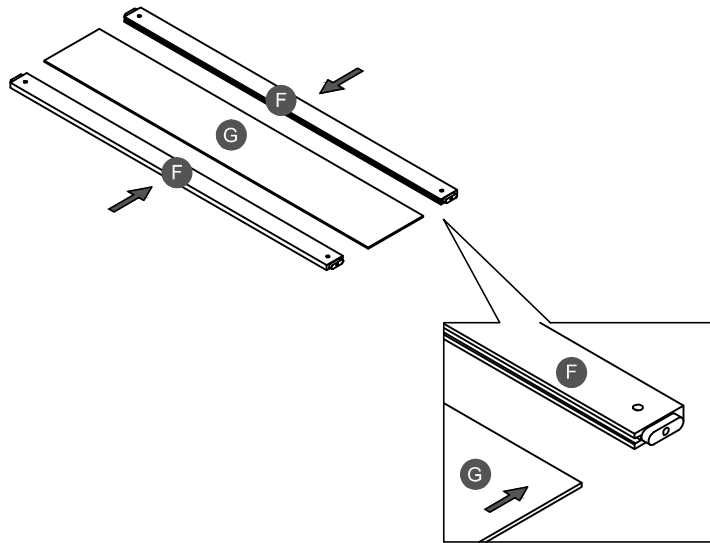
x 3

STEP 13:



10

24PCS

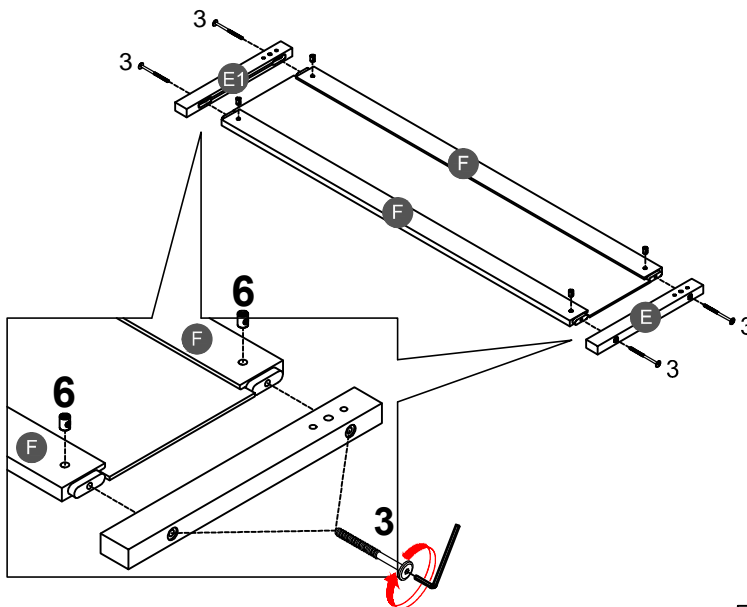


STEP 14:

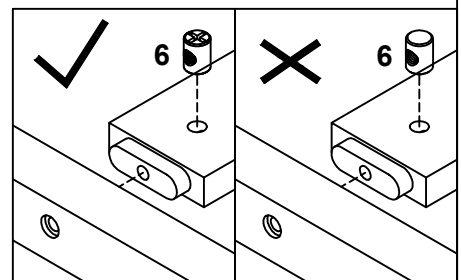


STEP 15:


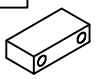
3		6	
4PCS		4PCS	

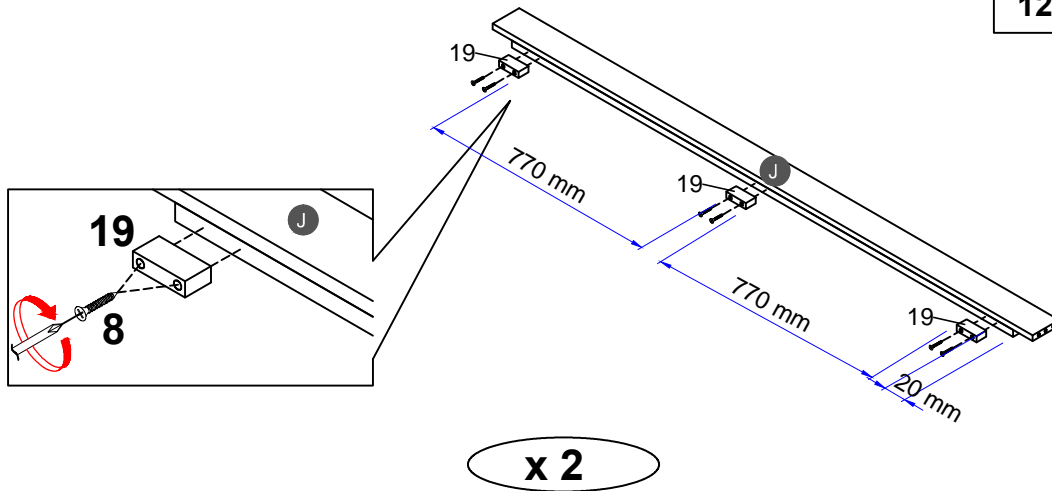


Note: Part 6 will face up with the "x" mark on it, otherwise it cannot be tightened






STEP 16:

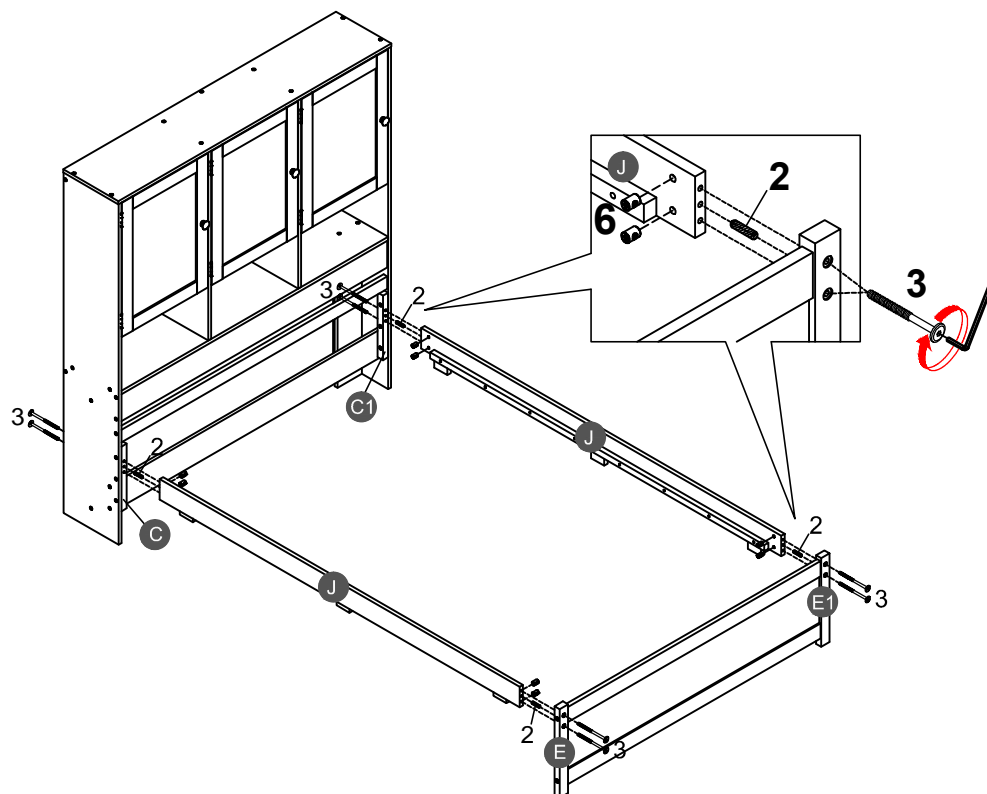
8		19	
12PCS		6PCS	



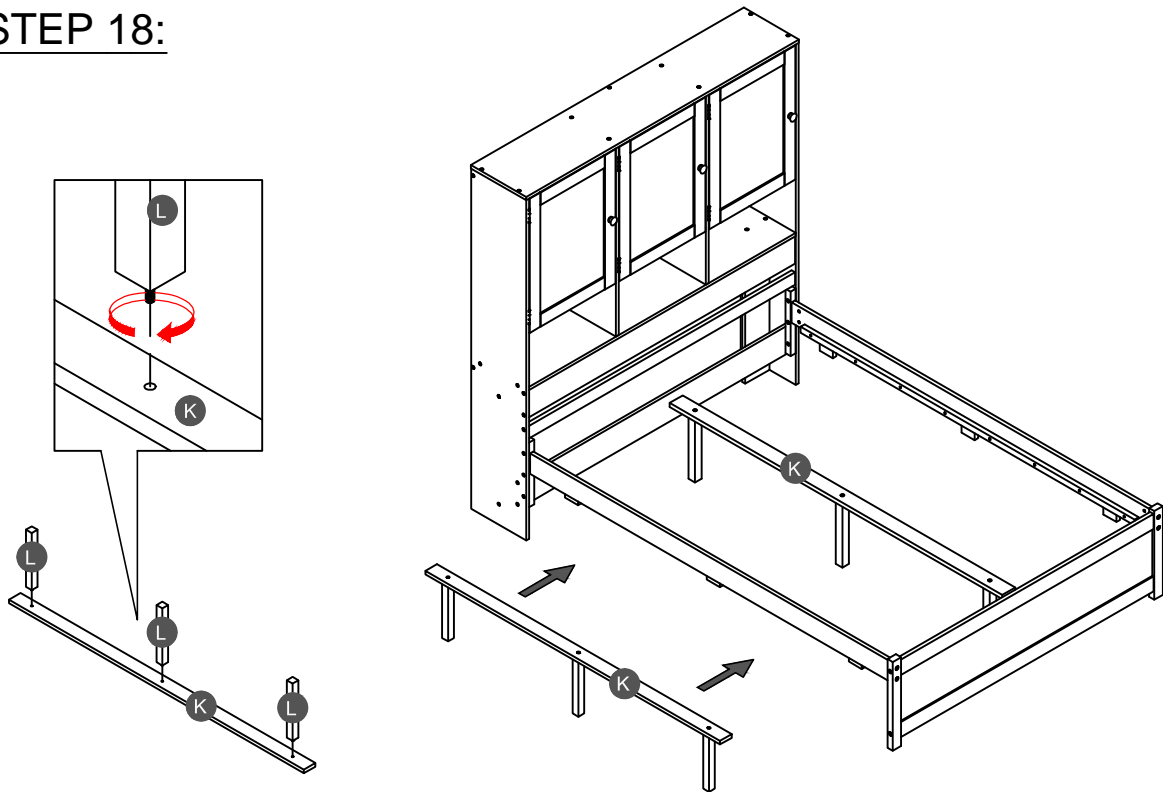
Drawer stopper (19) with lower side rail front (J) by using screw (8).

STEP 17:

2		3		6	
4PCS		8PCS		8PCS	



STEP 18:



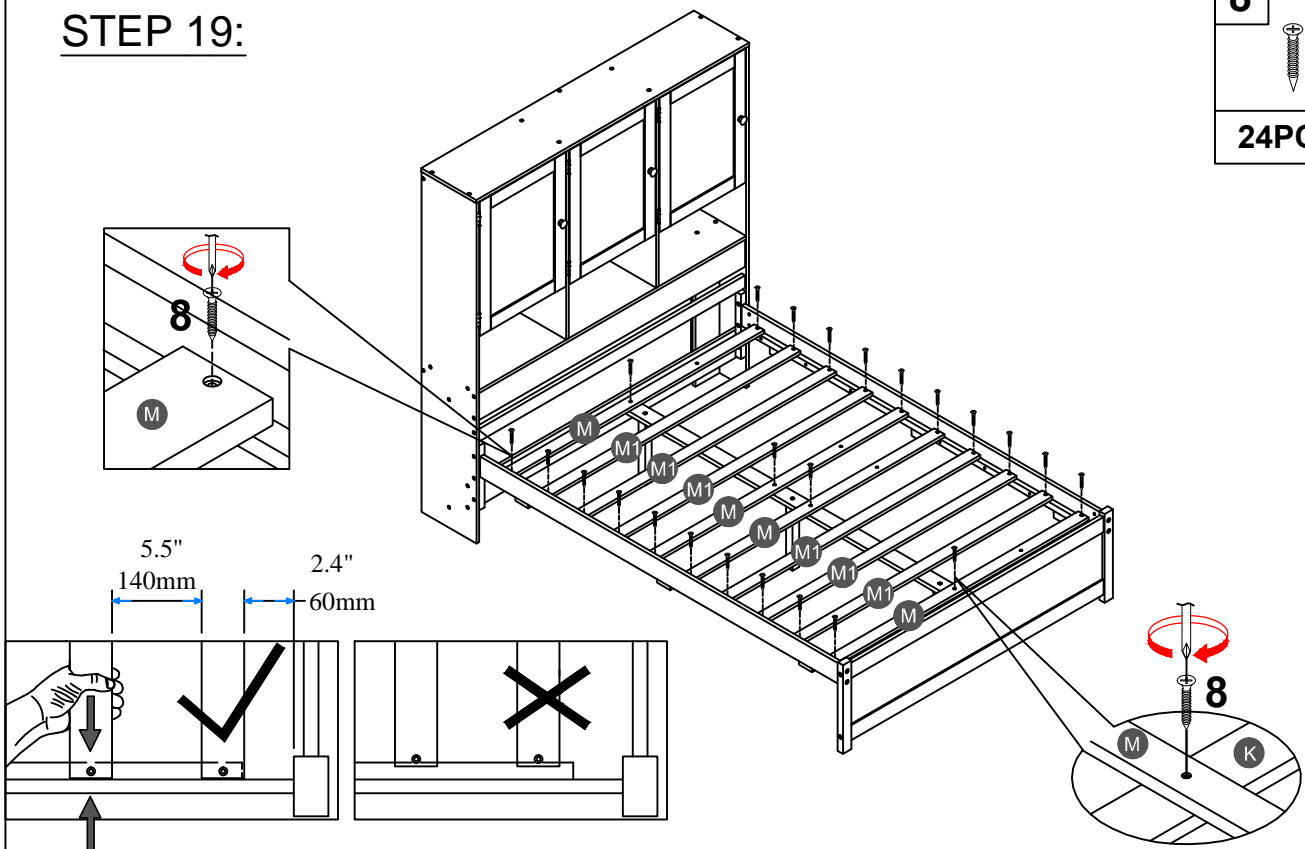
Assembling leg support (L) with lower support slat (K) later rotate, Move support slat inside Full bunkbed.

STEP 19:

8






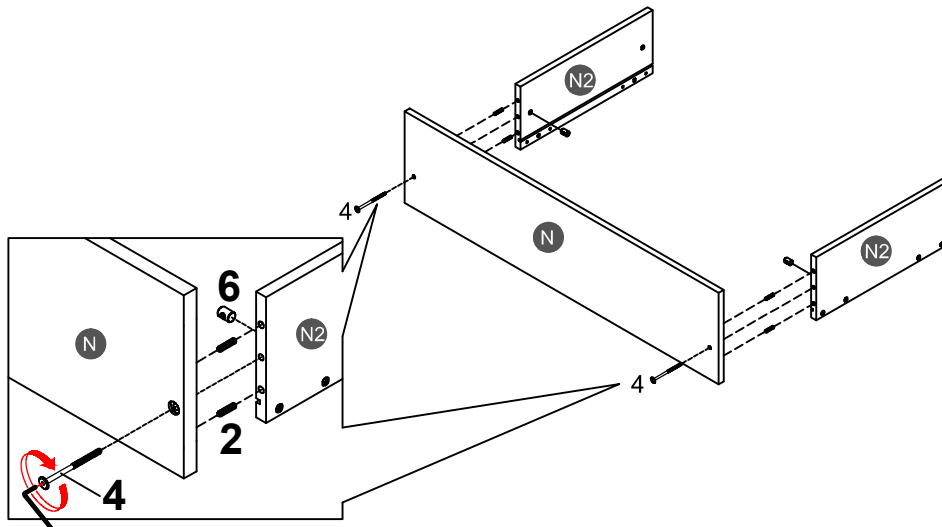
24PCS



NOTE: Please make sure the bed slats close to the side rail before locking the screws to avoid breakage. This step is required for both the left and right sides. Moreover, please do not lock the screws of the bed slats at the outermost edge to avoid damaging.




STEP 20:

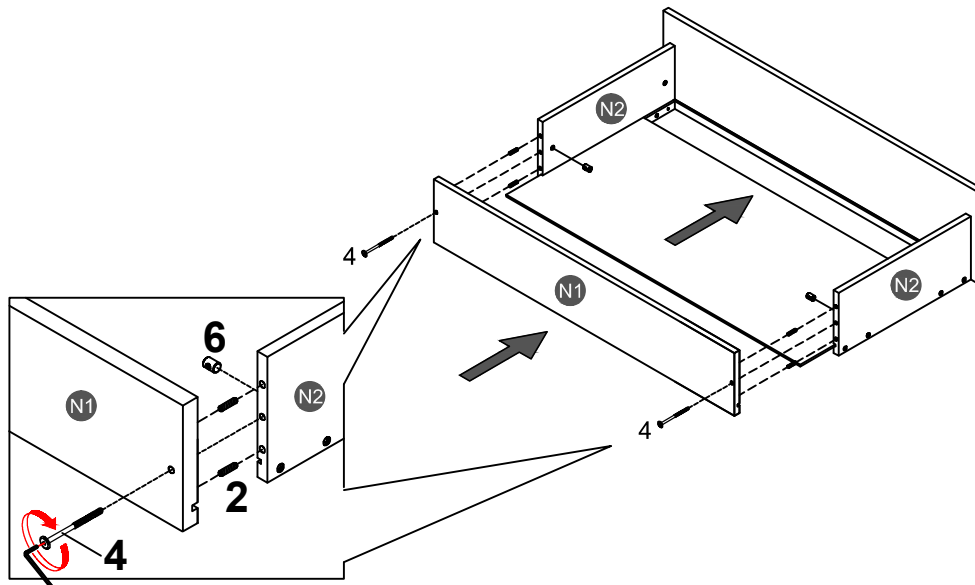
2		4		6	
16PCS		8PCS		8PCS	



x 4



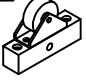
STEP 21:

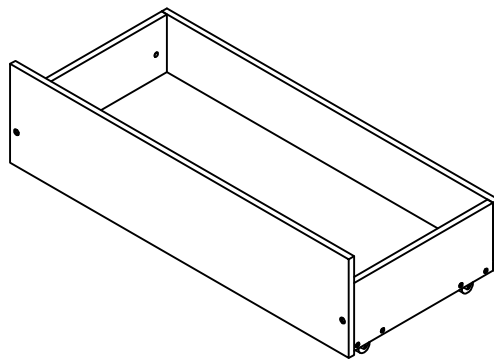
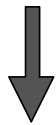
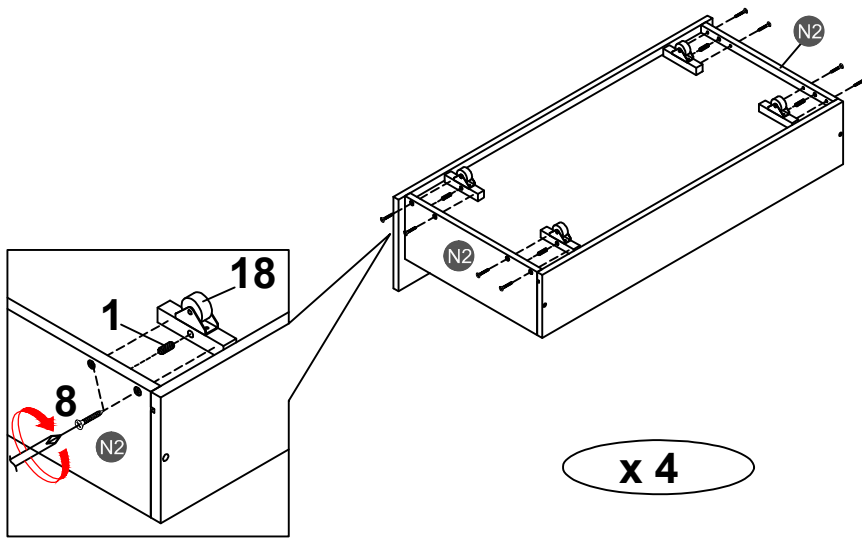
2		4		6	
16PCS		8PCS		8PCS	



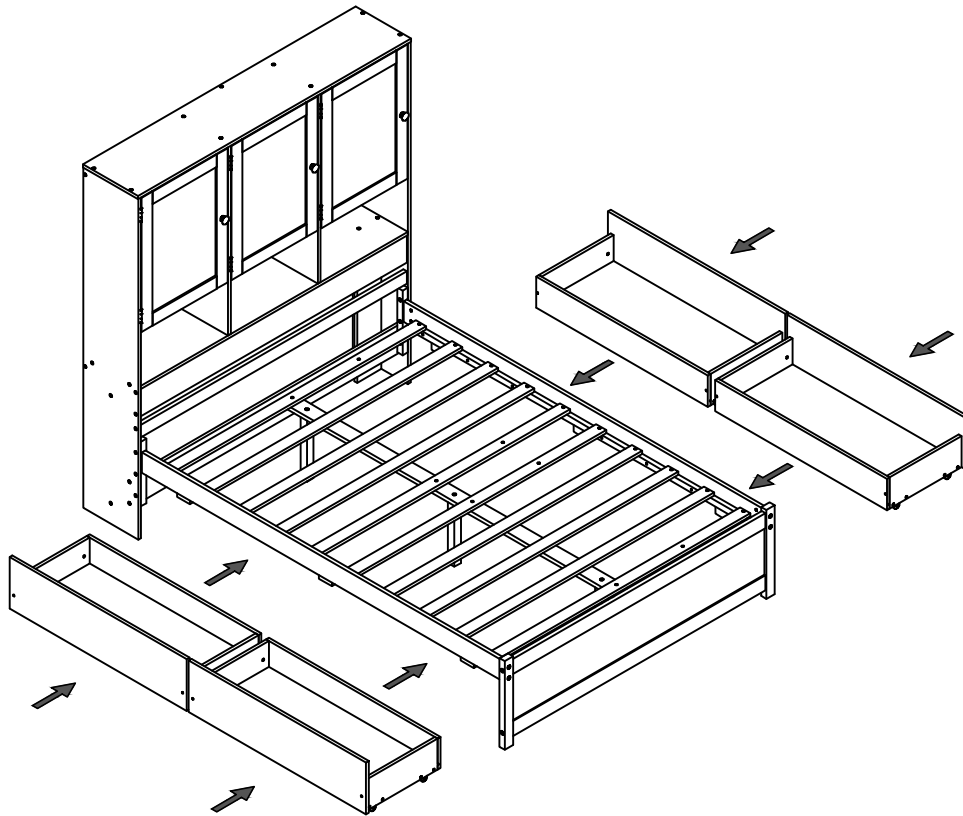
x 4

STEP 22:

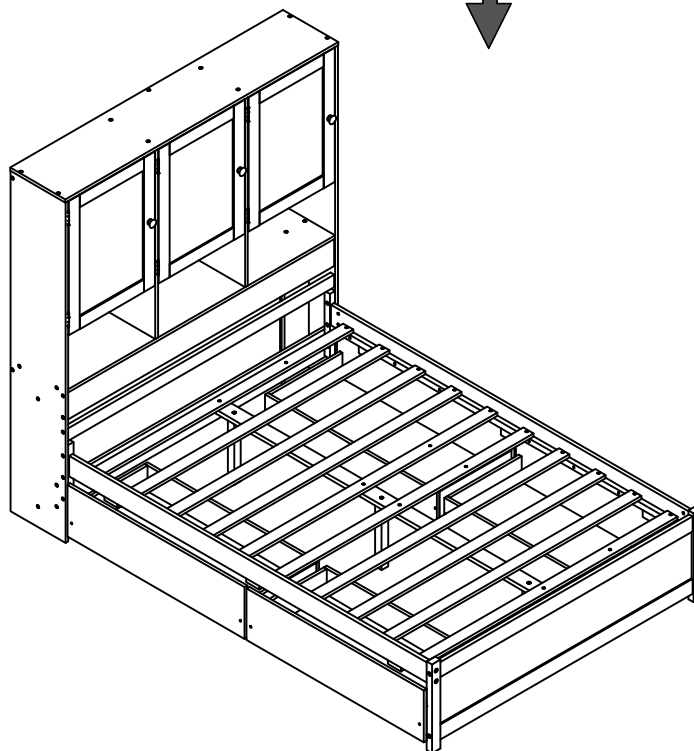
1	8	18
		
16PCS	32PCS	16PCS



STEP 23:

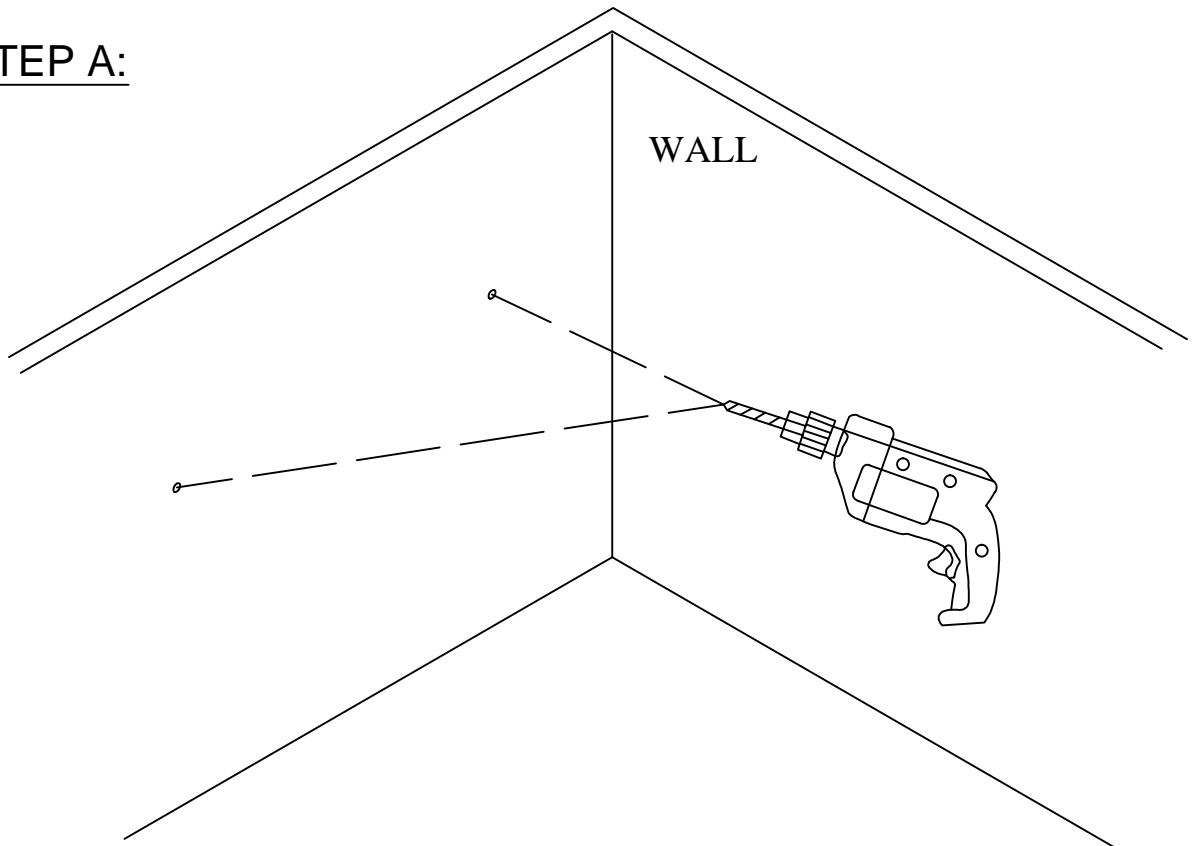


Push Drawer under the bottom of Bunk Bed.



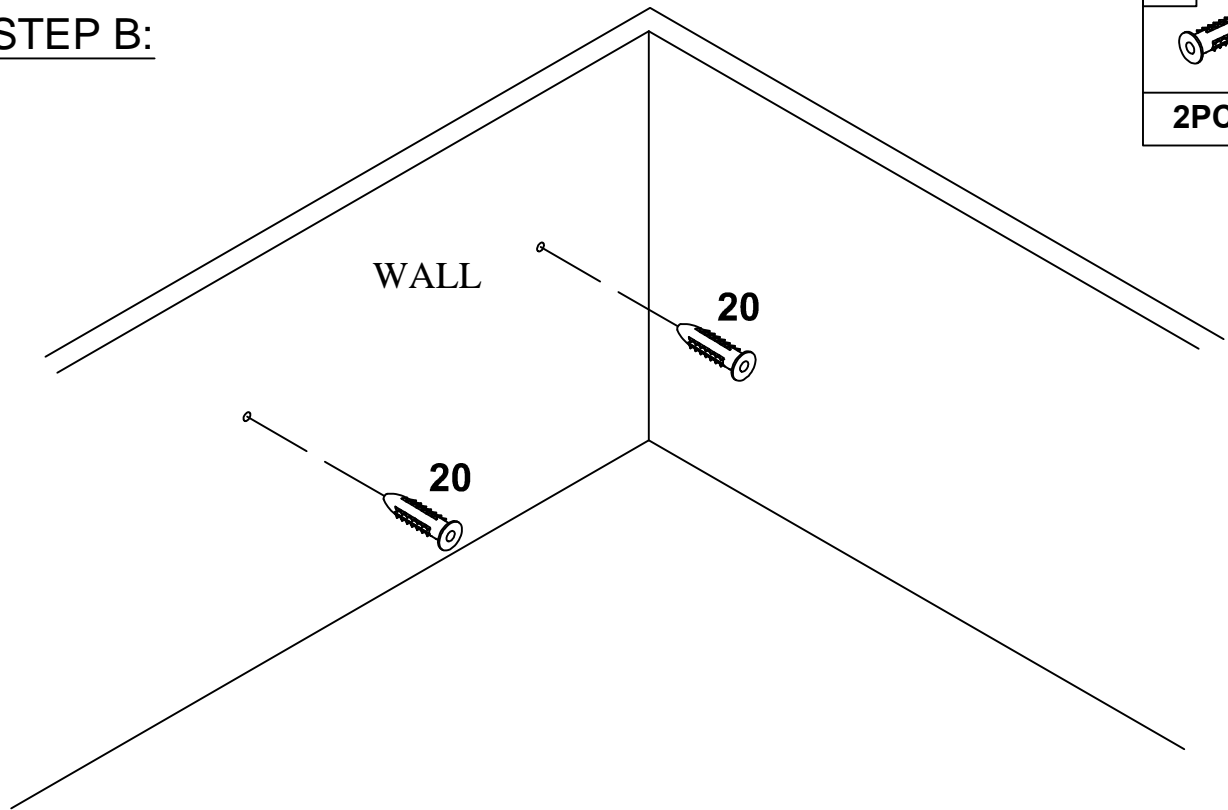
Make sure to tighten all the screws of the bed.

STEP A:






Drill holes in the wall.

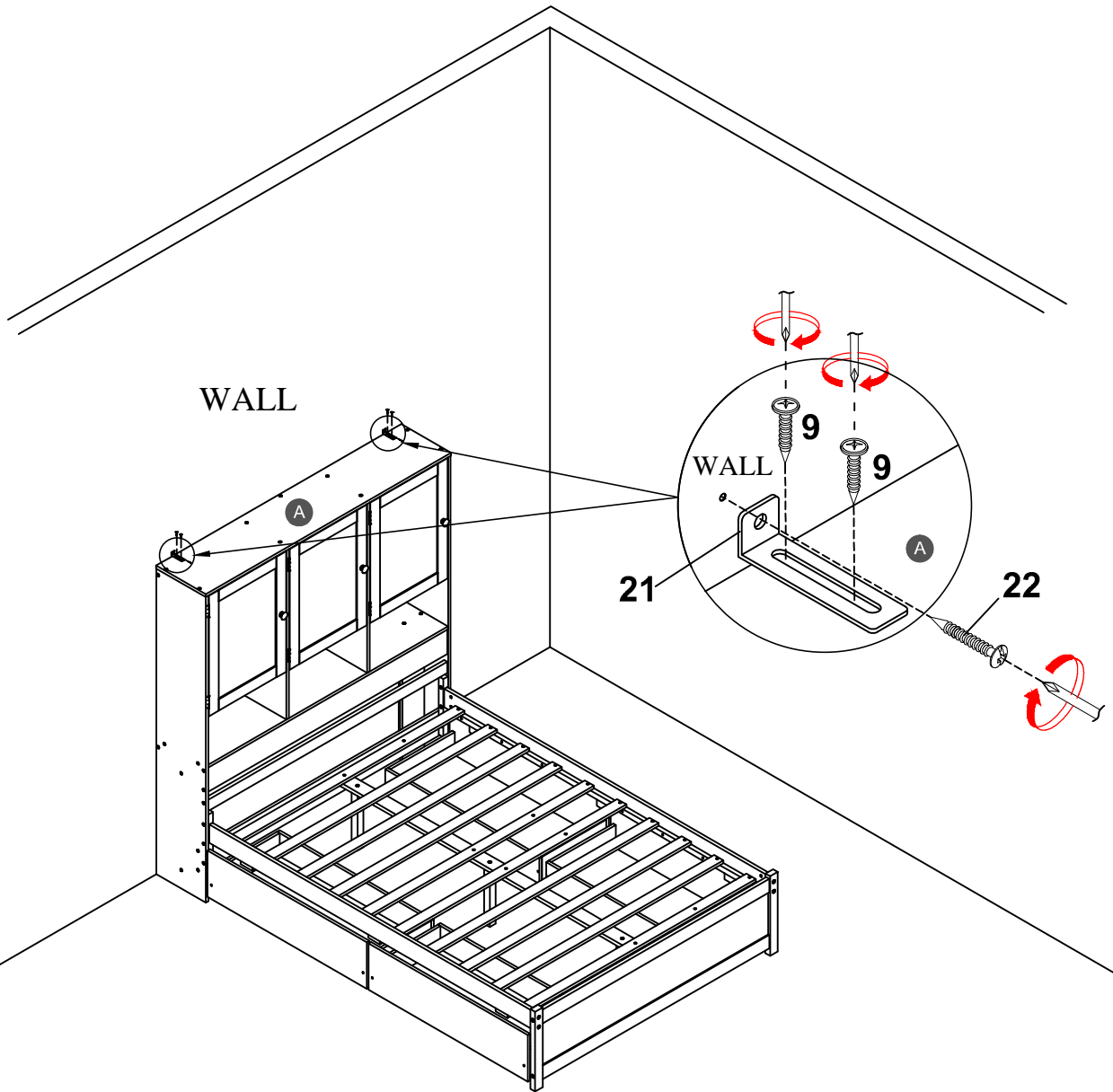
STEP B:



To drive plastic anchor into the wall.

STEP C:

9		21		22	
4PCS		2PCS		2PCS	



Fix the bracket to the wall with screw.