

STRUT



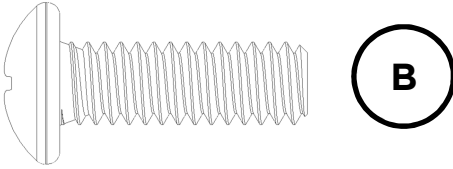
ASSEMBLY INSTRUCTIONS



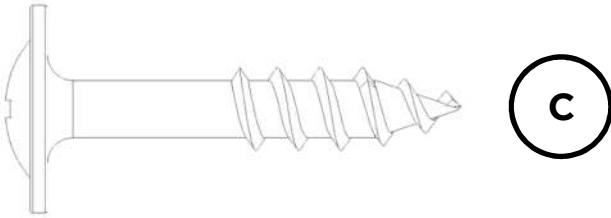
Provided Hardware



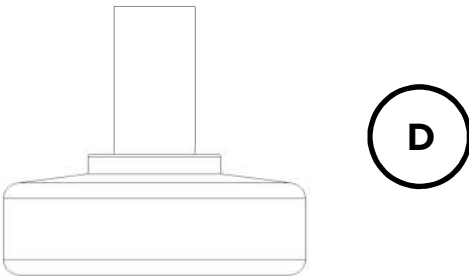
A



B



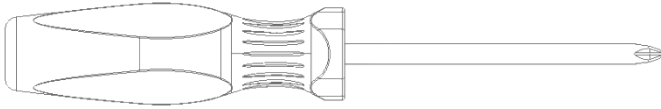
C



D

Tools Required

Not included



No. 2 Philips Screwdriver

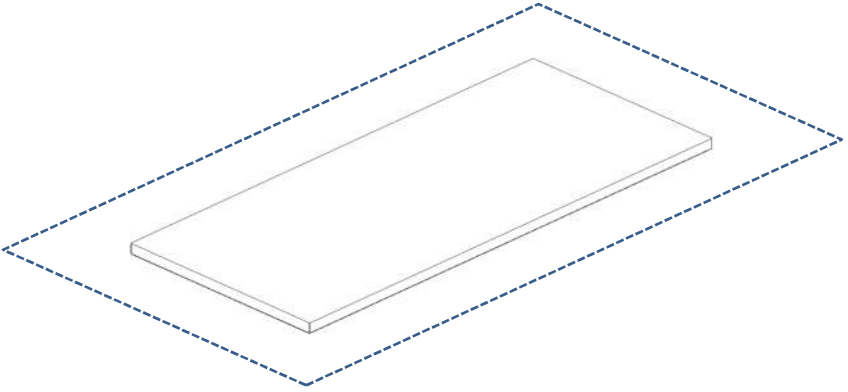


5/32" Hex key

Setup

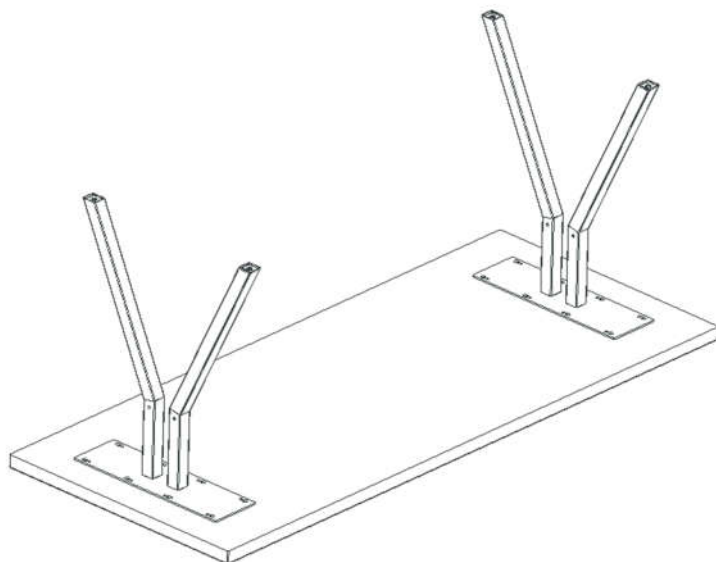
- Gather all required tools.
- Cover workspace in protective sheet to protect floors and table surface.
- Read through assembly instructions before starting.
- Unwrap all components before assembly.

1



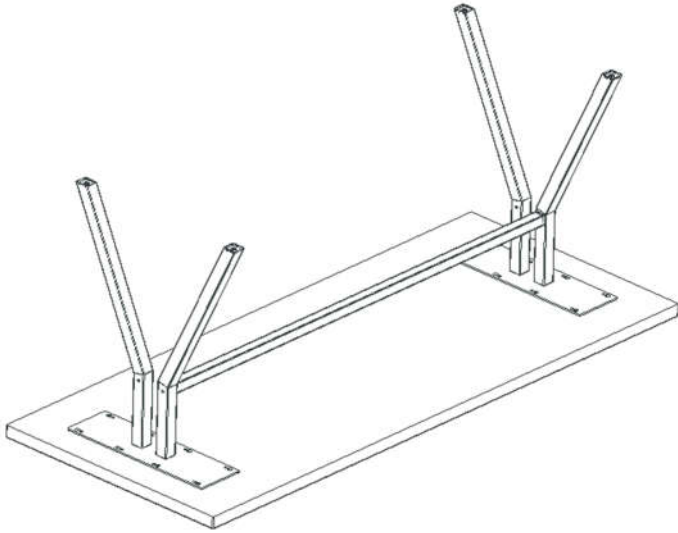
- Put surface on protective sheet
 - o Top side down on protective sheet.

2



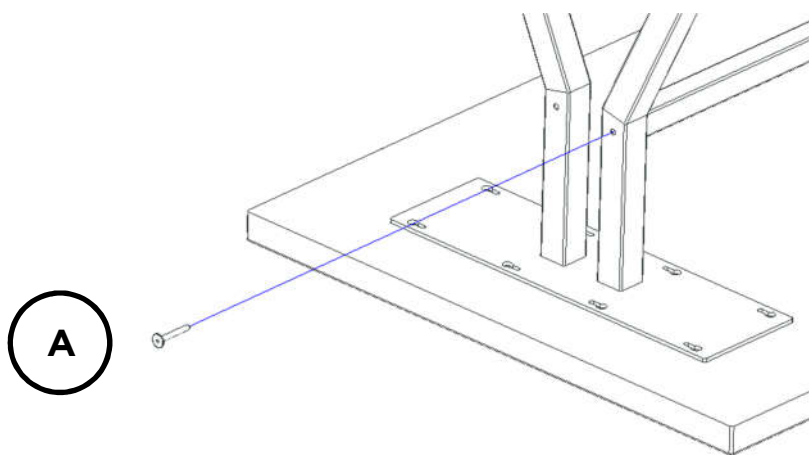
- Align legs according to print.

3



- Place stretcher tube in between legs.

4



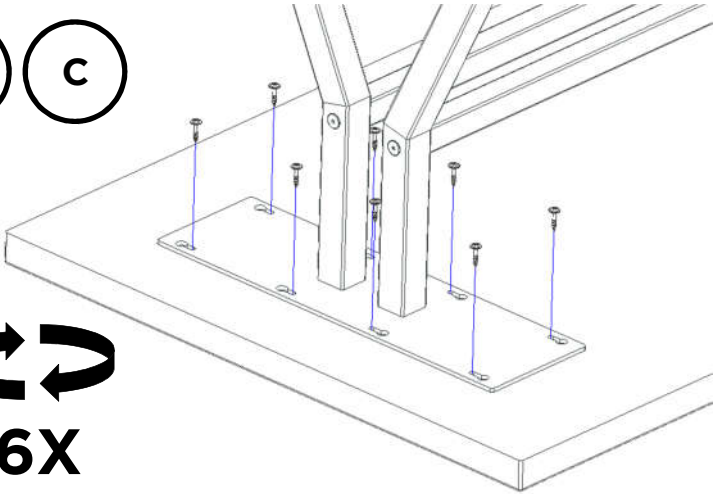
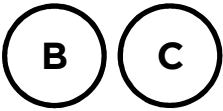
- Fasten stretcher to both legs with furniture screws

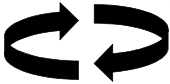


5

- Repeat steps 3 & 4 with other stretcher

6

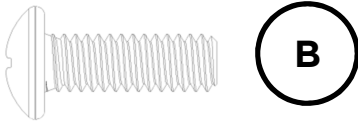



16X

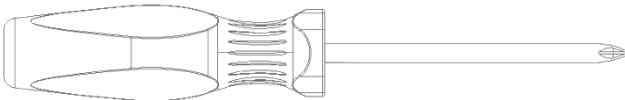
- Fasten legs to surface with provided hardware
 - Self tapping screws for wood



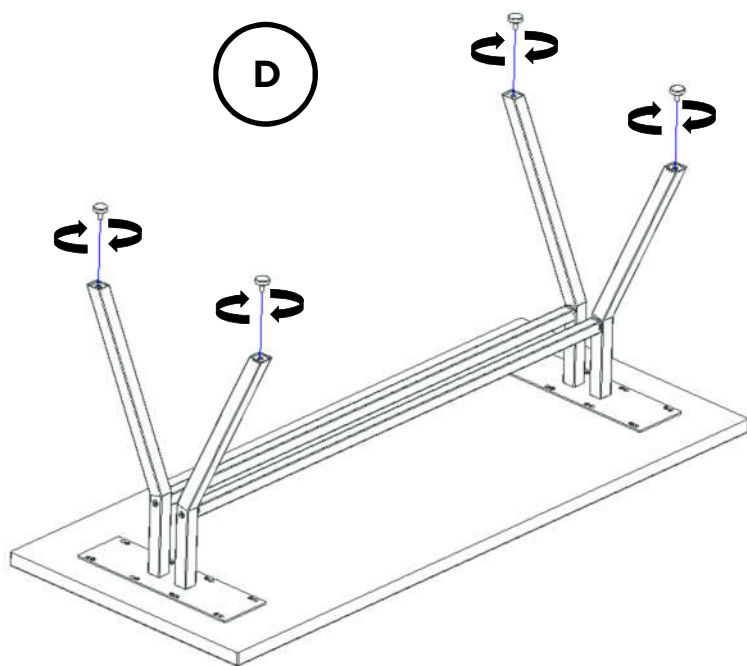
- Machine screws for quartz



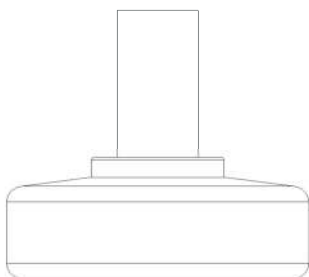
DO NOT OVERTIGHTEN BOLTS OR STRIPPING WILL OCCUR



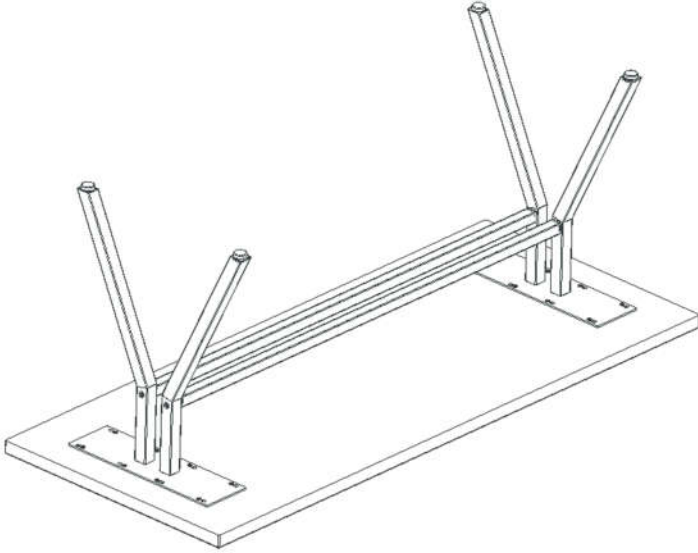
7



- Install leveling glides.



8



- FLIP TABLE
 - o Use 2 people to flip table
 - o DO NOT STAND ON EDGE OF SURFACE

9



8/11/25

12