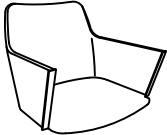






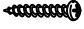




# Product Assembly Instructions

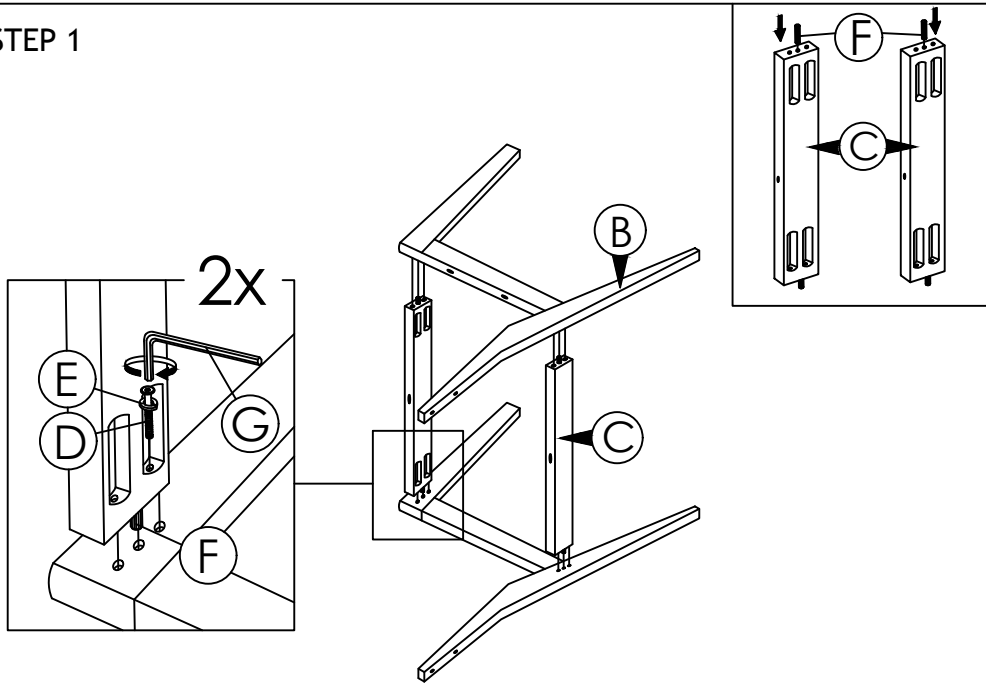
## PART LIST

 <p>A : CUSHION SEAT x1</p>	 <p>B : CHAIR LEG (L &amp; R) x2</p>	 <p>C : RAIL (F &amp; B) x2</p>
--	---	---

## HARDWARE LIST

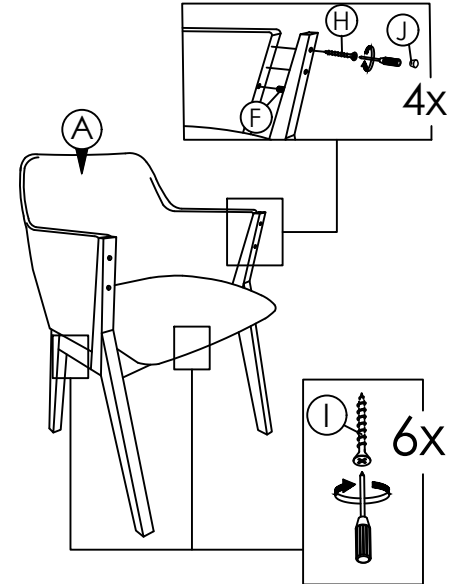
 <p>D : JCBC SCREW M6 x 45MM x8</p>	 <p>E : SPRING WASHER 1/4" x8</p>	 <p>F : WOOD DOWEL DIA 8 x 35MM x6</p>
 <p>G : ALLEN KEY M4 ( BALL SHAPE ) x1</p>	 <p>H : PAN HEAD WOOD SCREW M5 X 32MM x4</p>	 <p>I : PAN HEAD WOOD SCREW M4 x 38MM x6</p>
 <p>J : WOOD BUTTON 10.5MM x4</p>		

## STEP 1

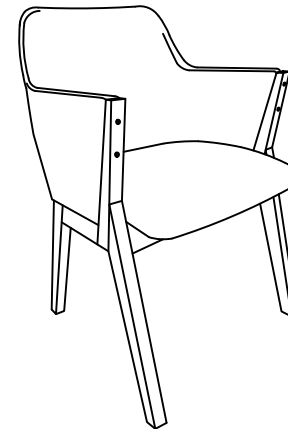


## STEP 2

Remark :  
Align front leg to center before fix screw



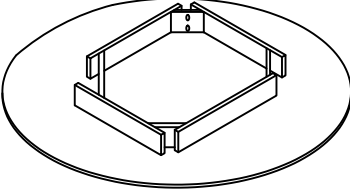
## STEP 3



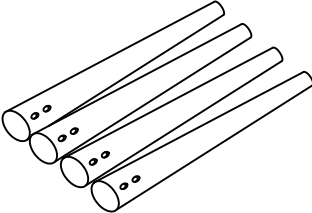
ASSEMBLY COMPLETED

# Product Assembly Instructions

## PART LIST



A: TABLE TOP x1



B: TABLE LEG x4

## HARDWARE LIST



C: JCBB SCREW M8 x 70mm x8



D: SPRING WASHER 5/16" x8

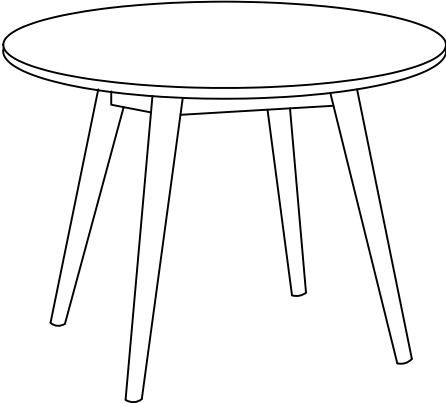
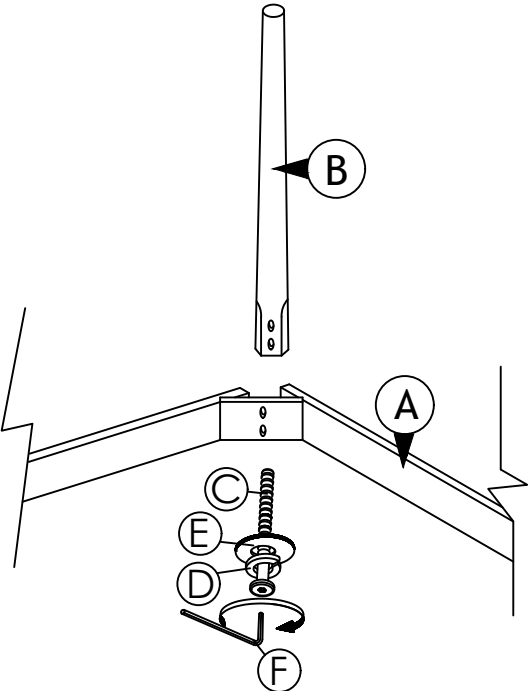


E: FLAT WASHER 5/16" x8



F: ALLEN KEY M5 x1

## STEP 1



ASSEMBLY COMPLETED