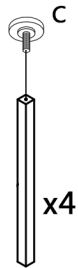


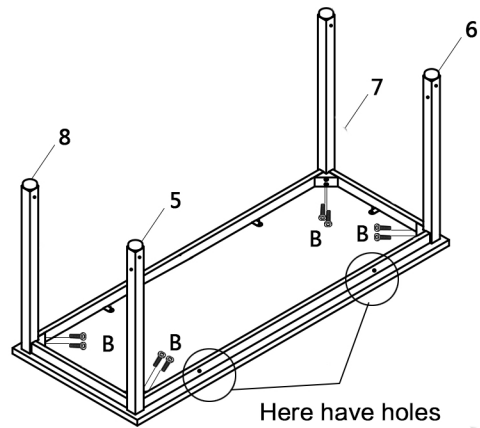
STEP1 Install No. C foot pads into the bottom of No.5、No.6、 No.7 and No.8 table legs



x4

C	X4
---	----

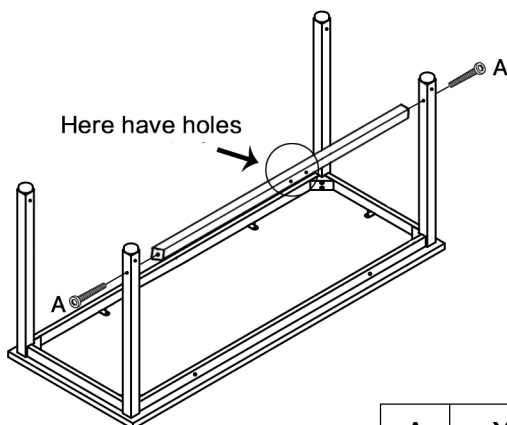
STEP2 Use No. B screws to install No. 5、 No. 6 table legs as the picture shows, and then install No. 7 and No. 8 screw table legs into the tabletop as the picture shows



Here have holes

B	X8
---	----

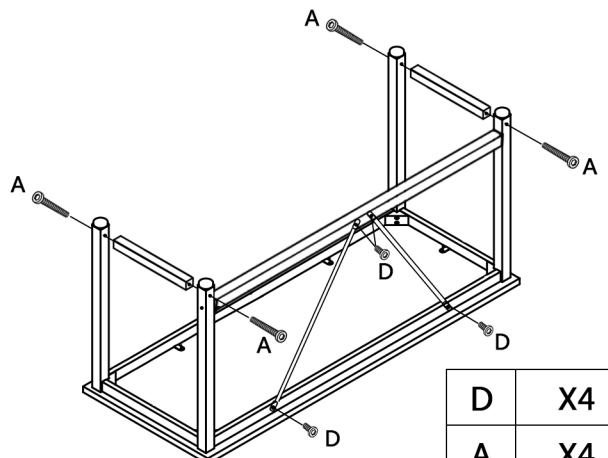
STEP3 Use No.A screw to install the No. 2 pole Which the side with holes is facing back into the middle of the No. 5 and No. 6 table legs



Here have holes

A	X2
---	----

STEP4 Use NO. A screw install the No. 3 pole into the middle of the table leg, and then use No.D screw to install the No. 4 round pole link table top and bottom pole



D	X4
A	X4