















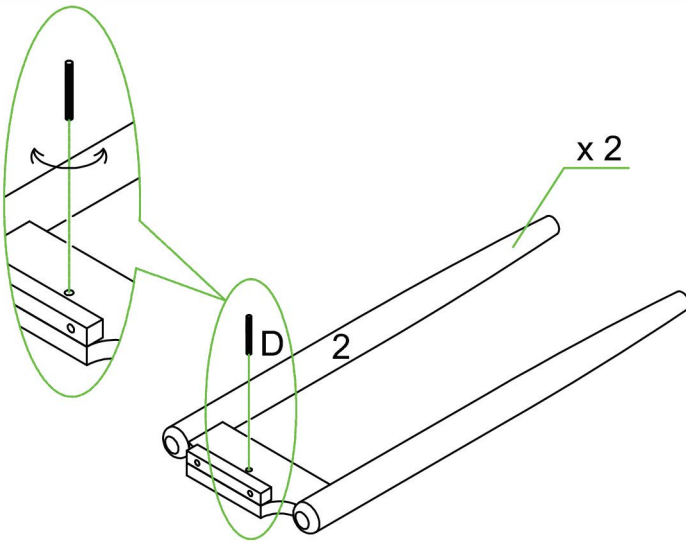
ASSEMBLY INSTRUCTIONS

PRODUCT NAME: CONSOLE TABLE

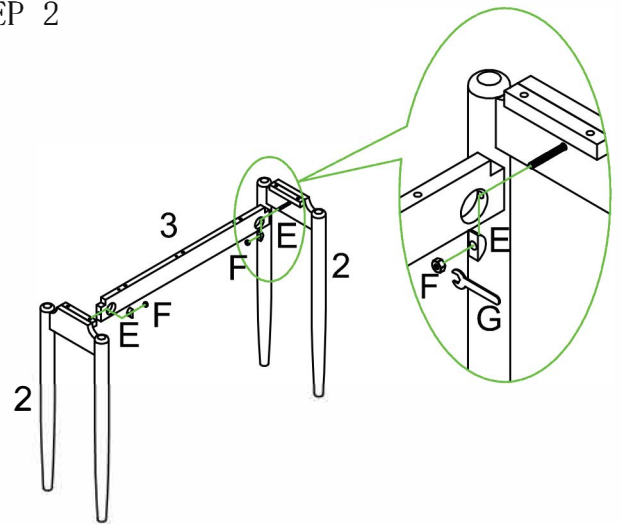
Serial number	Part Name	Parts icon	Specification	quantity
1	panel			1
2	side frame			2
3	mid-range			1
A	Hexagon screw		M6*35MM	4
B	flat gasket		M6*15MM	4
C	L-Wrench		M4	1

Serial number	Part Name	Parts icon	Specification	quantity
D	Full thread screw		M6*60MM	2
E	crescent spacer		M6	2
F	Hexagon Nut		M6*10MM	2
G	open end wrench		M10	1
H	dowel		8*35MM	3
I	fast tooth		8*40MM	3
J	Adjustable foot pads		M6*25MM	4
K	Anti-tilt hardware			1

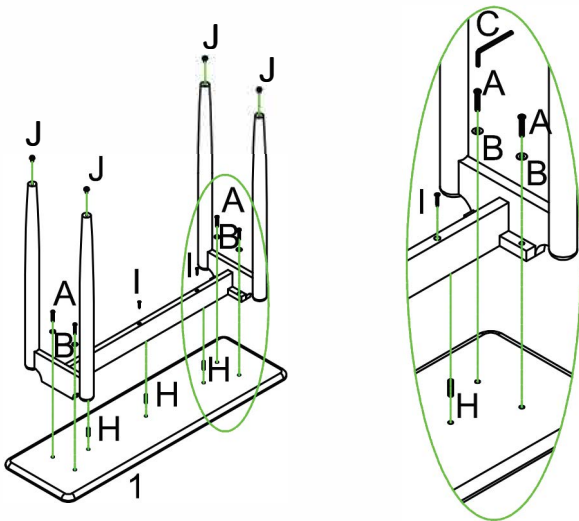
STEP 1



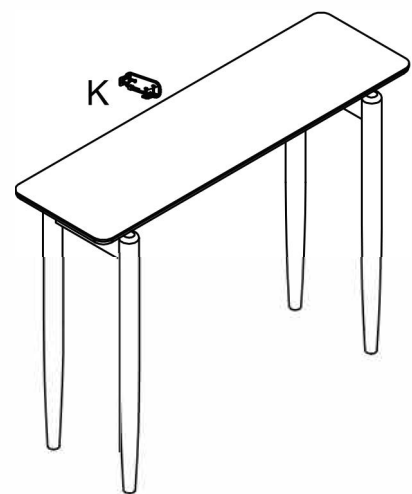
STEP 2



STEP 3



STEP 4



Note: After installation, place the table against the wall, and then install the anti-fall hardware as shown in the figure to prevent children from falling when climbing

QUALIFIED	This product has undergone wood inspection and paint inspection in full compliance with the national quality inspection standards. After being qualified, it will be delivered to the factory, and the packaging will be confirmed for sale. To ensure our commitment, we welcome customers to provide valuable comments to our after-sales service.		product name	Solid wood furniture	Executive standard:	quality inspector	
			Production address				
			grade	First class		2022.03.15	
							Page:1-1