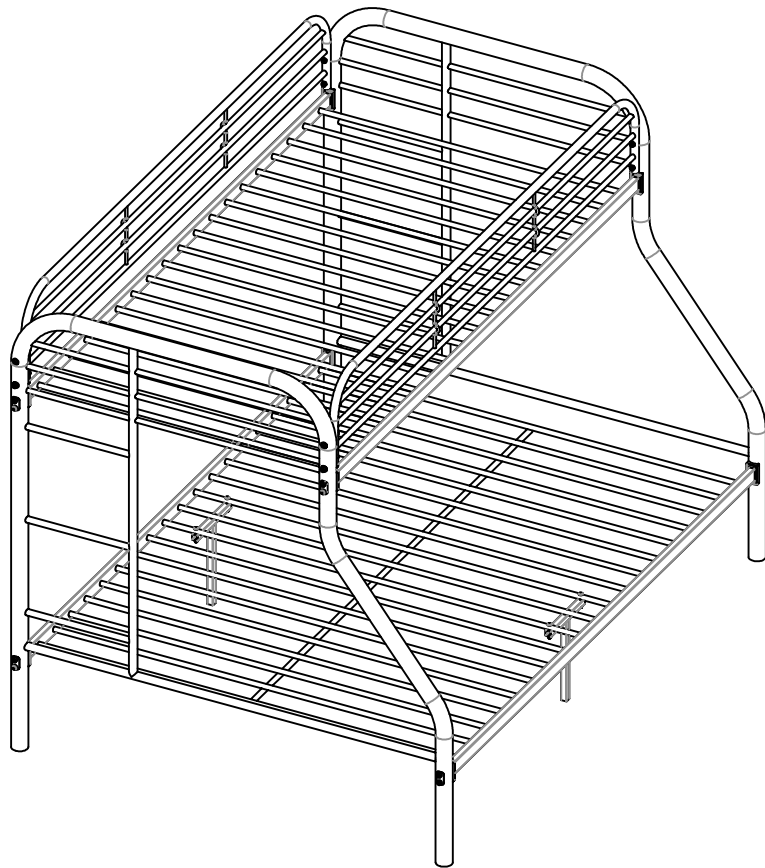


# ASSEMBLY INSTURCTIONS

---

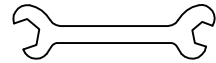


## TOOLS REQUIRED



Allen Wrench

(Included)



Open spanner

(Included)



2 - Persons  
Recommended

## ASSEMBLY RATING



EASY ————— DIFFICULT

The Assembly Rating is a 5-point system showing the level of effort needed to assemble a specific product.



## **CHECK BEFORE STARTING**

### **Are you missing anything?**

Double-check all parts, hardware and accessories listed on Page 6 are accounted for.

### **Check out our Quick Tips!**

We recommend reviewing the pre-assembly handouts. Even experts need a refresher now and then!

### **Should we send any replacements?**

Are there any irregularities or flaws in the parts? We can send replacements!

### **Prep Time!**

Please review the assembly instructions and all diagrams prior to assembling. Arrange parts as recommended on Page 7 and group identical hardware together to make assembling easier.

# PRE ASSEMBLY INTRODUCTION

We understand building ready-to-assemble furniture can be a challenging experience for some. To help avoid confusion, we have provided some helpful tips that may speed up the process.



## Teamwork

ALWAYS have at least two people to help with transporting and assembling the product to avoid potential injury and/or damage.



## Suitable Location

Assembling near the area of the intended location is highly recommended.



## Sufficient Space

Make sure you have enough space to move around during the assembly.



## Avoid Scratches

Use cardboard, blankets or a carpeted area while assembling furniture to prevent scratches.



## Flat Surface

Make sure the furniture rests on a flat and level surface with each leg evenly touching the floor.

# ASSEMBLY AND CARE ADVICE



**FAILURE TO FOLLOW THE GUIDELINES BELOW MAY RESULT IN INJURY AND/OR PROPERTY DAMAGE.**



Position each part correctly and insert screws or bolts into their respective holes.



Turn clockwise to tighten and only tighten when step is completed or when instructed to do so.



Use the appropriate hand tools or power tools for assembly. Select steps, such as tightening screws and/or bolts, may require hand tools to avoid causing damage during assembly.



Save the instructions and store any supplied tools for later maintenance.



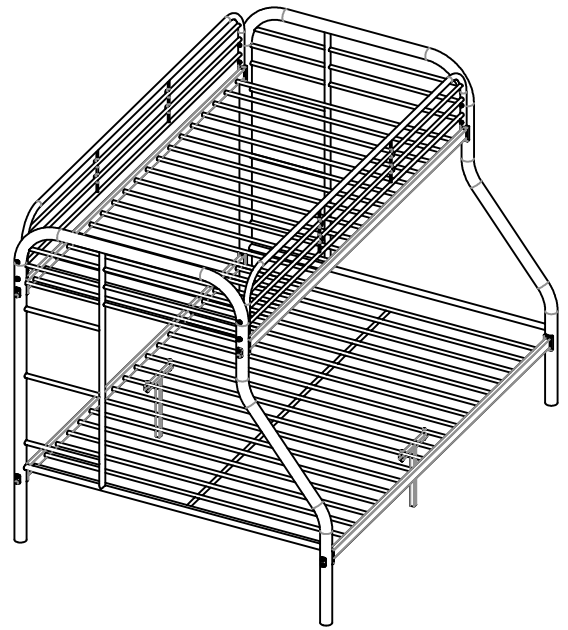
After two weeks, check and tighten any loose hardware and repeat again every six months thereafter.

**IT IS THE USER'S RESPONSIBILITY TO MAINTAIN THE FURNITURE. THE HARDWARE MAY LOOSEN OVER TIME AND MAY CAUSE THE FURNITURE TO BE WOBBLY AND UNABLE TO SUPPORT ITS INTENDED WEIGHT CAPACITY. THIS MAY LEAD TO COLLAPSE AND MAY CAUSE SERIOUS INJURY.**

# BUNK BED

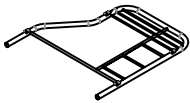


- Please keep instructions for future reference.
- Check the quantity and irregularity of parts and hardware before you start.



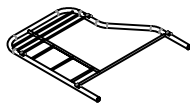
## PARTS

#1 1pc



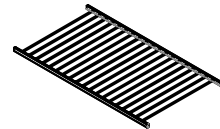
Left side frame

#2 1pc



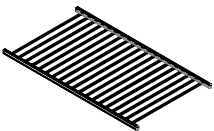
Right side frame

#3 1pc



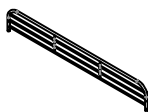
Up Bed Frame

#4 1pc



Down Bed Frame

#5 2pcs



Up Guardrail

#6 2pcs

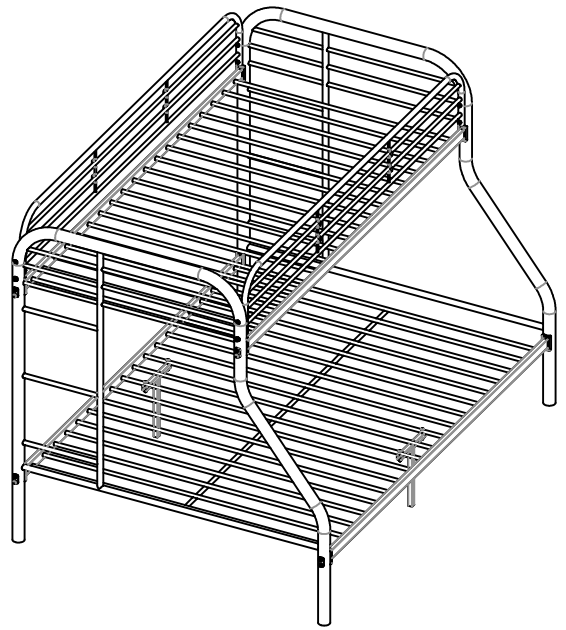


Support Leg

# BUNK BED



- Please keep instructions for future reference.
- Check the quantity and irregularity of parts and hardware before you start.



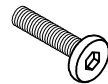
## HARDWARE

#A 8pcs



Washer

#B 8pcs



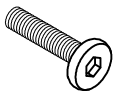
Bolt 5/16-18UNC X 3 $\frac{3}{8}$ "

#C 8pcs



Flat Washer

#D 16pcs



Bolt 5/16-18UNC X 2 $\frac{3}{4}$ "

#E 8pcs



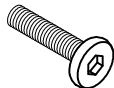
Hex Nut 5/16-18UNC

#F 4pcs



Hex Nut 1/4-20UNC

#G 4pcs



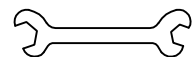
Bolt 1/4-20UNC X 1 $\frac{3}{4}$ "

#H 1pc



Allen Wrench 5/16-18

#I 1pc

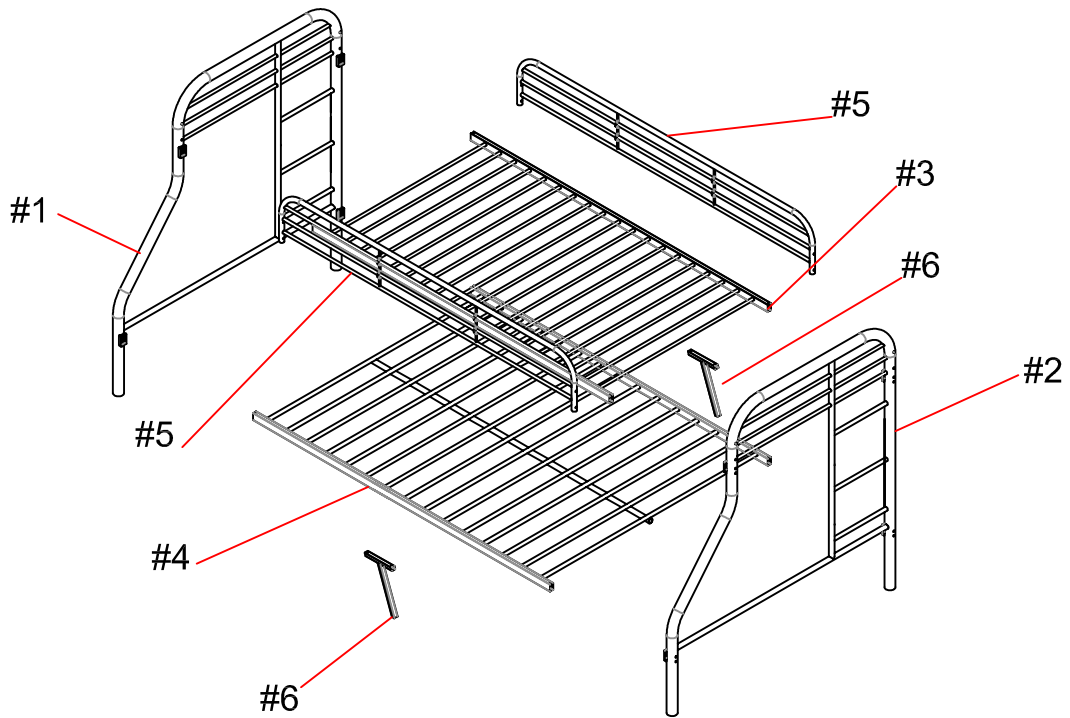


Open spanner

# ASSEMBLY INSTRUCTIONS

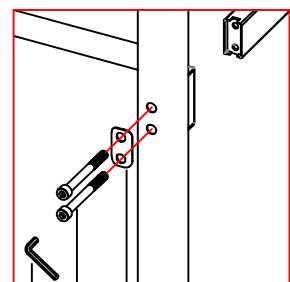
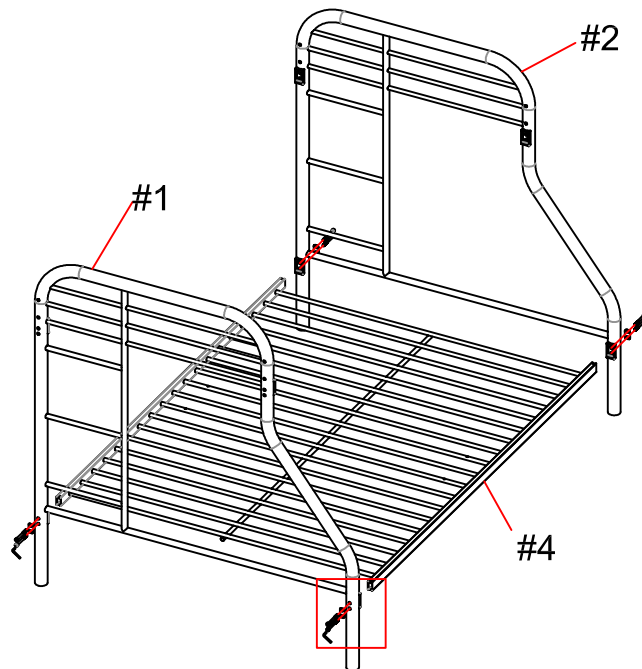
## Exploded View

1



2

- Part #1 x1pc
- Part #2 x1pc
- Part #4 x1pc
- Hardware #A x4pcs
- Hardware #D x8pcs
- Hardware #H x1pc



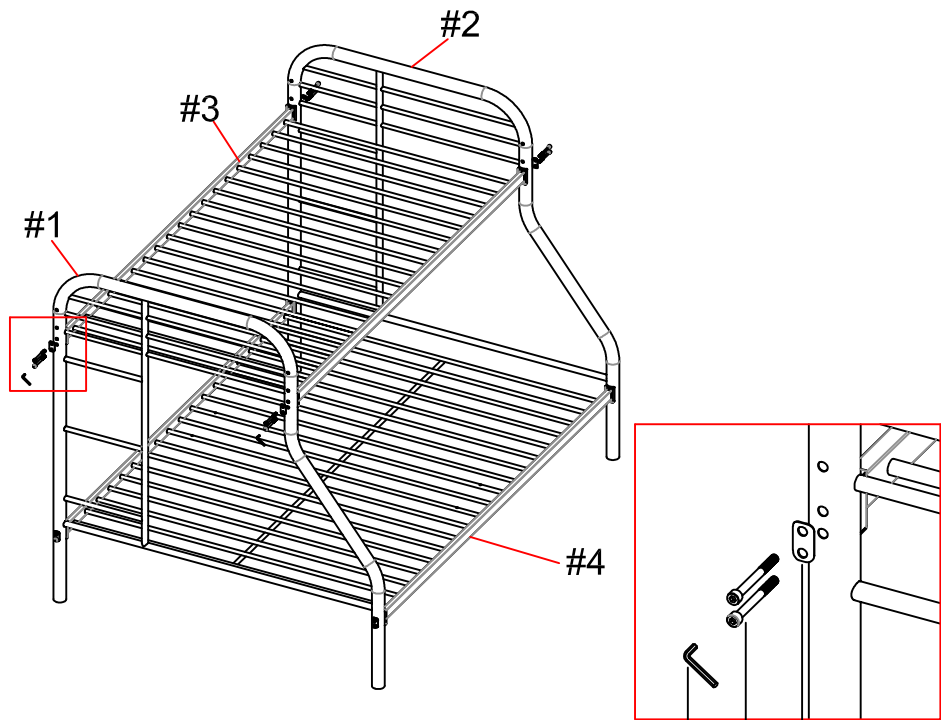
Align left and right side frames(#1,2) to the holes of the bed frame(#4).  
Align washer(#A) to the outer holes of the side frames(#1,2), then secure  
by using bolts(#D). Do not fully tighten all bolts(#D).

#H #D #A

# ASSEMBLY INSTRUCTIONS

## 3

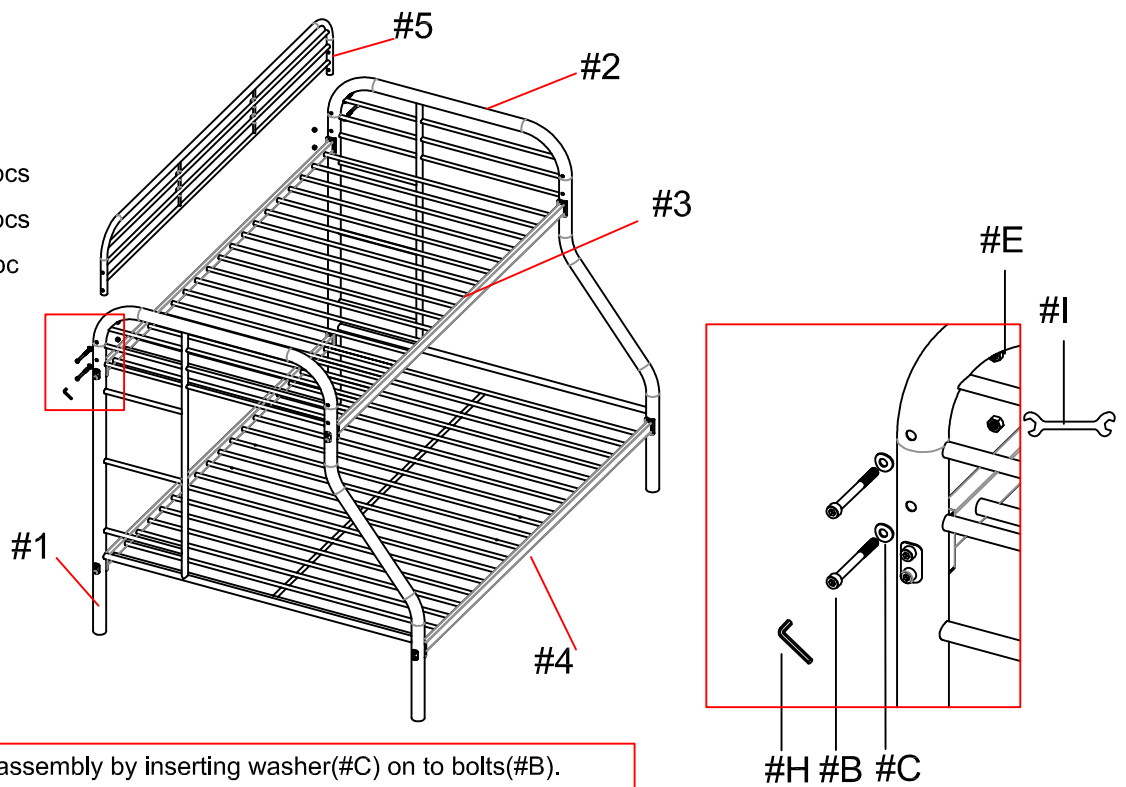
- Part #3 x1pc
- Hardware #A x4pcs
- Hardware #D x8pcs
- Hardware #H x1pc



Align left and right side frames(#1,2) to the holes of the bedframe(#3). Align washer(#A) to the outer holes of the side frames(#1,2), then secure by using bolts(#D). Do not fully tighten all bolts(#D).

## 4

- Part #5 x1pc
- Hardware #B x4pcs
- Hardware #E x4pcs
- Hardware #H x1pc

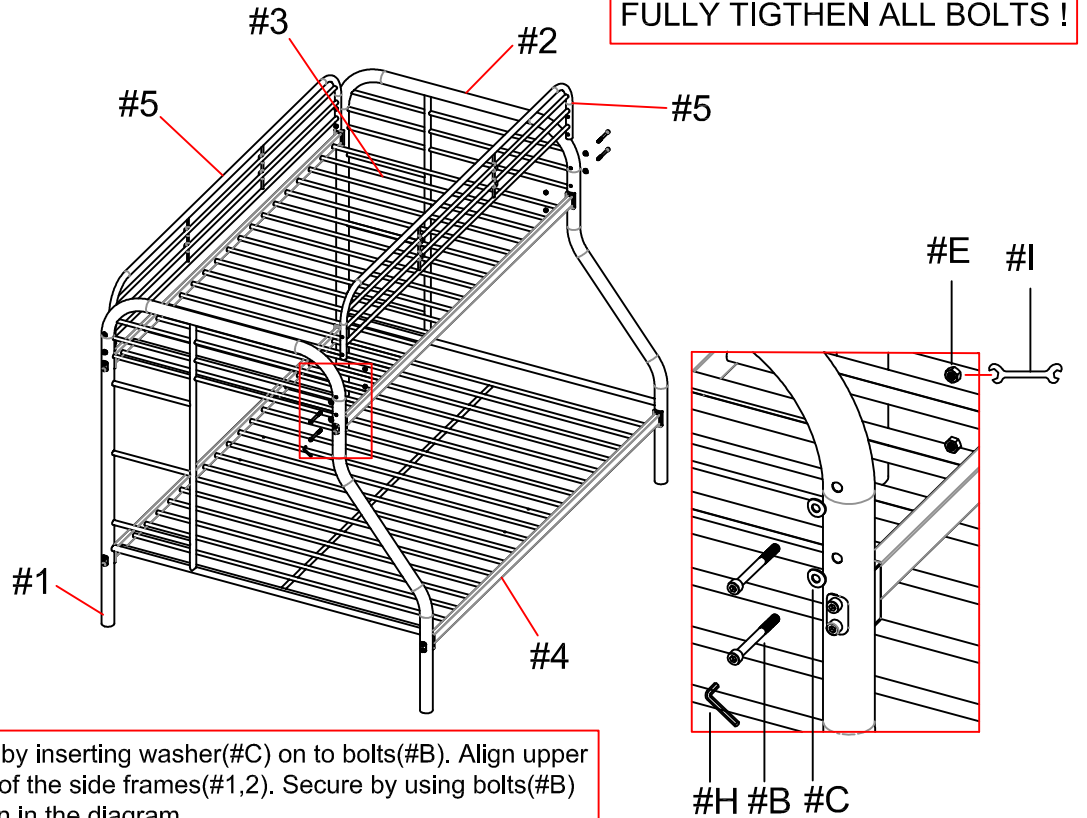


Prepare 4 bolts assembly by inserting washer(#C) on to bolts(#B). Align upper guardrail(#5) to the holes of the side frames(#1,2). Secure by using bolts(#B) on to hex nut(#E) as shown in the diagram.

# ASSEMBLY INSTRUCTIONS

## 5

- Part #5 x1pc
- Hardware #B x4pcs
- Hardware #E x4pcs
- Hardware #H x1pc

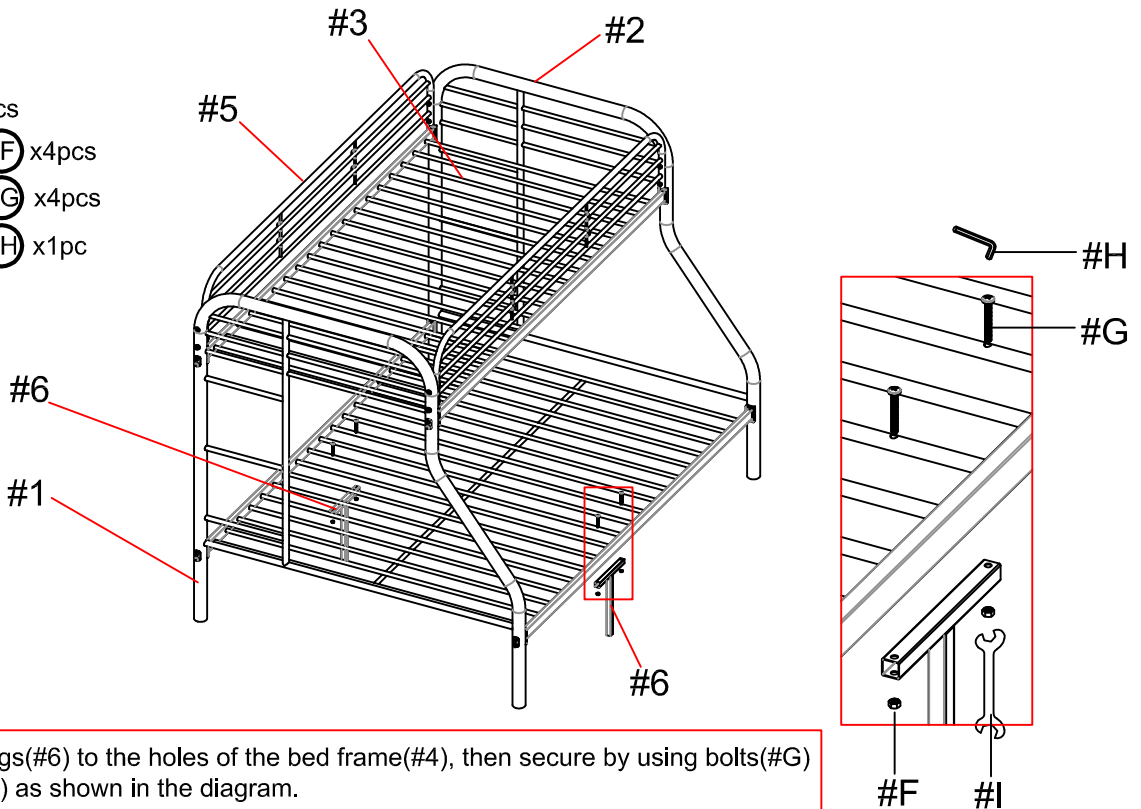


FULLY TIGHTEN ALL BOLTS !

Prepare 4 bolts assembly by inserting washer(#C) on to bolts(#B). Align upper guardrail(#5) to the holes of the side frames(#1,2). Secure by using bolts(#B) onto hex nut(#E) as shown in the diagram.

## 6

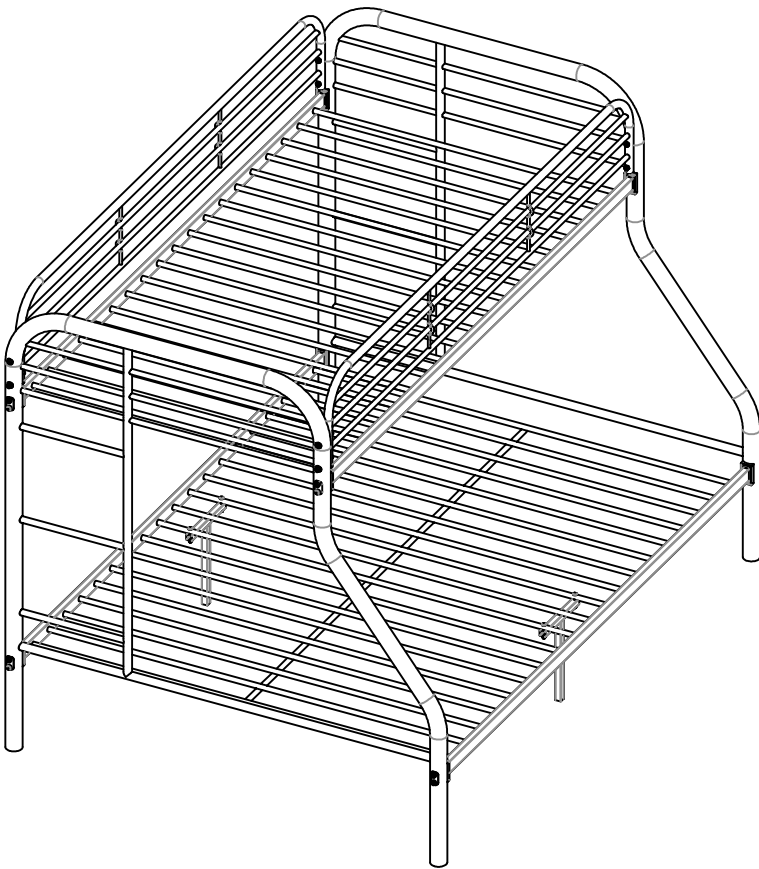
- Part #6 x2pcs
- Hardware #F x4pcs
- Hardware #G x4pcs
- Hardware #H x1pc



Aligns support legs(#6) to the holes of the bed frame(#4), then secure by using bolts(#G) onto hex nut(#F) as shown in the diagram.

# ASSEMBLY INSTRUCTIONS

7



## ASSEMBLY COMPLETED



Please ensure the furniture rests on an even and flat surface. If the product wobbles or feels loose, double-check all bolts and/or screws are properly tightened and secured.



### **Keep this handy!**

Please retain this instruction manual and any order-related information for future reference.

## Safety Warnings

1. Follow the information on the warnings appearing on the upper bunk end structure and on the carton . Do not remove warning label from bed.
2. Always use the recommended size mattress or mattress support, or both, to help prevent the likelihood of entrapment or falls.
3. Surface of mattress must be at least 5 in(127mm). below the upper edge of guardrails .
4. Do not allow children under 6 years of age to use the upper bunk.
5. Periodically check and ensure that the guardrail, ladder ,and other components are in their proper position ,free from damage ,and that all connectors are tight .
6. Do not allow horseplay on or under the bed and prohibit jumping on the bed.
7. Always use the ladder for entering and leaving the upper bunk.
8. Do not use substitute parts ,Contact manufacturer or dealer for replacement parts.
9. Use of a night light may provide added safety precaution for a child using the upper bunk.
10. Always use guardrails on both long sides of the upper bunk.  
If the bunk bed will be placed next to the wall, the guardrail that runs the full length of the bed should be placed against the wall to prevent entrapment between the bed and the wall.
11. The use of water or sleep flotation mattress is prohibited .
12. Keep these instructions for future reference.
13. Use only mattress which is (74"-74.5")X(37 $\frac{1}{2}$ "-38 $\frac{1}{2}$ ")X6" on upper bunk, (74"-74.5")X(54"-54.5" ) X6" on under bunk
14. Prohibit more than one person on upper bunk.
15. Maximum total weight is not to exceed 400 lbs.on the upper bunk.

### STRANGULATION HAZARD:

Never attach or hang items to any part of the bunk bed that are not designed for use with the bed, for example, but not limited to, hooks, belts, and jumpropes.