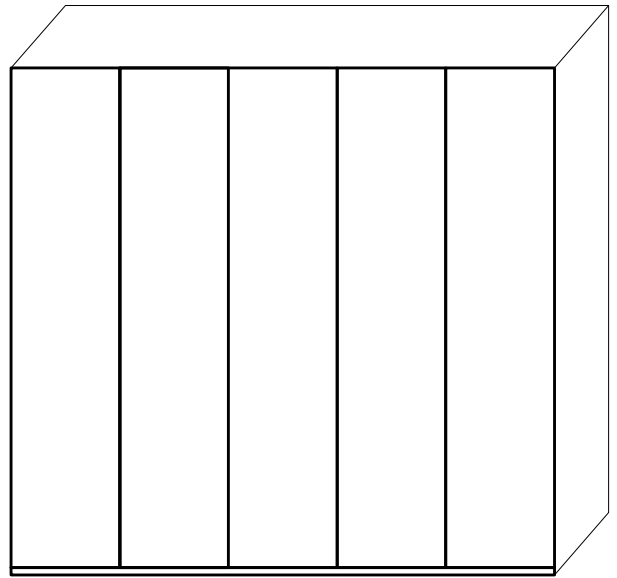
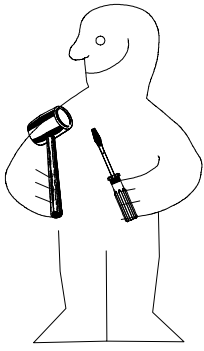
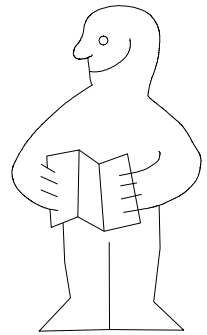
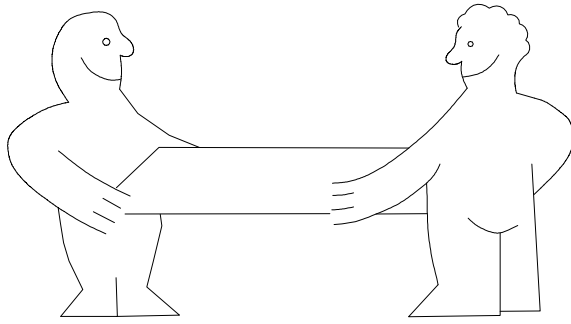
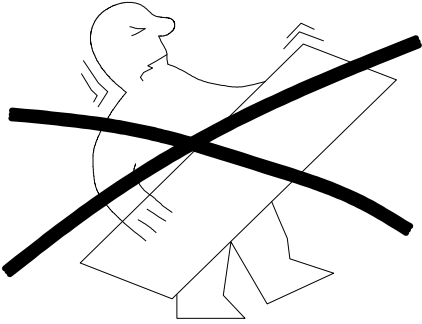


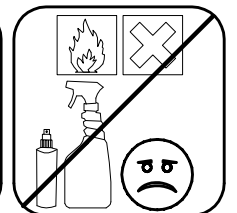
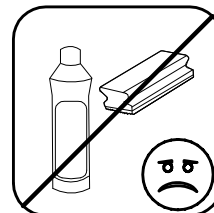
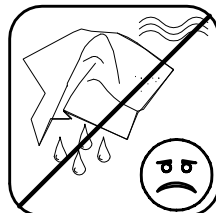
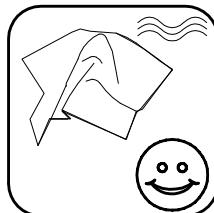
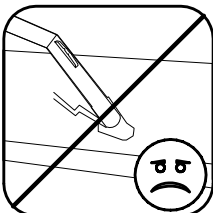
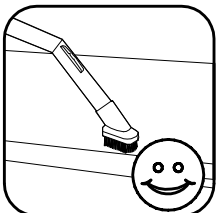
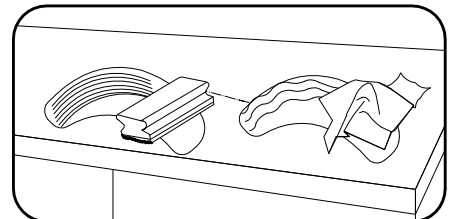
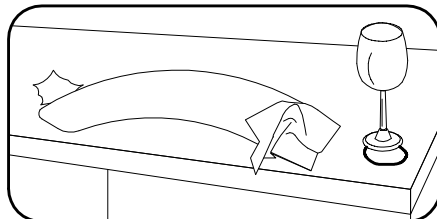
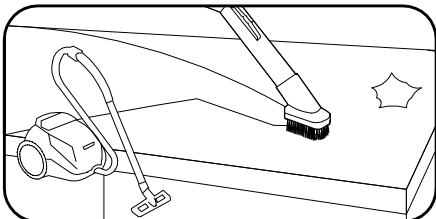
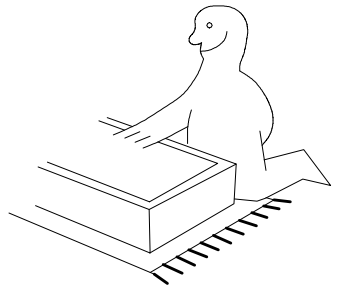
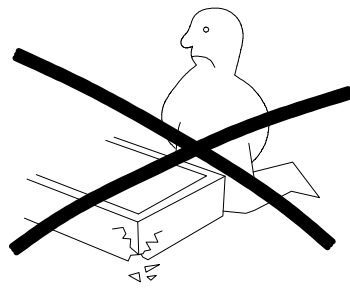
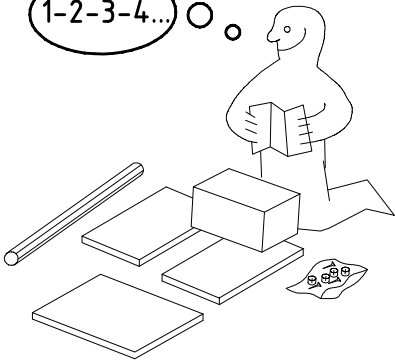
980345



NSP 225



1-2-3-4... ○ ○


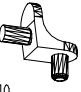
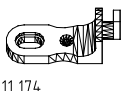


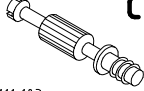
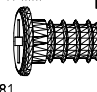
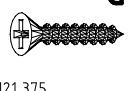
980345

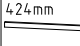


20.12.04 / 29.11.19


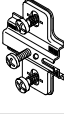
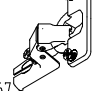
11 19

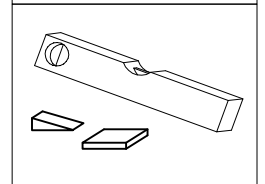
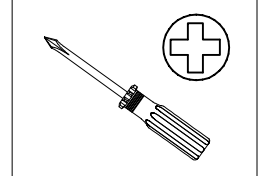
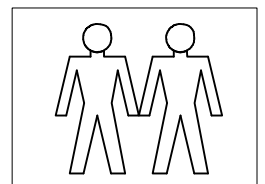
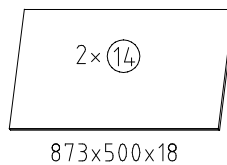
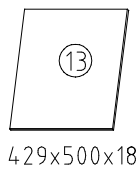
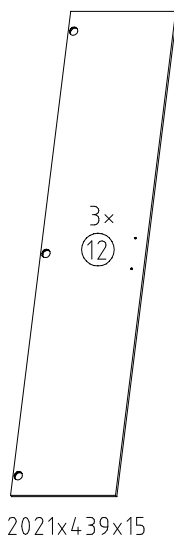
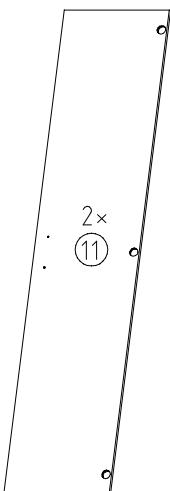
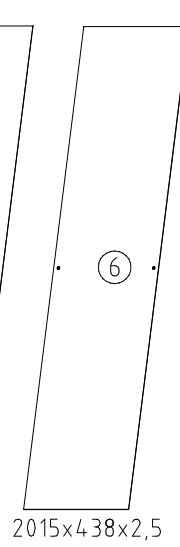
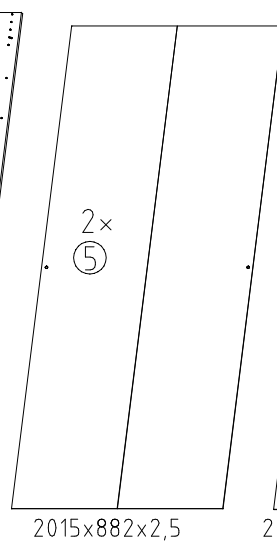
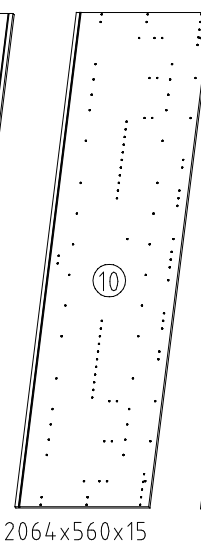
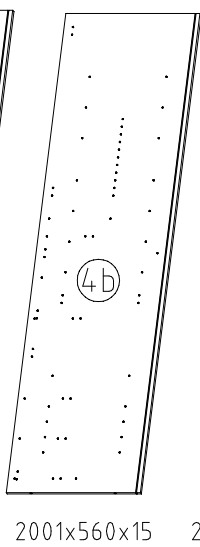
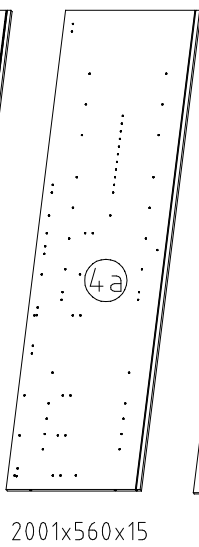
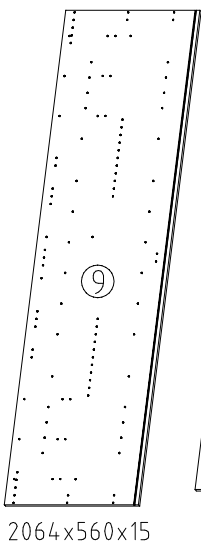
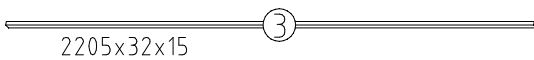
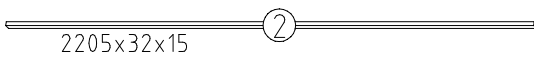
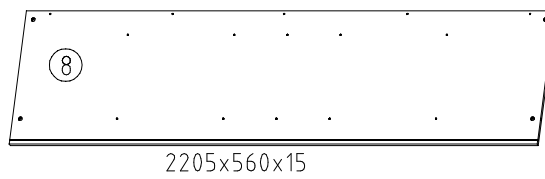
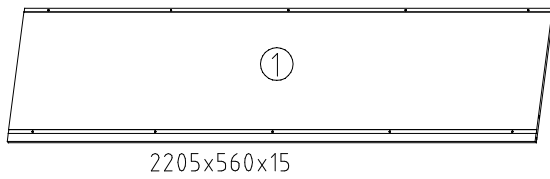
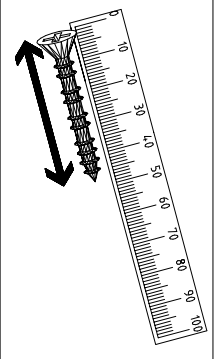
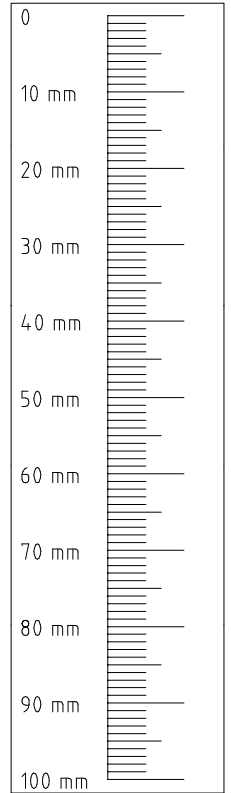
1/9

 111 102	A 16x
 111 610	L7 12x
 111 174	J1 6x

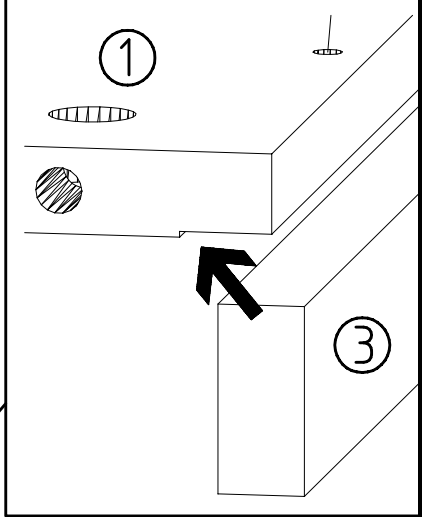
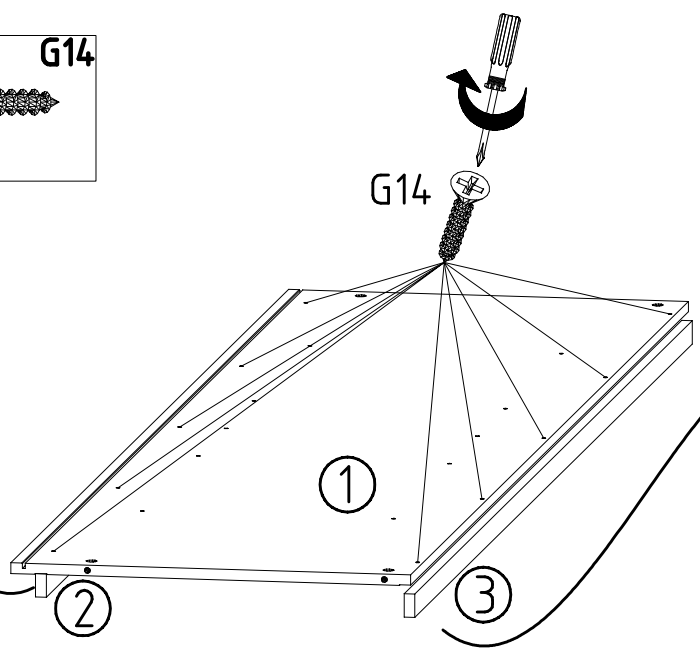
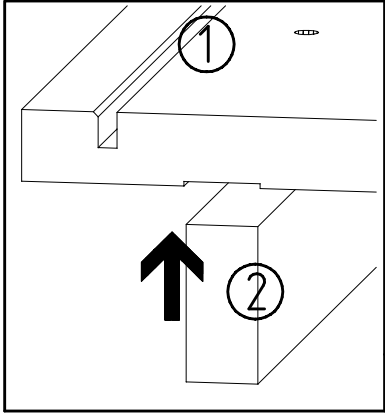
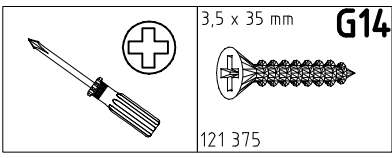
 111 103	C 16x
M6 x 11 mm  121 181	T6 6x
3,5 x 35 mm  121 375	G14 12x

424mm  112 403	K21 1x
870mm  112 402	K20 2x
3,5 x 15 mm  121 370	G1 12x

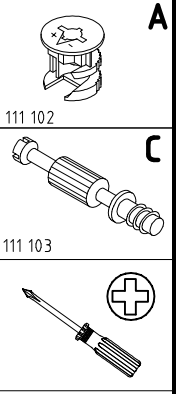
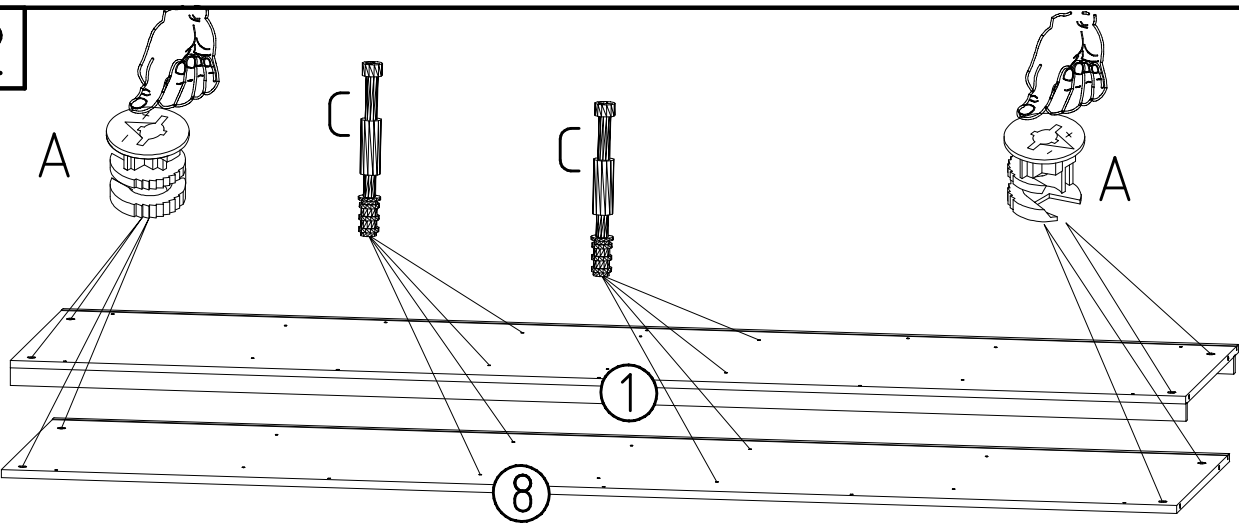
 117 001	K1 6x
 112 268	M 15x
 112 267	N 15x



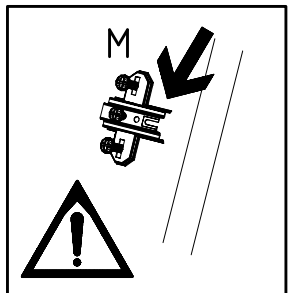
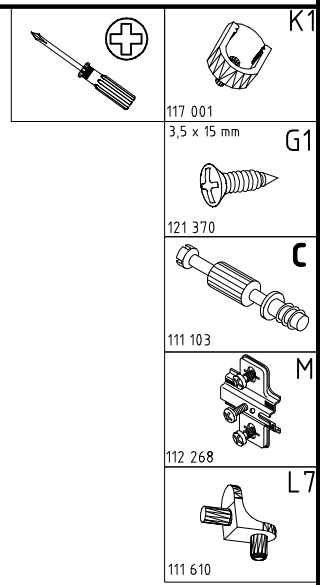
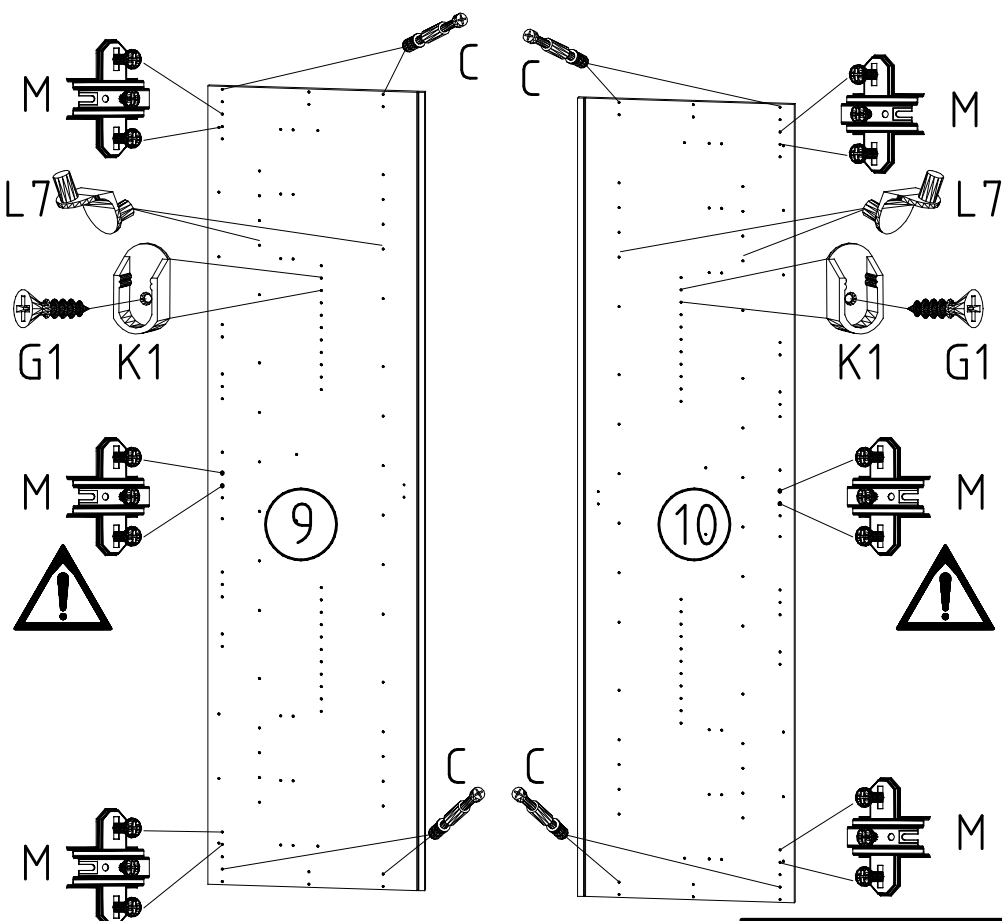
1



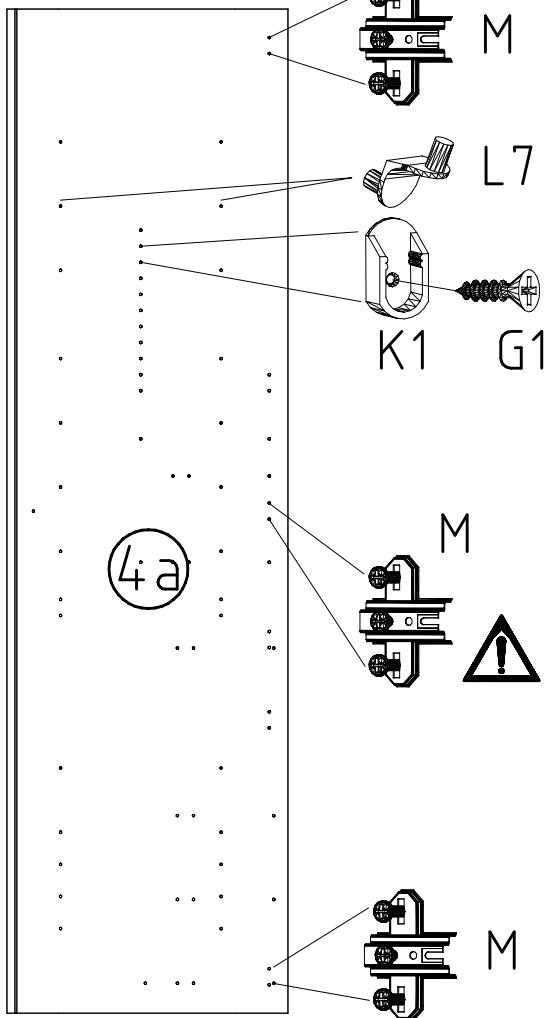
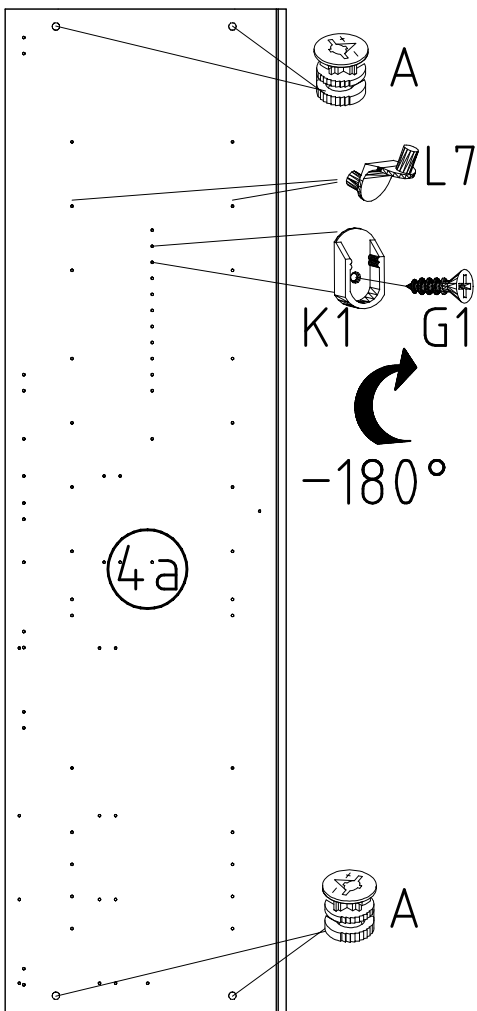
2

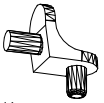
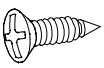

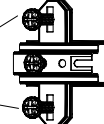


3

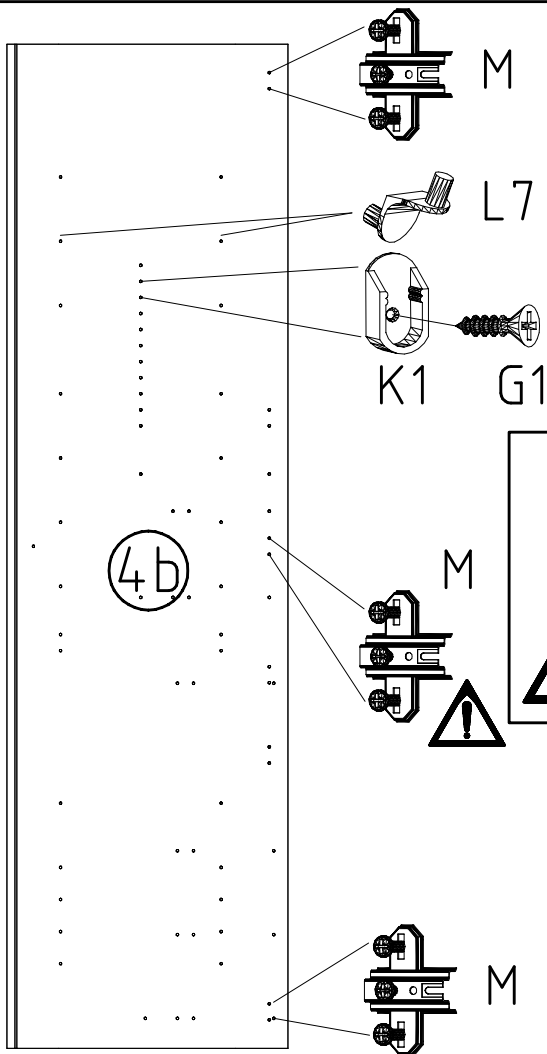
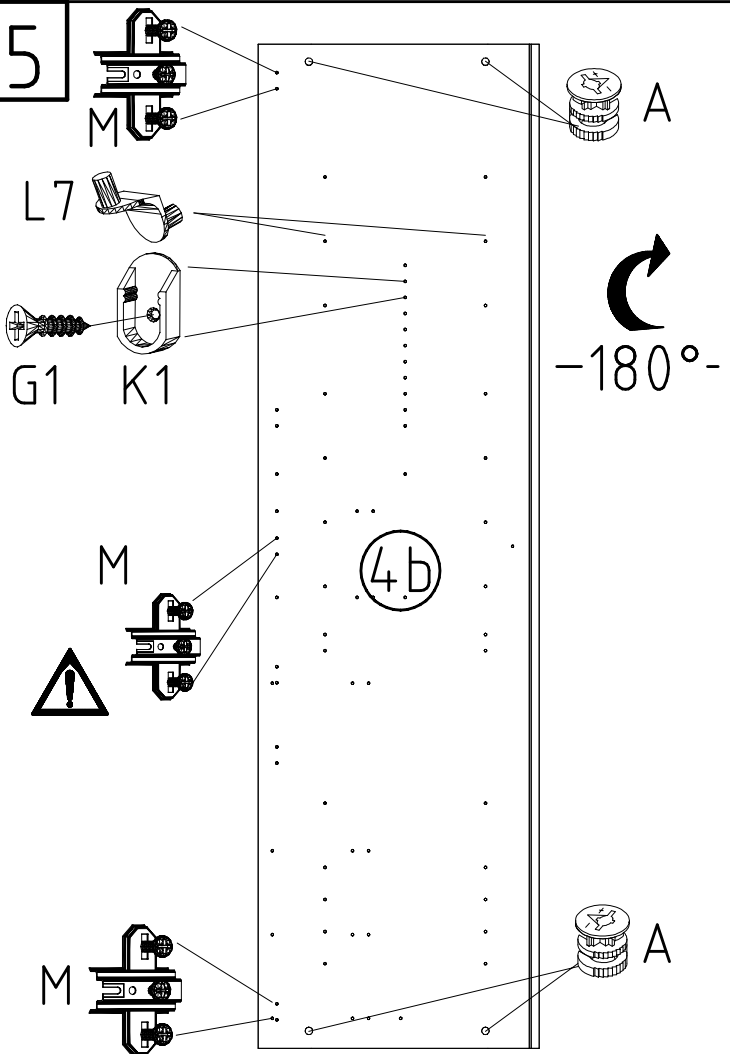


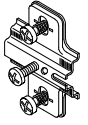

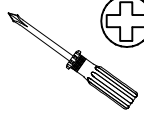

4

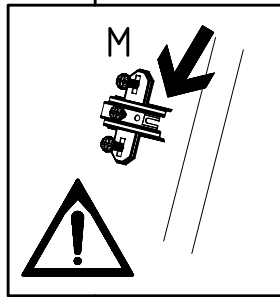


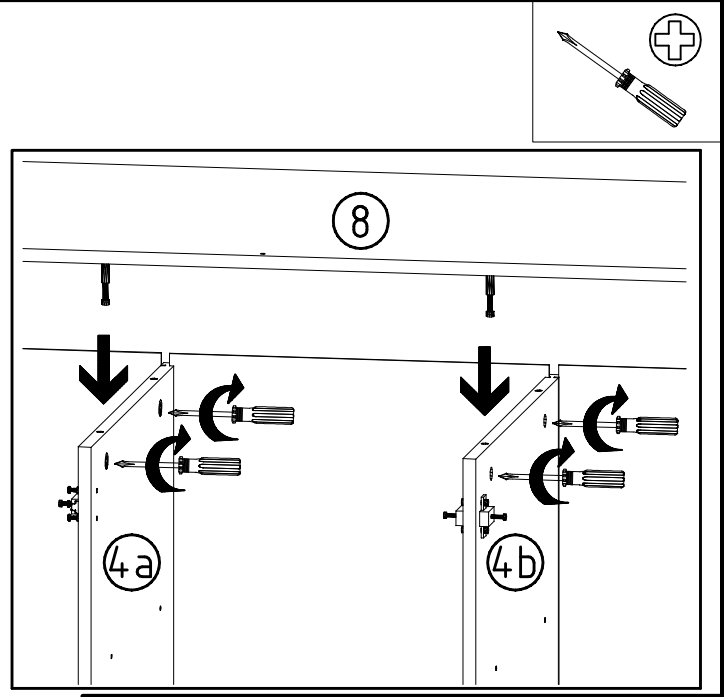
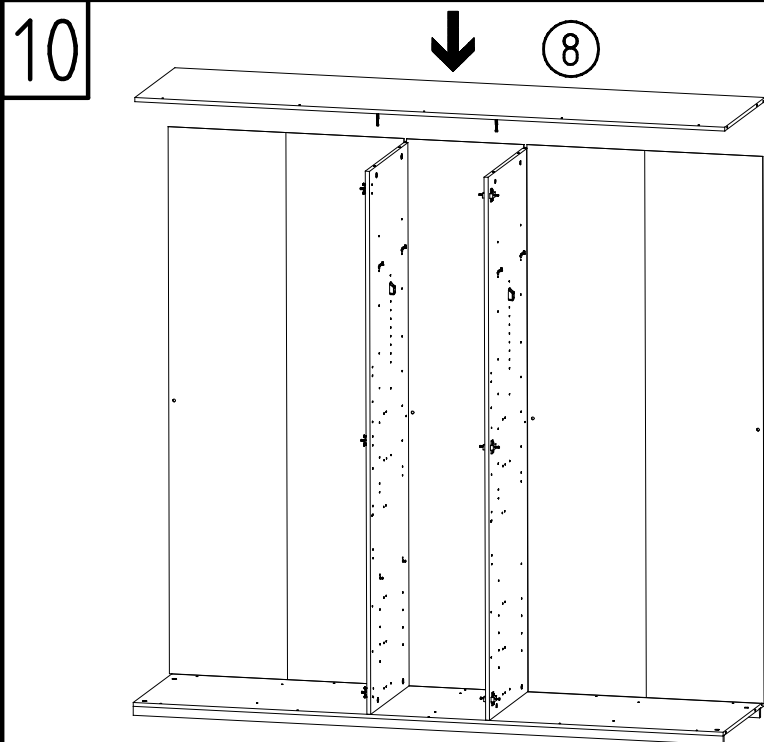
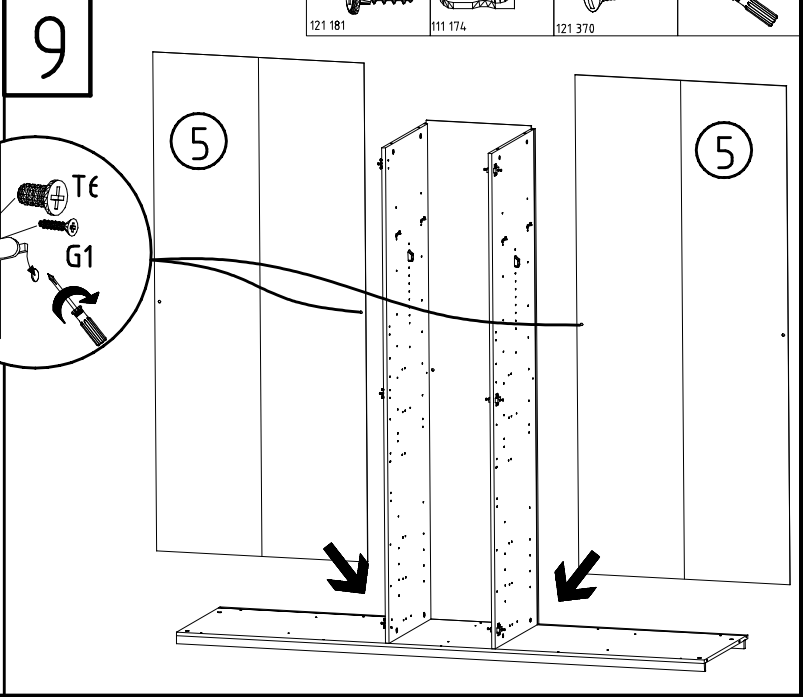
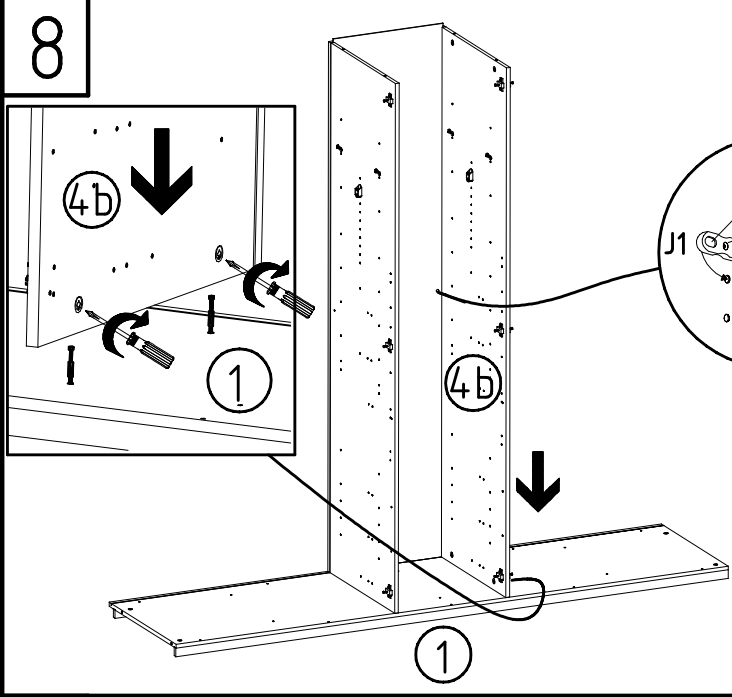
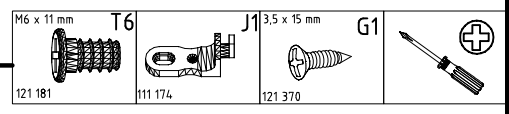
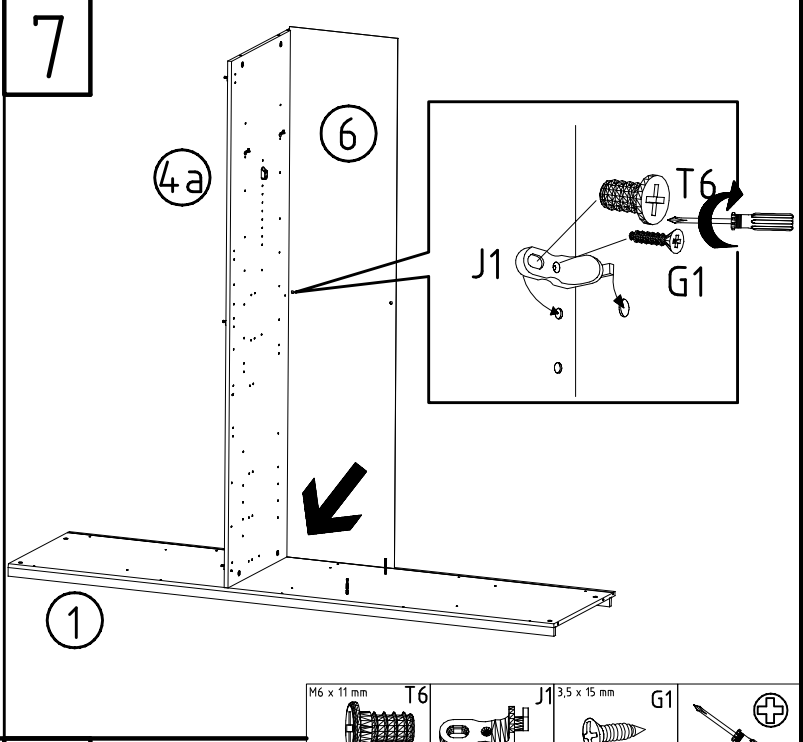
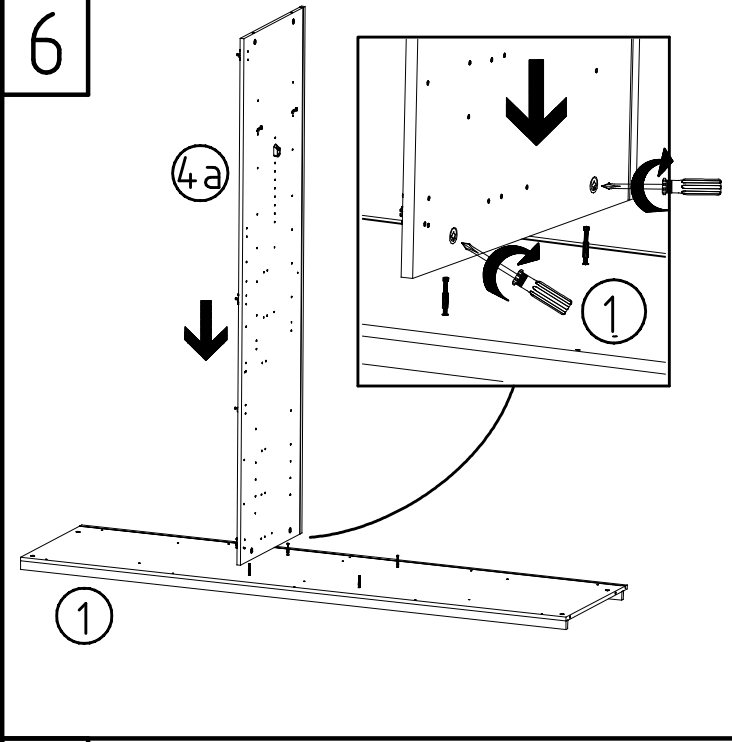
-  L7
- 111 610
3,5 x 15 mm  G1
- 121 370  K1
- 117 001  M

5

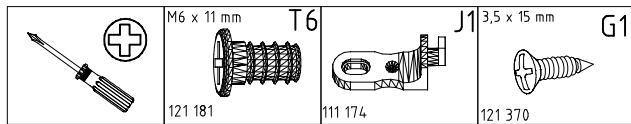
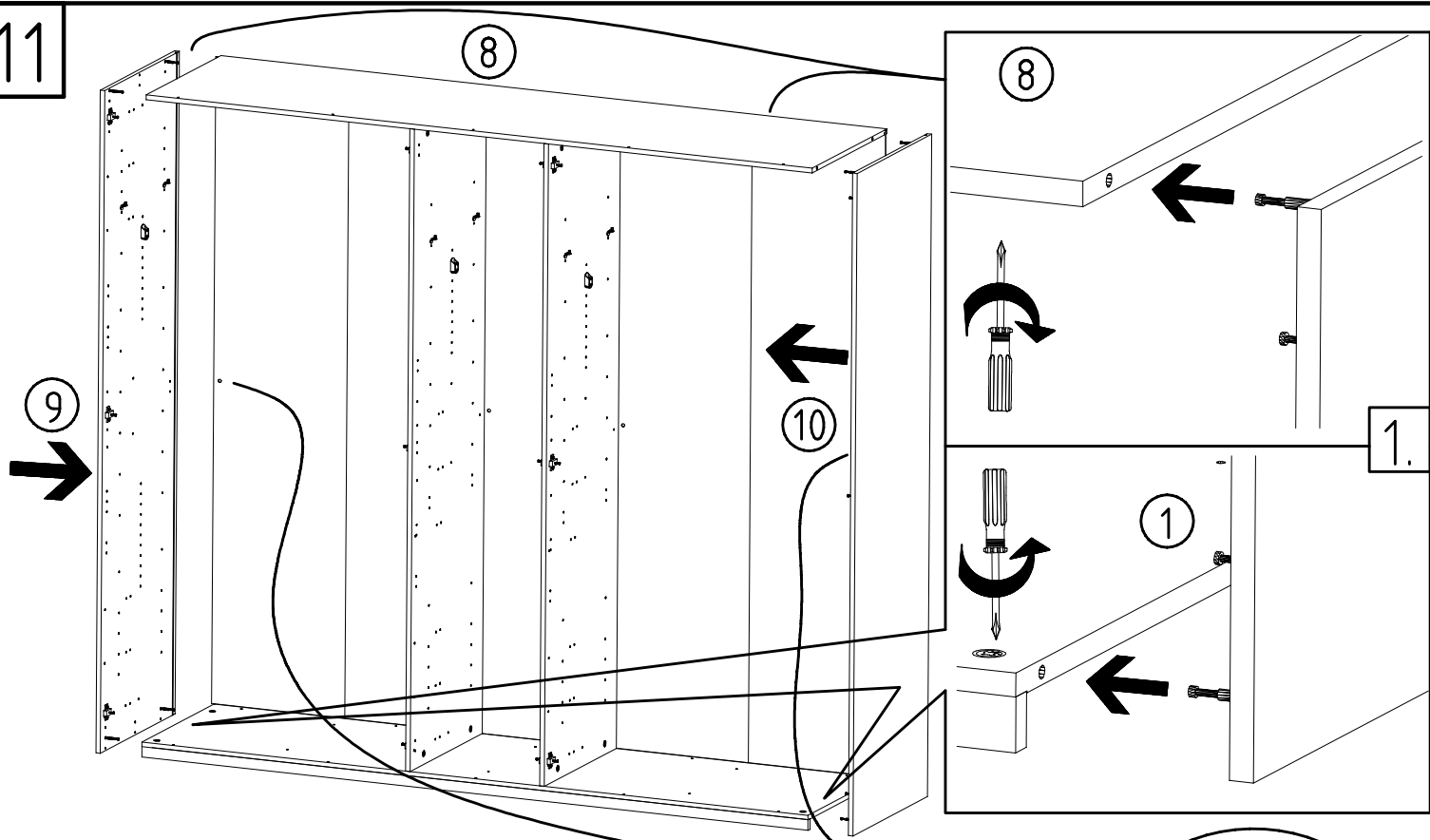


-  M
- 112 268  A
- 111 102  

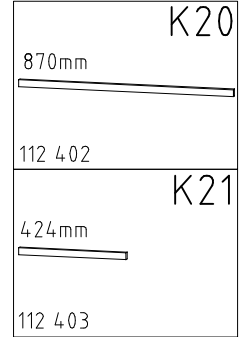
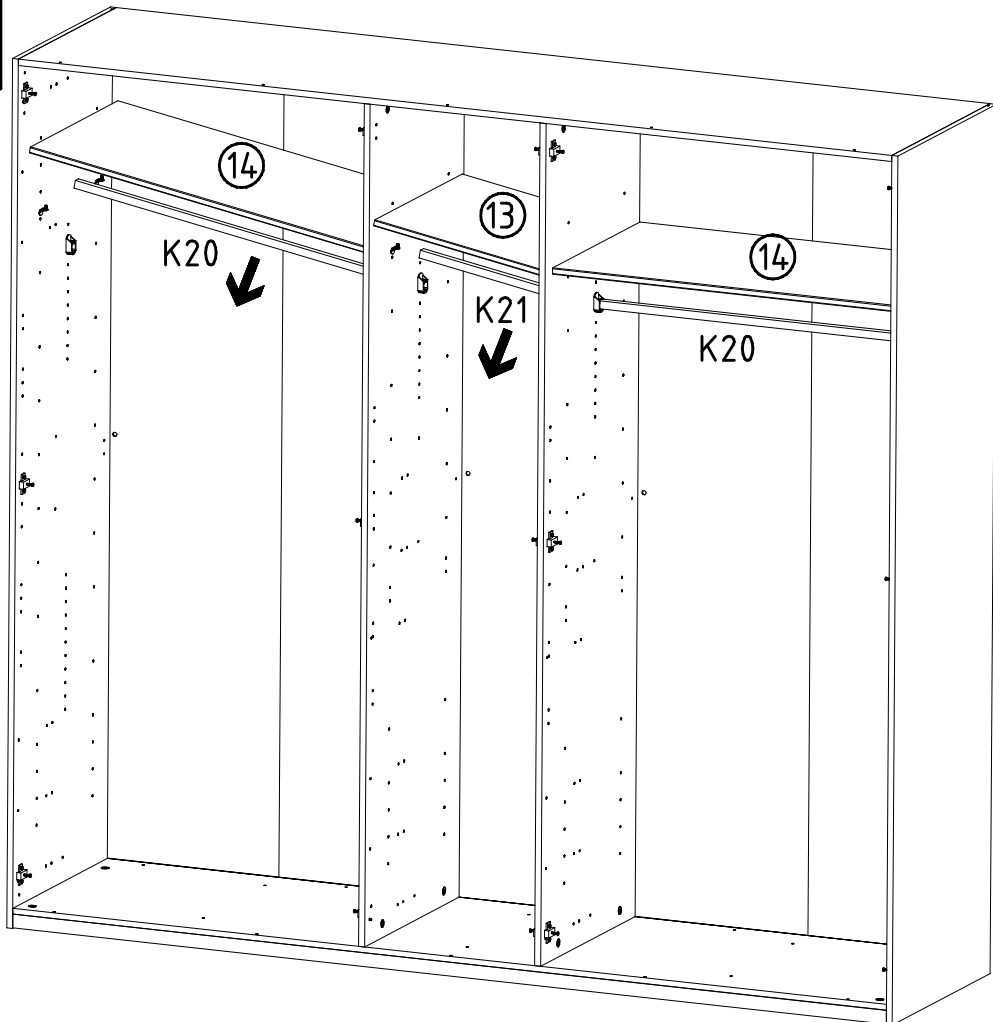




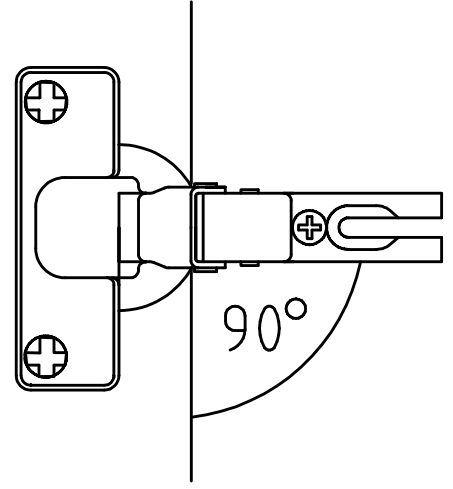
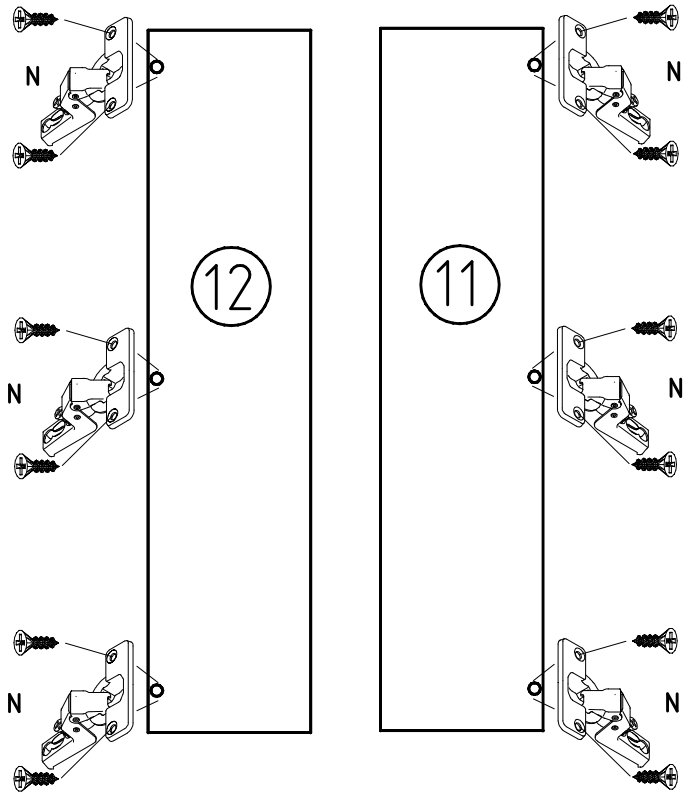
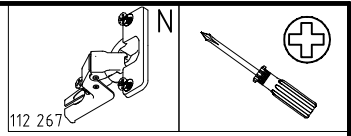
11



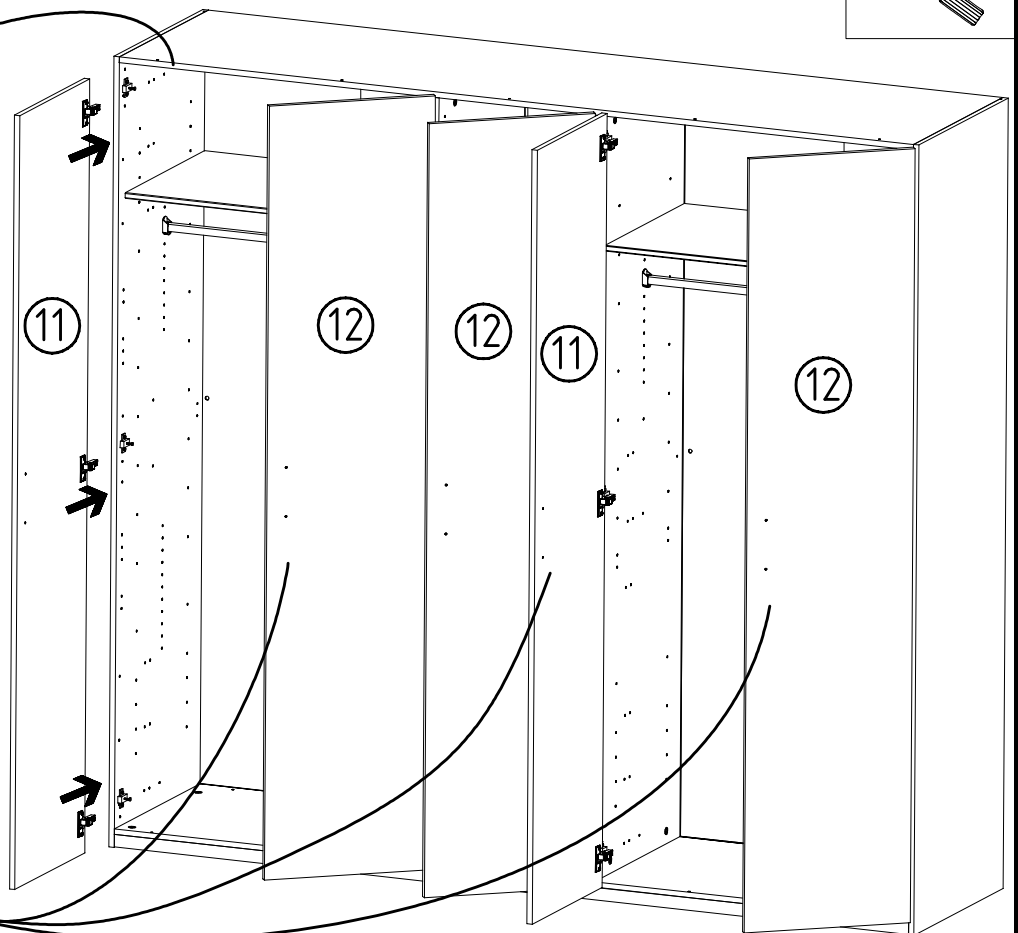
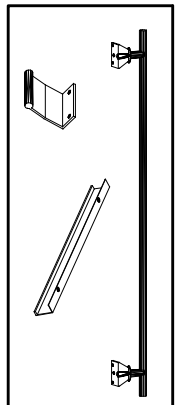
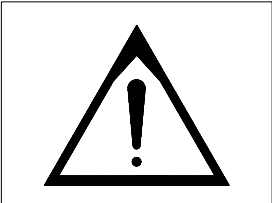
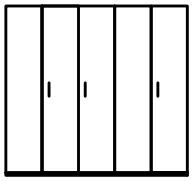
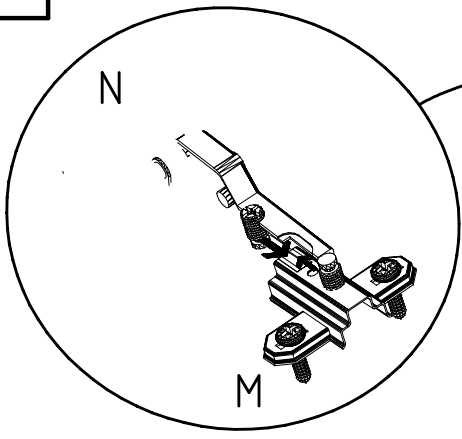
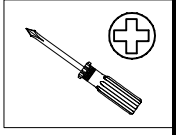
12

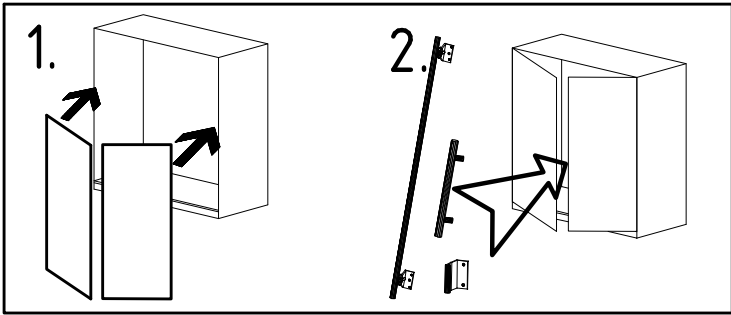
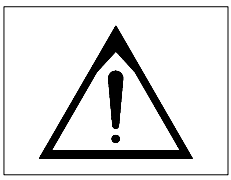


13

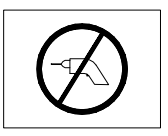
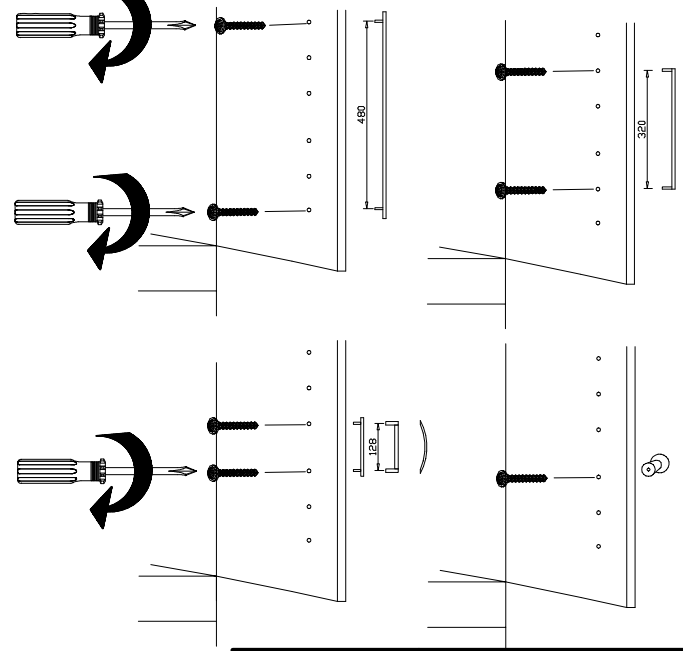
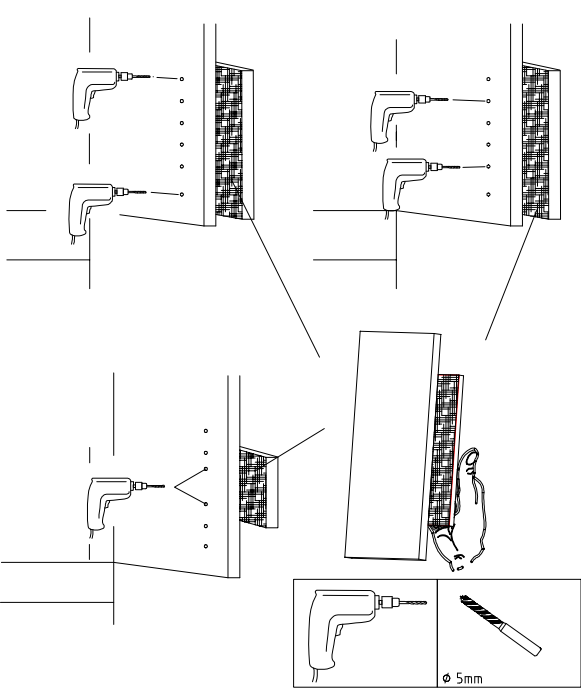
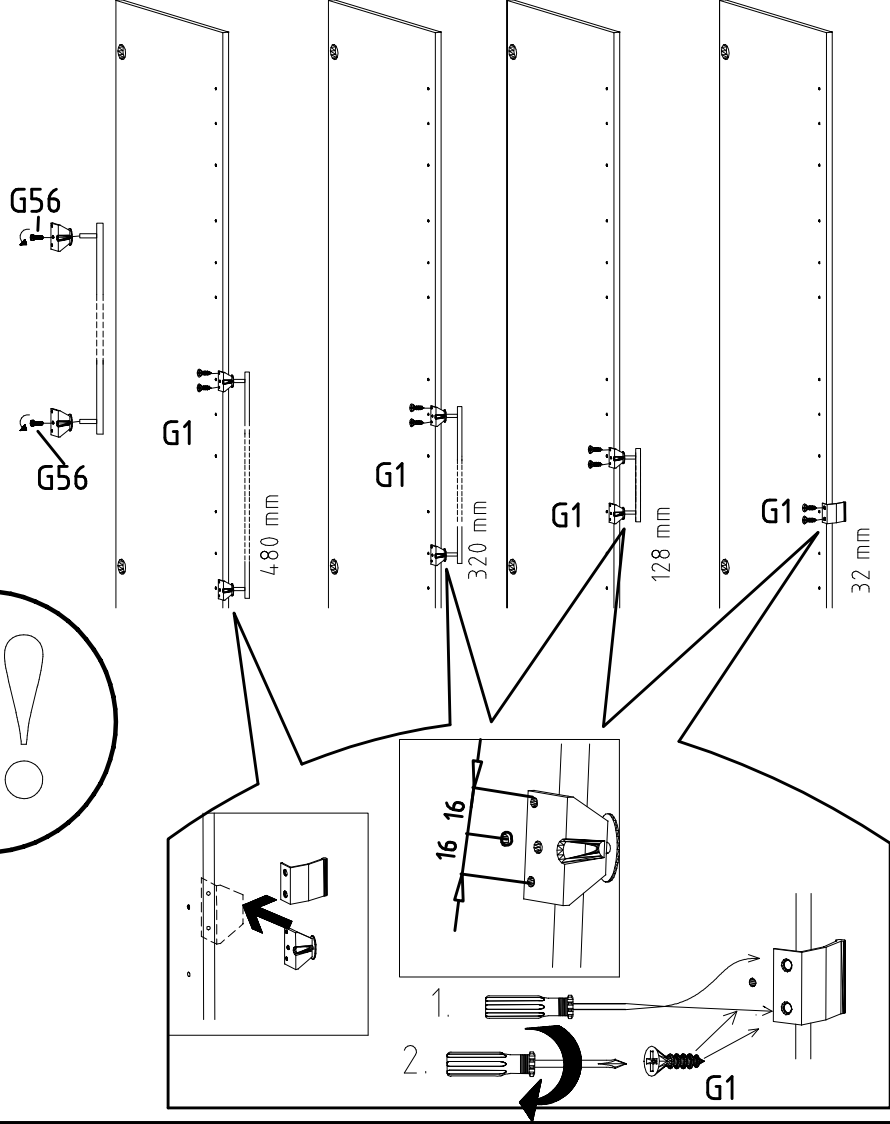
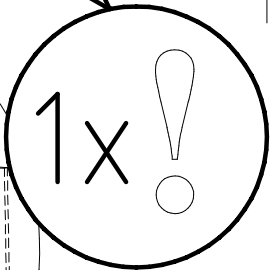
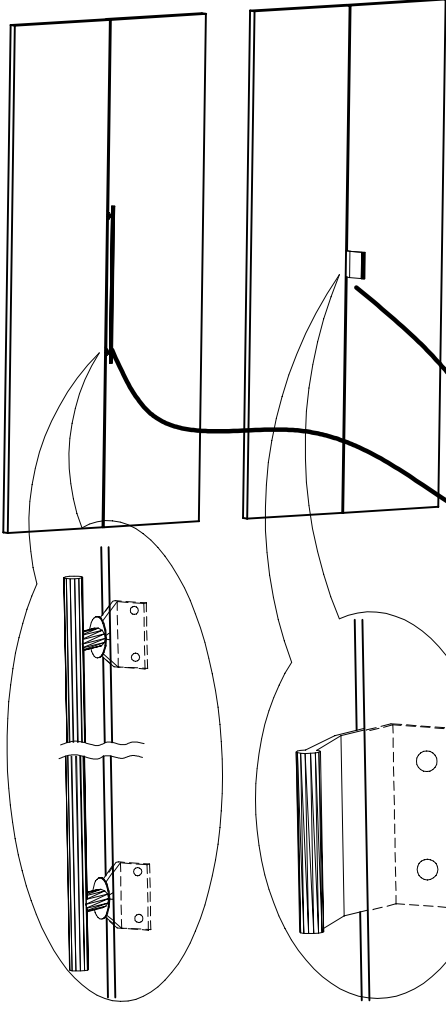


14





3,5 x 15 mm 121 370 	G1 4,0 x 12 mm 122 625
----------------------------	----------------------------------



	SP27
4 X 27mm	
122620	
4,0x22	G49
122 609	