

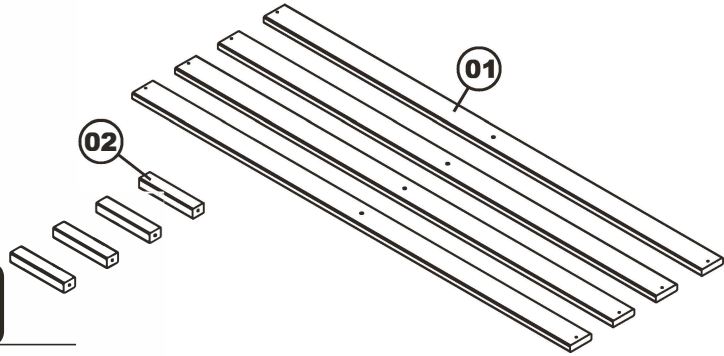
## ASSEMBLY INSTRUCTIONS

Before assembling your Support boards, please read through these instructions carefully and familiarize yourself with the different parts. Please note that you will require a Phillips screwdriver.



### PARTS LIST

- 01 SUPPORT BOARDS 4 PCS**
- 02 CENTER LEG 4 PCS**



**PO :** \_\_\_\_\_

### HARDWARE

- |   |   |   |
|---|---|---|
|  |  |  |
| <b>A</b> 1 1/2" Allen screw - 4 pcs<br>Spare - 1 pc                               | <b>B</b> 1 1/4" Wood screw - 8 pcs<br>Spare - 1 pc                                | <b>C</b> Allen wrench - 1 pc<br>Spare - 1 pc  |

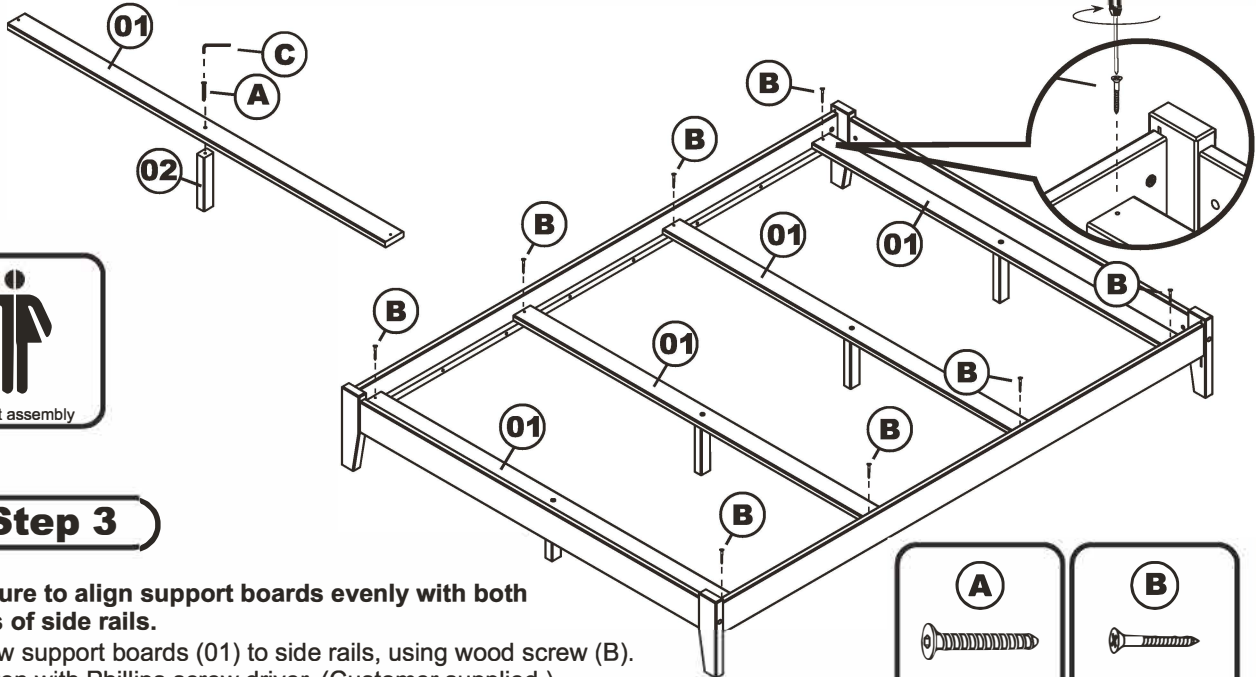
**NOTE: WE INCLUDE SPARE HARDWARE IN CASE THE WOOD SCREW OR ALLEN SCREW ARE DAMAGED DURING ASSEMBLY.**

### Step 1

Assemble bed frame according to assembly instructions.

### Step 2

Assemble center leg (02) and support boards (01). Using allen screw (A). Tighten with the Allen wrench (C). Repeat for other center legs.



Adult assembly

### Step 3

**Be sure to align support boards evenly with both ends of side rails.**  
 Screw support boards (01) to side rails, using wood screw (B). Tighten with Phillips screw driver. (Customer supplied )  
 Be sure the space between support boards is even.

