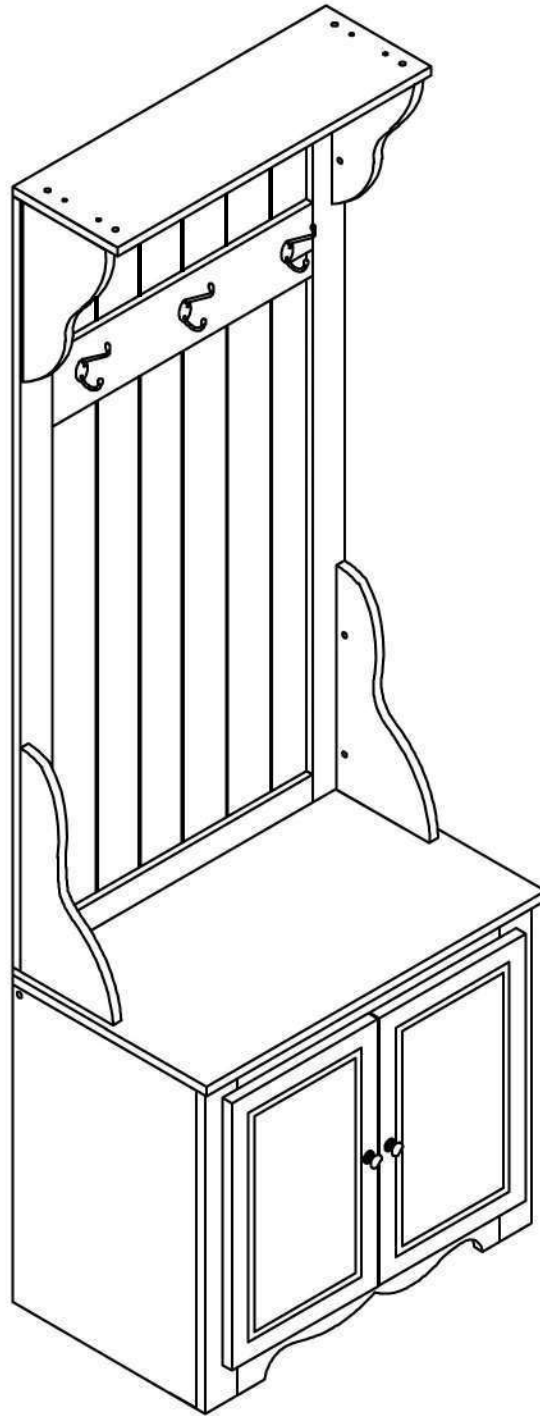


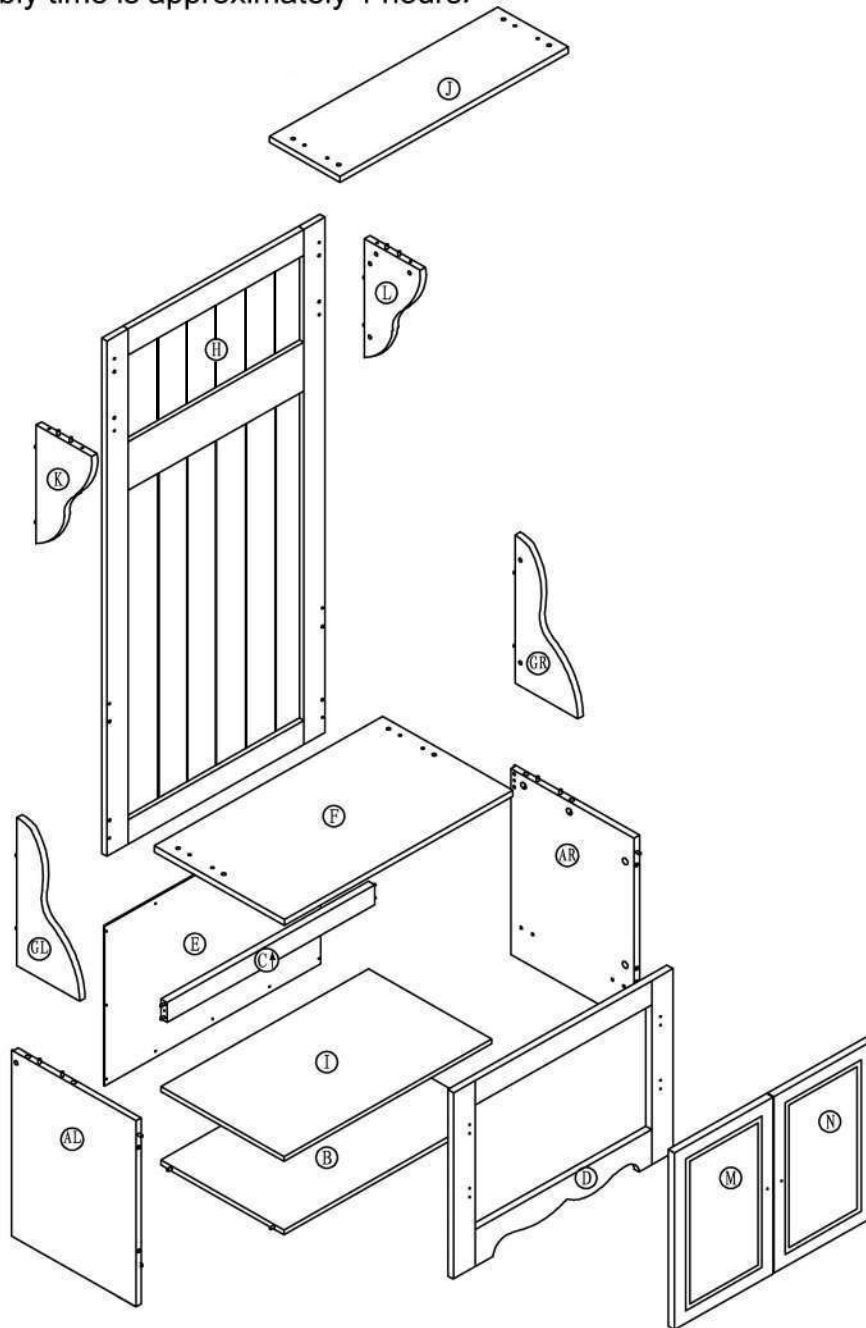
ASSEMBLY GUIDE



Note: This instruction booklet contains important safety information, please read and keep for future reference.

PARTS IDENTIFICATION

- Ensure that all parts and components are located before beginning assembly. Parts are labeled to help distinguish similar parts from each other. Use this PARTS IDENTIFICATION to help identify similar parts.
- Assemble on a soft surface to prevent damage to the product finish.
- Two people are needed for assembly.
- Estimated assembly time is approximately 1 hours.



(AL)LEFT PANEL-1PC

(C)BAR-1PC

(F)COVER BOARD-1PC

(H)TOP BACK PANEL-1PC

(K)TOP LEFT PANEL-1PC

(N)RIGHT DOOR-1PC

(AR)RIGHT PANEL-1PC

(D)FRONT PANEL-1PC

(GL)MIDDLE LEFT PANEL-1PC

(I)SHELF-1PC

(L)TOP RIGHT PANEL-1PC

(B)BOTTOM BOARD-1PC

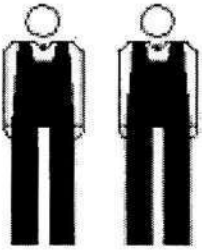
(E)BACK PANEL-1PC

(GR)MIDDLE RIGHT PANEL-1PC

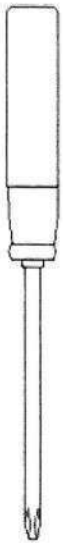
(J)TOP COVER BOARD-1PC

(M)LEFT DOOR-1PC

HARDWARE IDENTIFICATION



TOOL REQUIRED



PHILLIPS HEAD
SCREWDRIVER



SHORT FLAT
SCREWDRIVER

(R1)NUT-14PCS



(R2)PLASTIC CAP-2PCS



(R3)FLAT HEAD SCREW
ST3.5X40-14PCS



(R4)FLAT HEAD SCREW
ST2.5X12- 20PCS



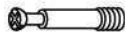
(R5)SHELF SUPPORT-4PCS



(R6)HOOK-3PCS



(R7)CAM BOLT-8PCS



(R8)CAM LOCK-8PC



(R9)DOOR KNOB-2PCS



(R10)FLAT HEAD SCREW
ST2.9X15-6PCS



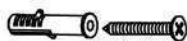
(R11)CAM BOLT -4PCS



(R12)CAM LOCK-4PCS



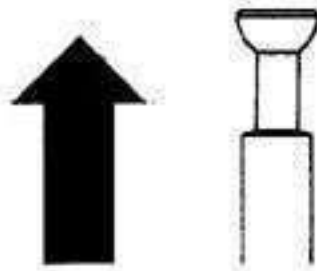
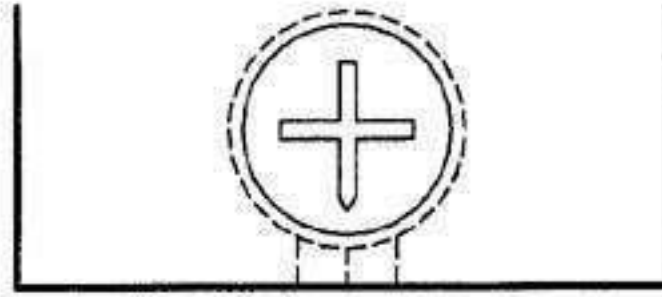
(R13)PLASTIC SCREW
ANCHOR-1PC



(R14)STICKER- 12PCS

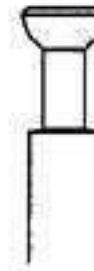
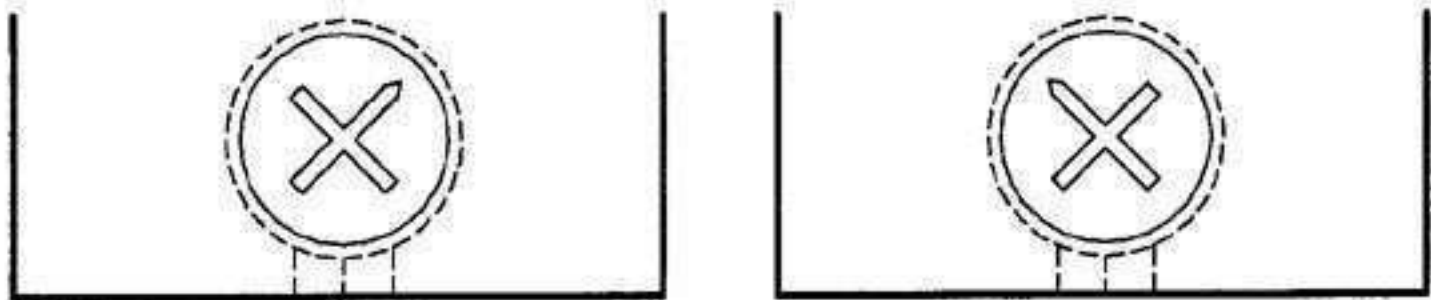


CAM LOCK SYSTEM



(1)

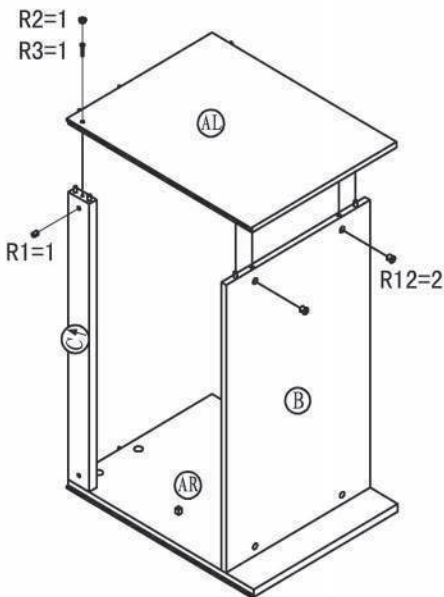
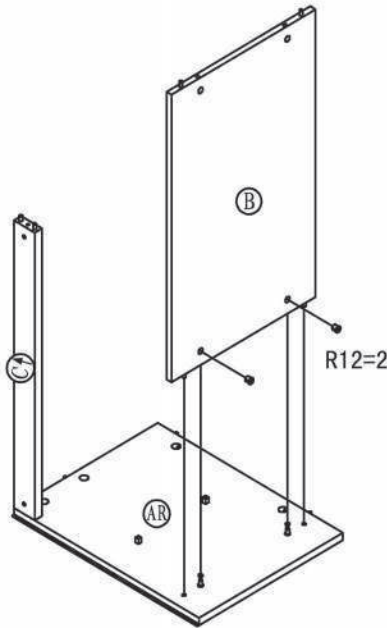
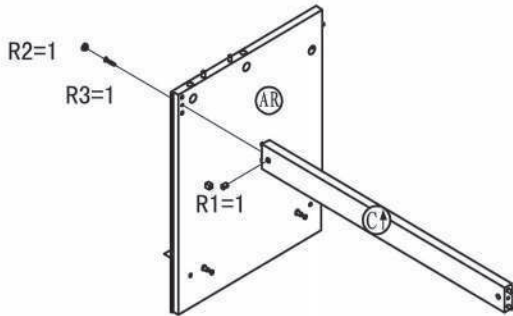
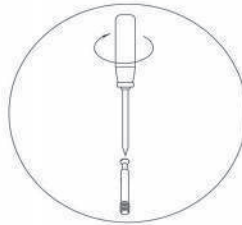
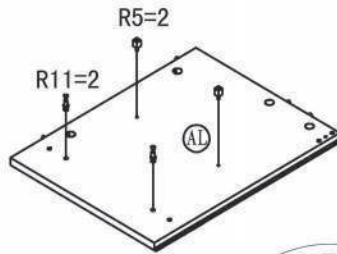
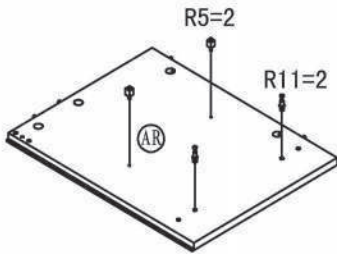
CORRECT



(2)

WRONG

Ensure starting position is correct, adjust cam bolt by pushing or pulling during assembly. Turn clockwise until secure.



(R1)NUT:2PCS



(R2)PLASTIC CAP:2PCS



(R3)FLAT HEAD SCREW
ST3.5X40:2PCS



(R5)SHELF SUPPORT:4PCS



(R11)CAM BOLT:4PCS



(R12)CAM LOCK:4PCS

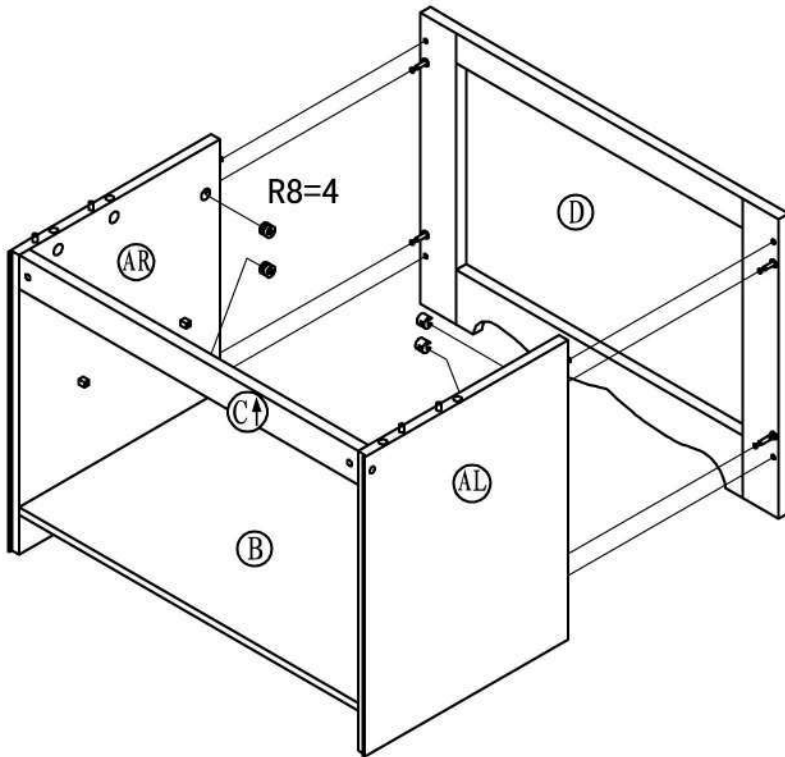
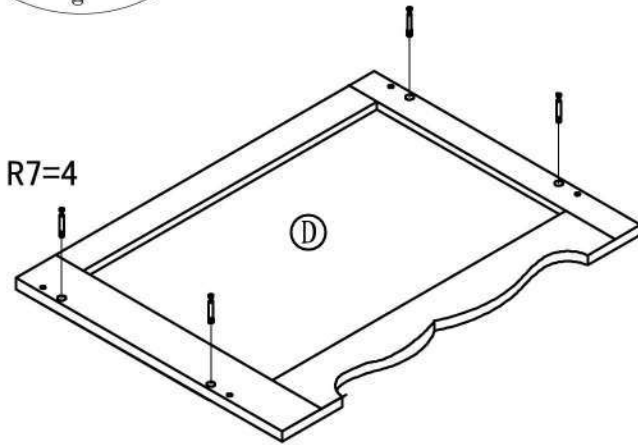
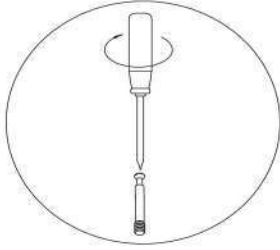
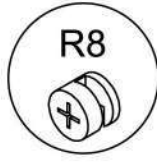


1.a)Fasten 4 cam bolt R11 and 4 shelf support R5 to left and right panel AL&AR.


b)Fasten bar C to right panel AR using 1 flat head screw R3 (ST3.5X40) and 1 nut R1, then insert 1 plastic cap R2.

c)Fasten bottom board B to right panel AR using 2 cam lock R12.

e)Attach left panel AL to bar C and bottom board B.Fasten AL to bar C using 1 flat head screw R3(ST3.5X40) and 1 nut R1,then insert 1 plastic cap R2.Fasten AL to bottom B using 2 cam lock R12.




(R7)CAM BOLT:4PCS 

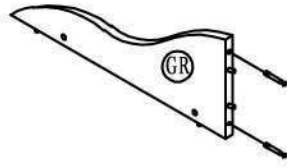
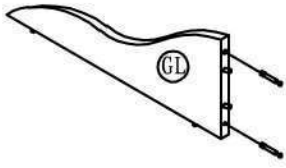
(R8)CAM LOCK:4PCS 

2. a)Fasten 4 cam bolt R7 to front panel D.
- b)Fasten front panel D to left and right panel AL&AR, using 4 cam lock R8

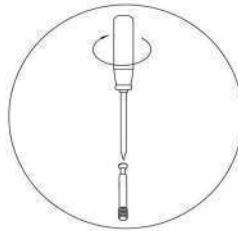


(R7)CAM BOLT:4PCS 

(R8)CAM LOCK:4PCS 



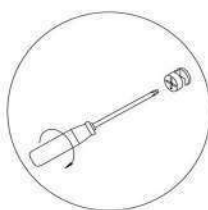
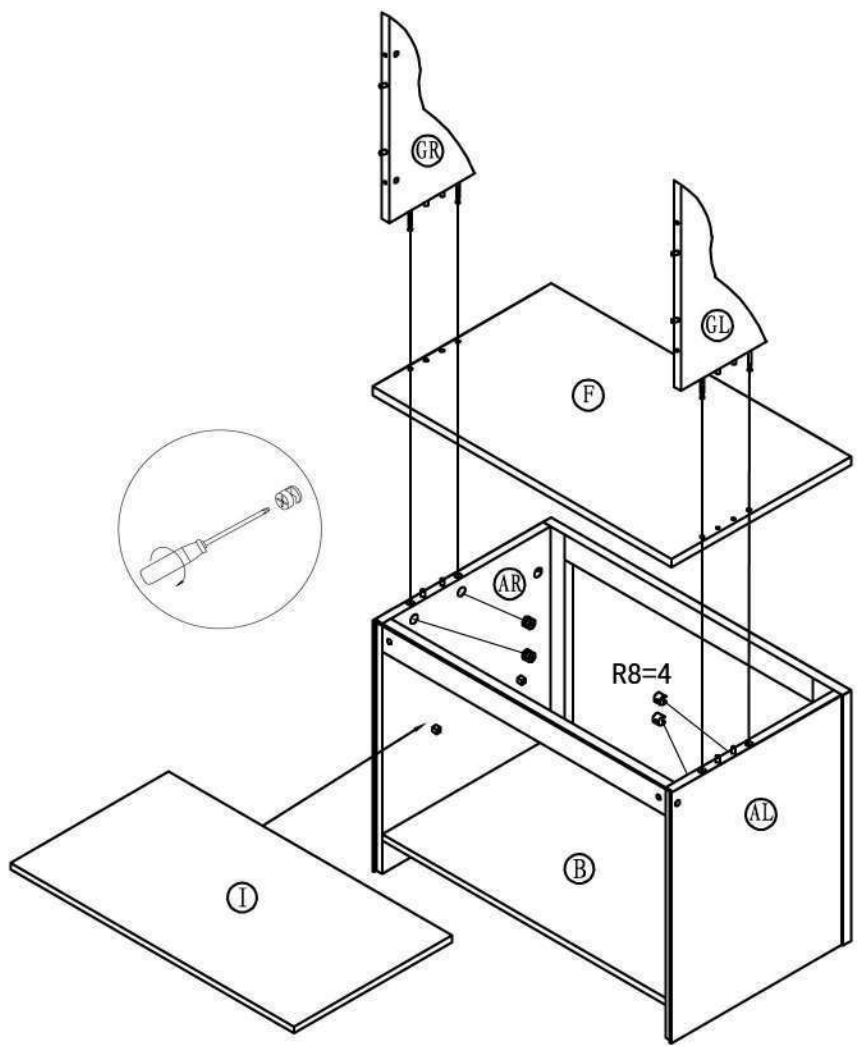
R7=4



3.a)Fasten 4 cam bolt R7 to middle left and right panel GL&GR.

b)Fasten GL&GR to left and right panel AL&AR through the hole on the cover board F using 4 cam lock R8.

c)Attach shelf I on shelf support R5.

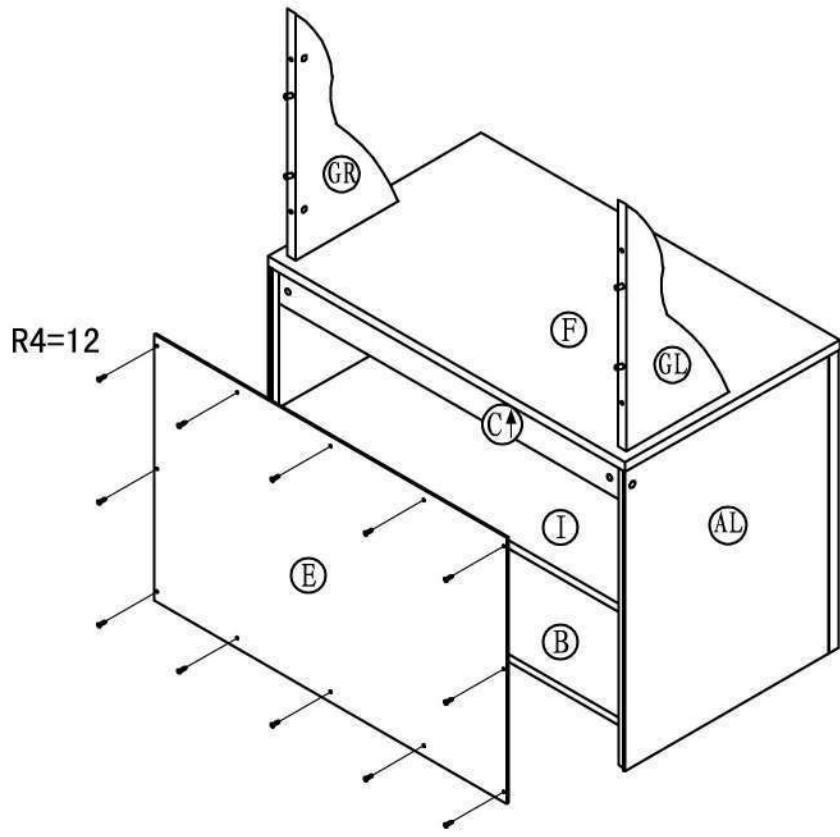


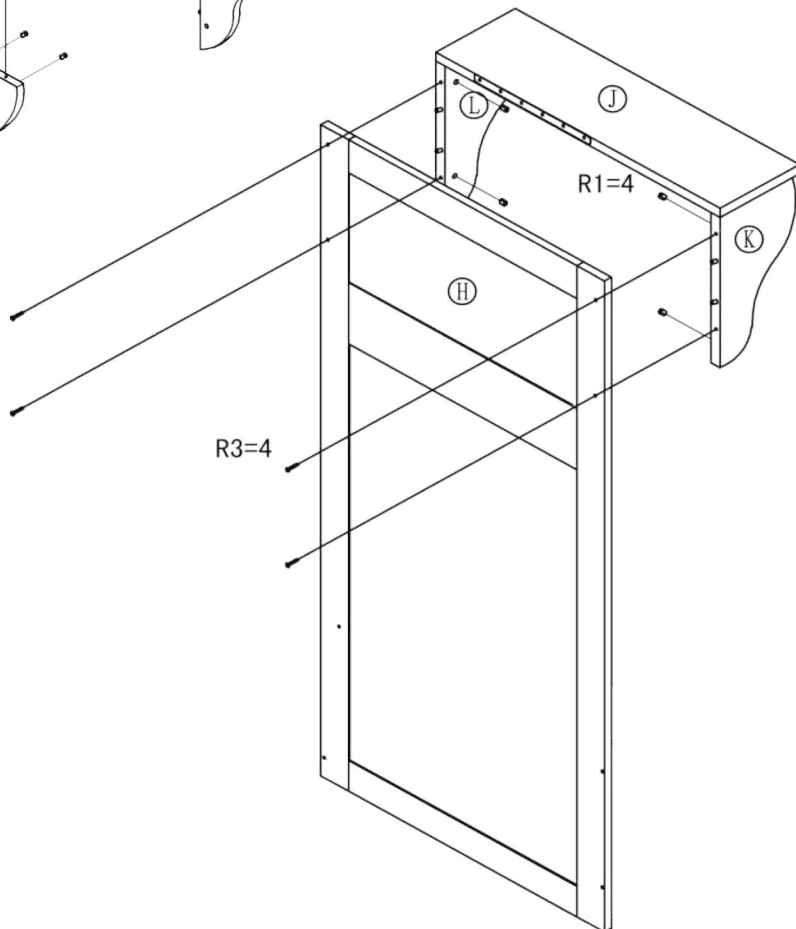
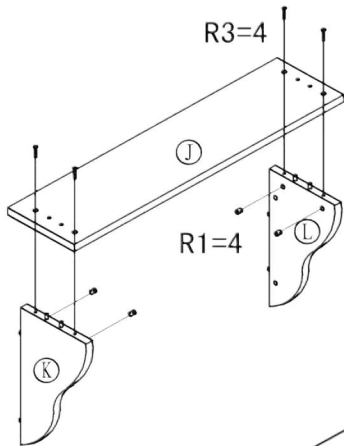
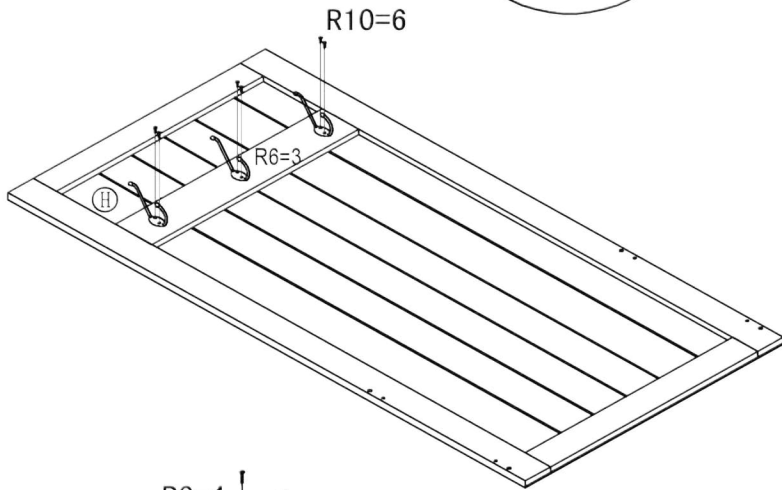
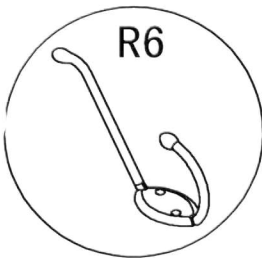
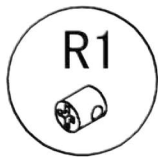


(R4)FLAT HEAD SCREW
ST2.5X12:12PCS



4.a)Fasten back panel E to cover
board F, bottom board B
left and right panel AL&AR,
using 12 flat head acrew R4
(ST2.5X12).





(R1)NUT:8PCS



(R3)FLAT HEAD SCREW
ST3.5X40:8PCS



(R10)FLAT HEAD SCREW
ST2.9X15:6PCS



(R6)HOOK:3PCS



5.a)Fasten 3 hook R6 to the top
back panel H using 6 flat head
screw R10(ST2.9X15).

b)Fasten top cover board J to
top left and right panel K&L
using 4 flat head screw R3
(ST3.5X40) and 4 nut R1.

c)Fasten top left and right panel
K&L to top back panel H using
4 flat head screw R3(ST3.5X40)
and 4 nut R1.

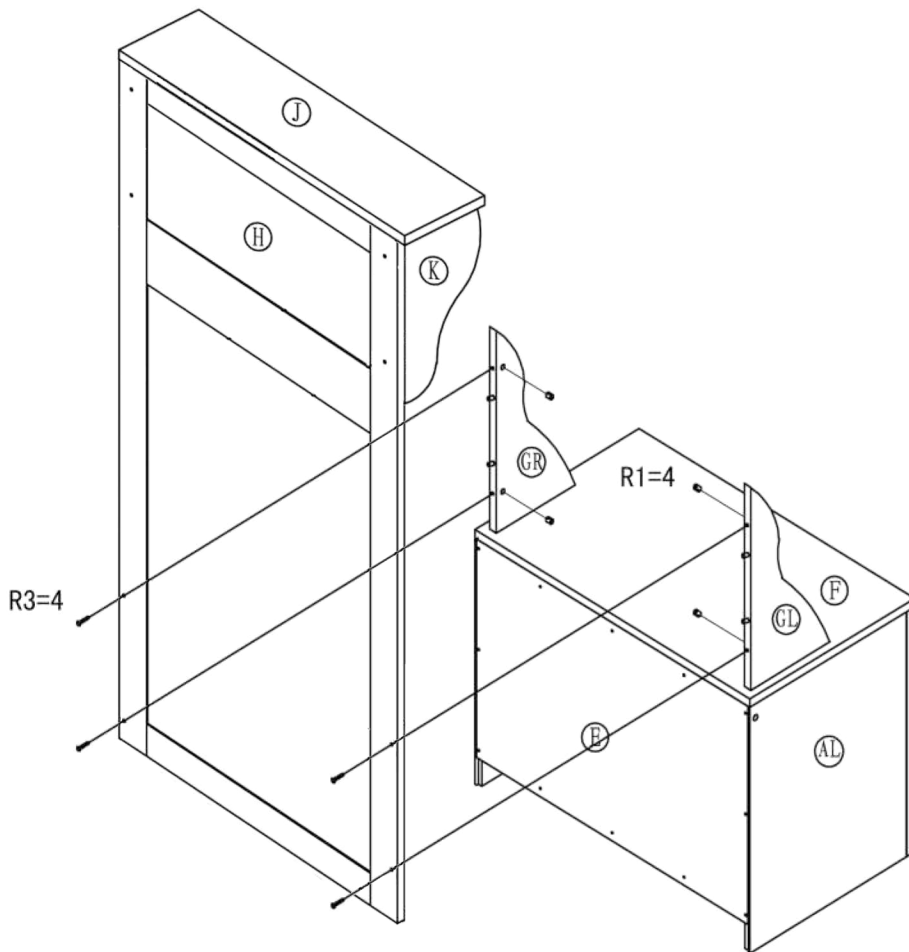


(R1)NUT:4PCS



(R3)FLAT HEAD SCREW

ST3.5X40:4PCS



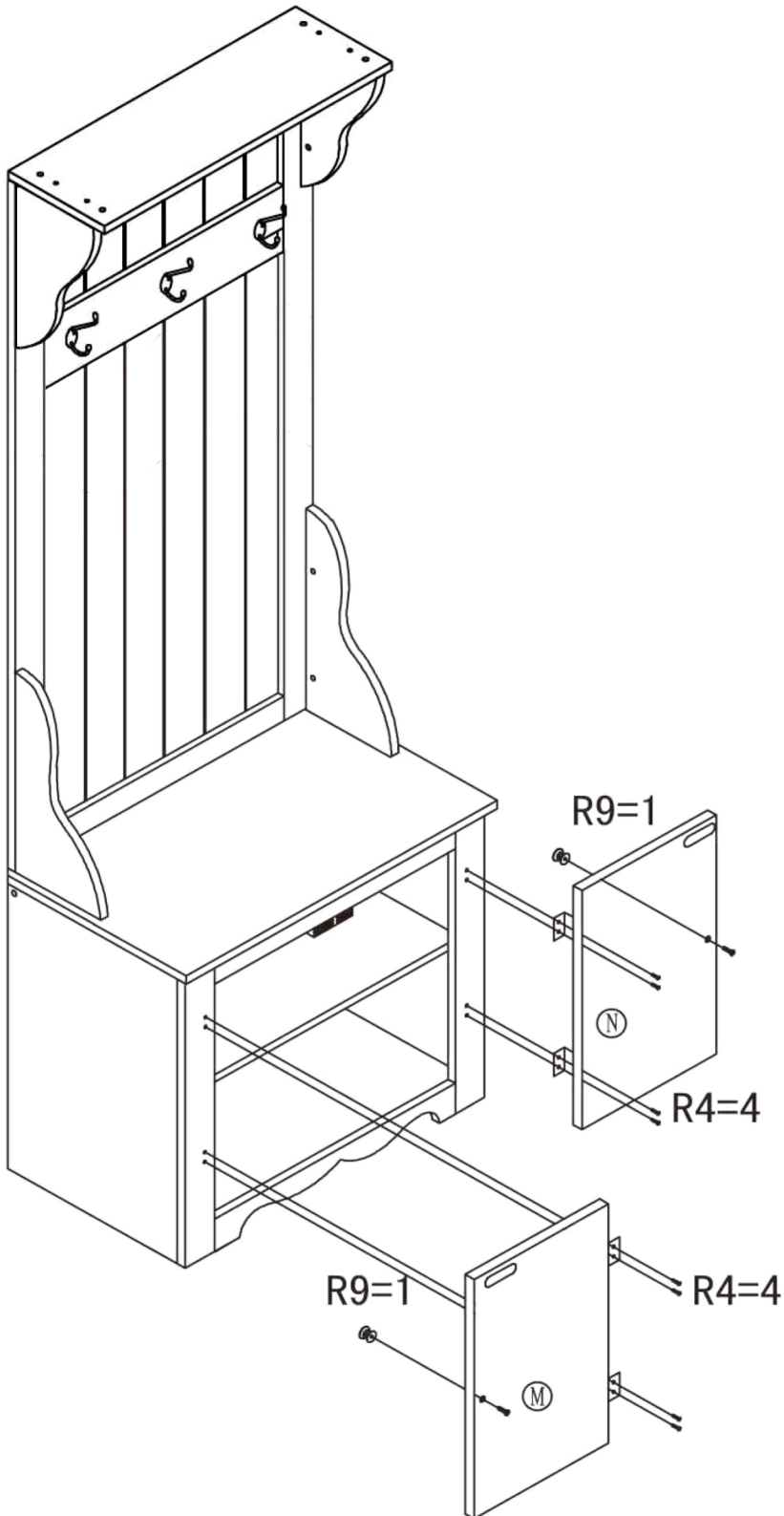
6. Fasten top back panel H to middle left and right panel GL&GR using 4 flat head screw R3(ST3.5X40) and 4 nut R1.



(R4)FLAT HEAD SCREW
ST2.5X12:8PCS



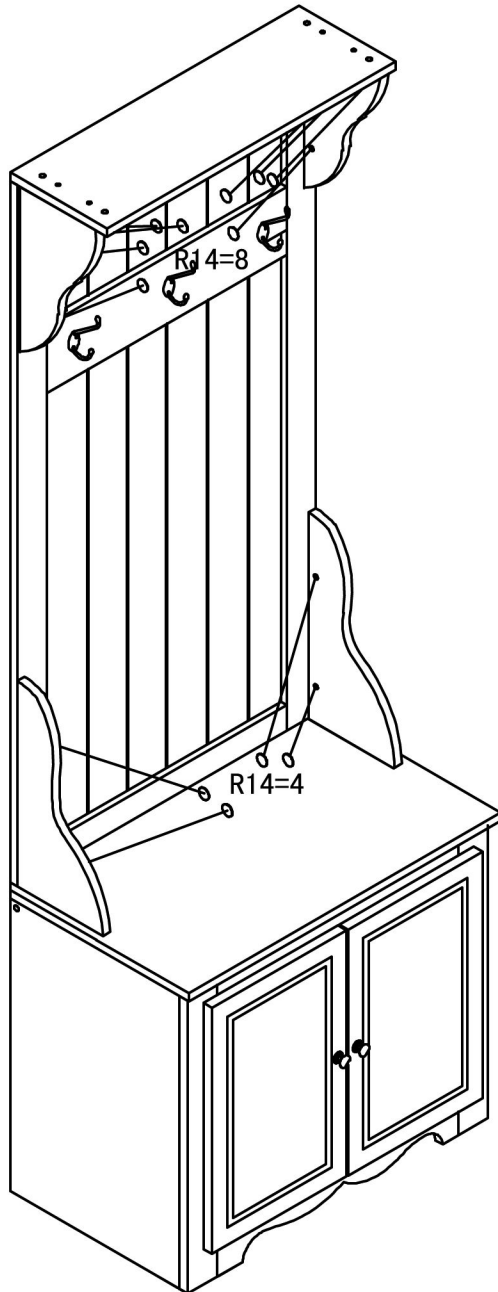
(R9)DOOR KNOB:2PCS



7. a)Fasten left and right door
M&N to front panel D
using 8 flat head screw
R4(ST2.5X12).

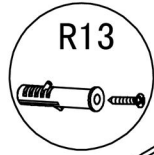
b)Fasten door knob R9 to left
and right door M&N.

(R14)STICKER-12PCS

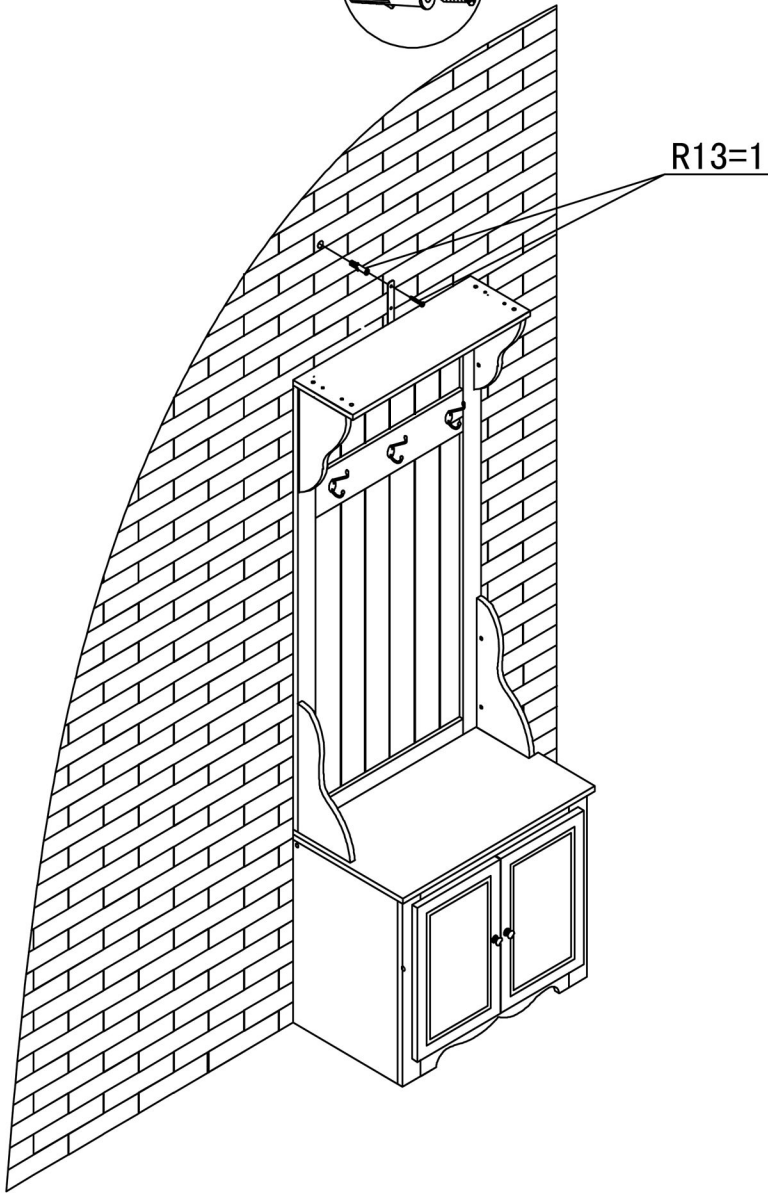


8. a) Put 4 sticker R14 on the hole of middle left and right panel GL&GR.

b) Put 8 sticker R14 on the hole of top left and right panel K&L.



(R13) PLASTIC SCREW ANCHOR : 1PC



9. As an added safety feature 2 support strap on top cover board J has been provided, it must be attached to the wall, using plastic plug R13.