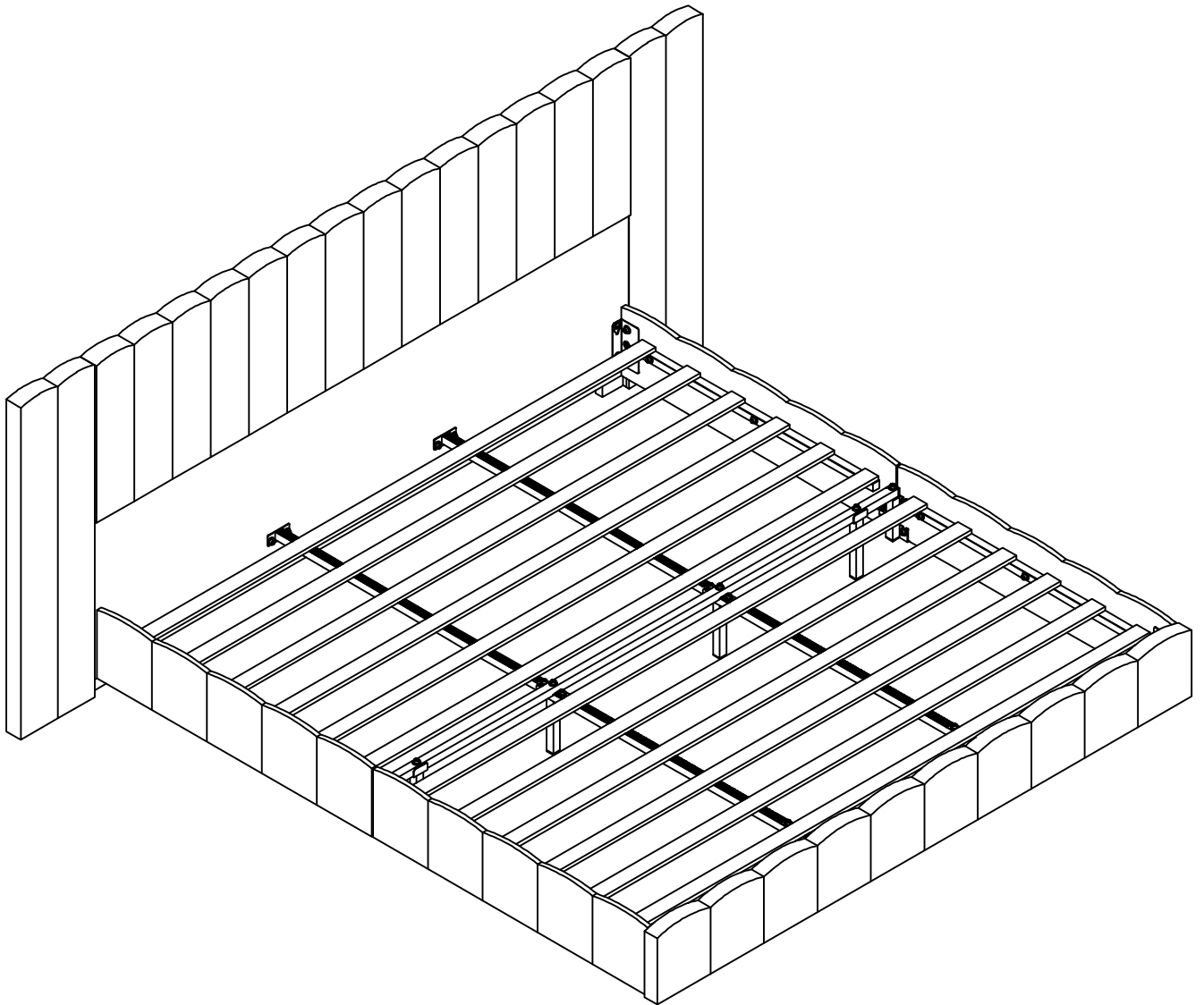


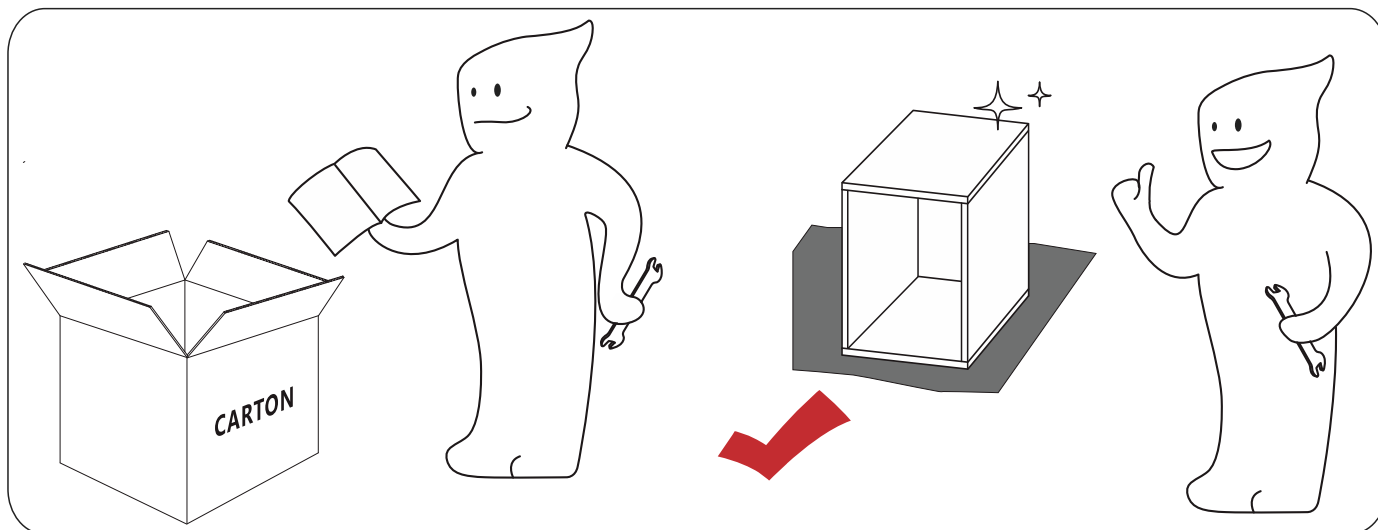
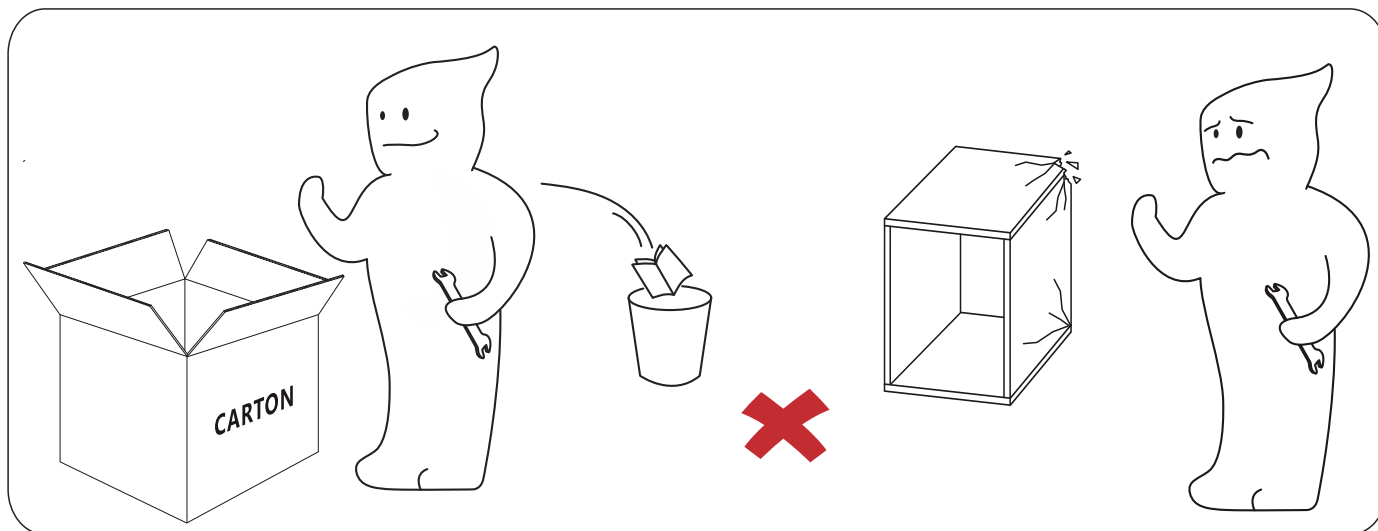
LED Upholstered Platform Bed



Satisfaction Guarantees: Any problems with assembly, quality, or return, please feel free to contact us directly.

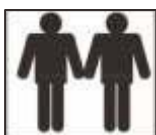
! IMPORTANT

Please follow the instruction manuals and use a pad to protect the product during your assembly.



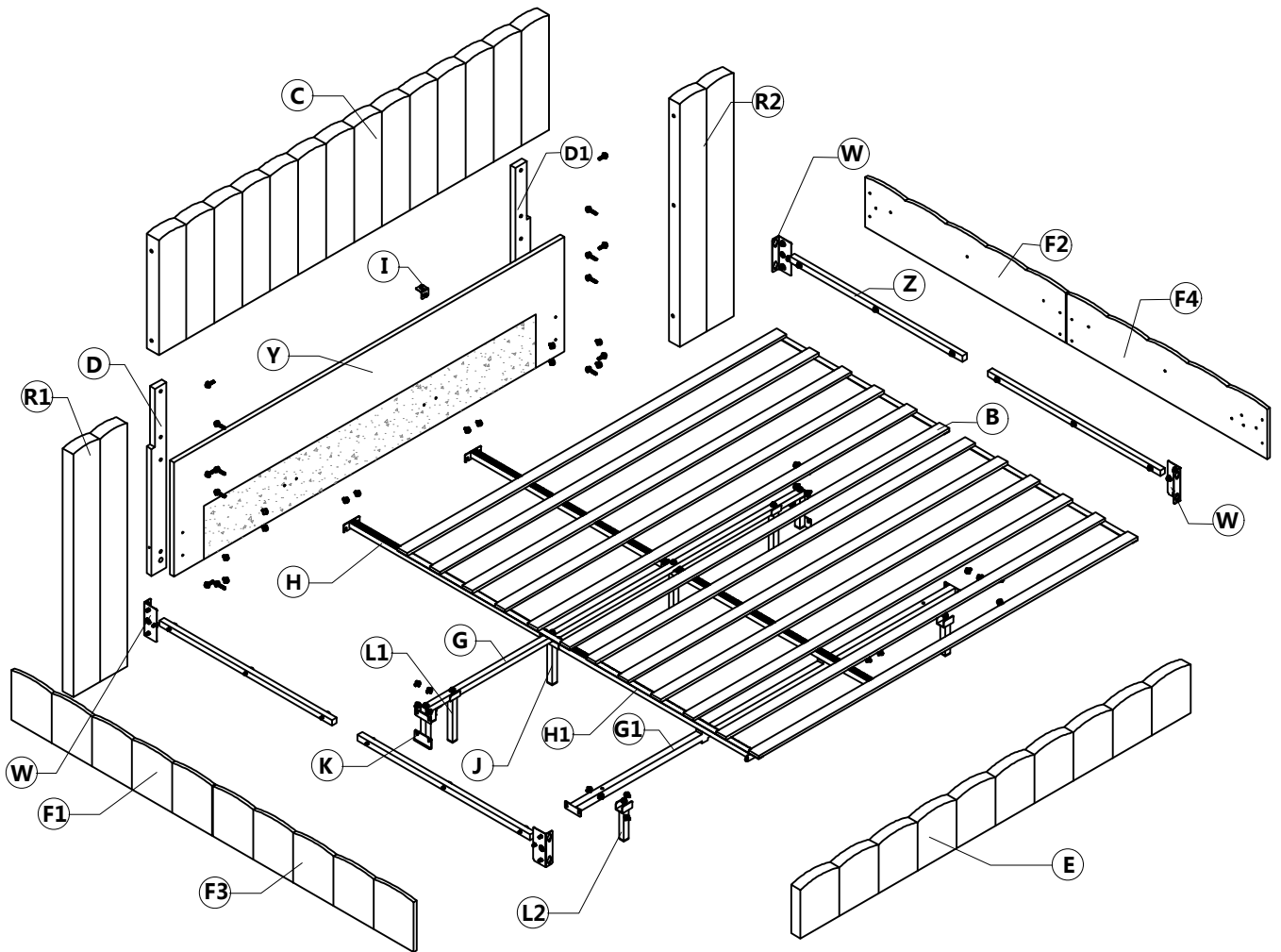
Note:

1. Should be assembled on flat ground to keep balance.
2. Before completing the installation, do not tighten the screws.

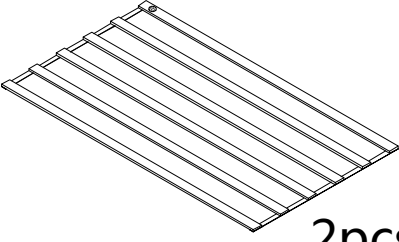
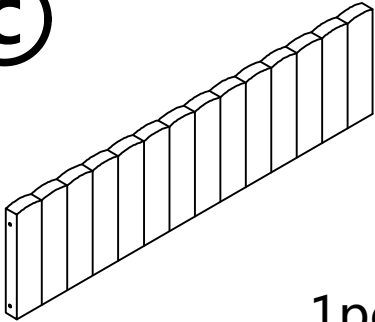


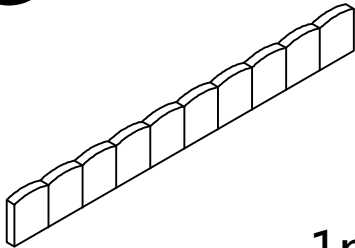
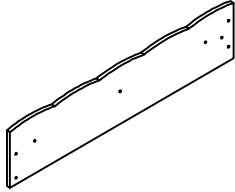
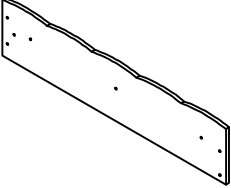
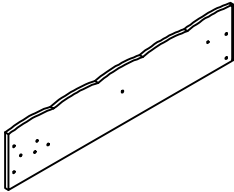
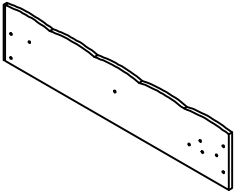
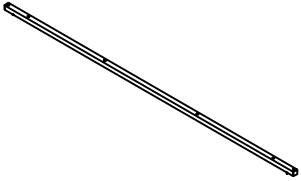
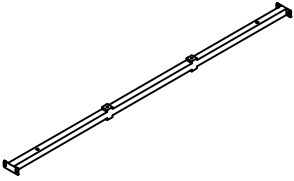
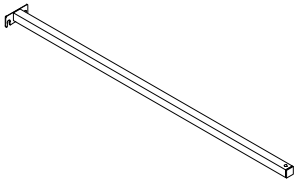
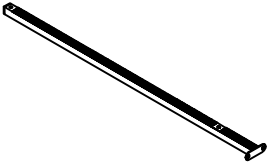
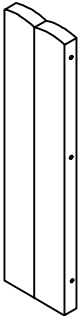
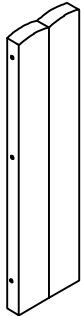
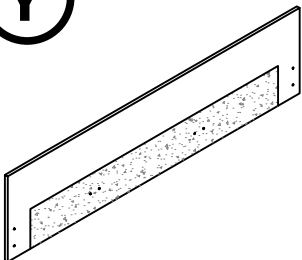
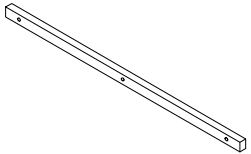


For easier and better assembly, **2** or more adults are required.

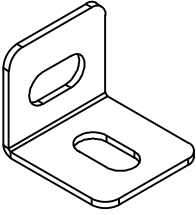
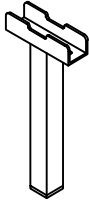
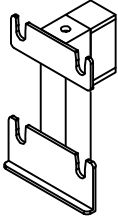
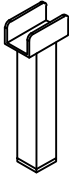
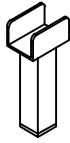
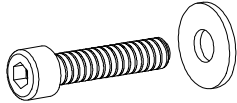
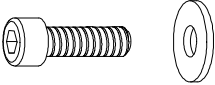
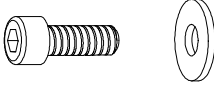
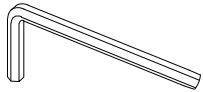
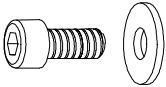
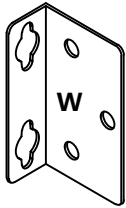


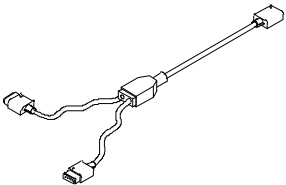
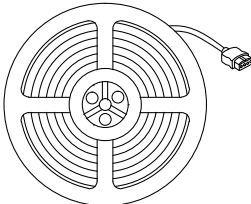
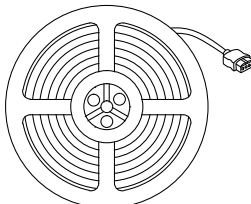
ASSEMBLY INSTRUCTIONS



BED FRAME PARTS LIST

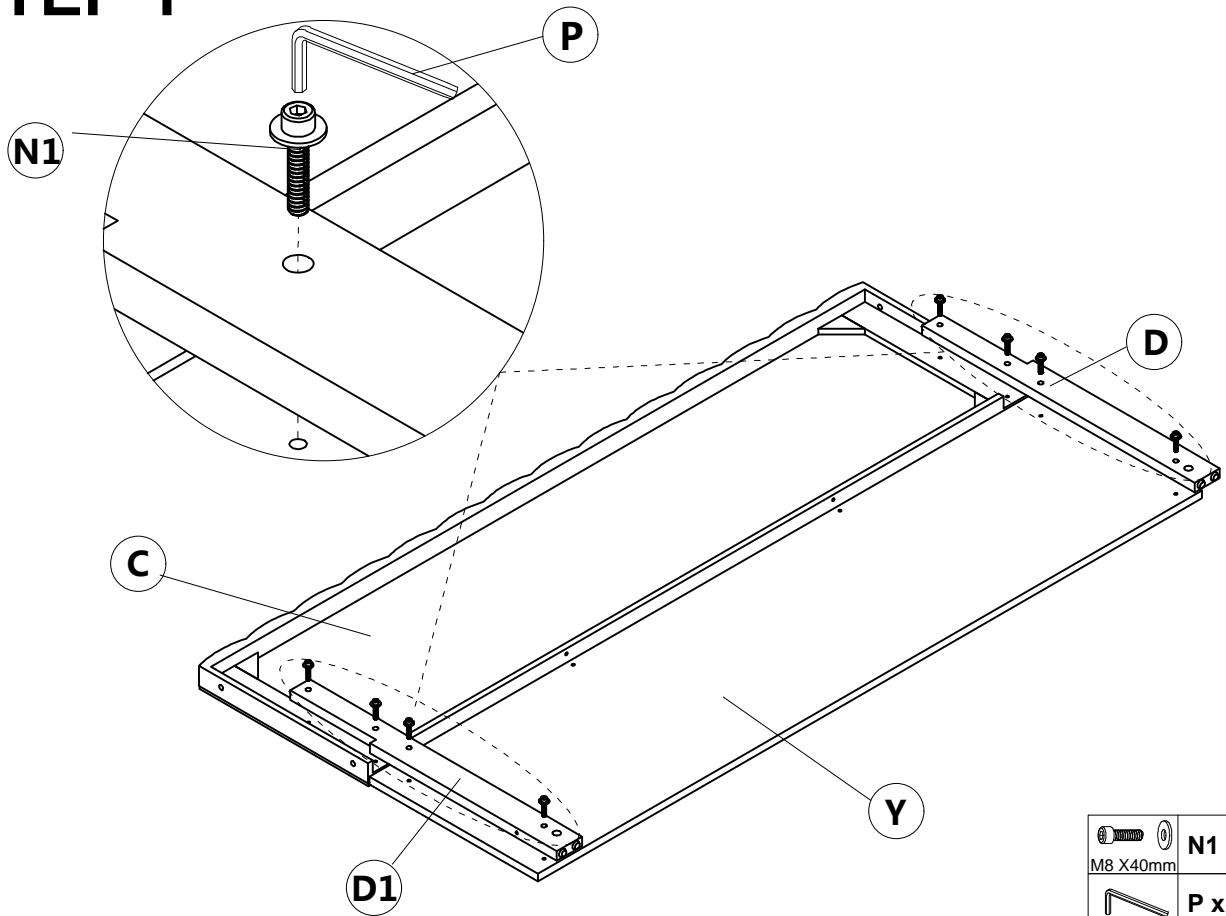
| | | | |
|---|---|---|--|
| <p>(B)</p>  <p>2pcs</p> | <p>(C)</p>  <p>1pc</p> | <p>(D)</p>  <p>1pc</p> | |
| <p>(D1)</p>  <p>1pc</p> | <p>(E)</p>  <p>1pc</p> | <p>(F1)</p>  <p>1pc</p> | |
| <p>(F2)</p>  <p>1pc</p> | <p>(F3)</p>  <p>1pc</p> | <p>(F4)</p>  <p>1pc</p> | |
| <p>(G)</p>  <p>1pc</p> | <p>(G1)</p>  <p>1pc</p> | <p>(H)</p>  <p>2pcs</p> | <p>(H1)</p>  <p>2pcs</p> |
| <p>(R1)</p>  | <p>(R2)</p>  | <p>(Y)</p>  <p>1pc</p> | <p>(Z)</p>  <p>4pcs</p> |

FITTING PARTS LIST

| | | | |
|--|---|---|---|
| <p>I</p>  <p>2pcs</p> | <p>J</p>  <p>2pcs</p> | <p>K</p>  <p>2pcs</p> | |
| <p>L1</p>  <p>2pcs</p> | <p>L2</p>  <p>2pcs</p> | <p>N</p>  <p>M8 X50mm 4pcs</p> | |
| <p>N1</p>  <p>M8 X40mm 30pcs+1</p> | <p>N2</p>  <p>M8 X30mm 6pcs</p> | <p>P</p>  <p>M8 Spanner 1pc</p> | |
| <p>Q</p>  <p>M8 X25mm 2pcs</p> | <p>W</p>  <p>4pcs</p> | <p>W1</p>  <p>1pc</p> | |
| <p>X1</p>  <p>1pc</p> | <p>X2</p>  <p>1pc</p> | <p>X3</p>  <p>1pc</p> | <p>X4</p>  <p>1pc</p> |

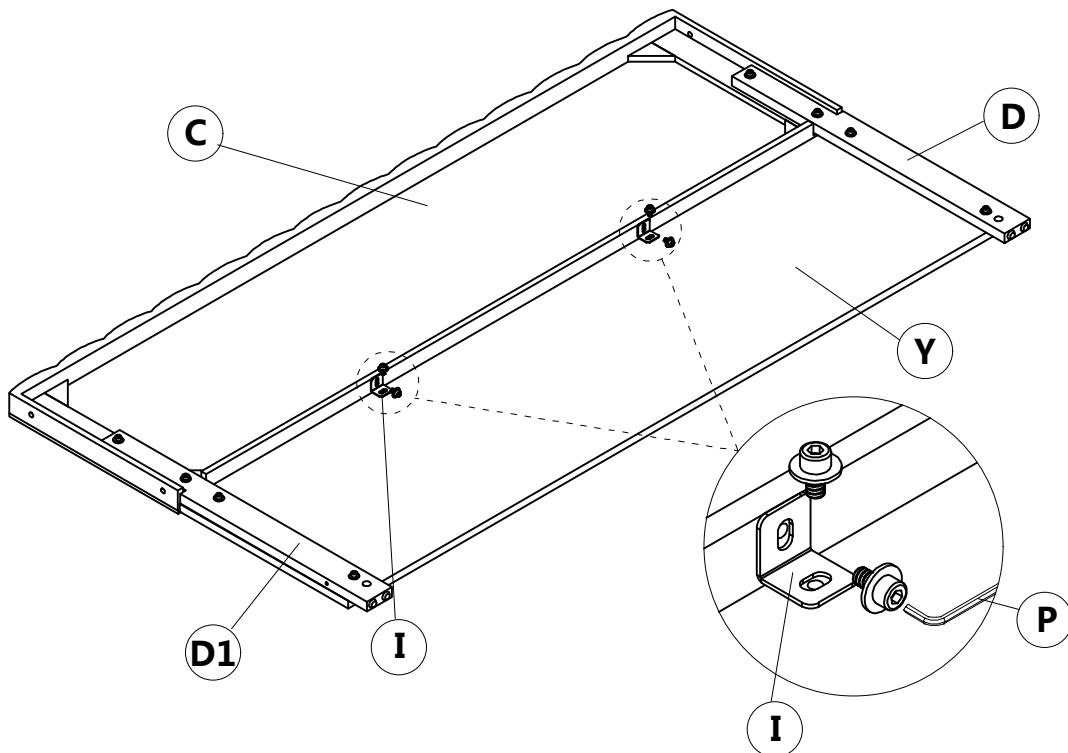
ASSEMBLY INSTRUCTIONS

STEP 1

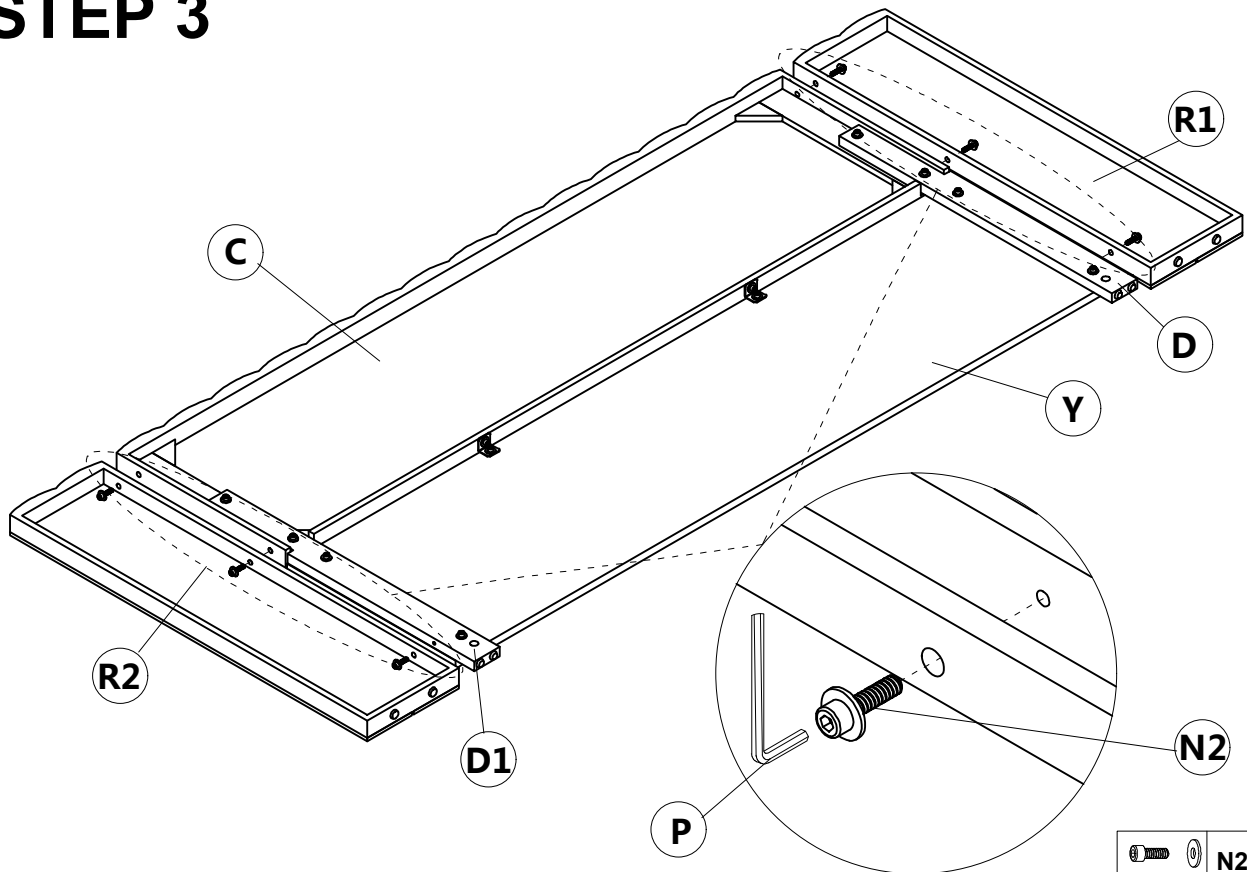


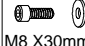

STEP 2

Loosen the screw in the middle of the footboard, hang the bracket, and tighten the inner screw.



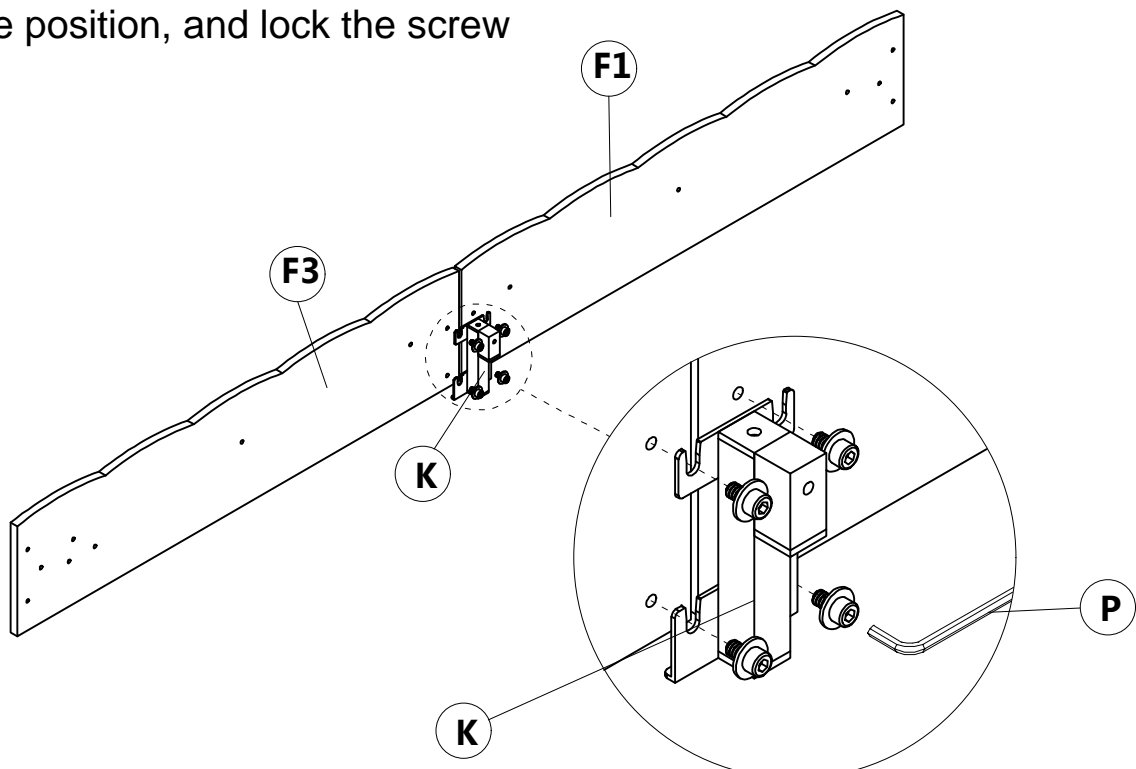
STEP 3




| | |
|---|-----------|
|  | N2 x 6pcs |
| M8 X30mm | |
|  | P x 1pc |

STEP 4

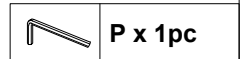
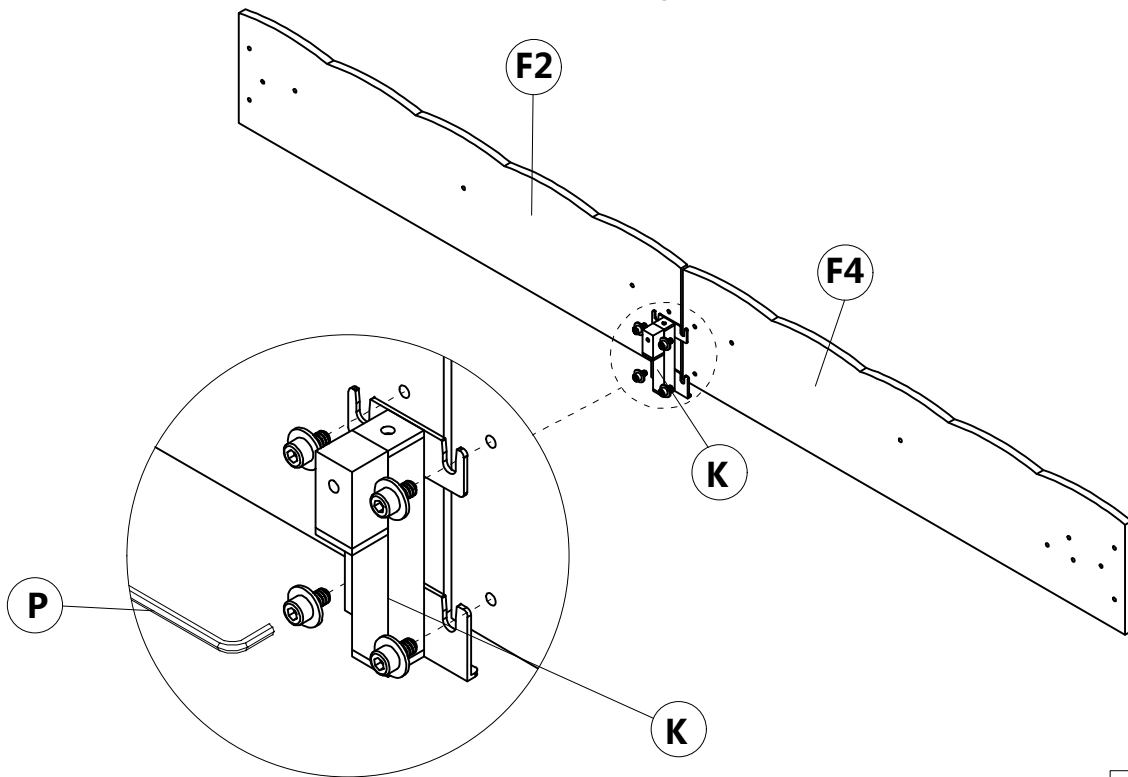
Loosen the screws, align the corner code hole position, and lock the screw



| | |
|---|---------|
|  | P x 1pc |
|---|---------|

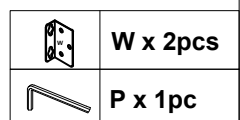
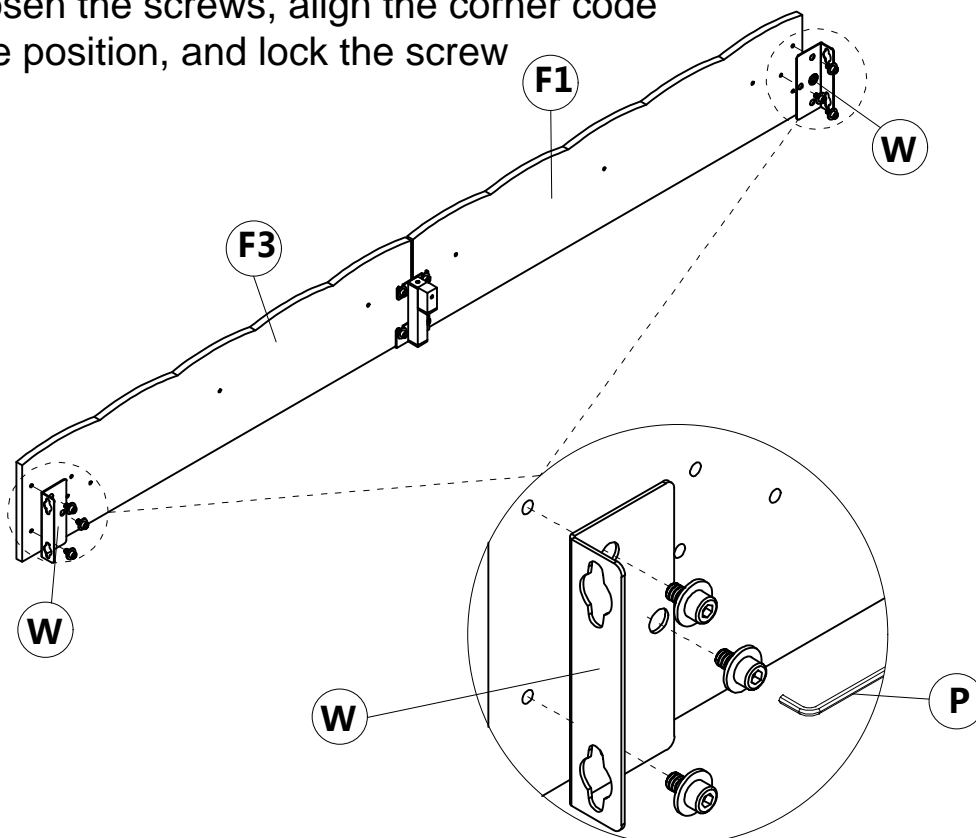
STEP 5

Loosen the screws, align the corner code hole position, and lock the screw



STEP 6

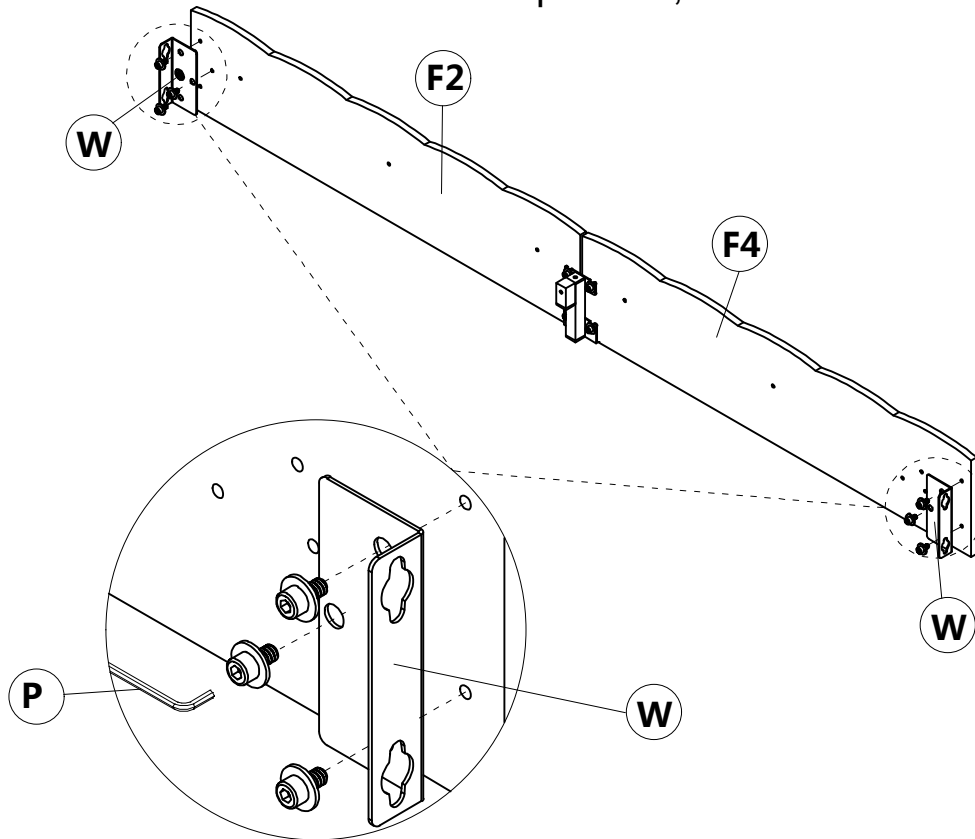
Loosen the screws, align the corner code hole position, and lock the screw





ASSEMBLY INSTRUCTIONS

STEP 7

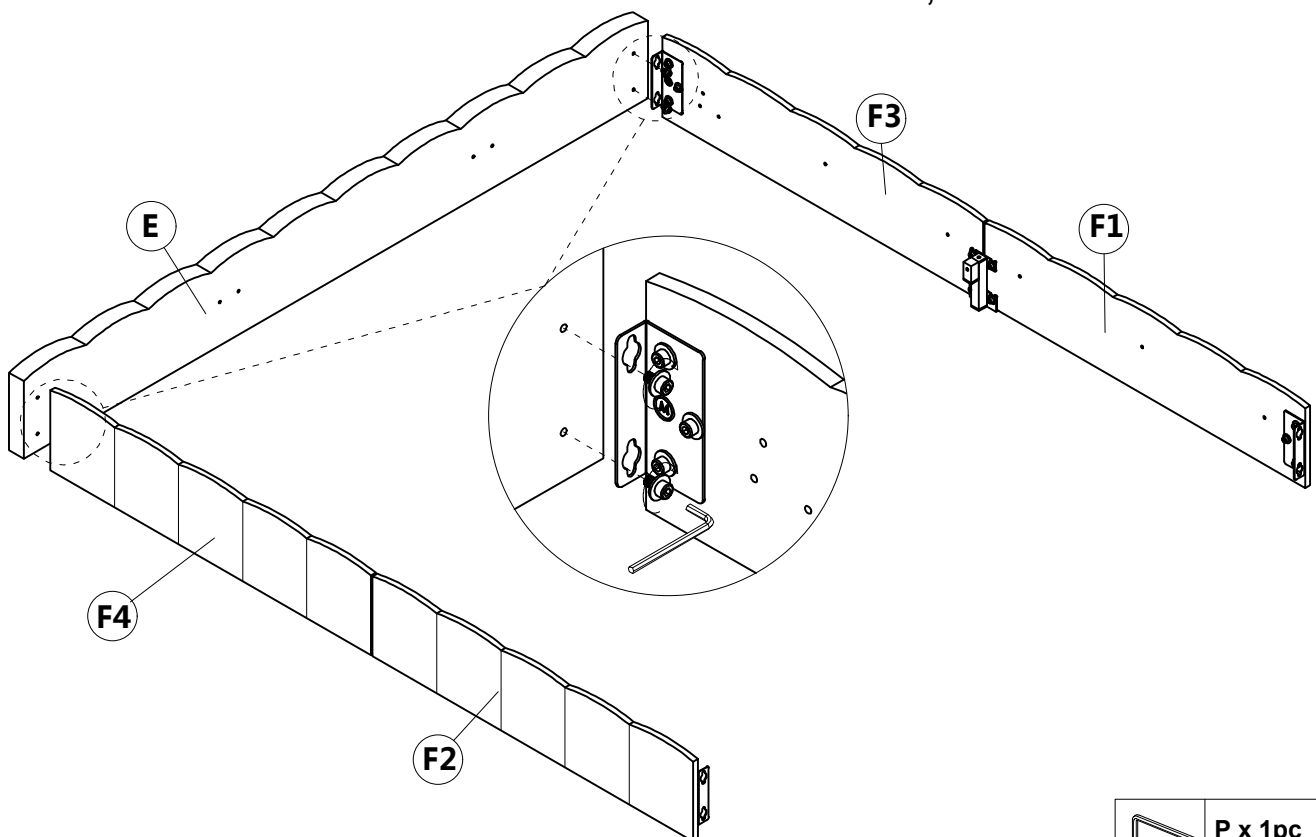
Loosen the screws, align the corner code hole position, and lock the screw




| | |
|---|----------|
|  | W x 2pcs |
|  | P x 1pc |

STEP 8

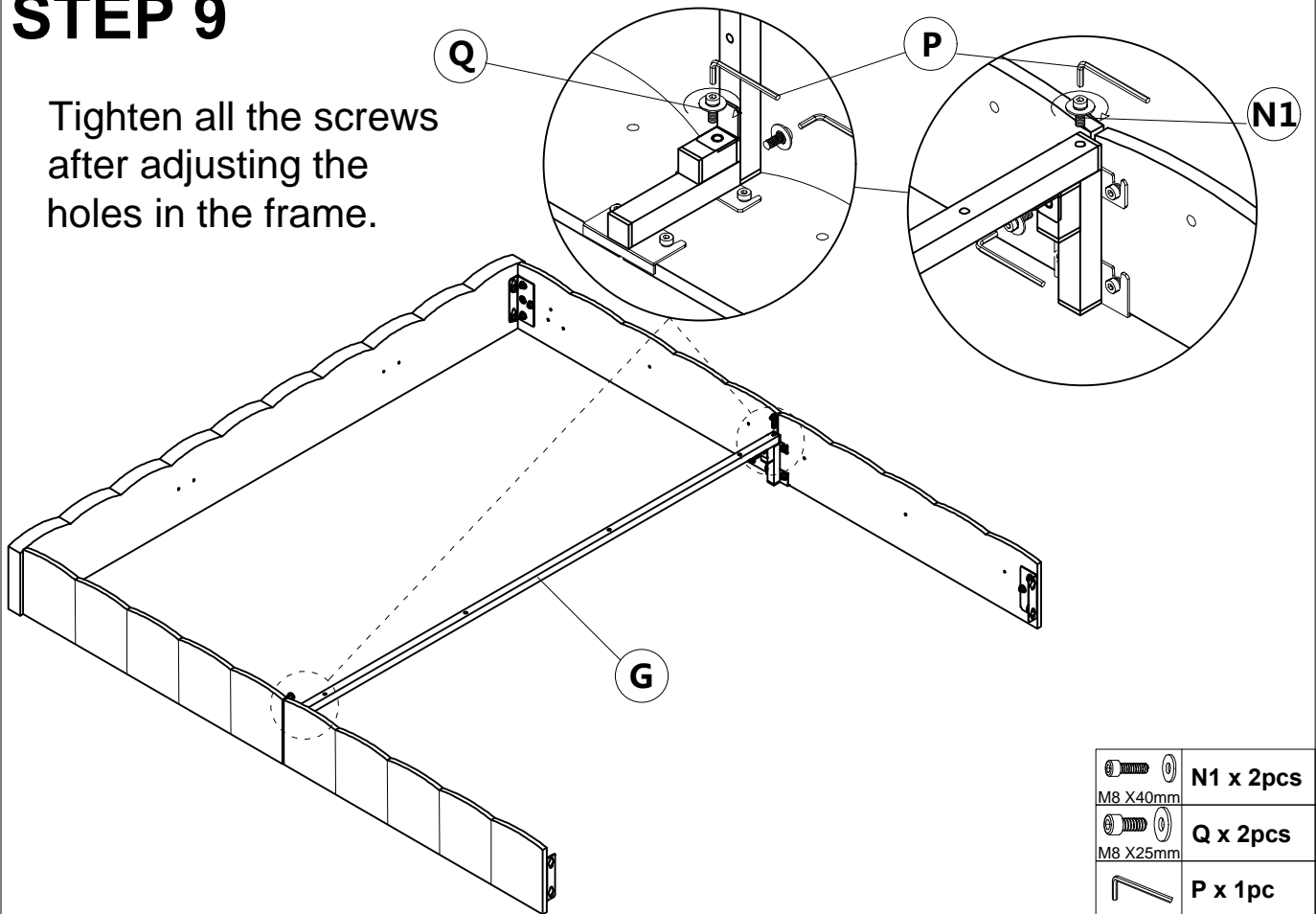
Loosen the screw, hang the corner code, and lock the screw.

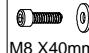




| | |
|---|---------|
|  | P x 1pc |
|---|---------|

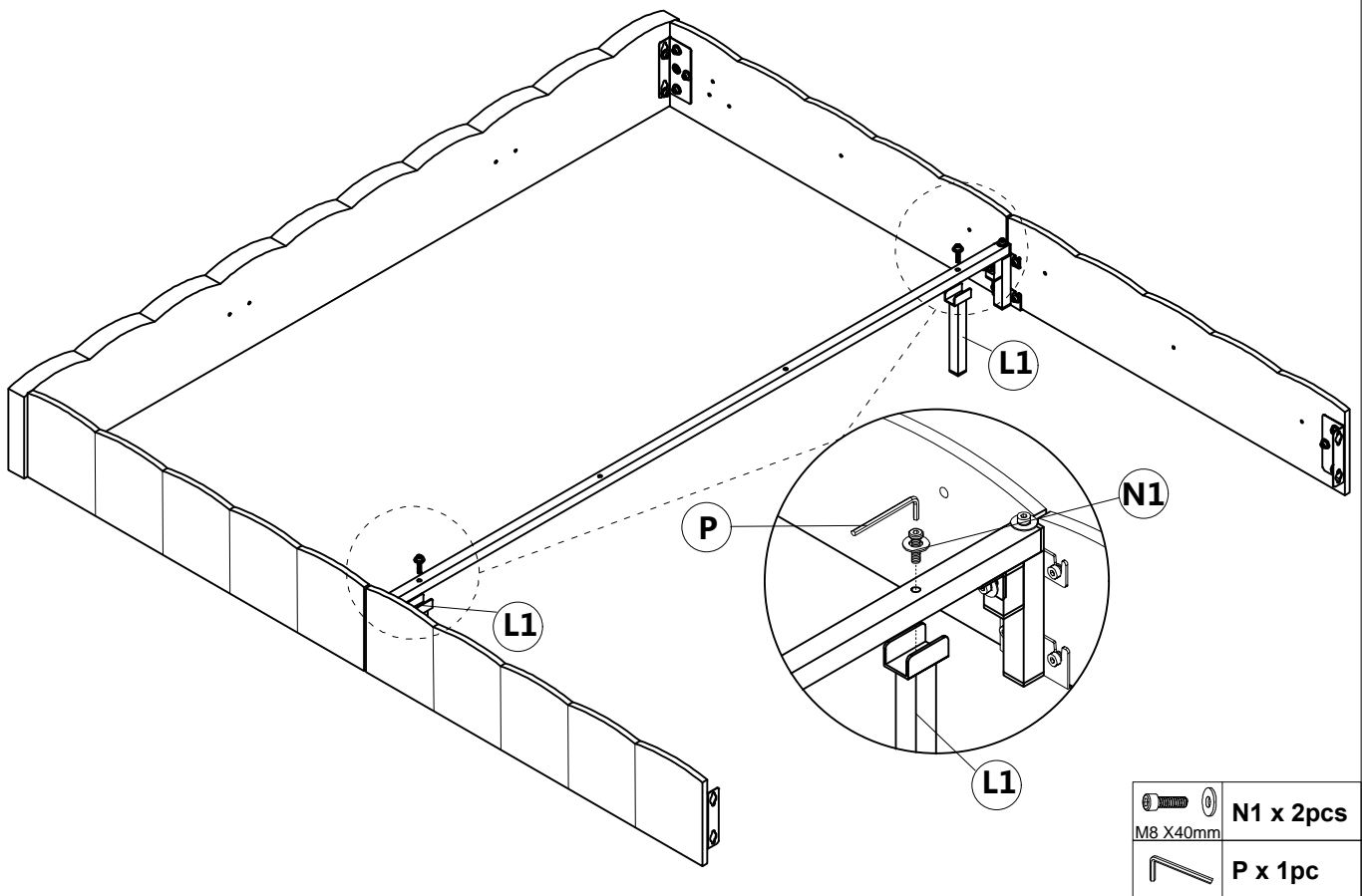
STEP 9

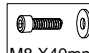

Tighten all the screws after adjusting the holes in the frame.



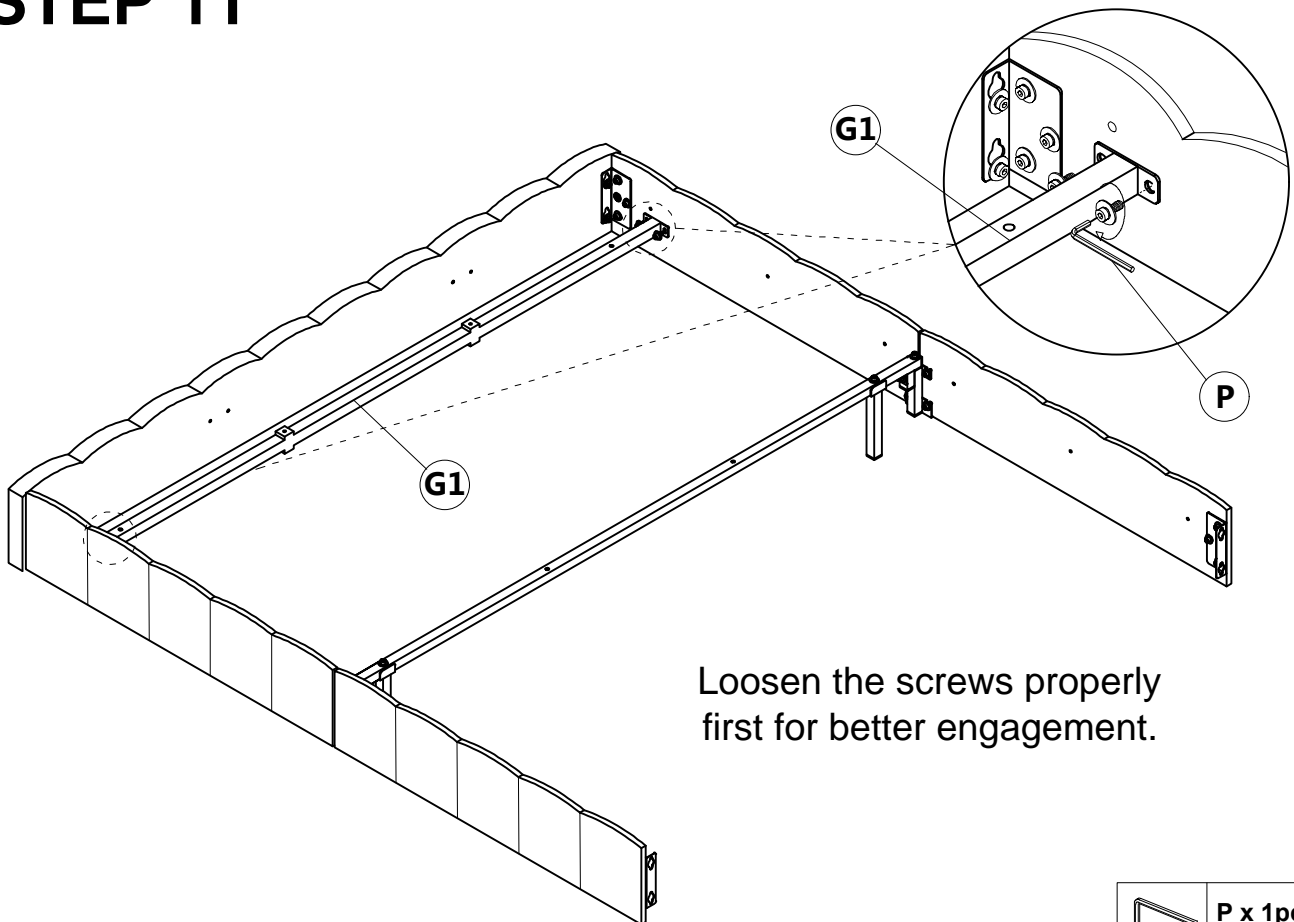
| | |
|---|------------------|
|  | N1 x 2pcs |
| M8 X40mm | |
|  | Q x 2pcs |
| M8 X25mm | |
|  | P x 1pc |

STEP 10




| | |
|---|------------------|
|  | N1 x 2pcs |
| M8 X40mm | |
|  | P x 1pc |

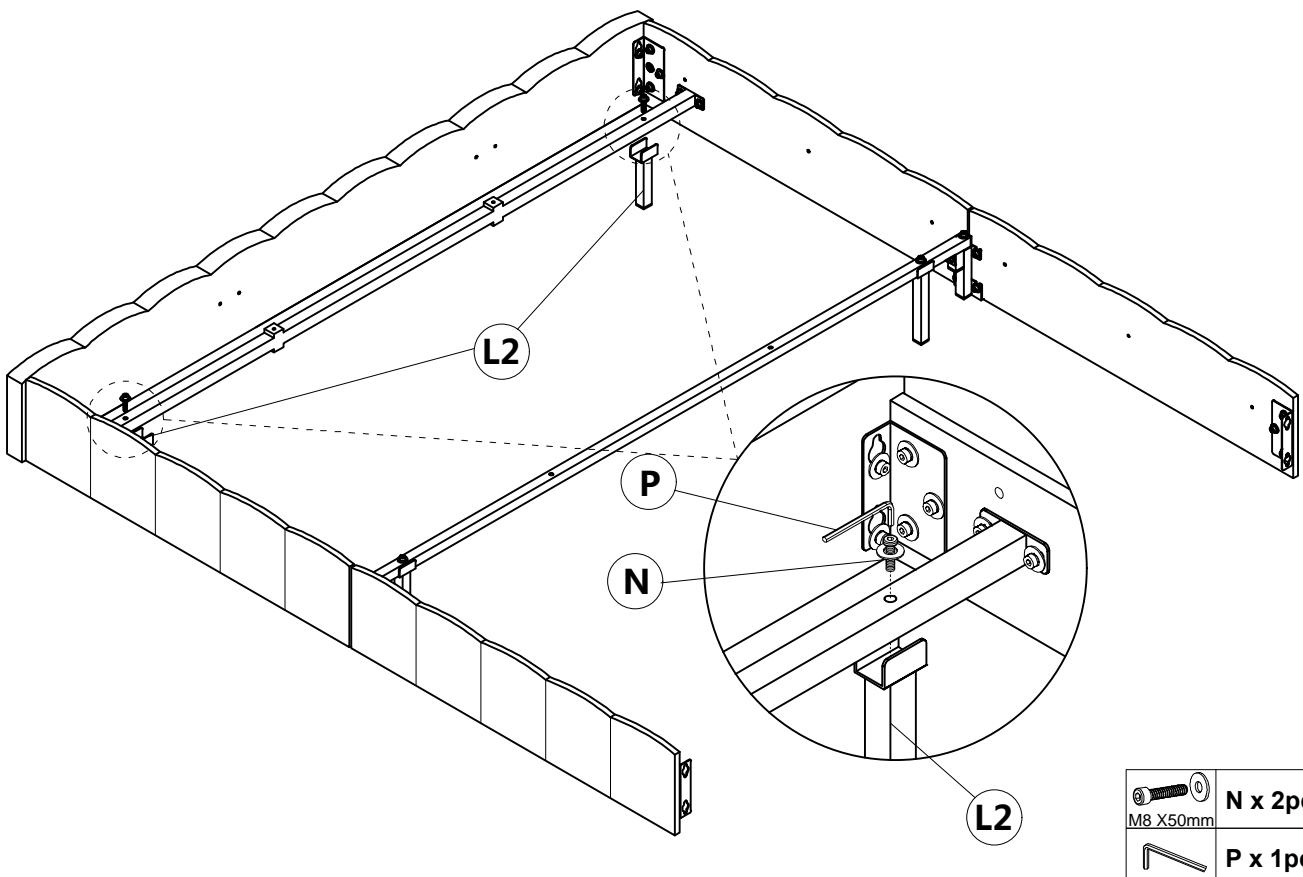
STEP 11





Loosen the screws properly first for better engagement.

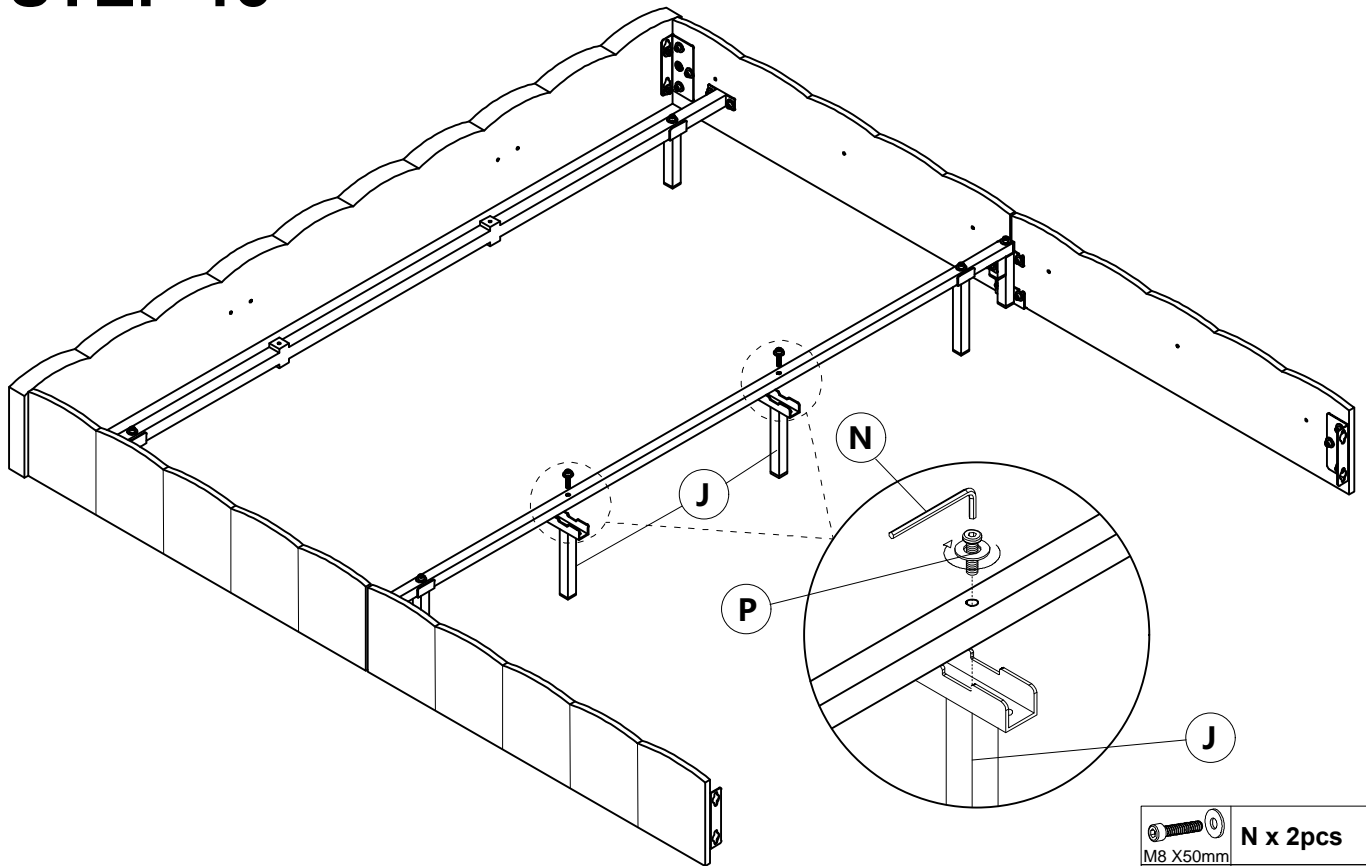
| | |
|---|---------|
|  | P x 1pc |
|---|---------|



STEP 12



| | |
|---|----------|
|  M8 X50mm | N x 2pcs |
|  | P x 1pc |

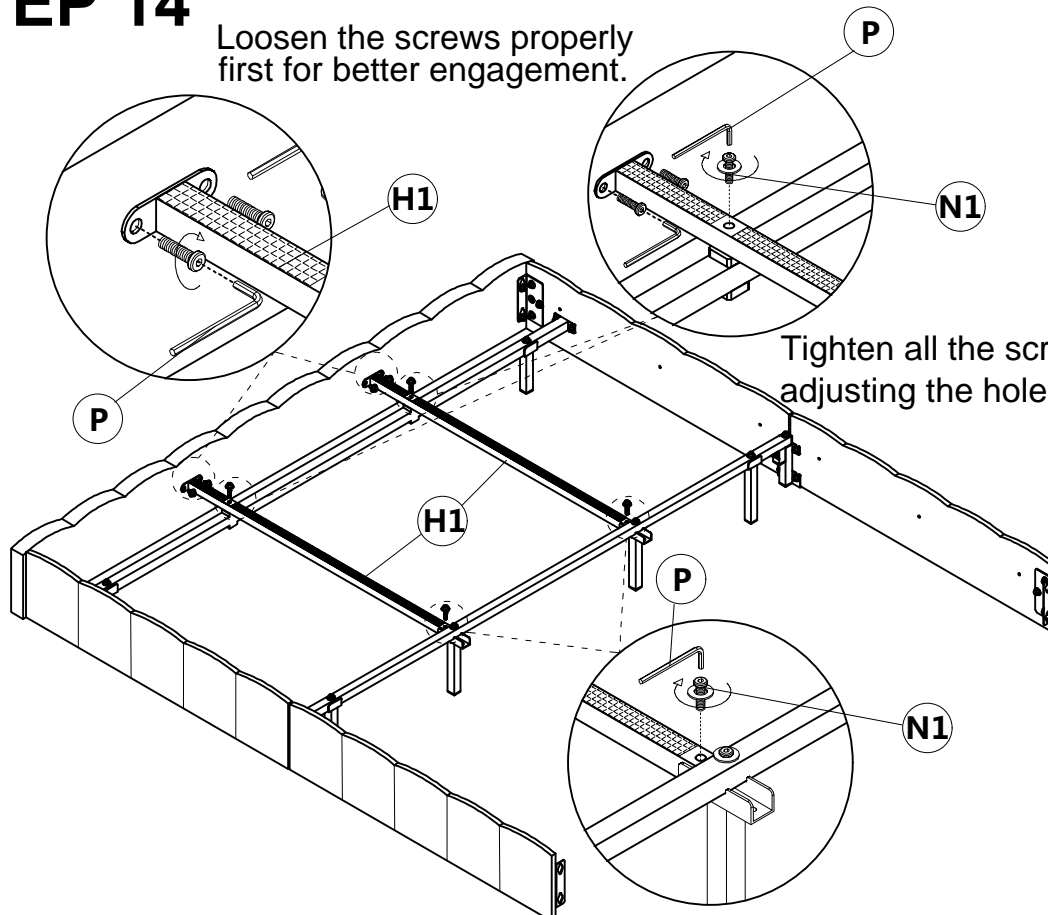
STEP 13



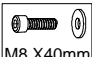

| | |
|--|----------|
|  M8 X50mm | N x 2pcs |
|  | P x 1pc |

STEP 14

Loosen the screws properly first for better engagement.

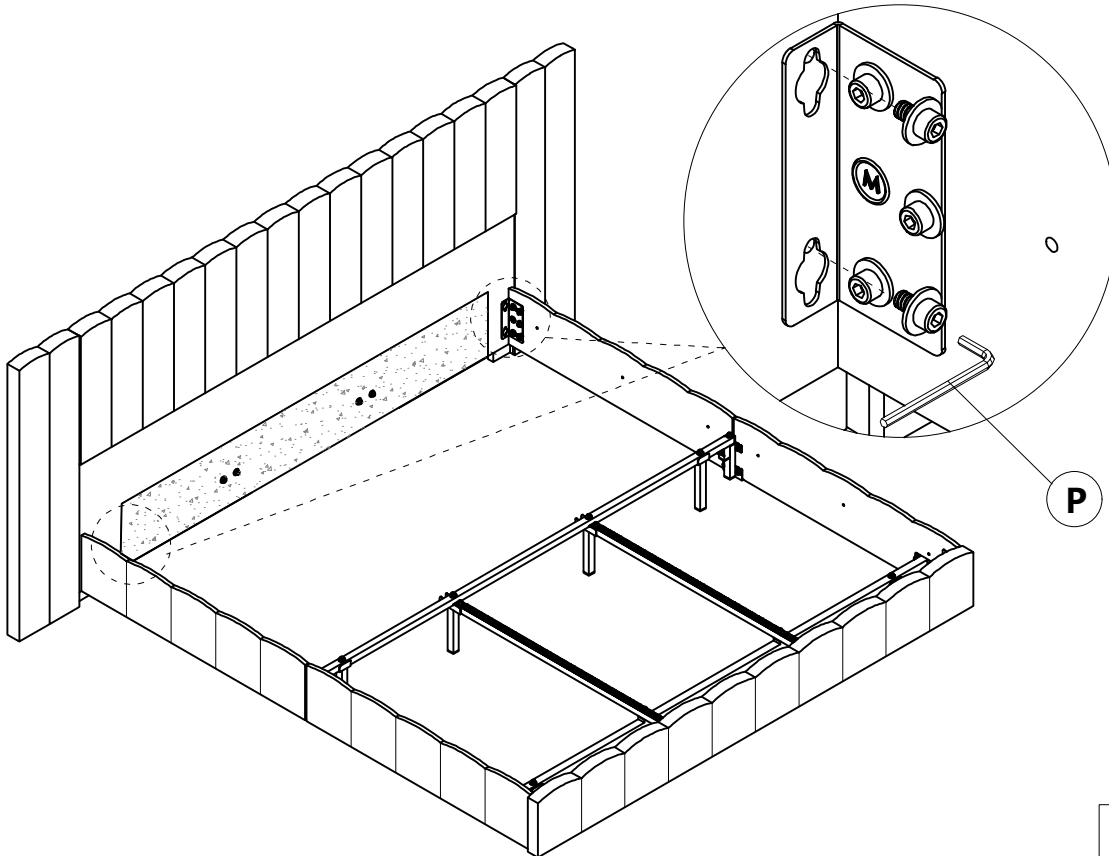



Tighten all the screws after adjusting the holes in the frame.

| | |
|--|-----------|
|  M8 X40mm | N1 x 4pcs |
|  | P x 1pc |

STEP 15

Loosen the screw, hang the corner code, and lock the screw.

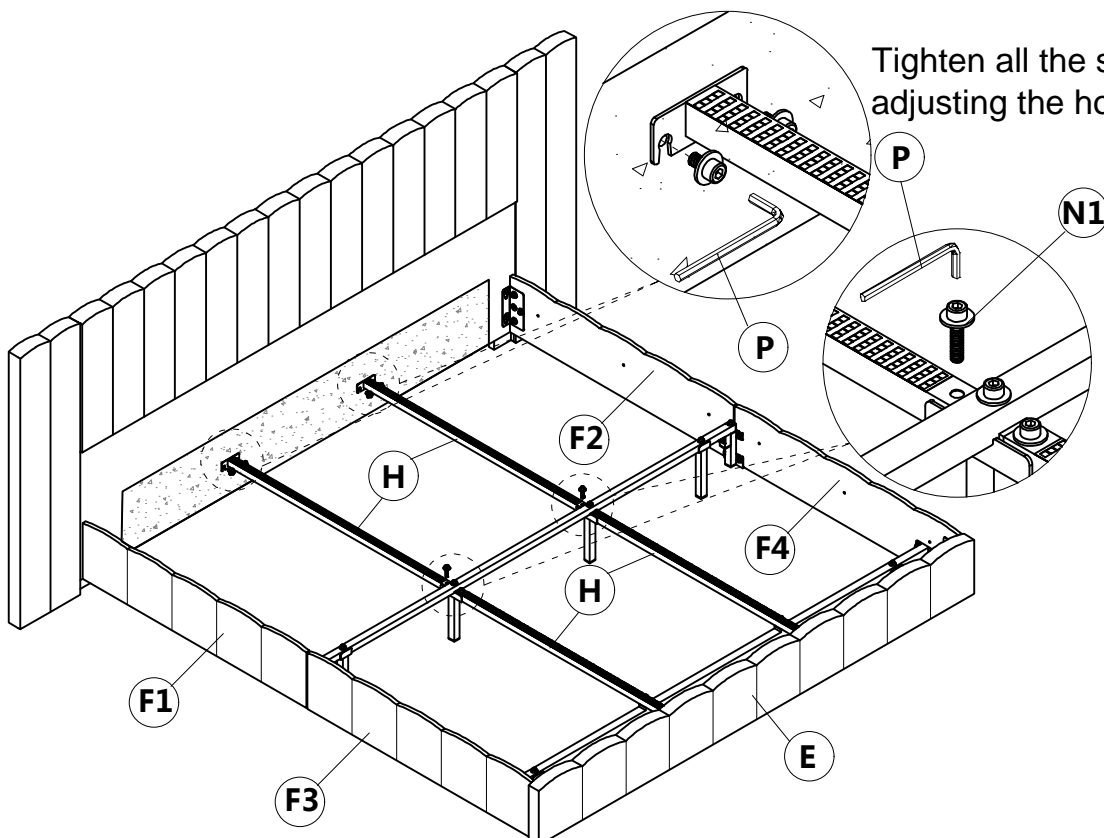



 P x 1pc


STEP 16

Loosen the screws properly first for better engagement.

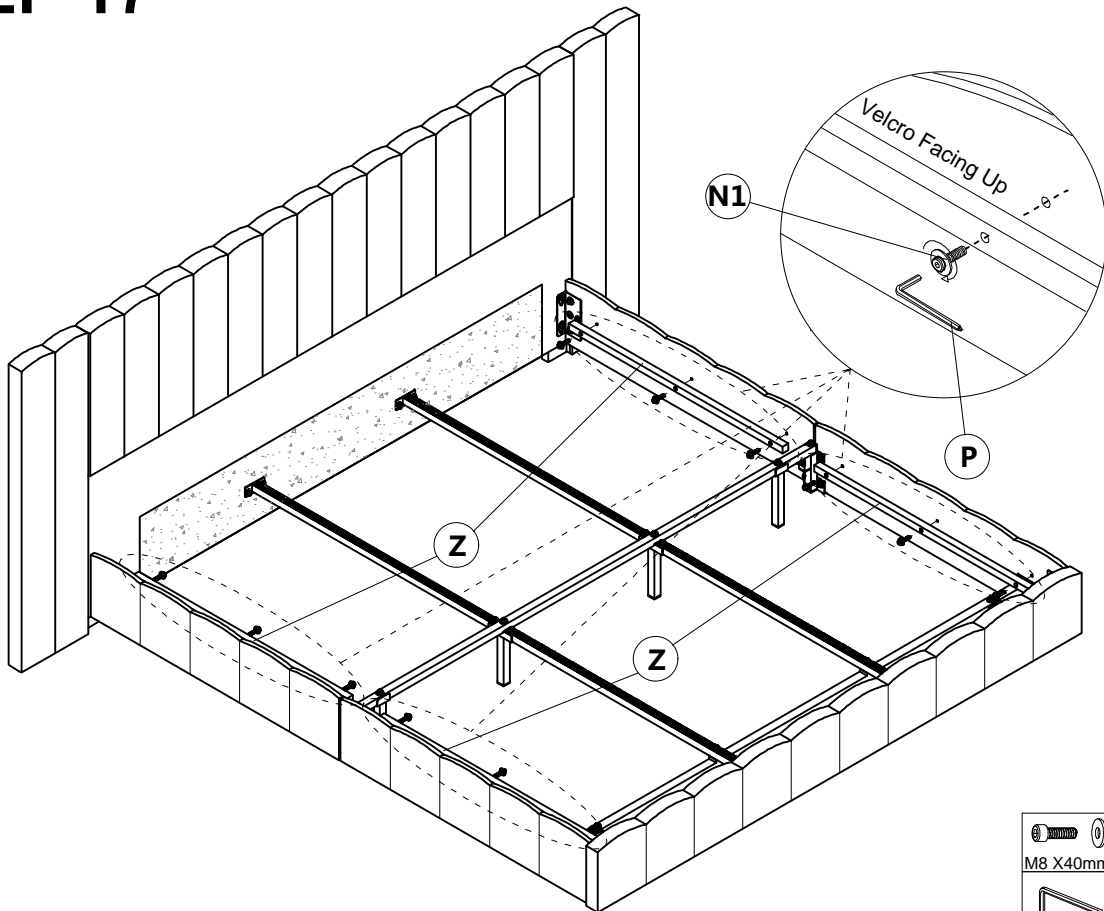
Tighten all the screws after adjusting the holes in the frame.



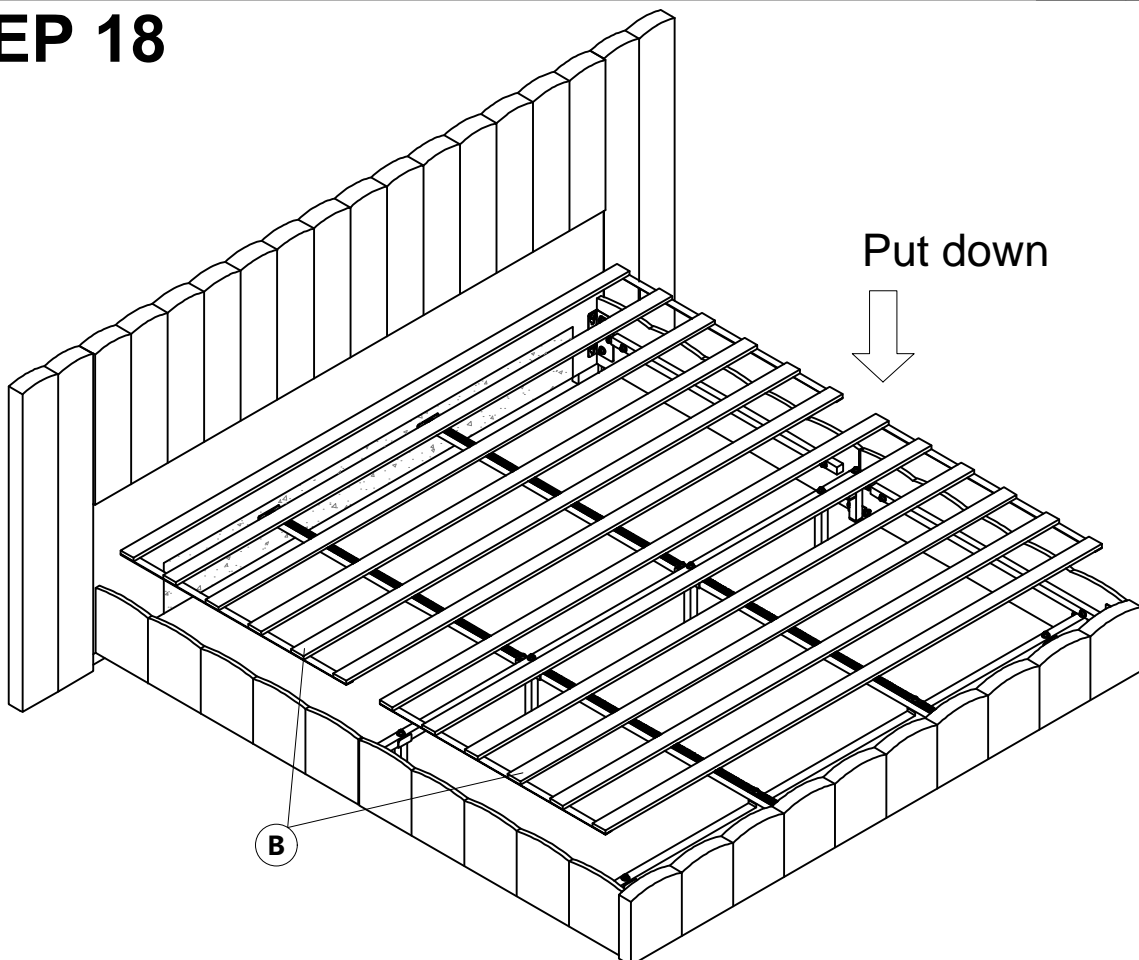
 N1 x 2pcs
M8 X40mm

 P x 1pc

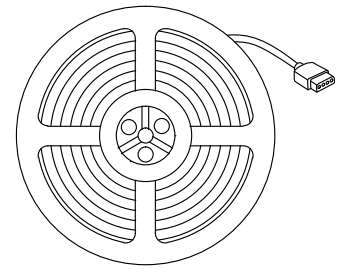
STEP 17



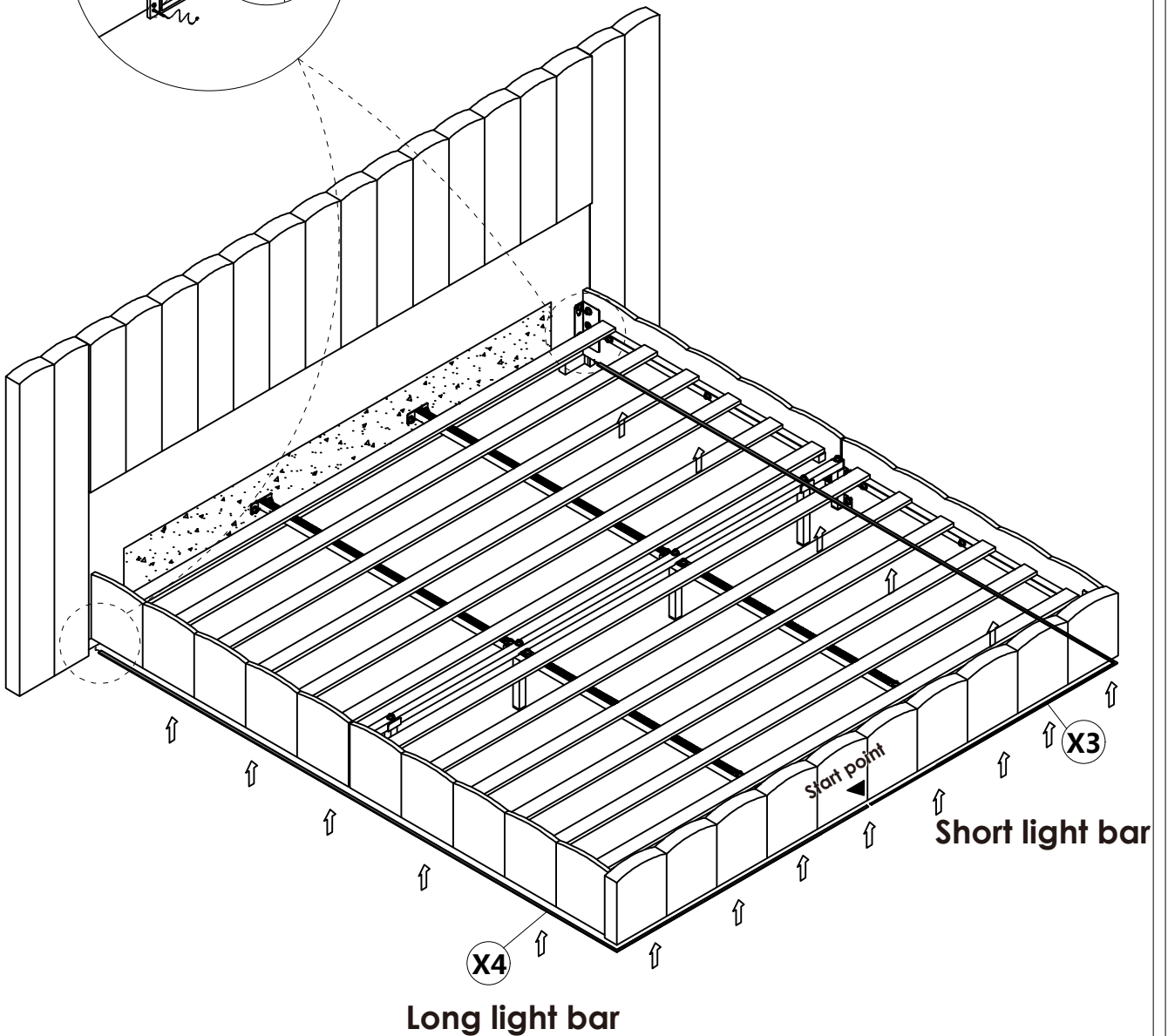
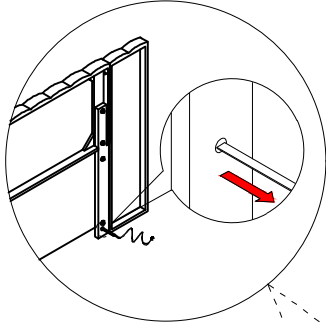
STEP 18



STEP 19

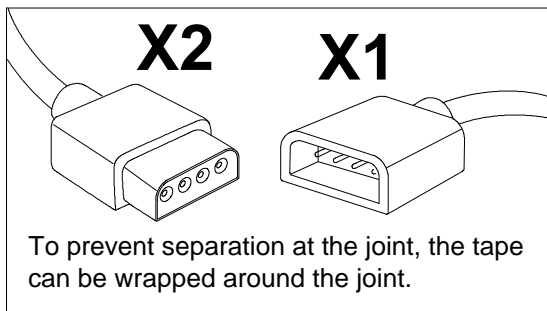


Light Strip

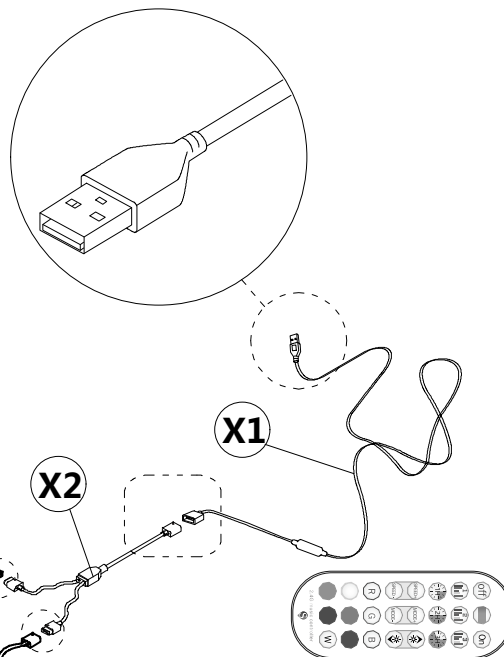


Put the light strip through the bottom hole of the headboard side leg, and stick it on the side of the bed.

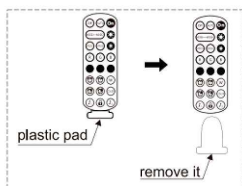
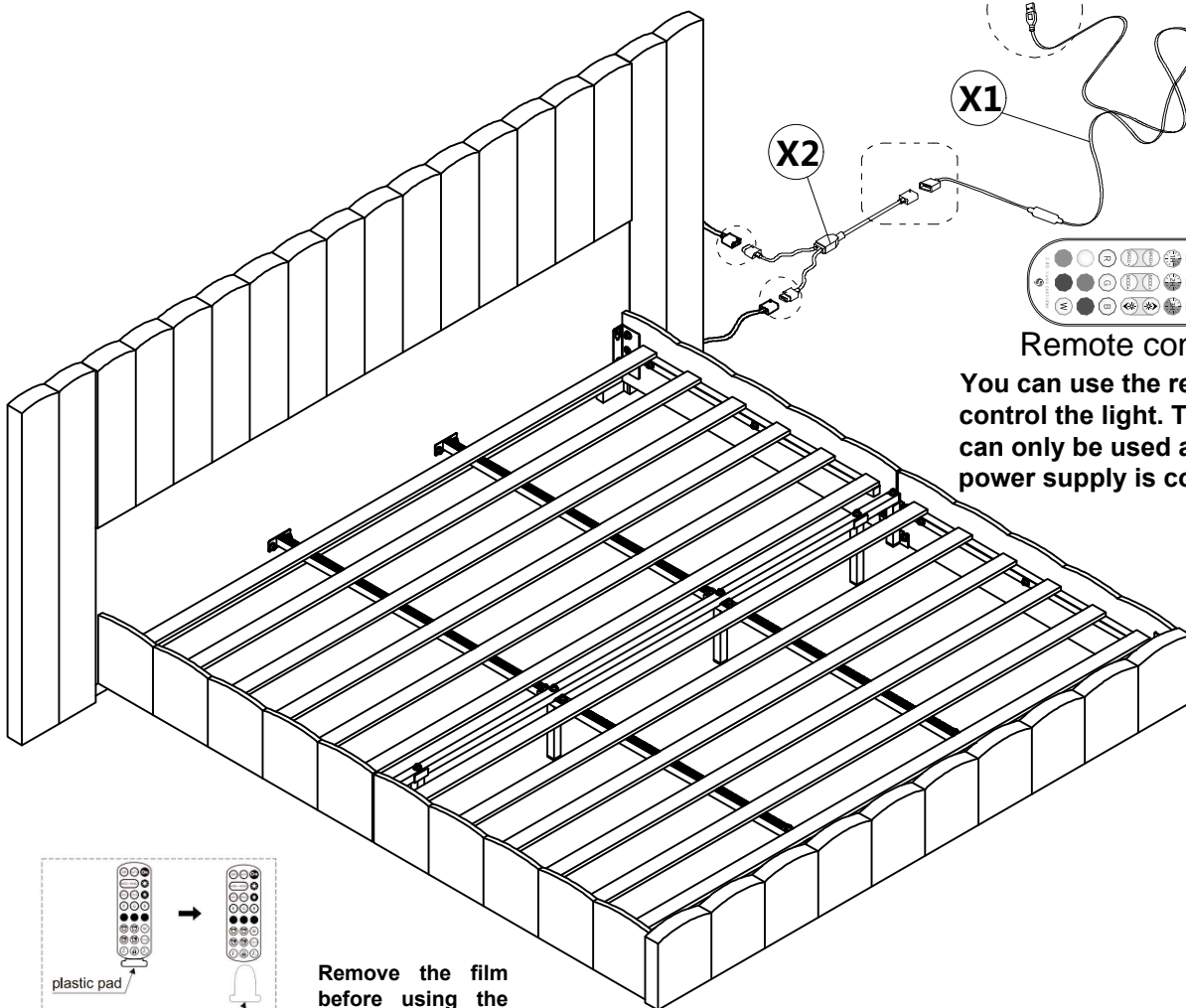
STEP 20



NOTE: The black part of the receiver (X1) needs to be exposed to air in order to better control the LED light.



You can use the remote to control the light. The LED lamp can only be used after the power supply is connected.



Remove the film before using the remote control

Please scan the QR code on the manual/controller and install the application.

Step1: Please make sure your phone has bluetooth enabled.

Step2: The LED light will automatically connect to the APP.



X1 x 1PC