



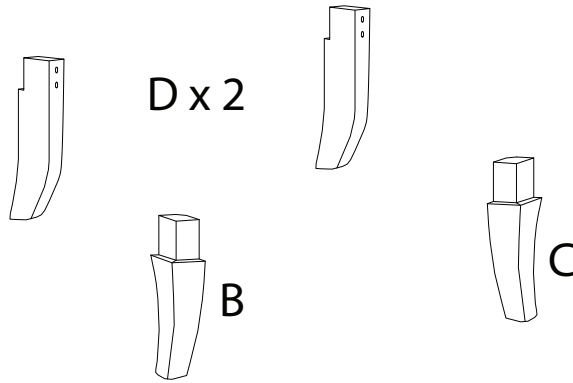
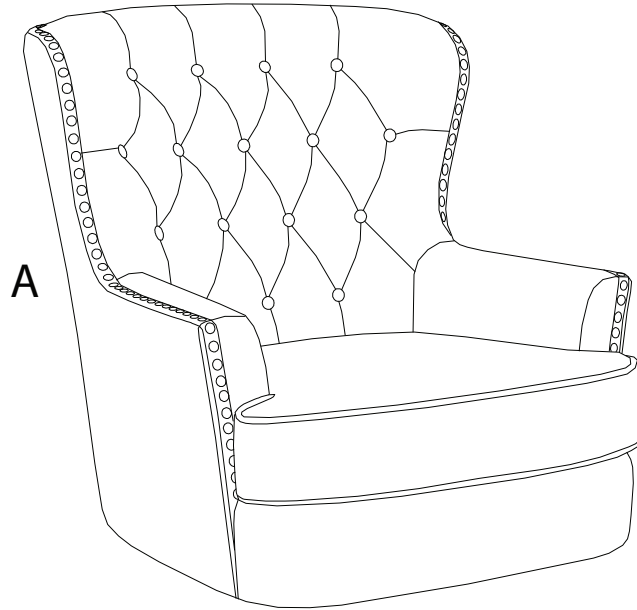
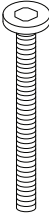
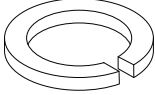
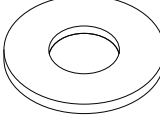

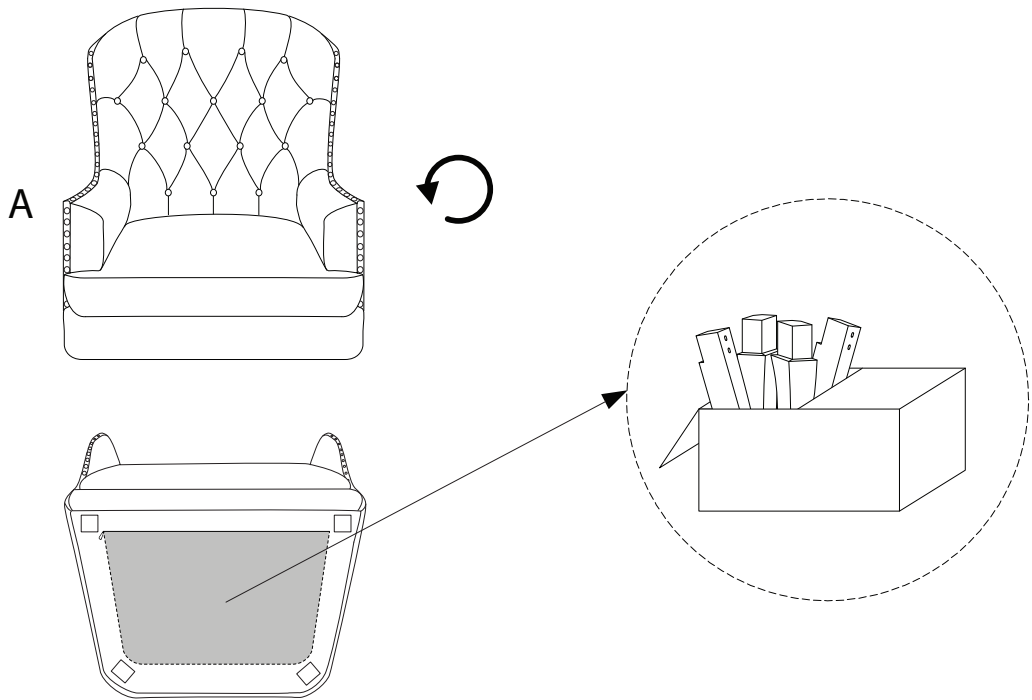


A	B	C	D
			
x 1	x 1	x 1	x 2

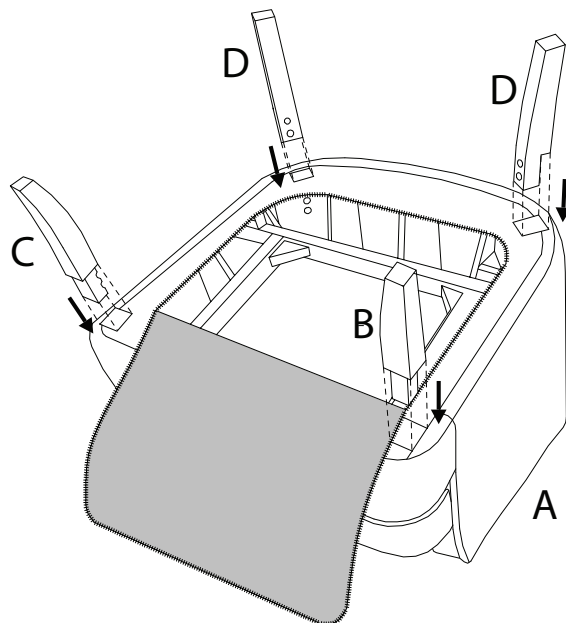
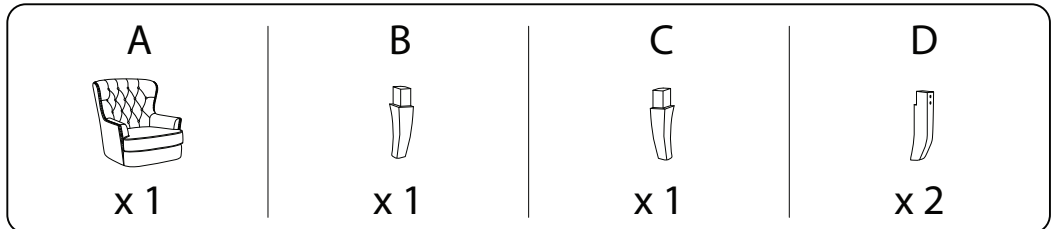


E	F	G	H
 M8 x 65			
x 8	x 8	x 8	x 1

!



1



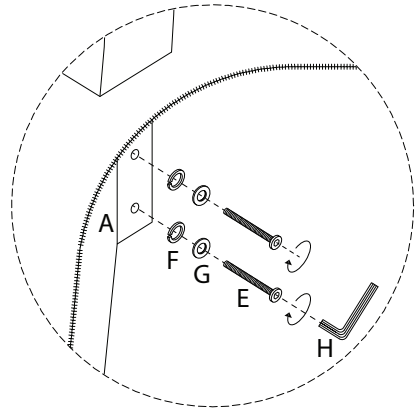
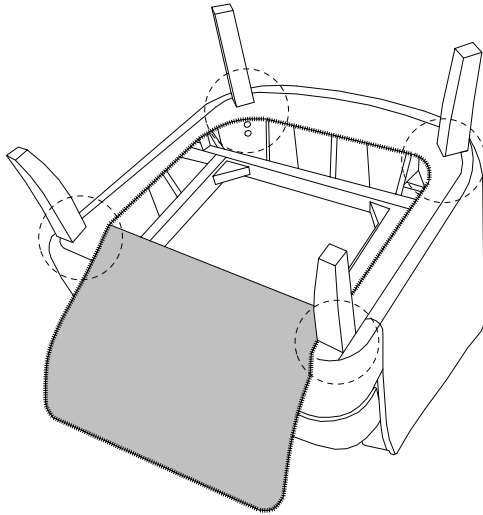
2

E
M8
x
65
x 8

F
x 8

G
x 8

H
x 1



3

