

Product Name:	Natural Finish Wood Coffee Table with Sliding Door and Storage
SKU #:	WHIF1978



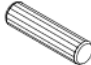


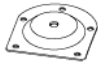


Thank you for purchasing this LuxenHöme product. This product has been manufactured with the highest standards of safety and quality.

PLEASE READ ALL INSTRUCTIONS BEFORE ASSEMBLY.

Unpack all parts from the packaging inside the carton to ensure there are no missing or damaged parts. Do not attempt to assemble or use the product if any parts are missing or damaged.

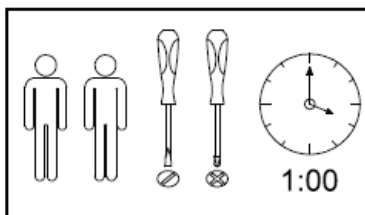
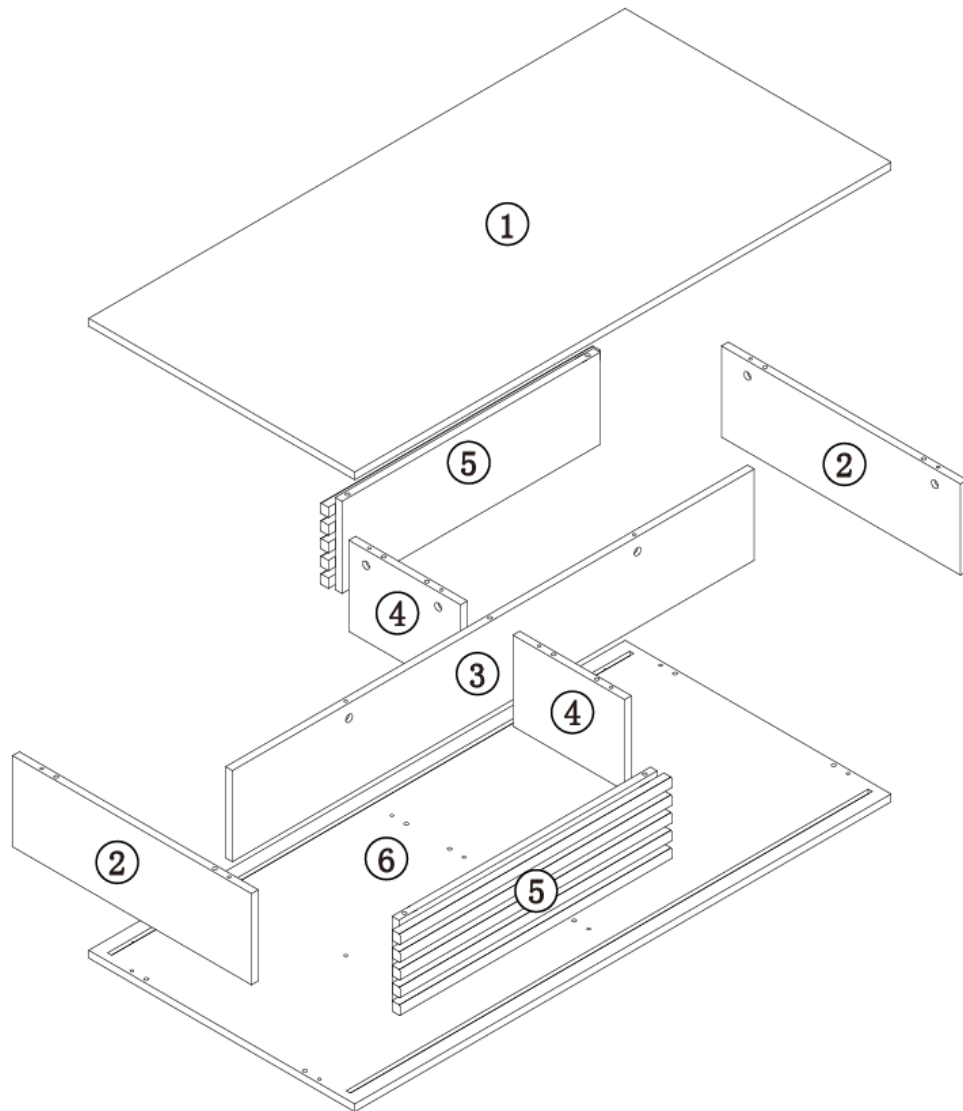
CARTON CONTENTS:

Hardware –

Ⓐ × 10 + 2	Ⓑ × 10 + 2	Ⓒ × 18 + 2	Ⓓ × 8 + 1	Ⓔ × 10 + 2
 M7×39		 M8×30		 M5×40
Ⓕ × 4	Ⓖ × 20 + 2	Ⓗ × 4		
	 M4×14			

Product Name:	Natural Finish Wood Coffee Table with Sliding Door and Storage
SKU #:	WHIF1978

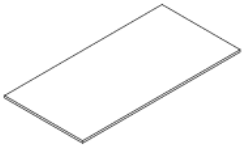
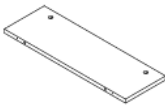
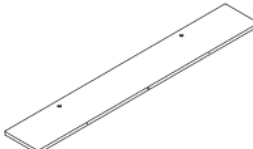
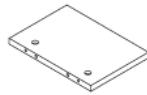
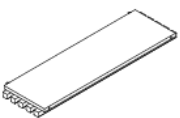
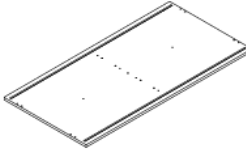
Panels –



Tools required for assembly: Philips screwdriver and flathead screwdriver (if using power tools, use with care).

Product Name:	Natural Finish Wood Coffee Table with Sliding Door and Storage
SKU #:	WHIF1978

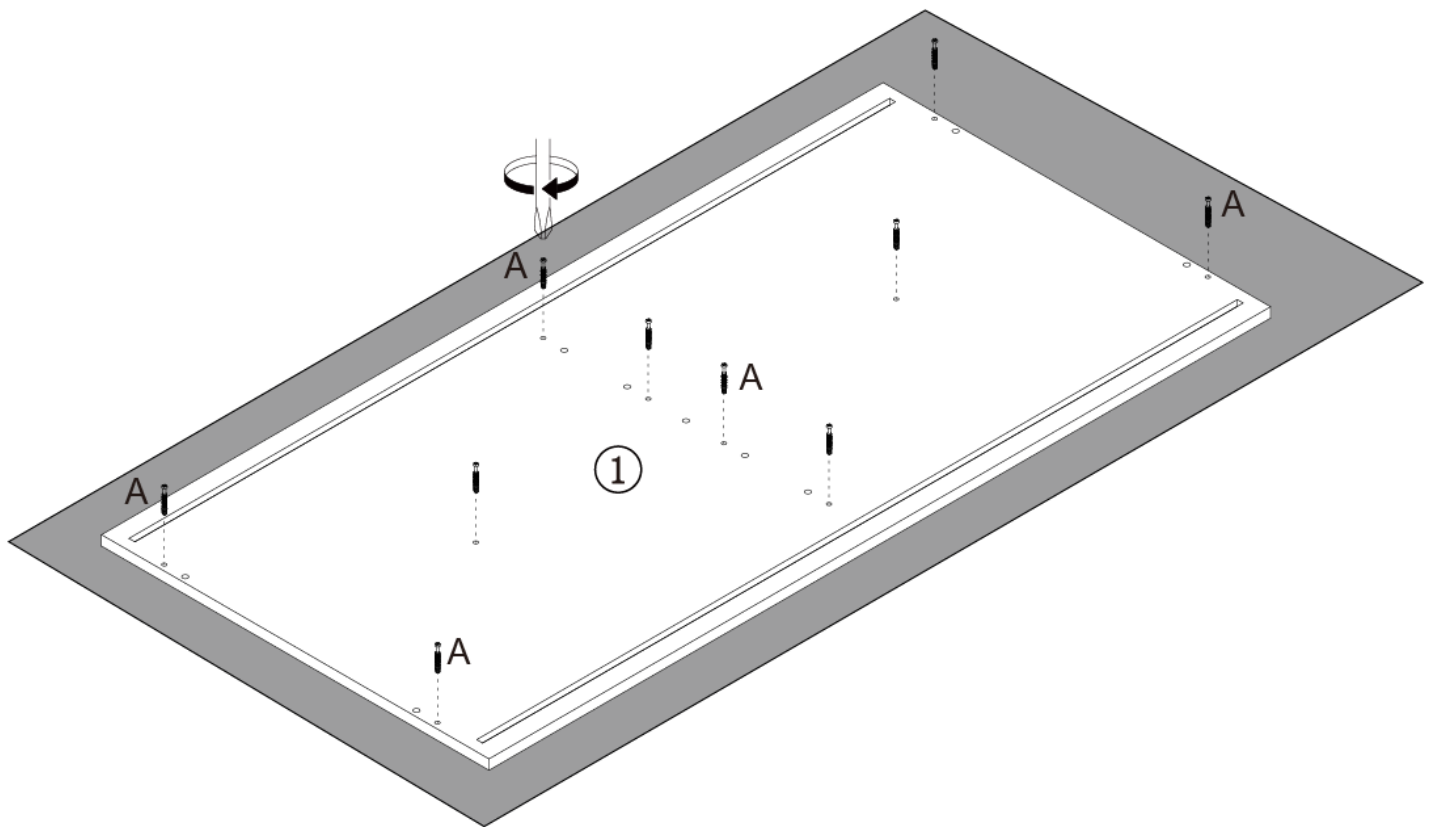
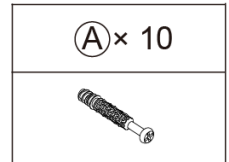
Panels -

① × 1	② × 2	③ × 1	④ × 2	⑤ × 2
				
⑥ × 1				
				

Product Name:	Natural Finish Wood Coffee Table with Sliding Door and Storage
SKU #:	WHIF1978

ASSEMBLY INSTRUCTIONS:

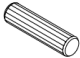

Step 1: Install and tighten hardware A until the shoulder is flush with panels 1.

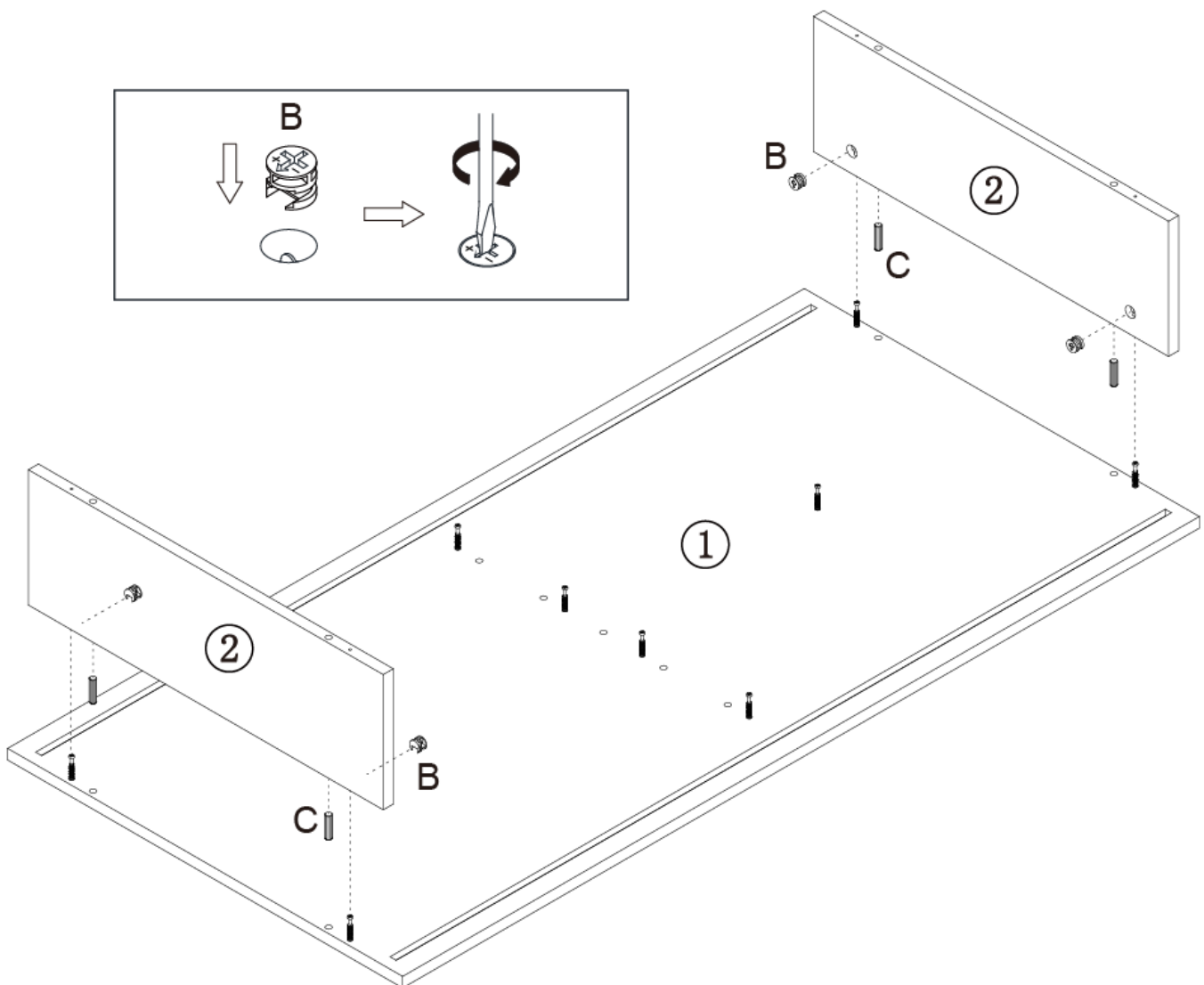


Warning: To avoid scratch, make sure to put the panel on clean and soft surface.

Product Name:	Natural Finish Wood Coffee Table with Sliding Door and Storage
SKU #:	WHIF1978



Step 2: Connect panel 2 to panels 1 using hardware C and B.

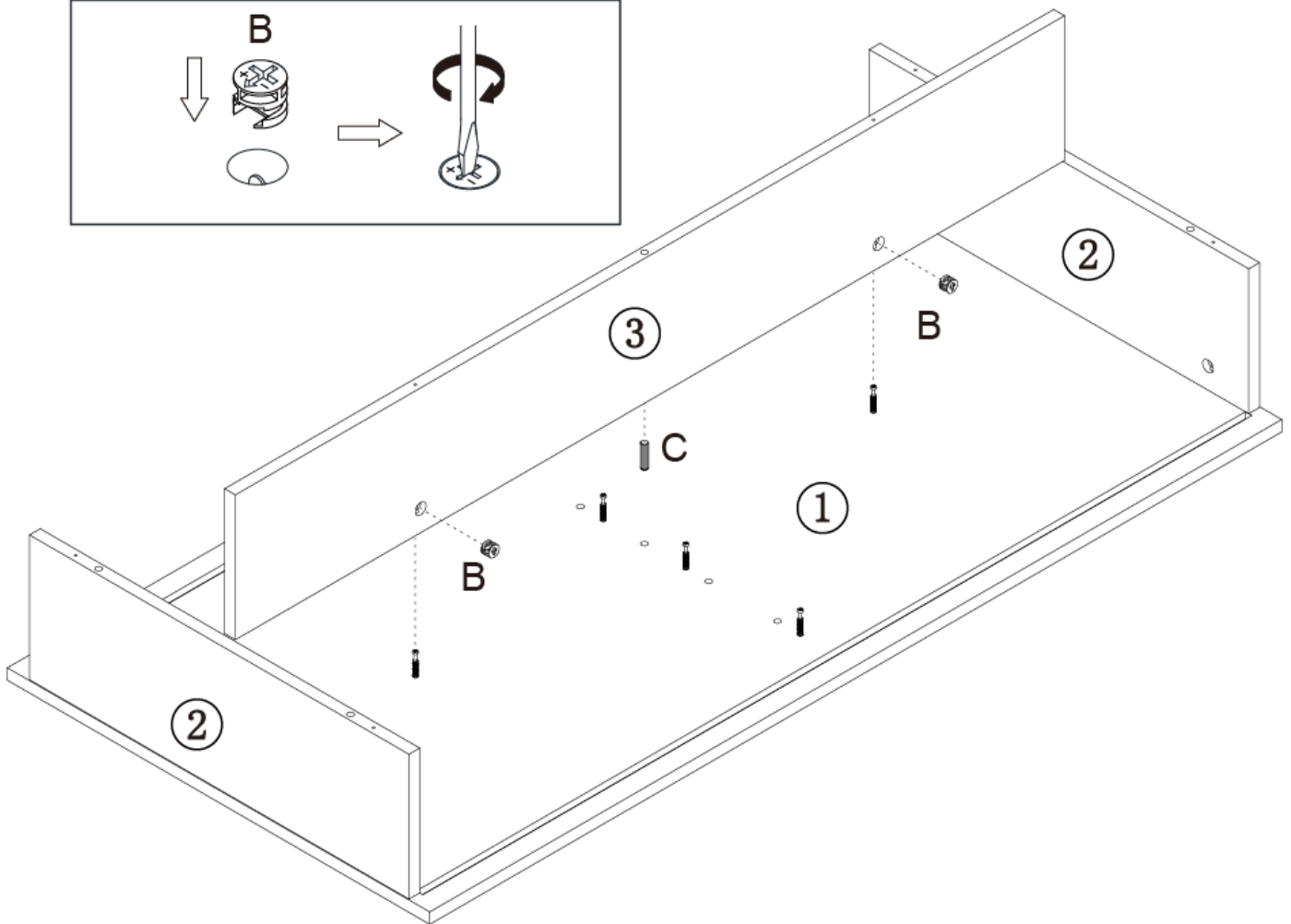
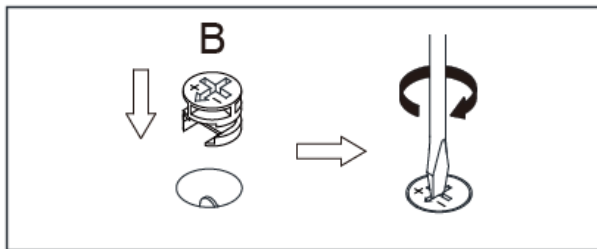
ⓐ × 4	ⓑ × 4
	



Product Name:	Natural Finish Wood Coffee Table with Sliding Door and Storage
SKU #:	WHIF1978



Step 3: Connect panel 3 to the assembled section (panels 1, 2) using hardware B and C.

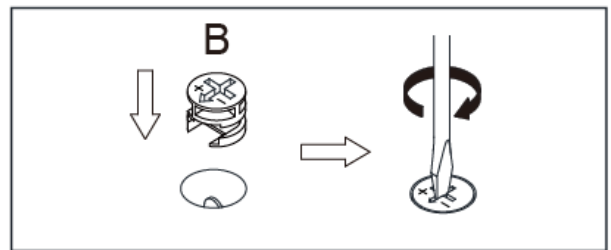
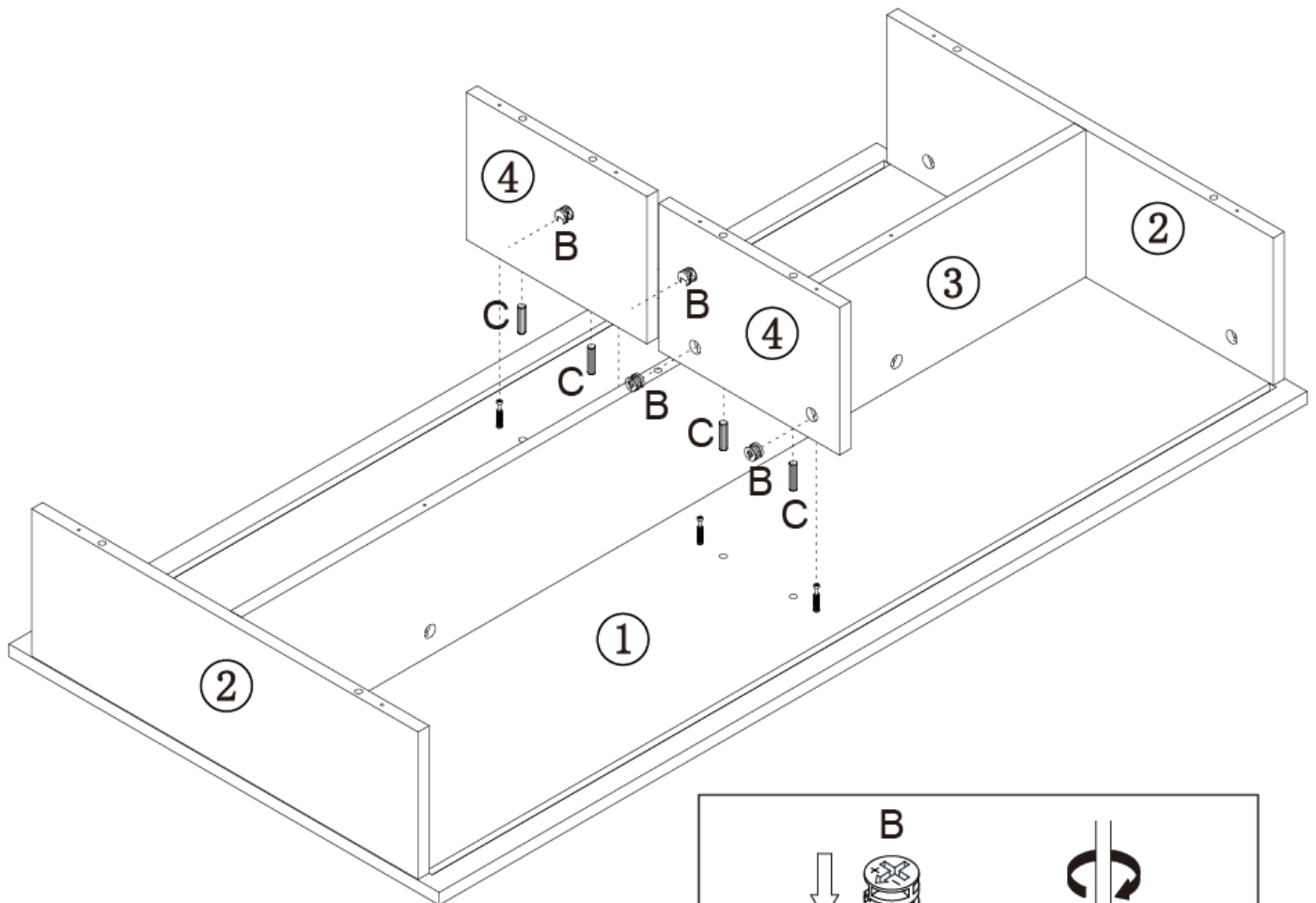
Ⓑ × 2	Ⓒ × 1
	



Product Name:	Natural Finish Wood Coffee Table with Sliding Door and Storage
SKU #:	WHIF1978

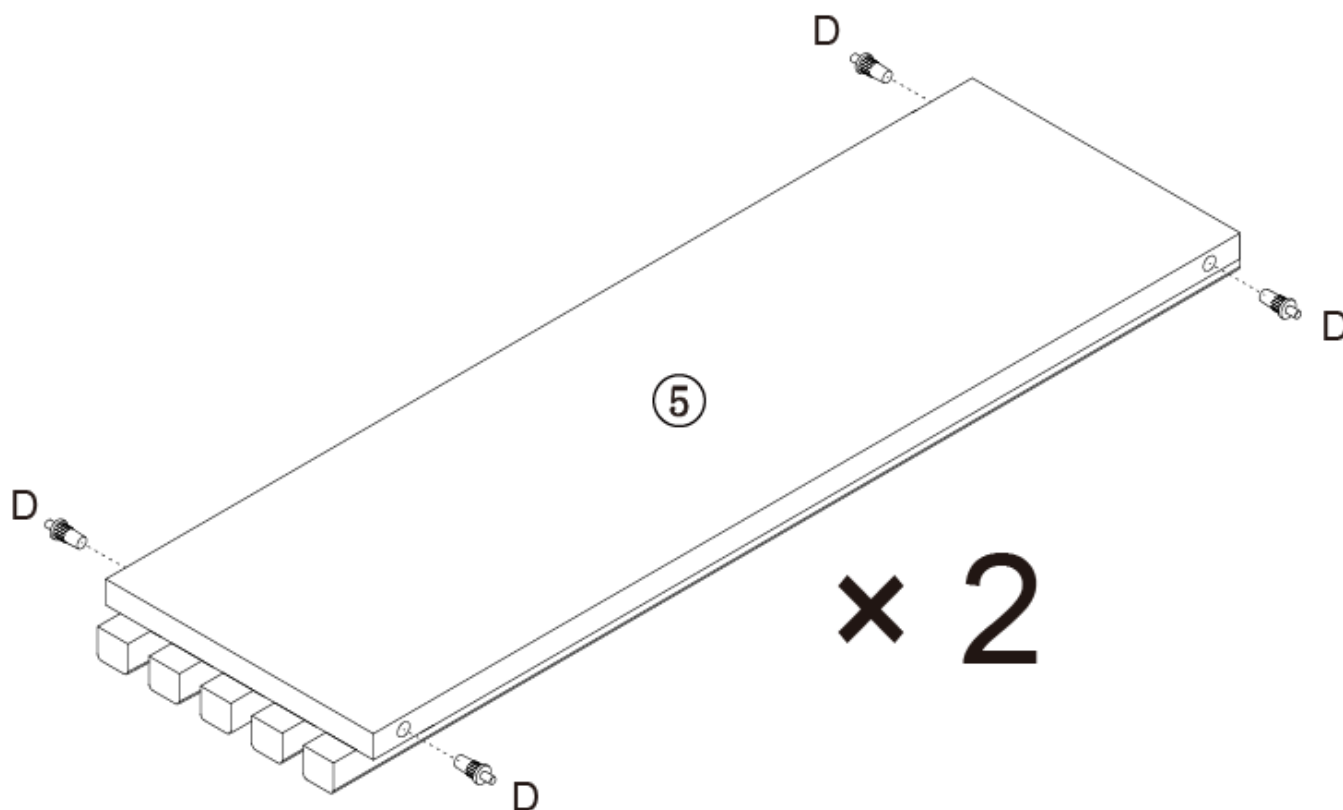
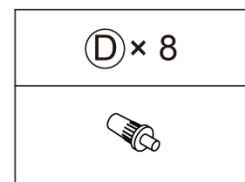
Step 4: Connect panel 4 to the assembled section (panels 1, 2, and 3) using hardware B and C.

Ⓑ × 4	Ⓒ × 4
	



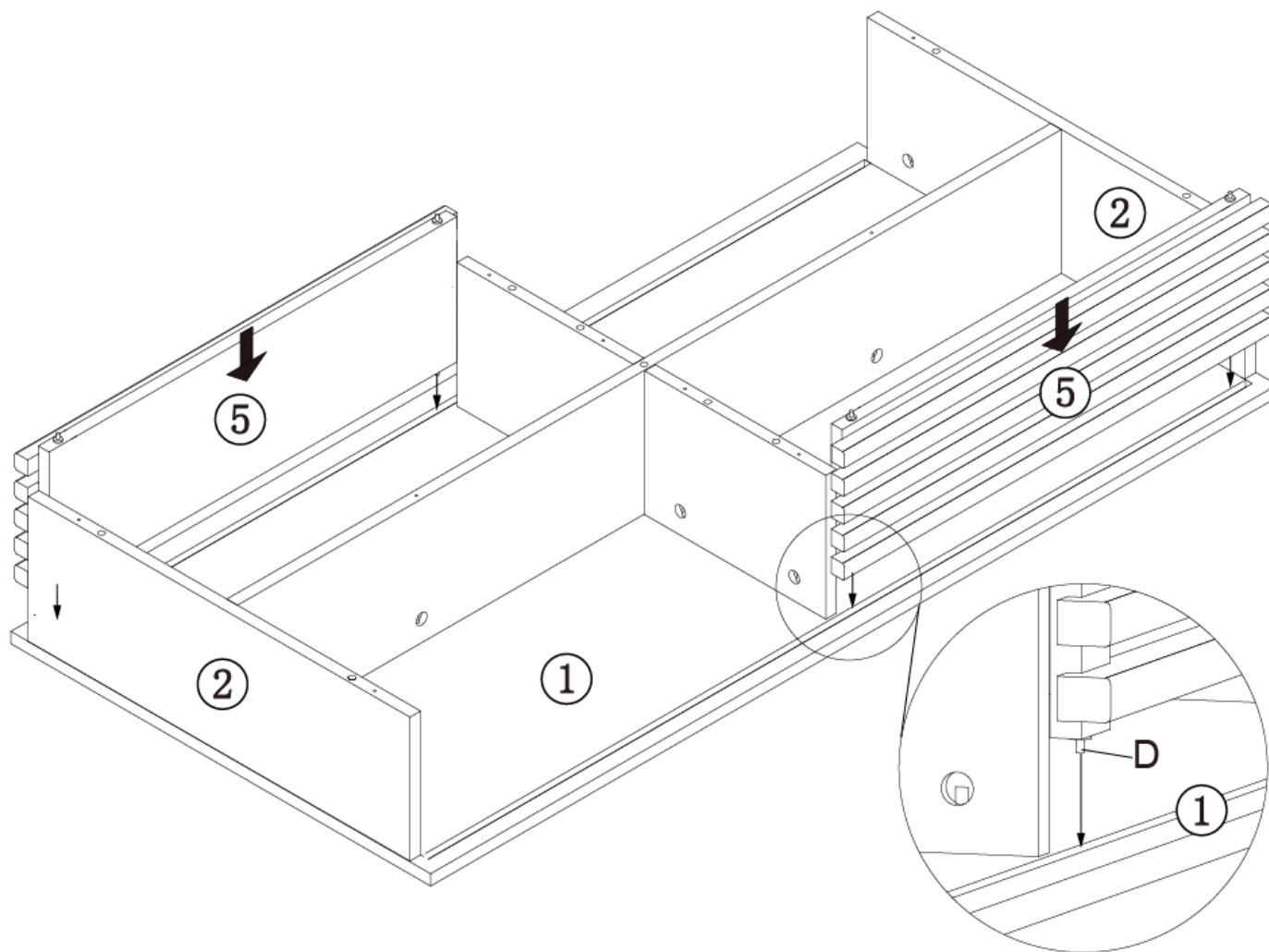
Product Name:	Natural Finish Wood Coffee Table with Sliding Door and Storage
SKU #:	WHIF1978

Step 5: Install hardware D into panel 5





Product Name:	Natural Finish Wood Coffee Table with Sliding Door and Storage
SKU #:	WHIF1978

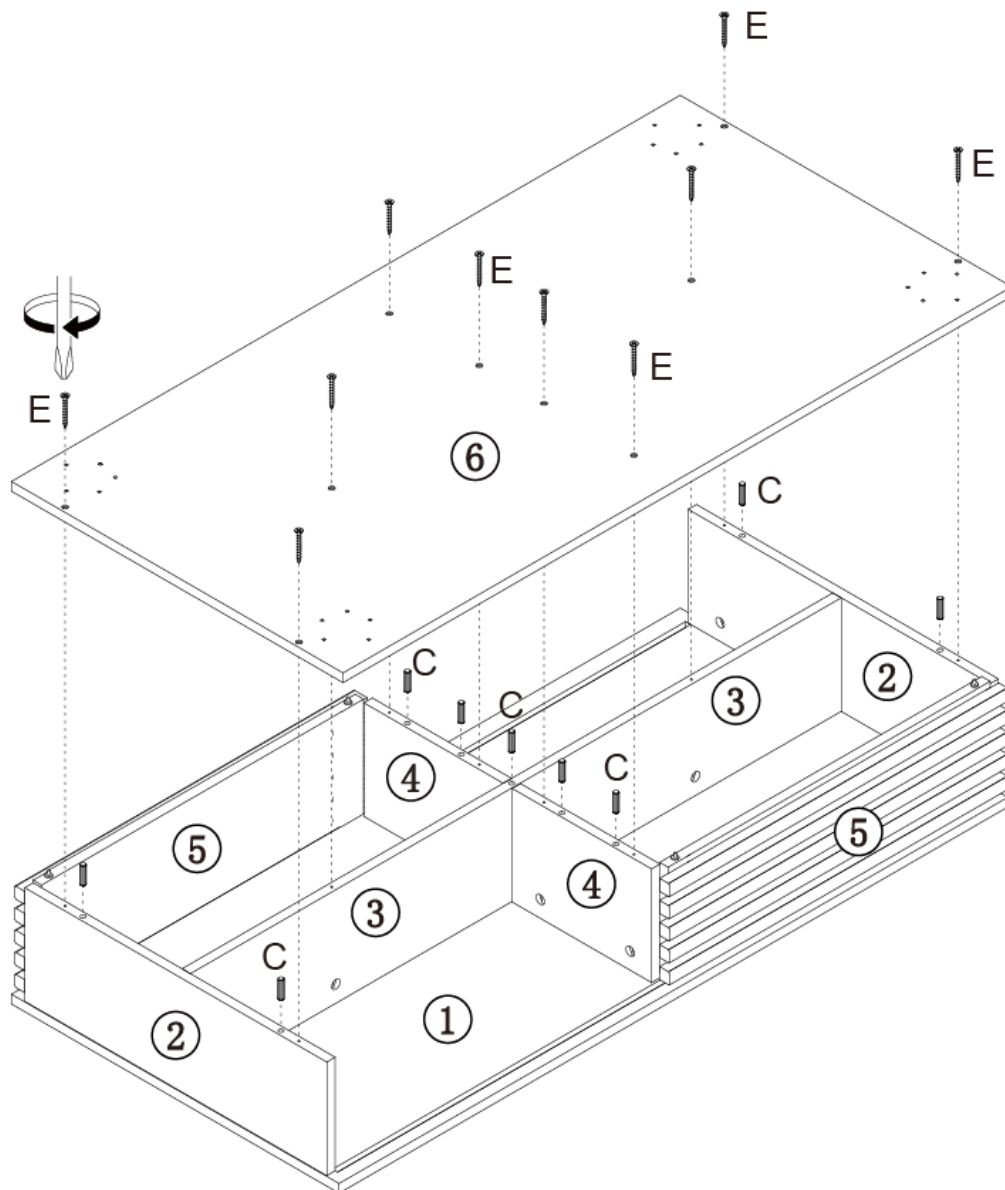
Step 6: Put hardware D on panel 5 into the grooves on panel 1.



Product Name:	Natural Finish Wood Coffee Table with Sliding Door and Storage
SKU #:	WHIF1978



Step 7: Connect panel 6 to the assembled section (panels 1, 2, 3, 4 and 5) using hardware E and C.

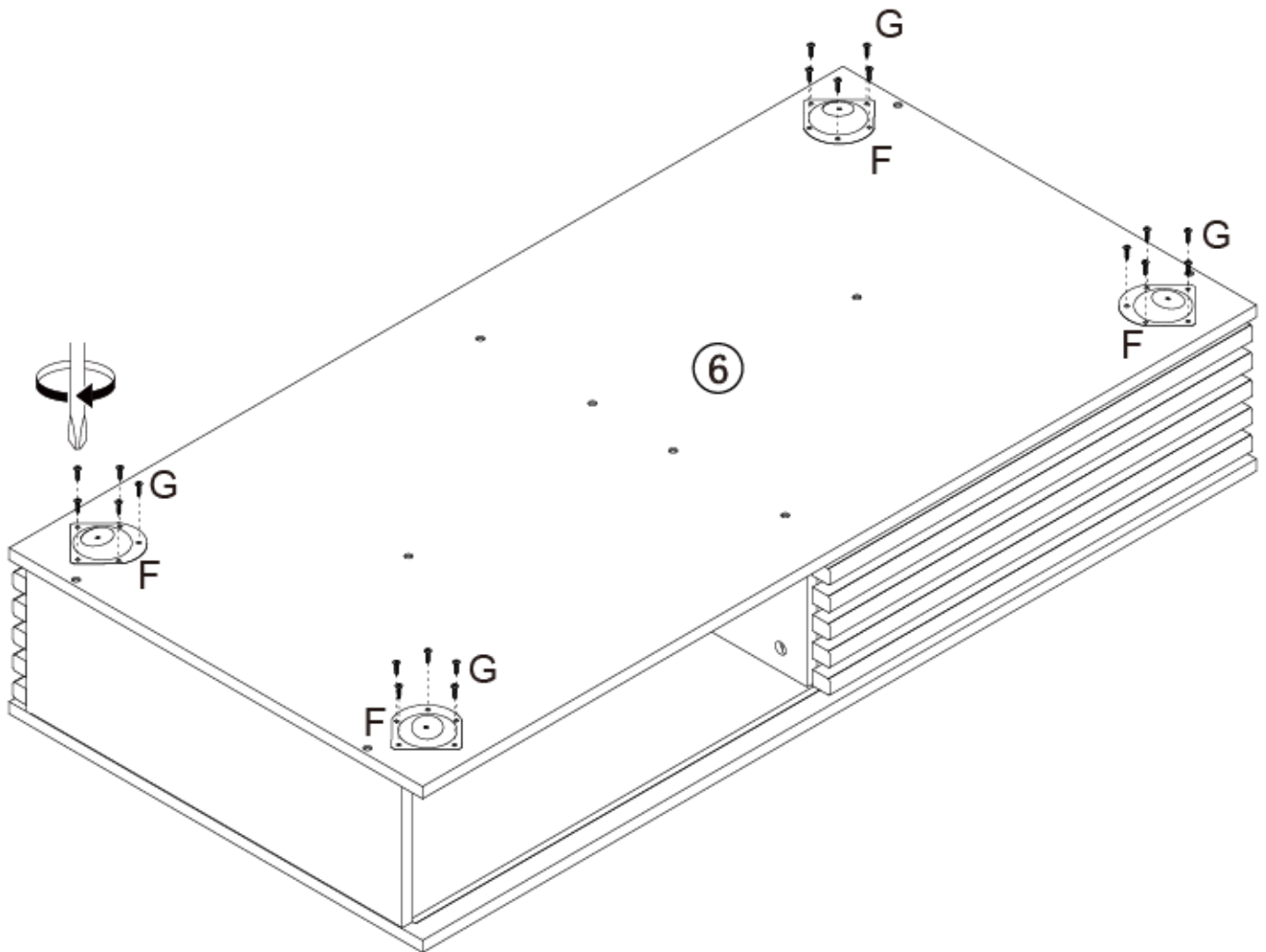
ⓐ × 9	ⓔ × 10
	



Product Name:	Natural Finish Wood Coffee Table with Sliding Door and Storage
SKU #:	WHIF1978

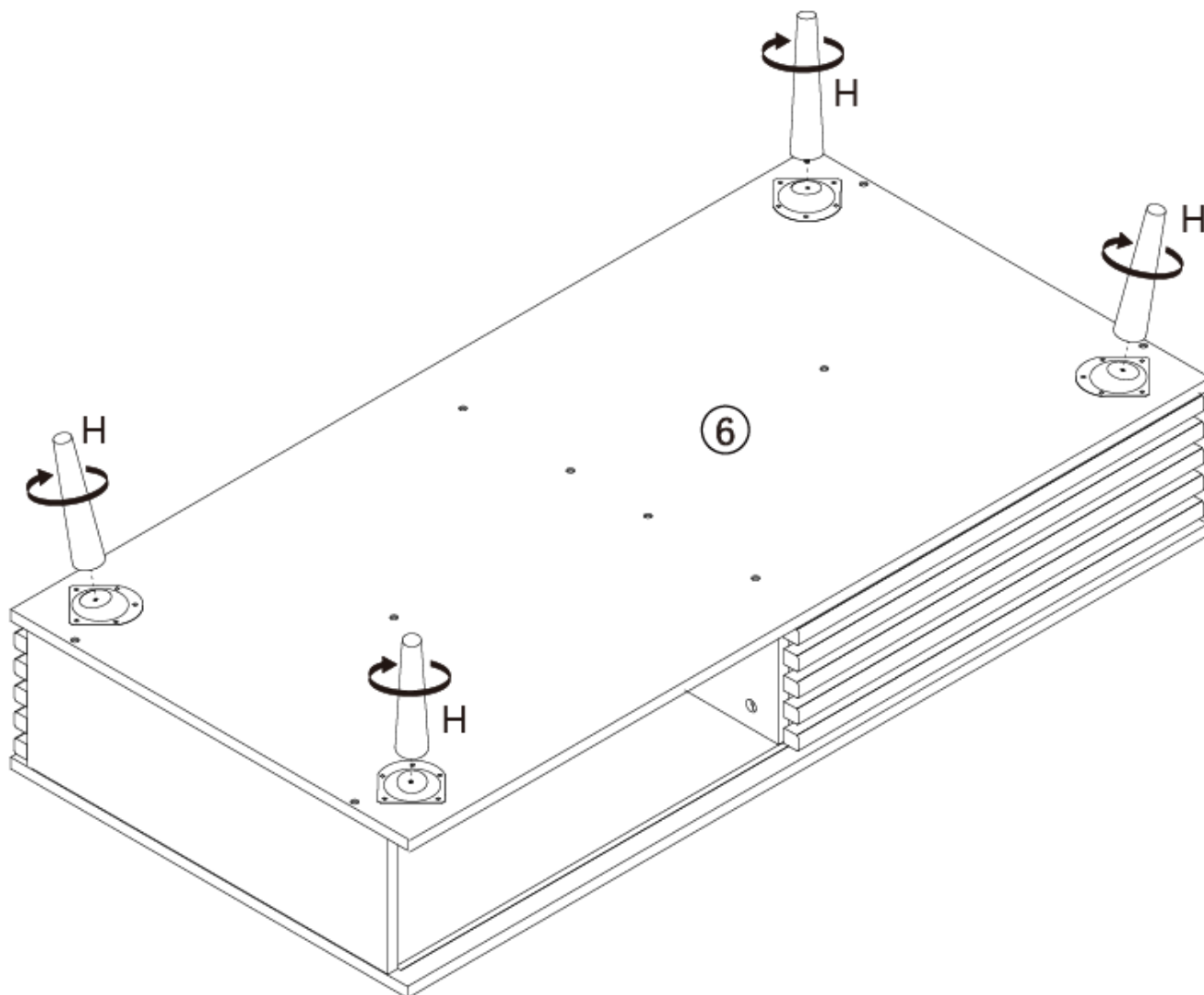
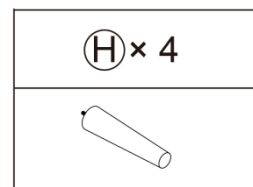
Step 8: Install hardware G to panel 6 using hardware G

ⓕ × 4	ⓖ × 20
	

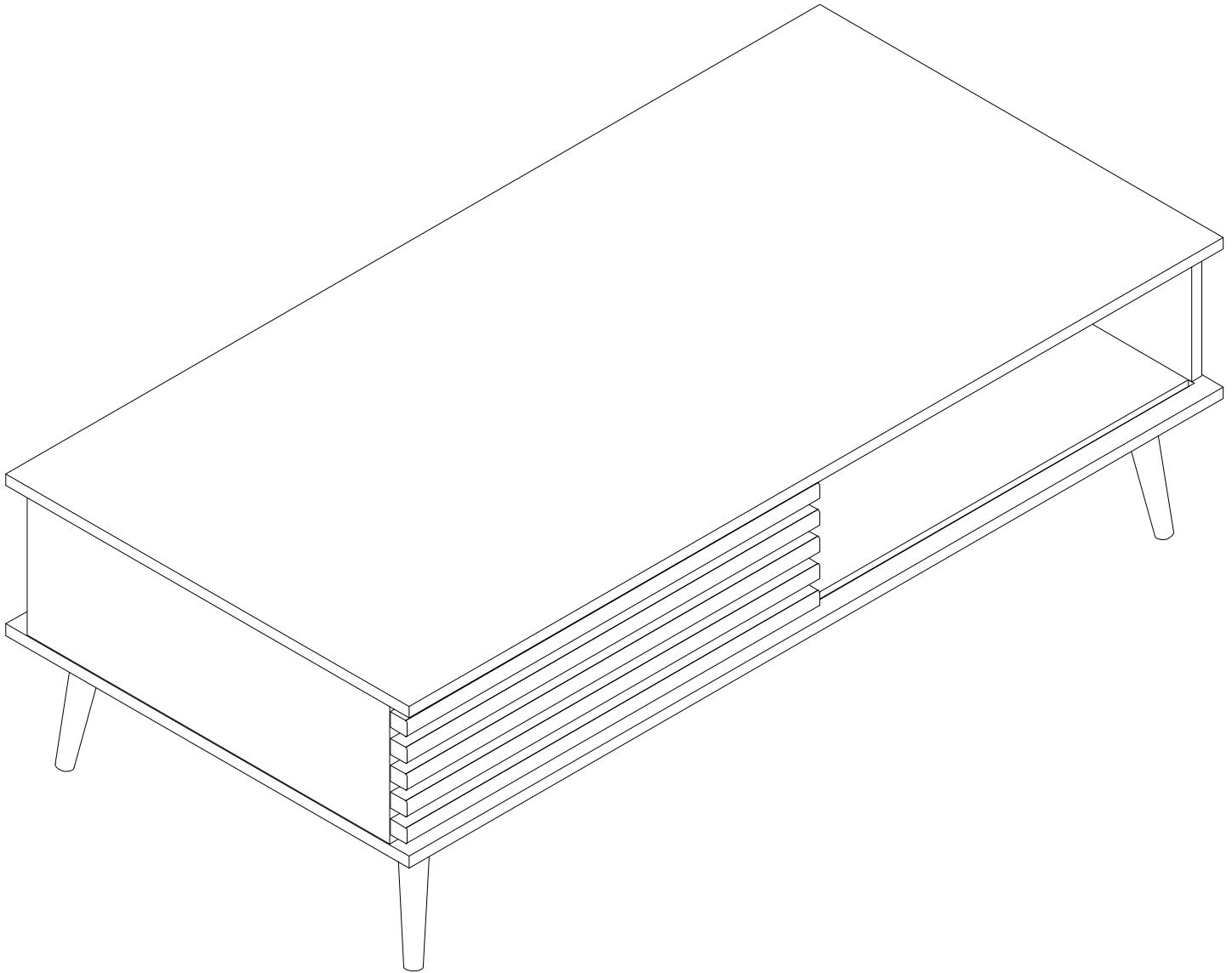


Product Name:	Natural Finish Wood Coffee Table with Sliding Door and Storage
SKU #:	WHIF1978

Step 9: Attach the legs H to the four corners of panel 6 by screwing it into hardware G.



Product Name:	Natural Finish Wood Coffee Table with Sliding Door and Storage
SKU #:	WHIF1978



Warning: DO NOT sit or stand on the Cabinet as this may damage the product and cause serious bodily injury.