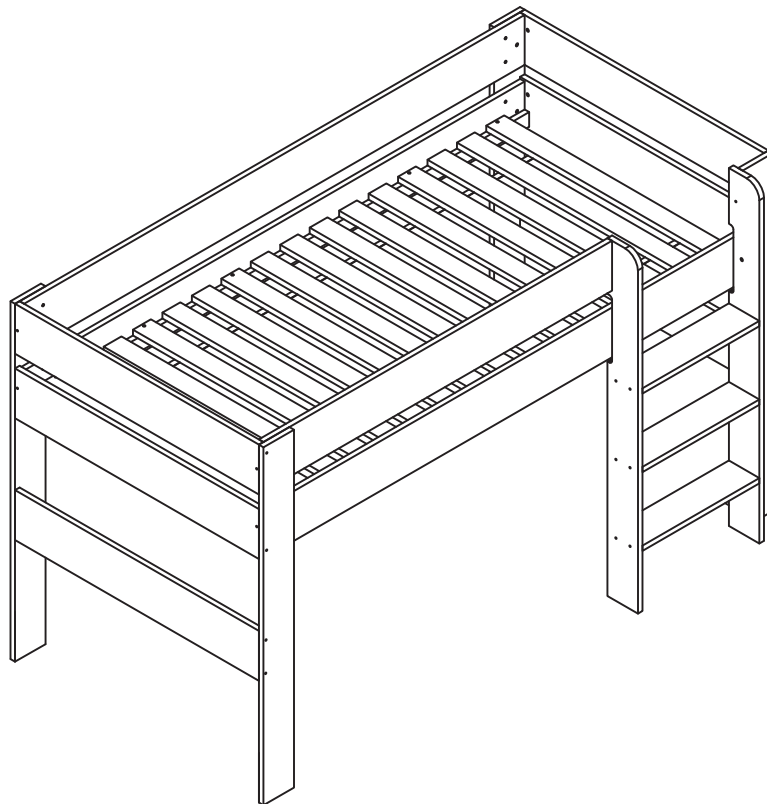


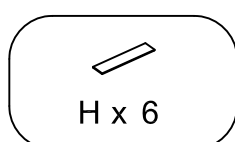
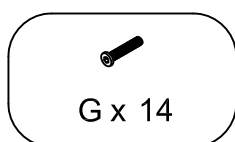
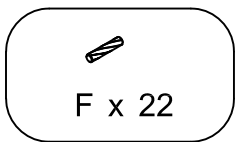
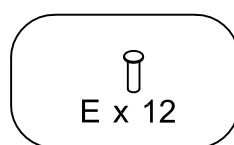
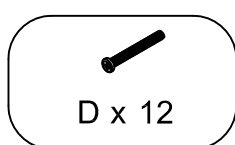
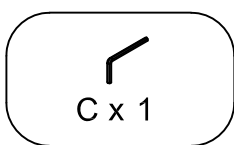
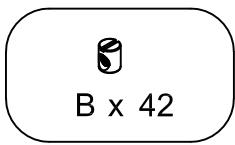
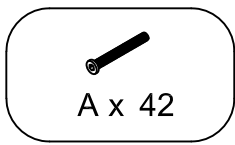
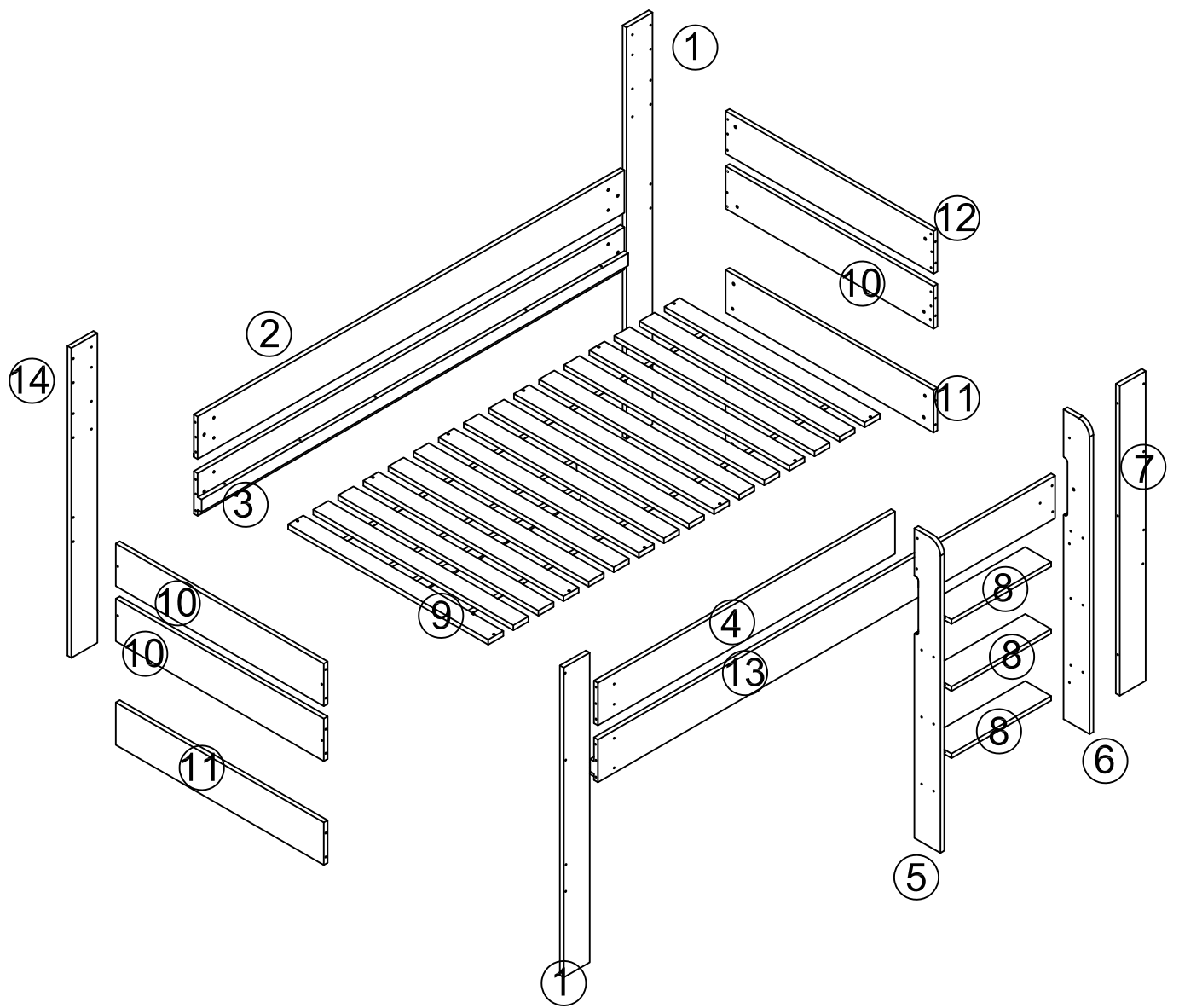
**IMPORTANT  
KEEP FOR FUTURE REFERENCE & READ CAREFULLY**



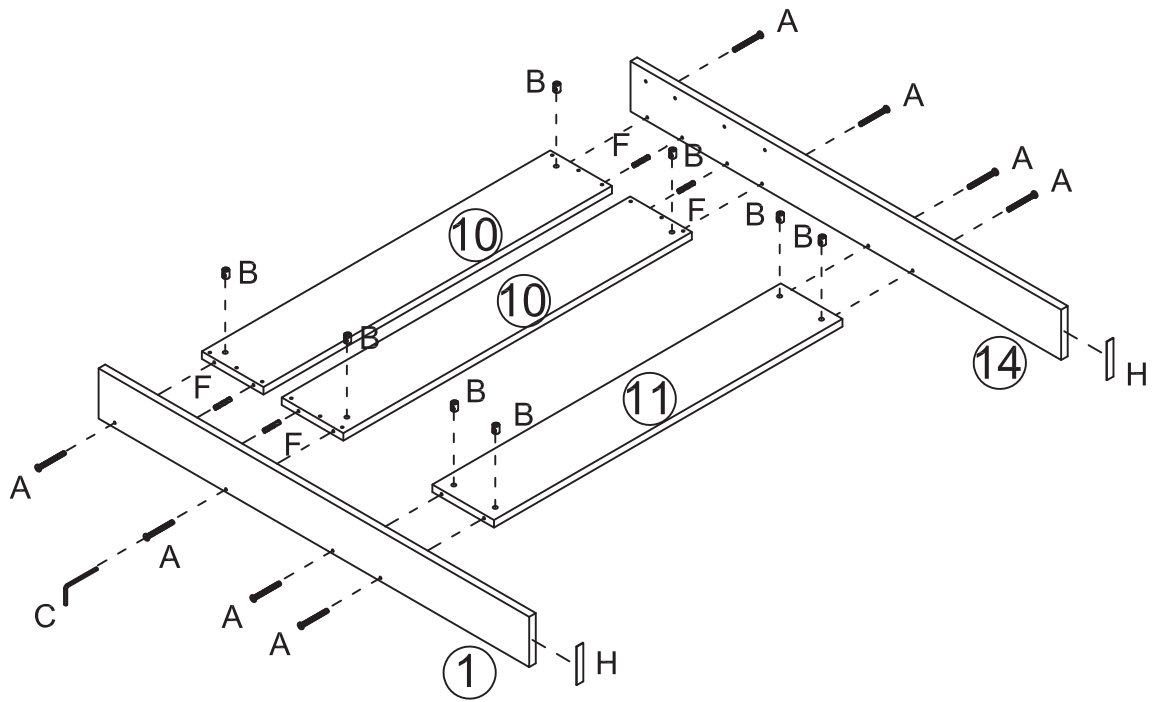
**INSTRUCTIONS**

## **IMPORTANT – READ CAREFULLY – RETAIN FOR FUTURE REFERENCE**

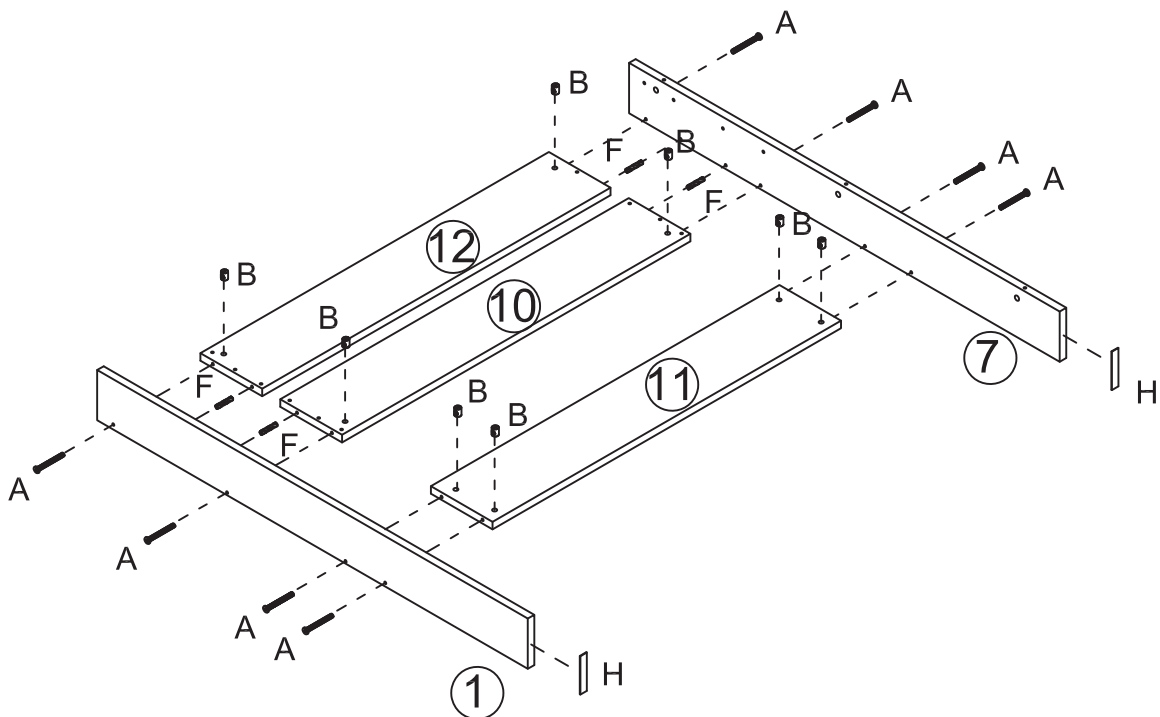
- A. WARNING – High beds and the upper bed of bunk beds are not suitable for children under six years due to the risk of injury from falls.
- B. WARNING – Bunk beds and high beds can present a serious risk of injury from strangulation if not used correctly. Never attach or hang items to any part of the bunk bed that are not designed to be used with the bed, for example, but not limited to ropes, strings, cords, hooks, belts and bags.
- C. WARNING – Children can become trapped between the bed and the wall, a roof pitch, the ceiling, adjoining pieces of furniture (e.g cupboards) and the like. To avoid risk of serious injury the distance between the top safety barrier and adjoining structure shall not exceed 75 mm or shall be more than 230 mm.
- D. WARNING – Do not use the bunk bed/high bed if any structural part is broken or missing.
- E. Always follow the manufacturer's instructions.
- F. The recommended size of the mattress Height 150 mm x Width 900 mm x Depth 1900 mm.
- G. The room upon which the item is placed should be well ventilated to keep the humidity low to prevent mould in and around the bed.
- H. The maximum thickness of the mattress should be 150 mm.
- I. Regularly check that all fastenings and fittings are properly tightened.
- J. European Standard



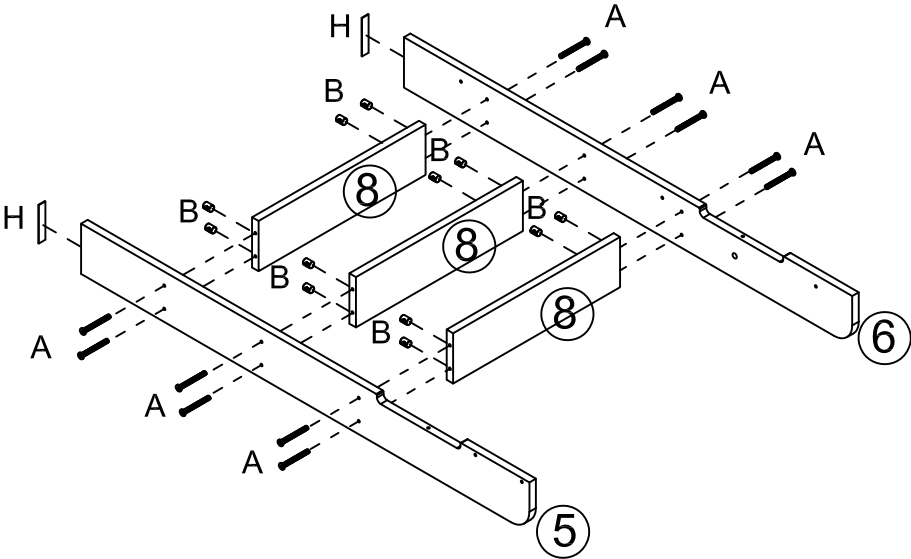
# Step 1



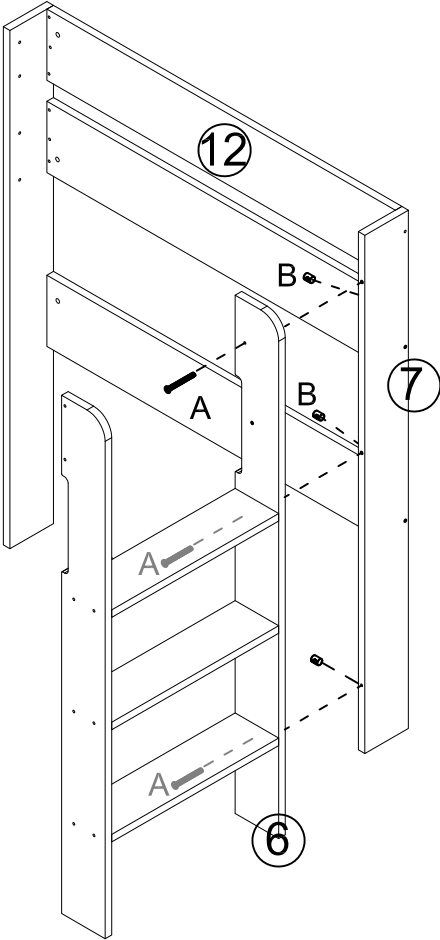
# Step 2



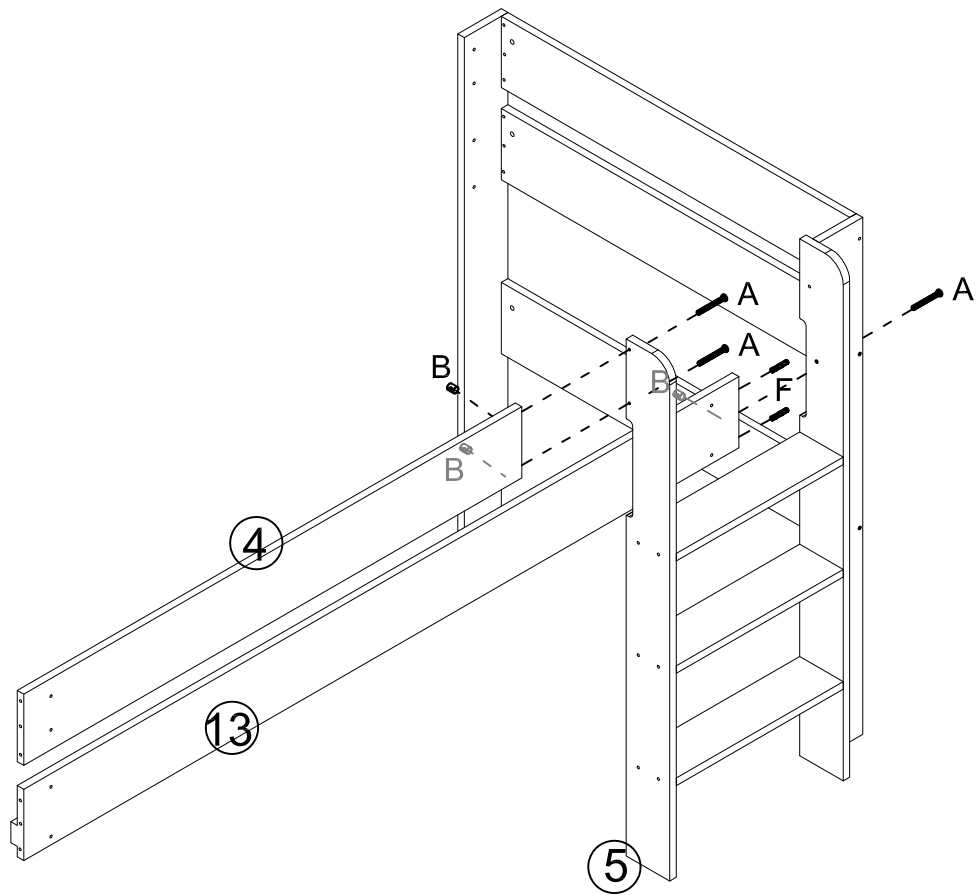
# Step 3



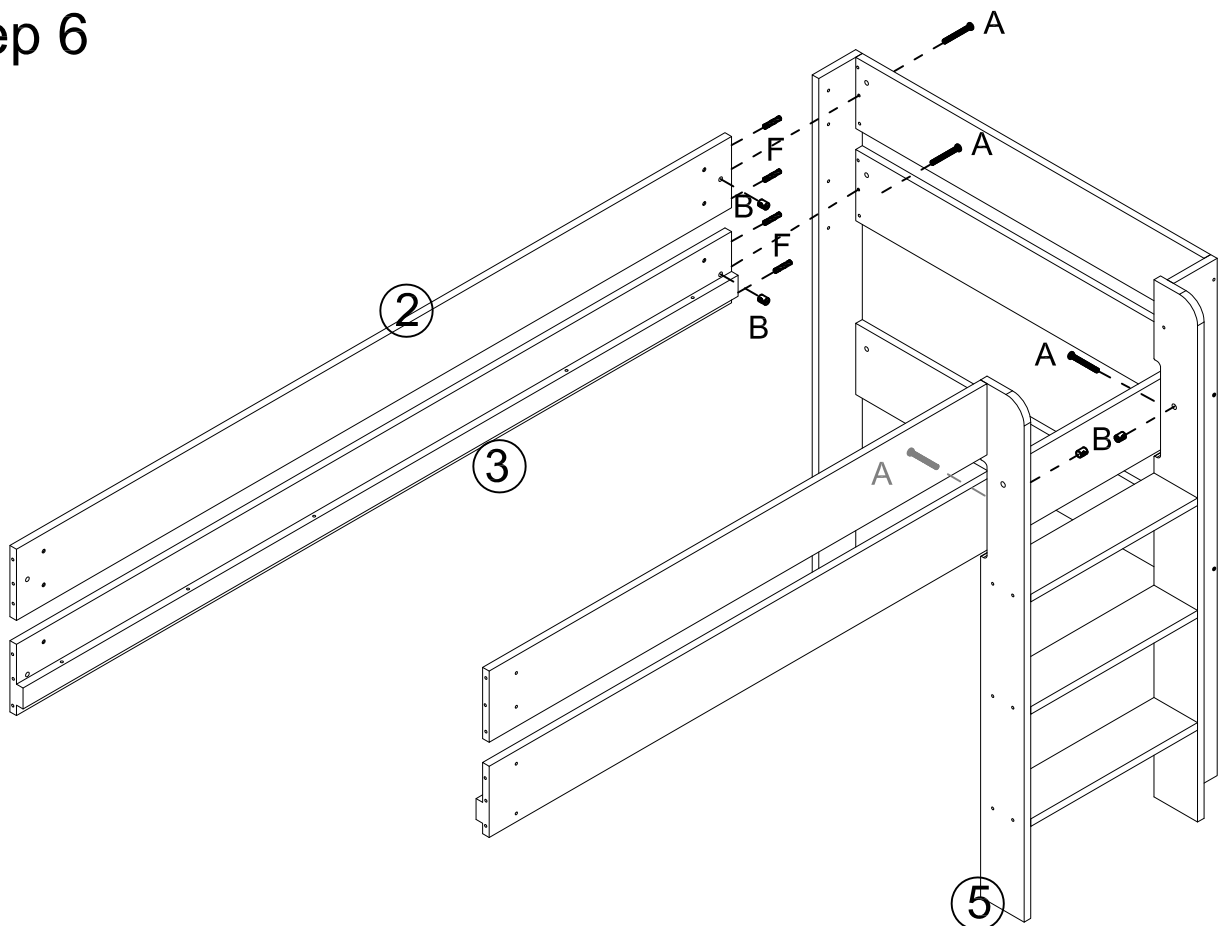
# Step 4



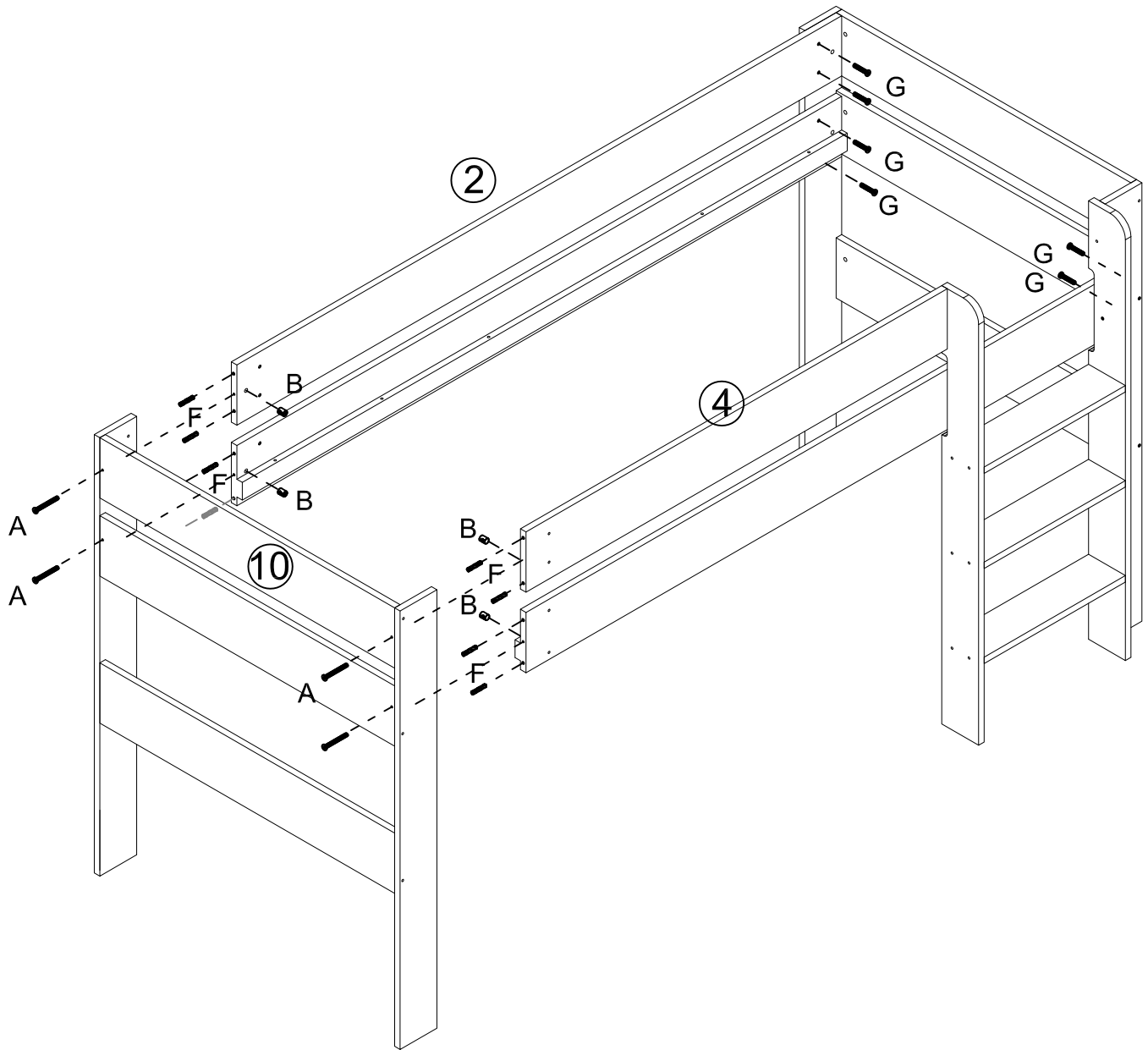
# Step 5



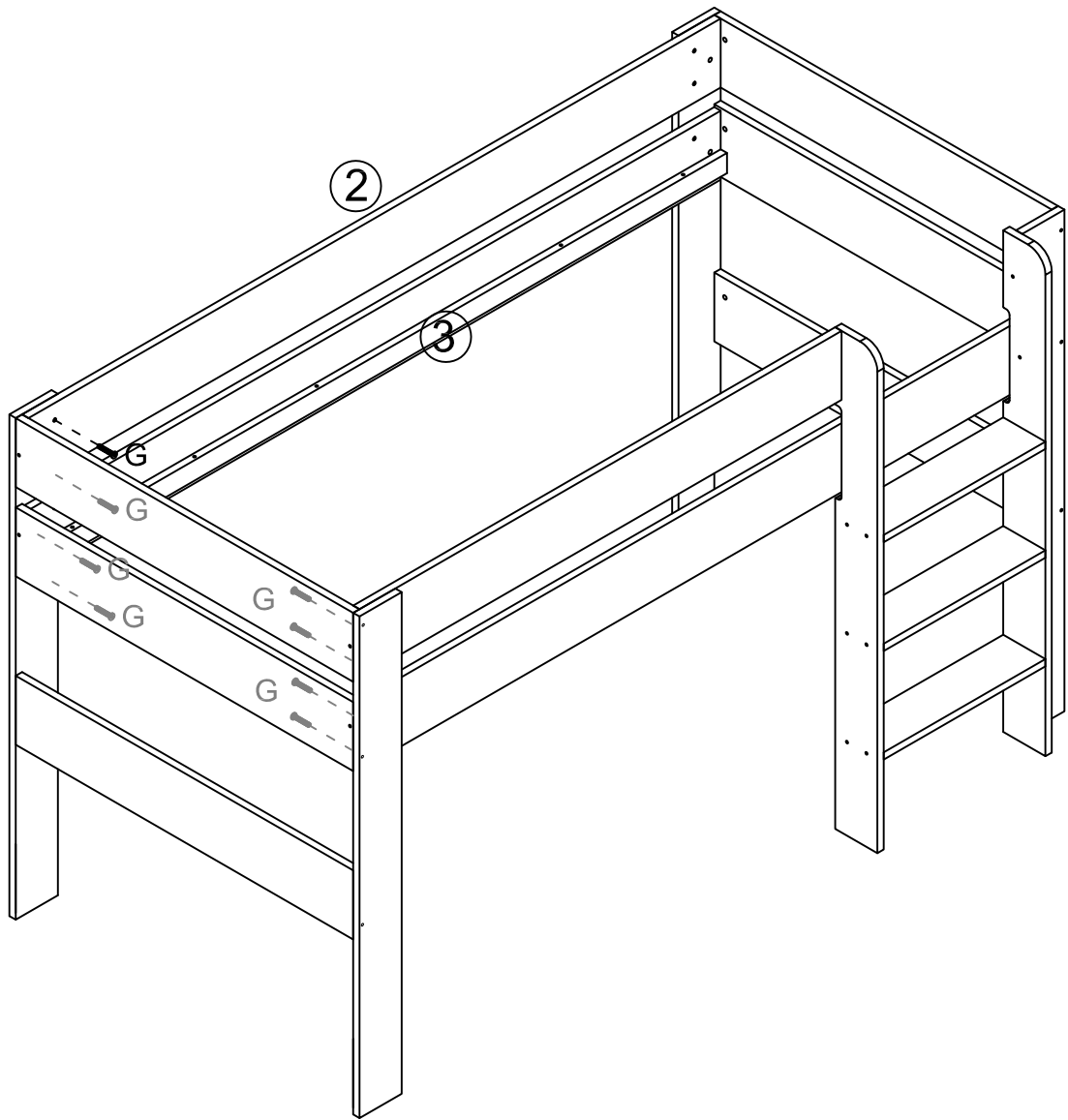
# Step 6



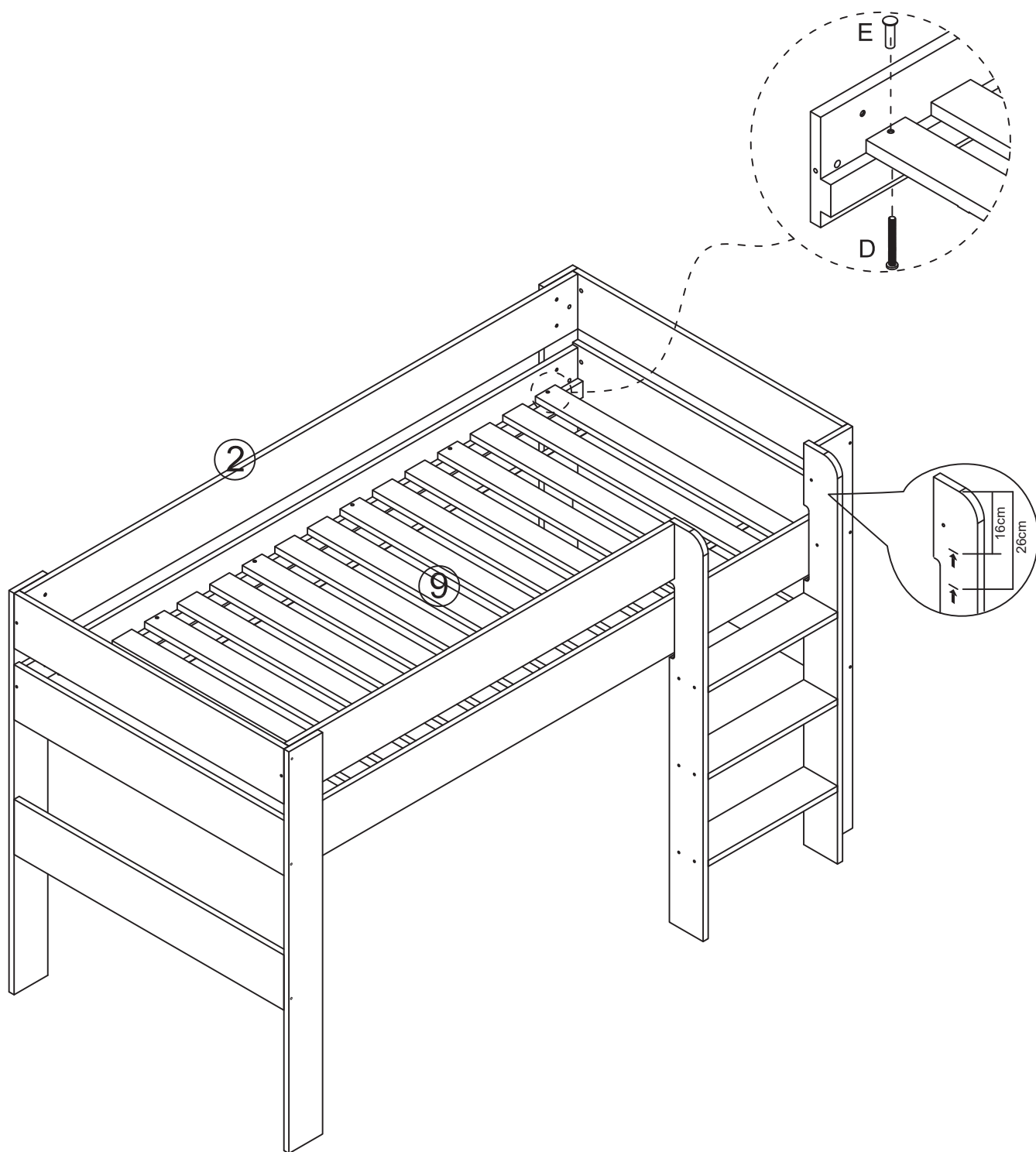
# Step 7

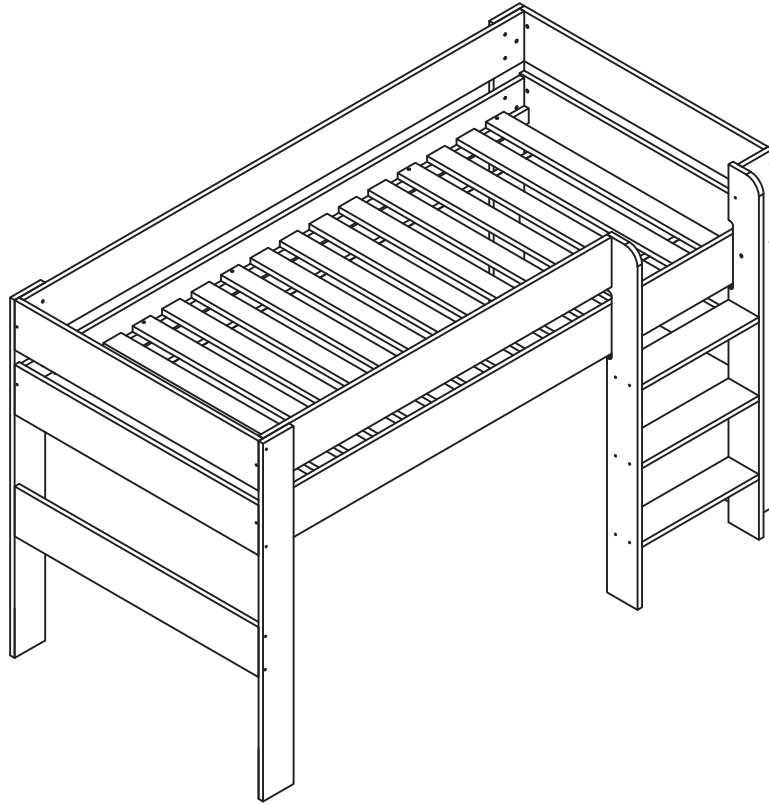


# Step 8



# Step 9





The unit is now complete, please read the user guide notes to maintain the unit to its highest standard.

## USER GUIDE

Thank you for choosing a product. Please take a little time to read the important safety notes detailed below. This will ensure many years of happy, safe use.

### SAFETY: TAKE NOTE

- Keep this product away from fire and direct heat sources.
- Only use spares approved by KIDSAW.
- Always empty the unit before dismantling.
- Adult assembly required.

### CARE & MAINTENANCE

- All surfaces should be wiped over using a damp cloth to clean.
- Never clean with abrasive, ammonia based, bleach or spirit type cleaner