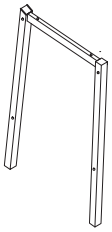
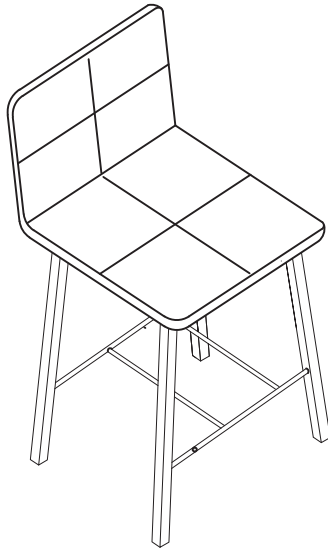
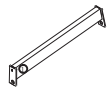


# ASSEMBLY INSTRUCTIONS



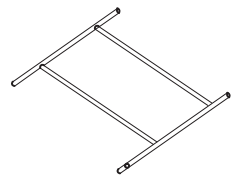
A\*8PCS



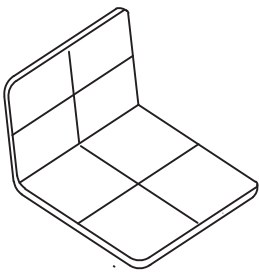
B\*4PCS



C\*4PCS



D\*4PCS



F\*4PCS

$\frac{1}{4}$ "\*13MM



G\*16PCS

$\frac{1}{4}$ "\*43MM



H\*32PCS

$\frac{1}{4}$ "\*47MM



I\*16PCS

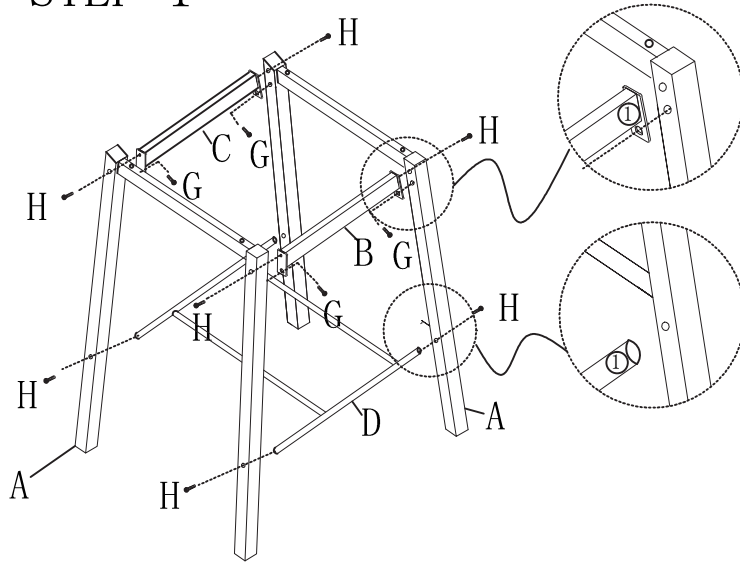
4M



J\*1PC

Note: Pls do not tighten all bolts until the chair is assembled completely

### STEP 1



### STEP 2

