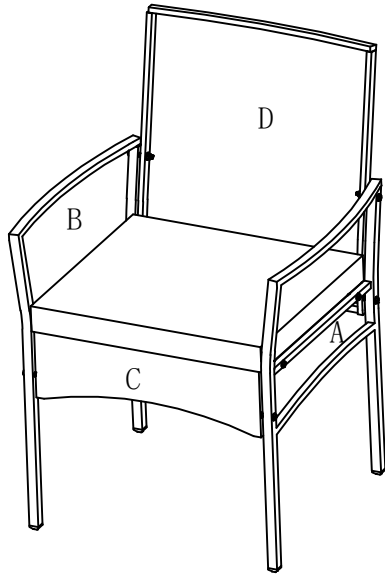


PACKING LIST

2PCS



A



2

B



2

C



2

D



2

P



18

Q



4

R



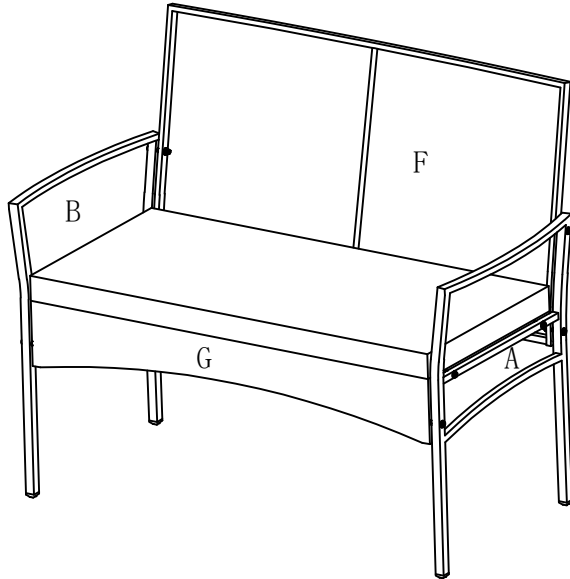
22

S



44

1PCS



A



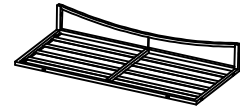
1

B



1

F



1

G



1

P



10

Q



2

R



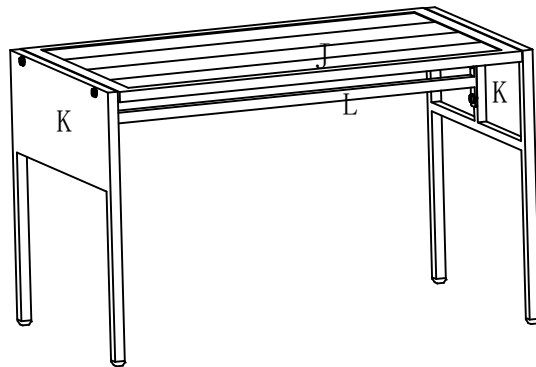
12

S

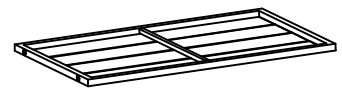


24

1PCS

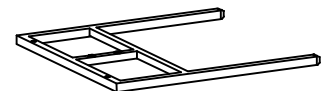


J



1

K



2

L



1

M



4

N



4

S



8

T

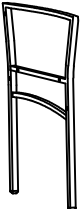
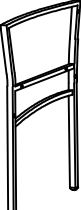
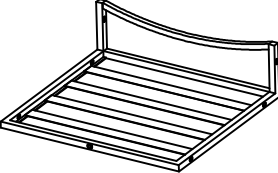
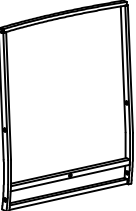
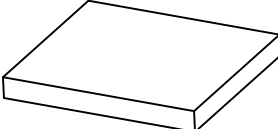

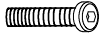




1

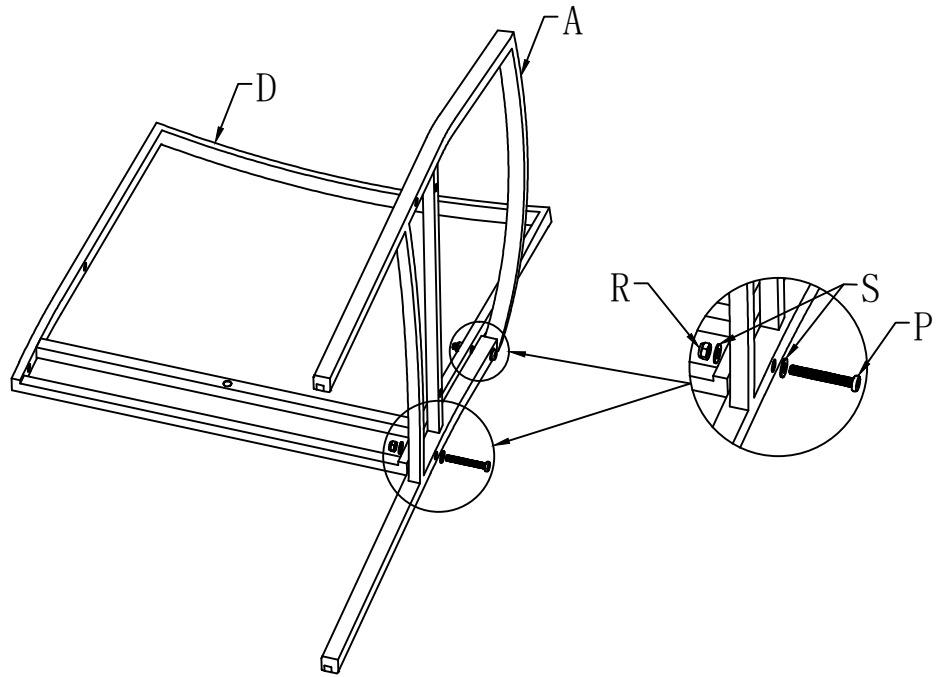
U



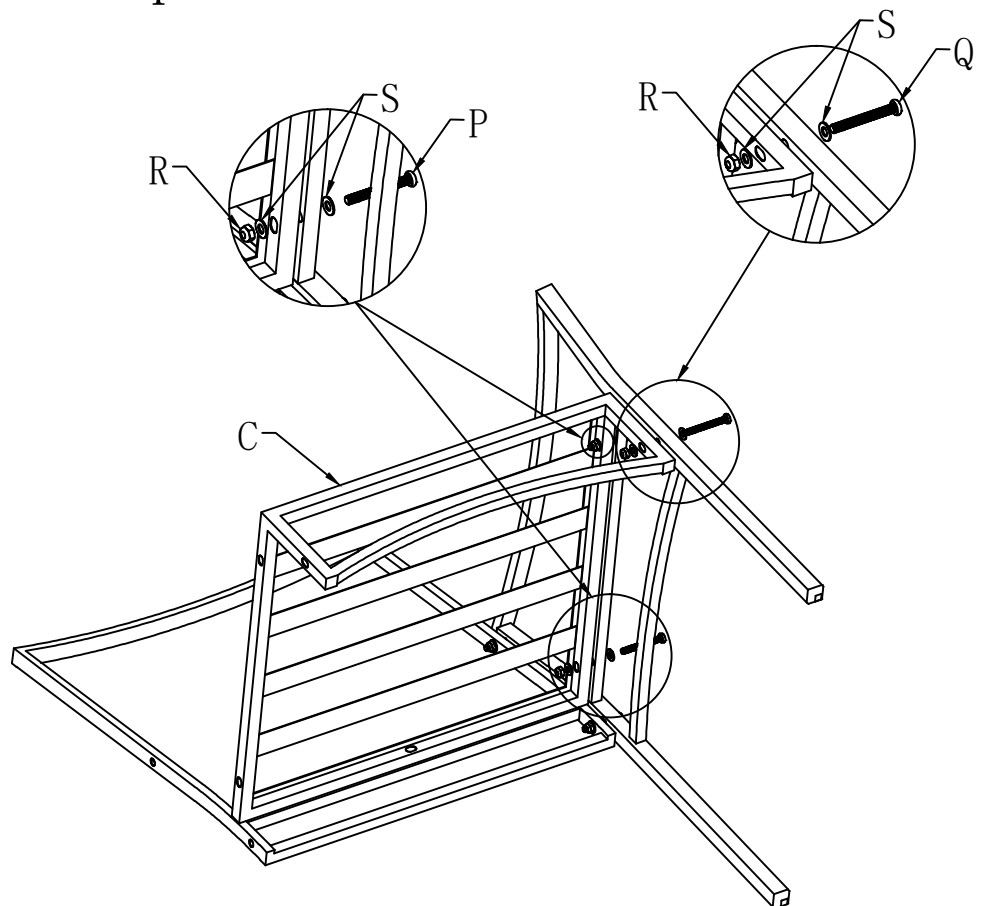
1

A		1
B		1
C		1
D		1
E		1
P	 M6*45	9
Q	 M6*50	2
R	 M6	11
S		22

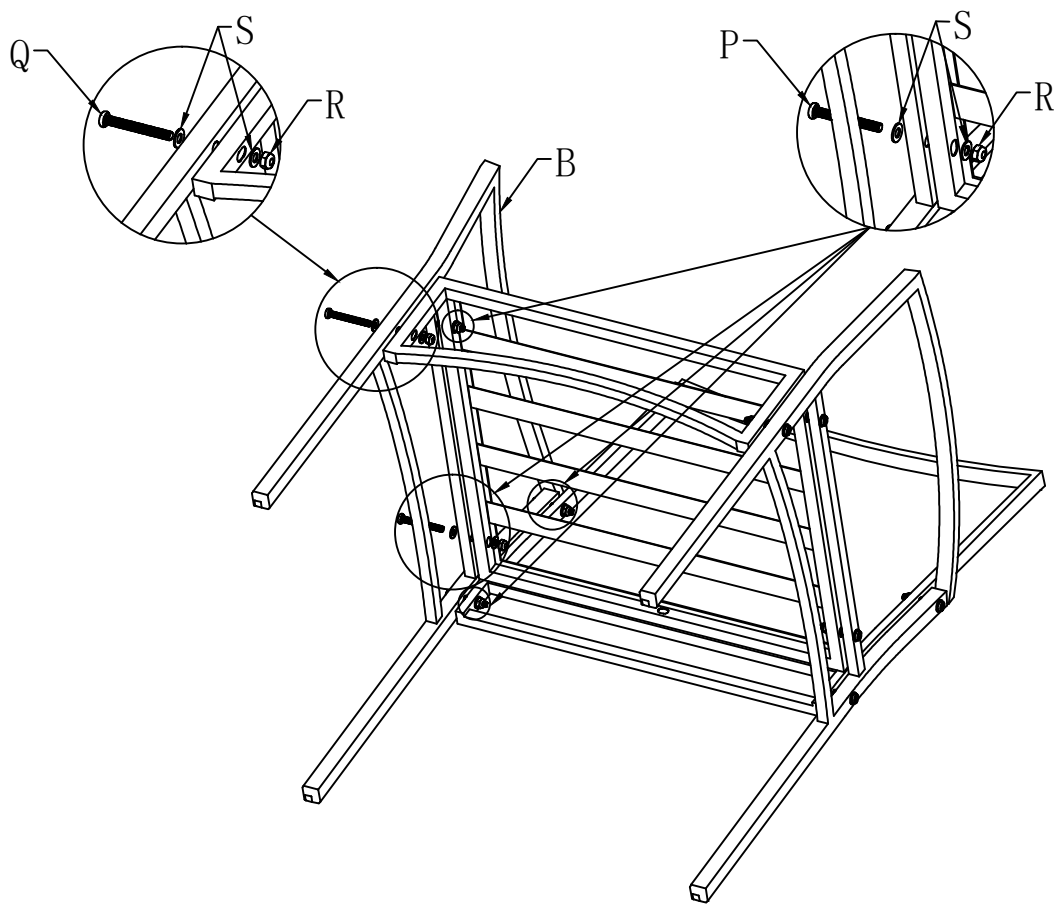
Step 1



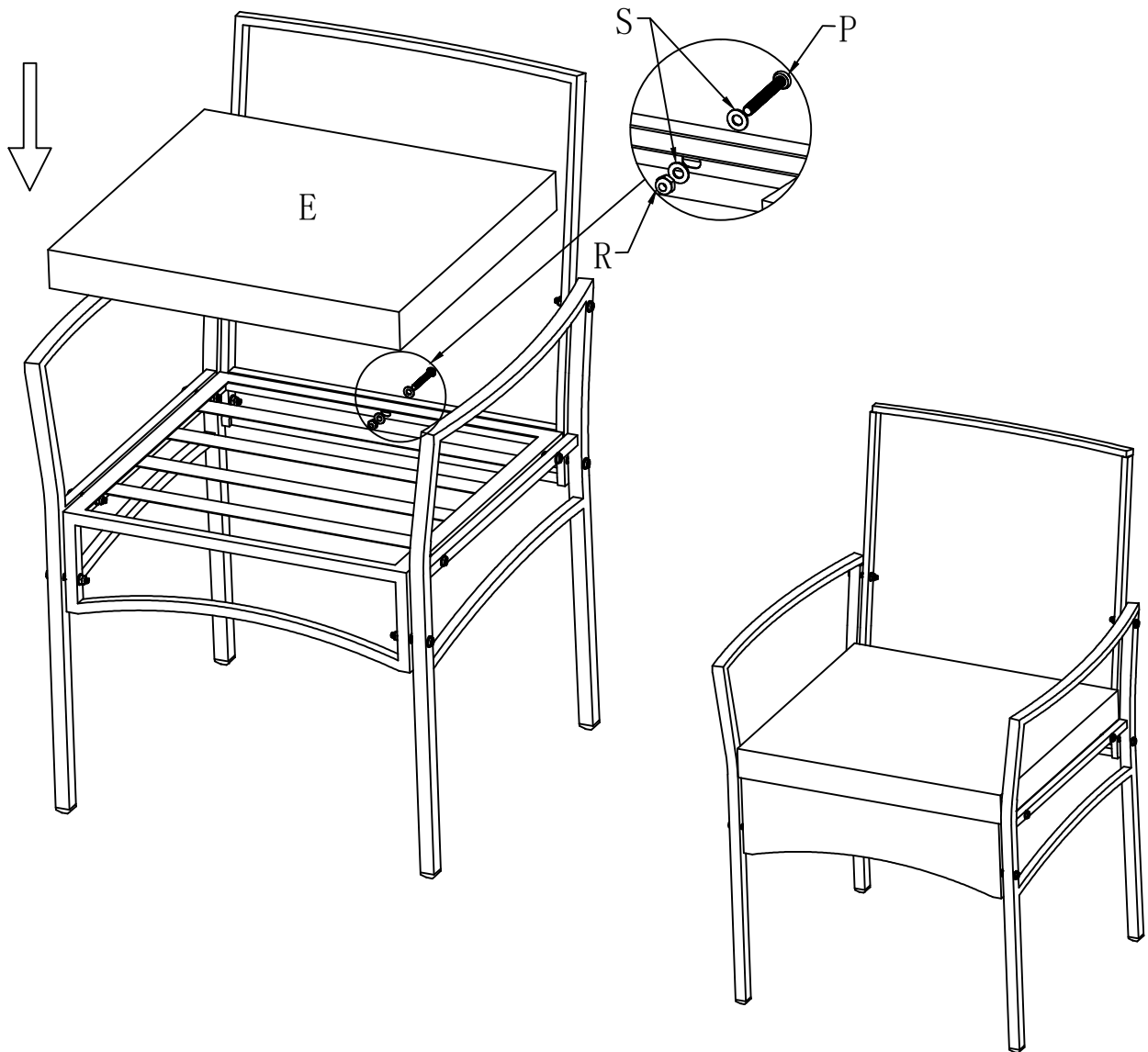
Step 2

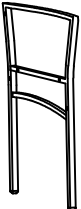
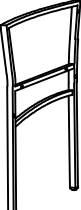
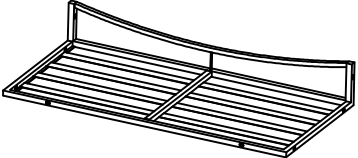
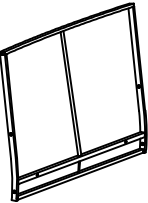
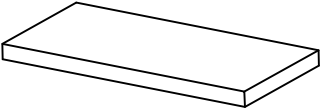

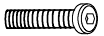




Step 3

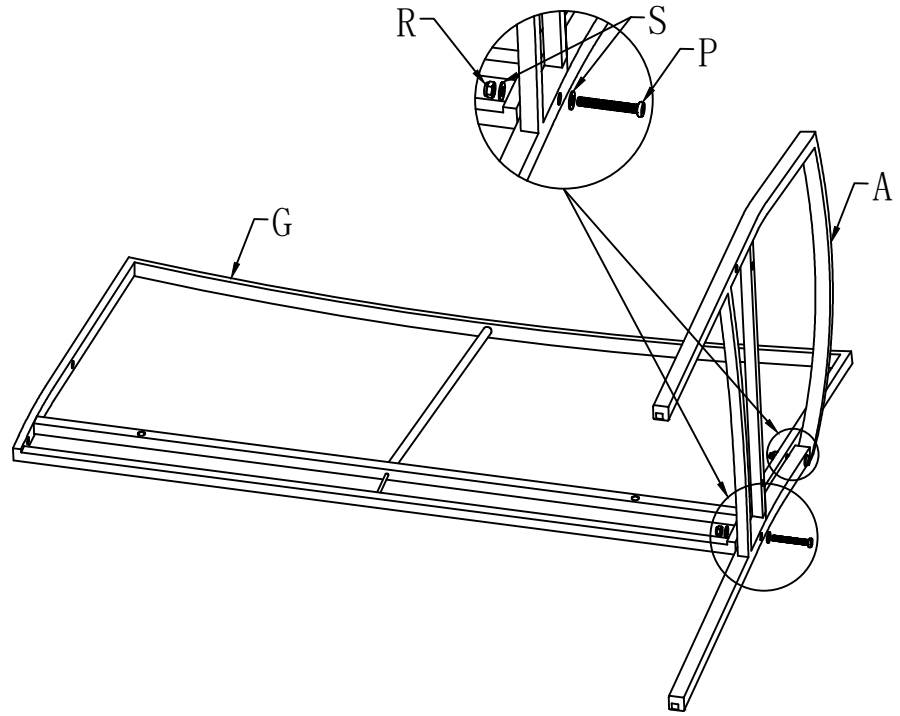


Step 4

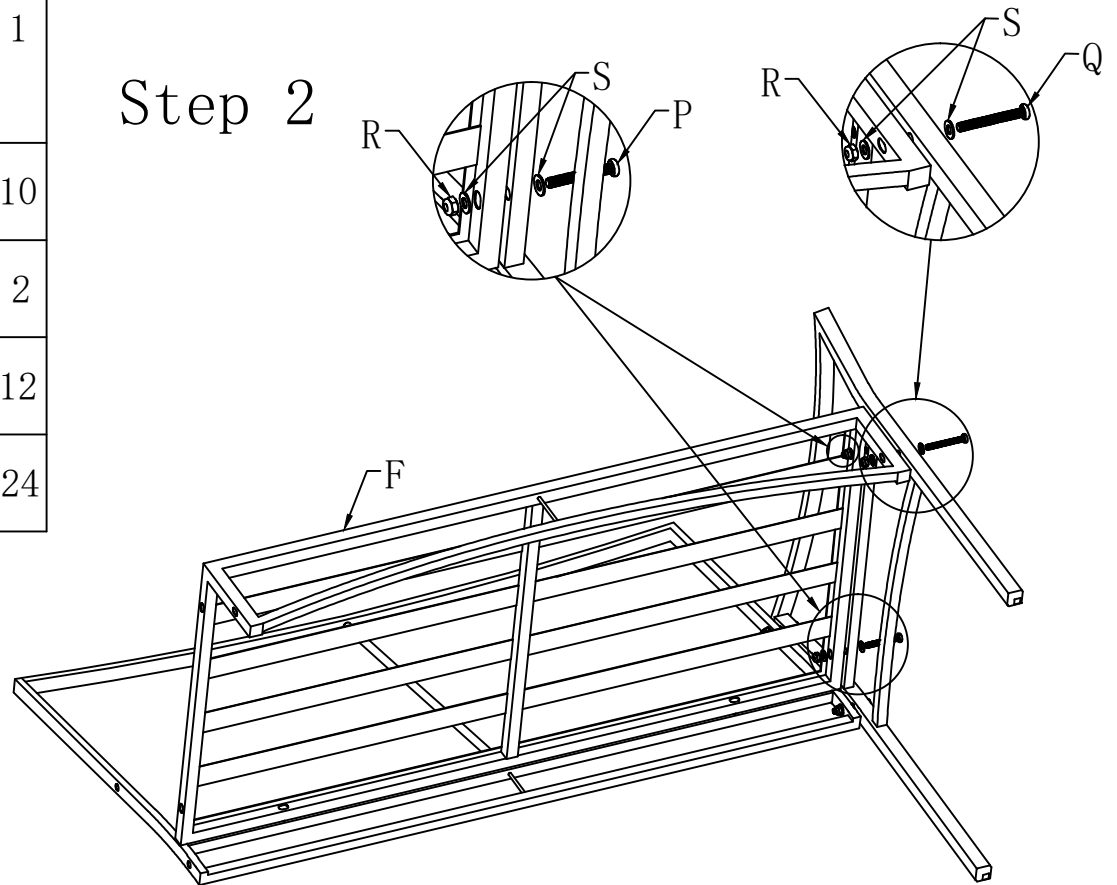


A		1
B		1
F		1
G		1
H		1
P	 M6*45	10
Q	 M6*50	2
R	 M6	12
S		24

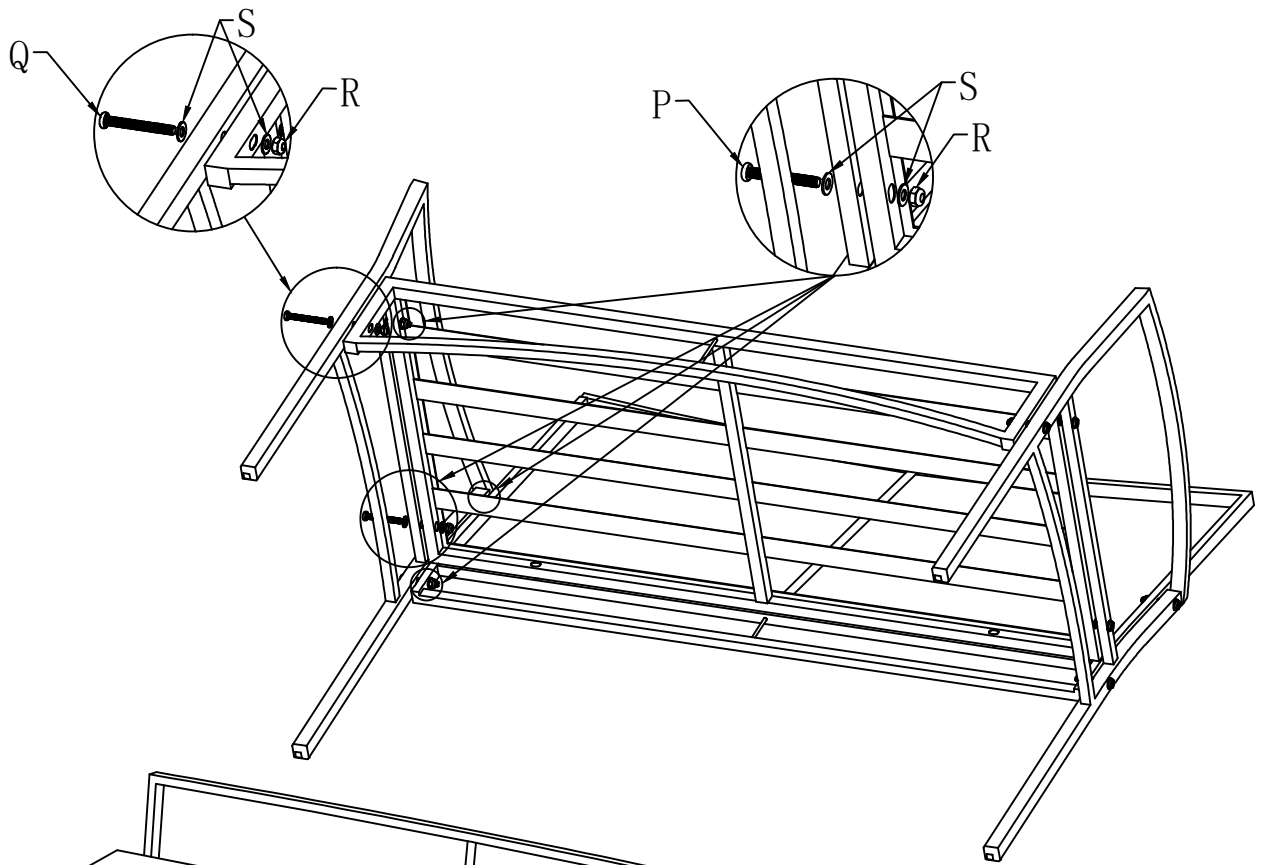
Step 1



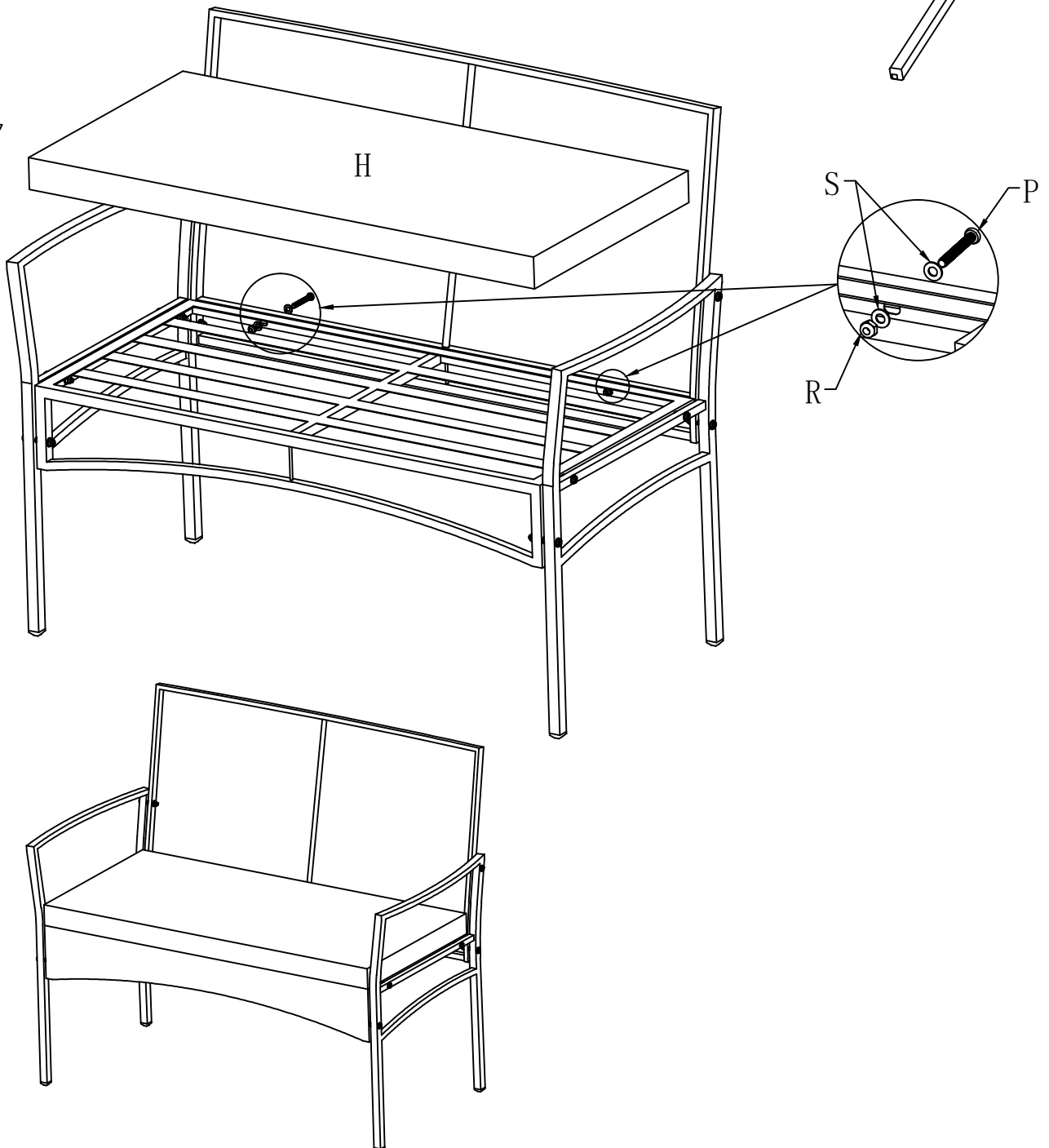
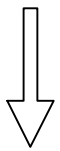
Step 2

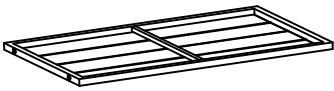
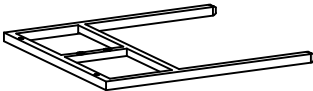





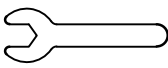


Step 3

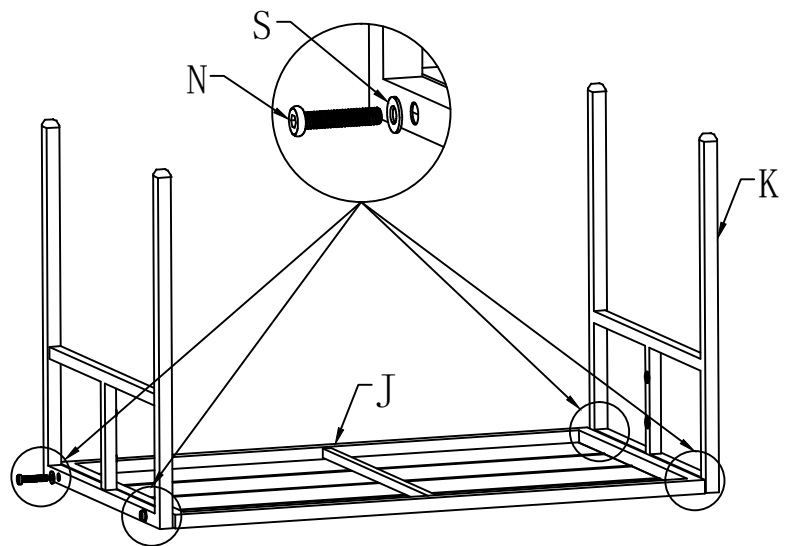


Step 4



J		1
K		2
L		1
M	 M6*15	4
N	 M6*30	4
S		8
T		1
U		1

Step 1



Step 2

