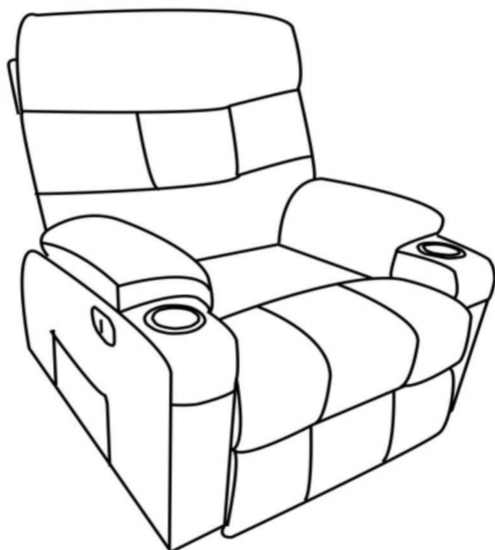
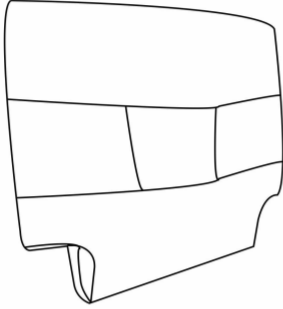


# **Assembly Manual Recliner**



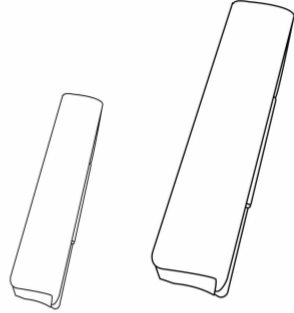
**Please read this manual carefully before any operation and keep it properly for future use.**

## A. Backrest

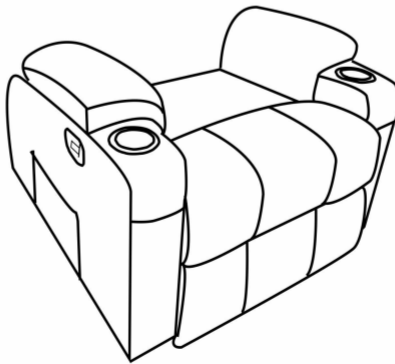


## B. Shoulder

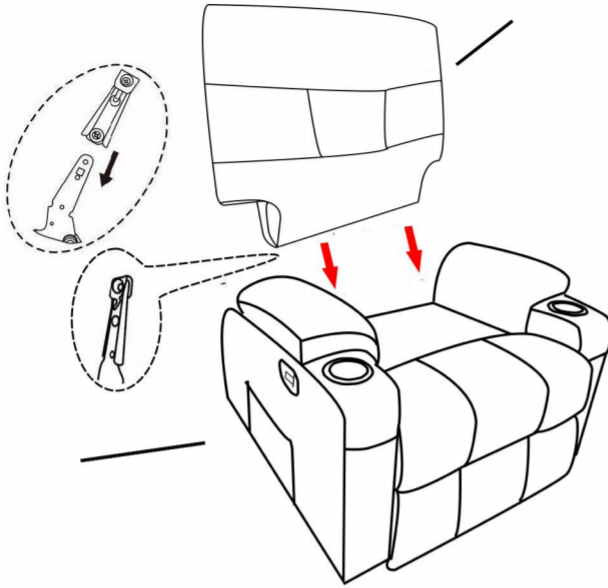
Attention: Remove the shoulders(B) from the bottom of the seat before assembly.



## C. Seat



**Step 1:** Remove the packing material first and then insert the backrest to the seat as shown in the diagram below.



**Step 2:** Insert shoulders into the back through the slot.

