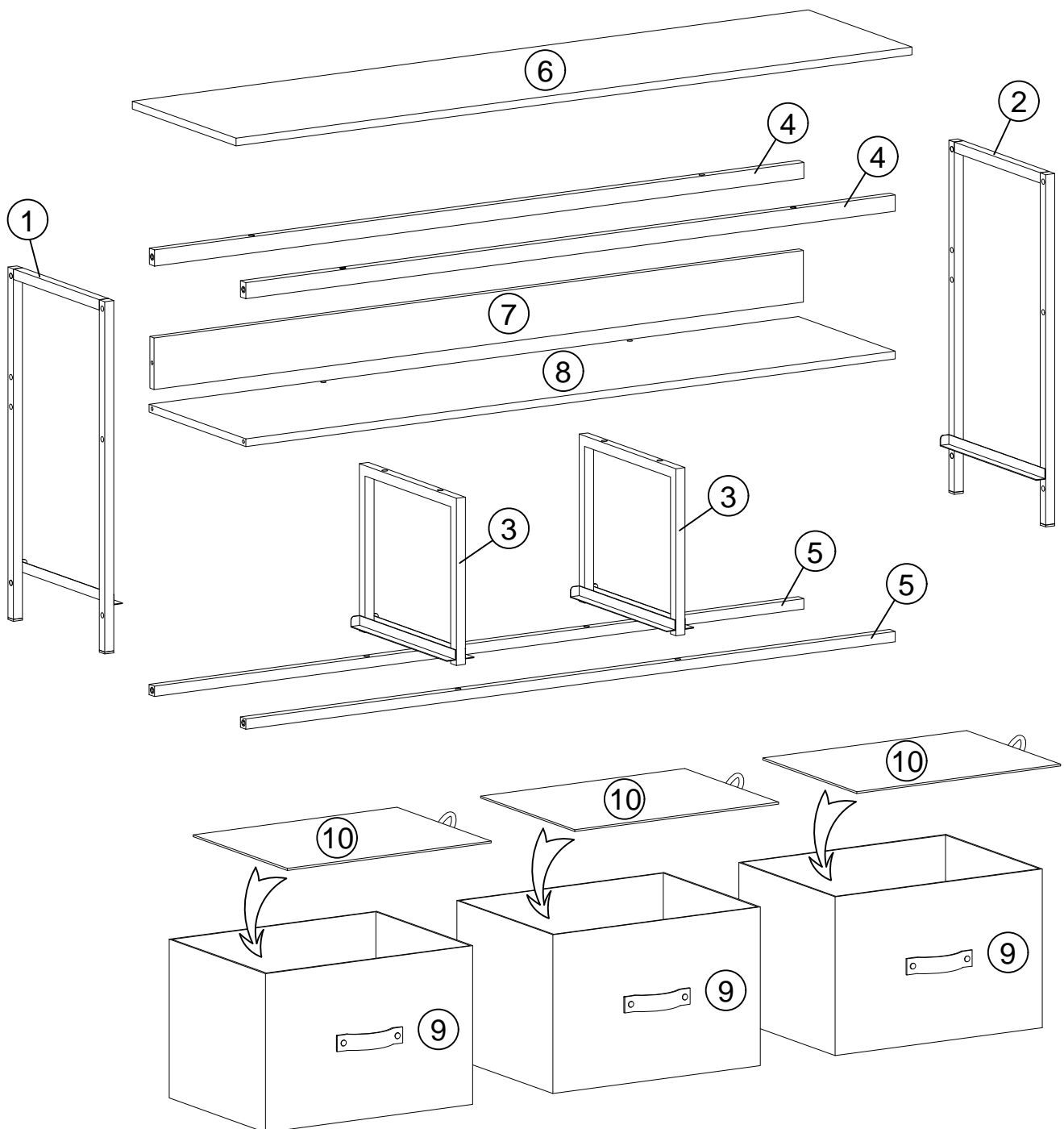


Dresser TV Stand

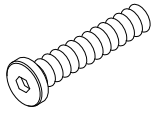
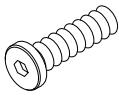
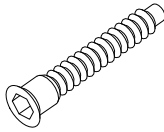
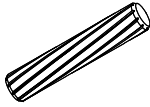
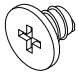
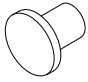
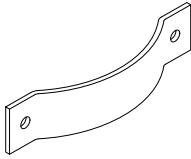
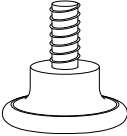
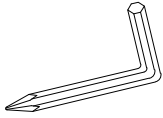


COMPONENTS ID Nr.

Part Nr.	Qty	Part Nr.	Qty
1	1pc	6	1pc
2	1pc	7	1pc
3	2pcs	8	1pc
4	2pcs	9	3pcs
5	2pcs	10	3pcs



HARDWARE LIST

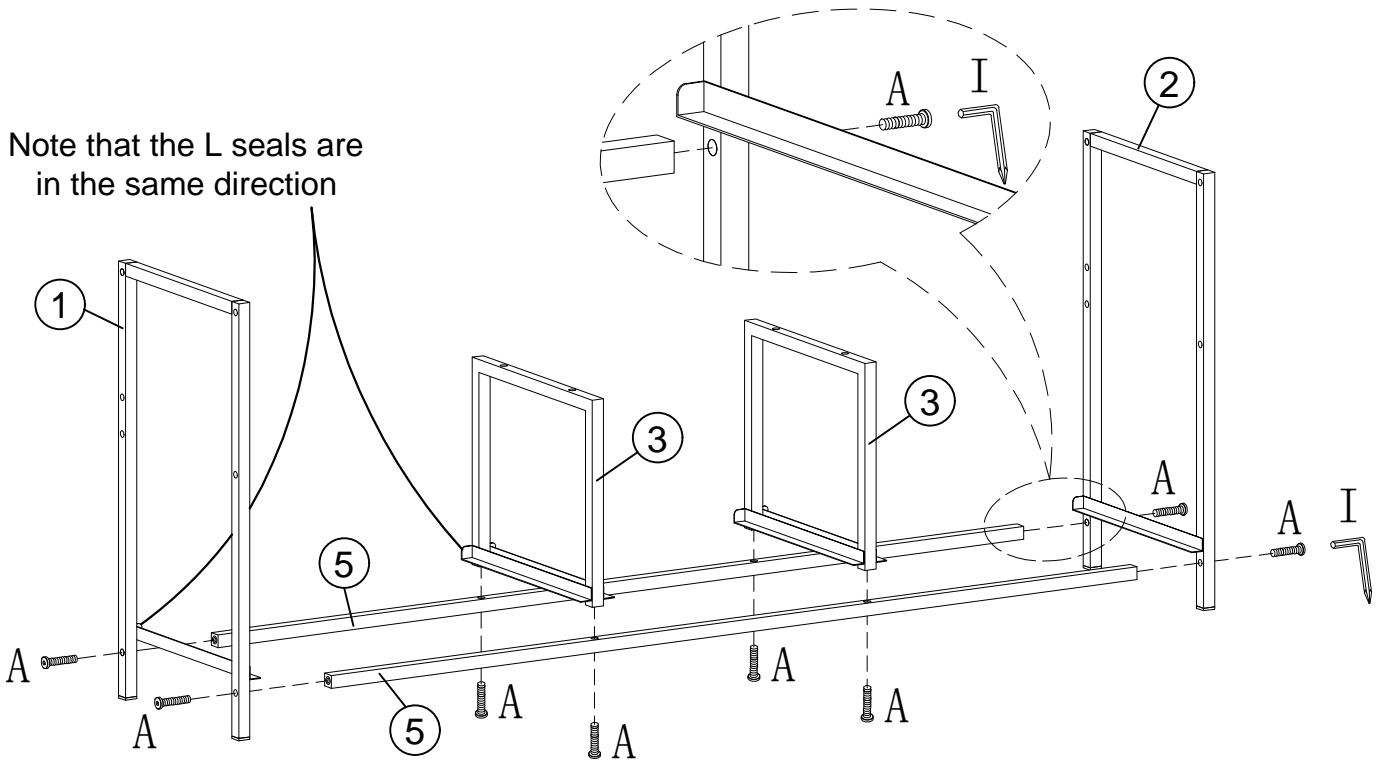
<p>Ⓐ x(16+1)</p>  <p>M6x33mm</p>	<p>Ⓑ x4</p>  <p>M6x23mm</p>	<p>Ⓒ x6</p>  <p>M7X40mm</p>	<p>Ⓓ x2</p>  <p>6X30mm</p>
<p>Ⓔ x6</p>  <p>M4X5mm</p>	<p>Ⓕ x6</p>  <p>M4X6mm</p>	<p>Ⓖ x3</p>  <p>125X25X2.5mm</p>	<p>Ⓗ x4</p>  <p>30X13XM6X15mm</p>
<p>Ⓘ x1</p>  <p>M4</p>			

PRODUCT ASSEMBLY

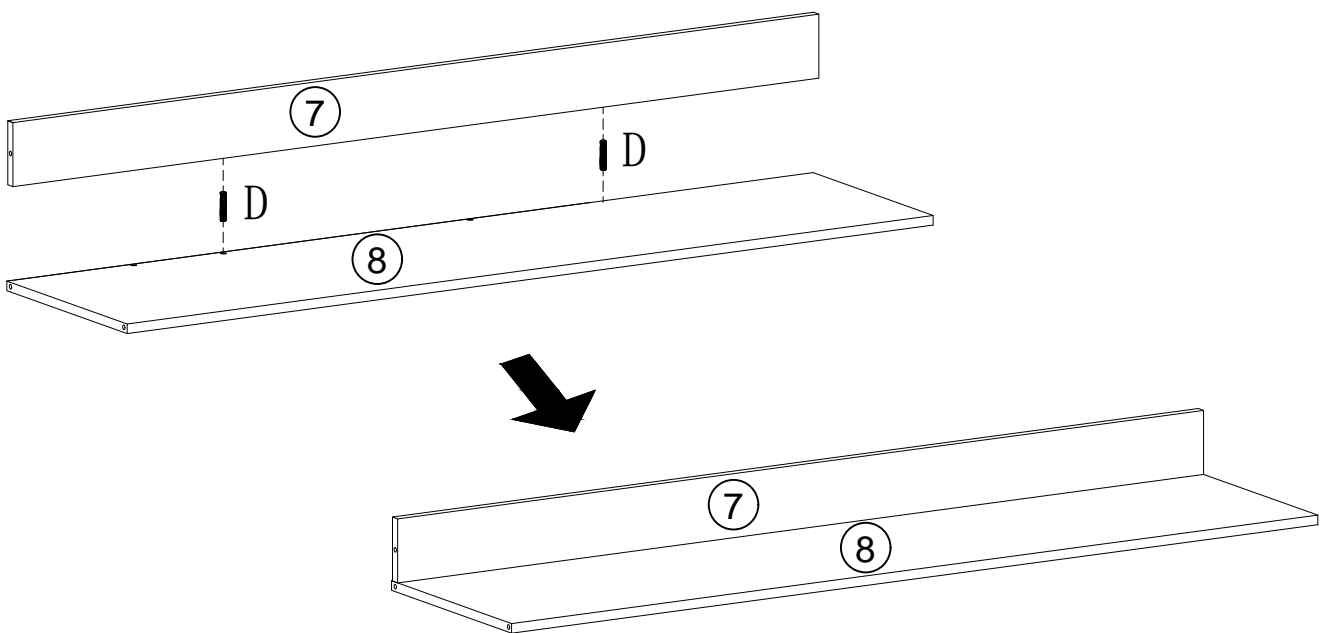
1



Note that the L seals are in the same direction

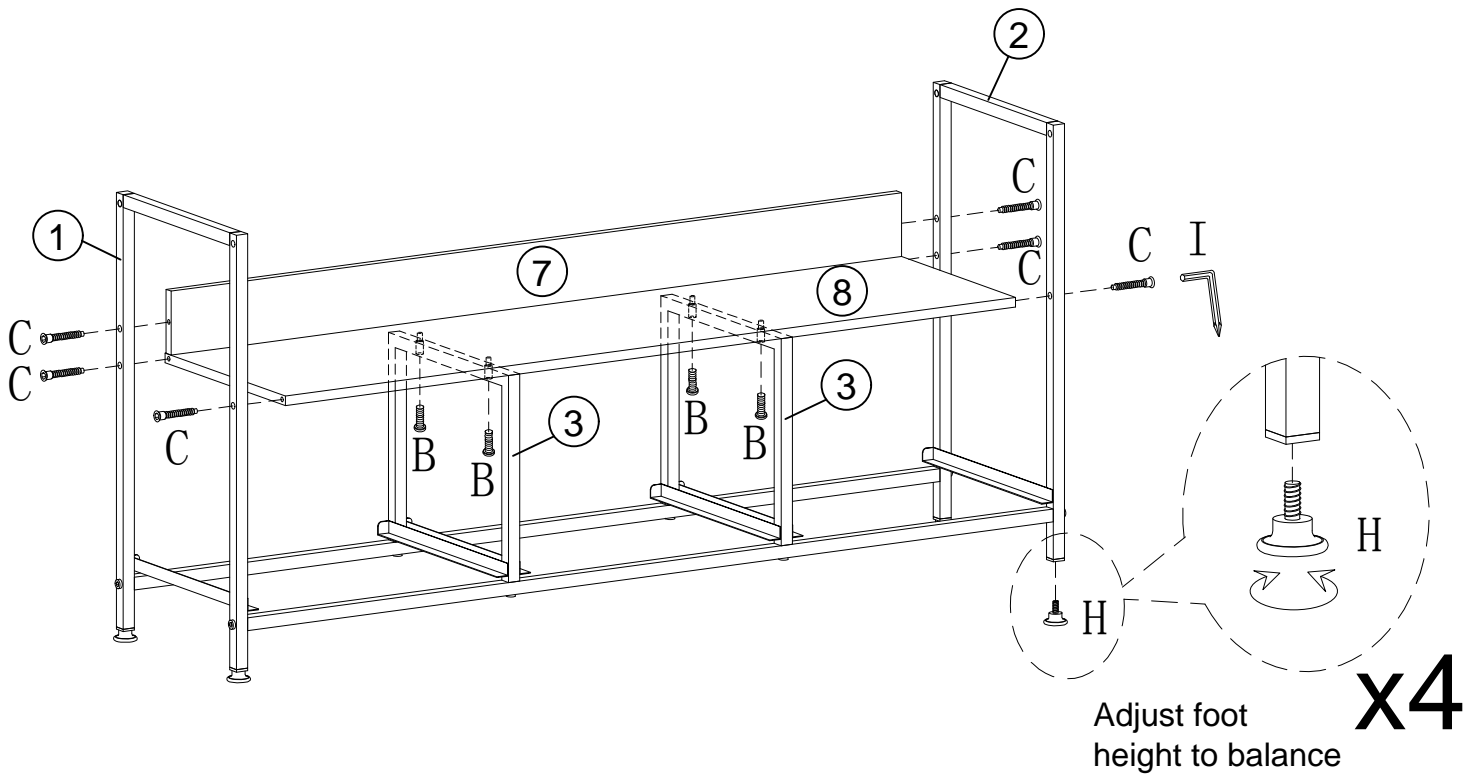
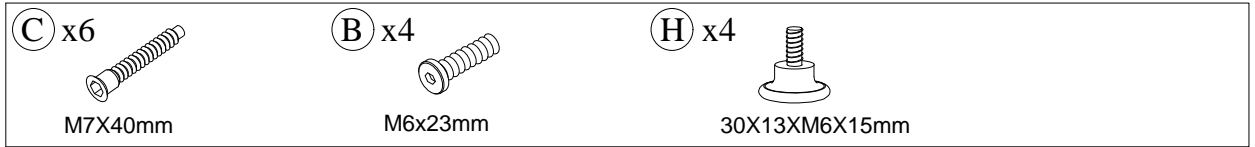


2

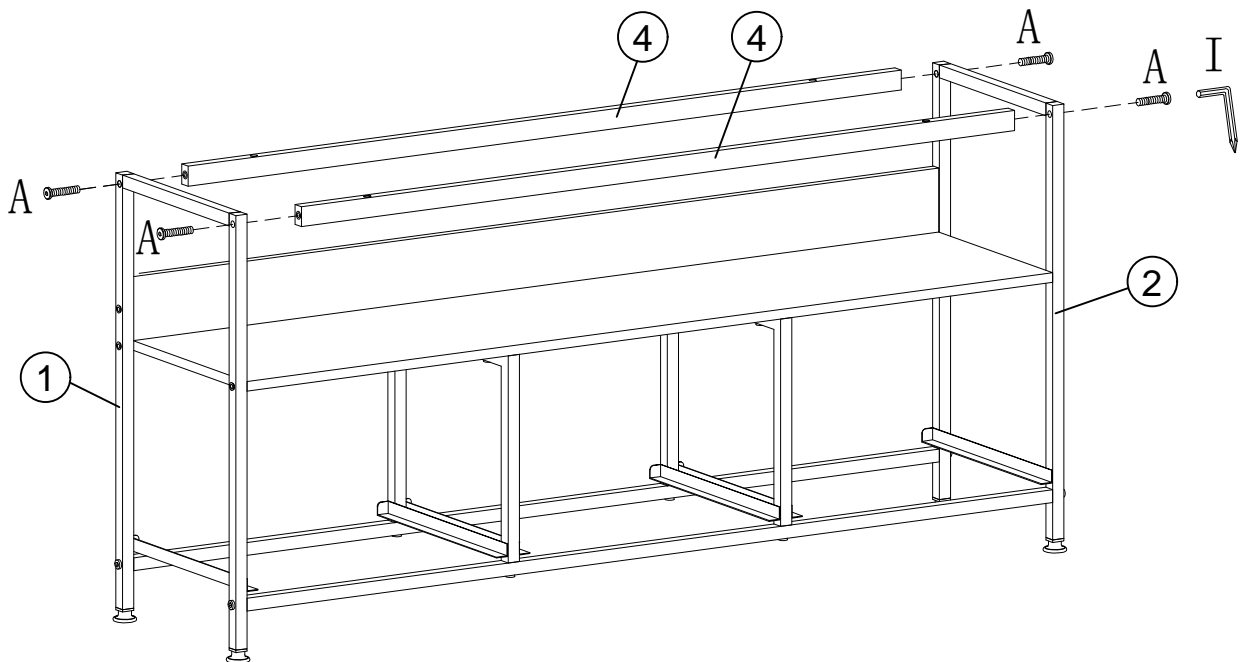


PRODUCT ASSEMBLY

3

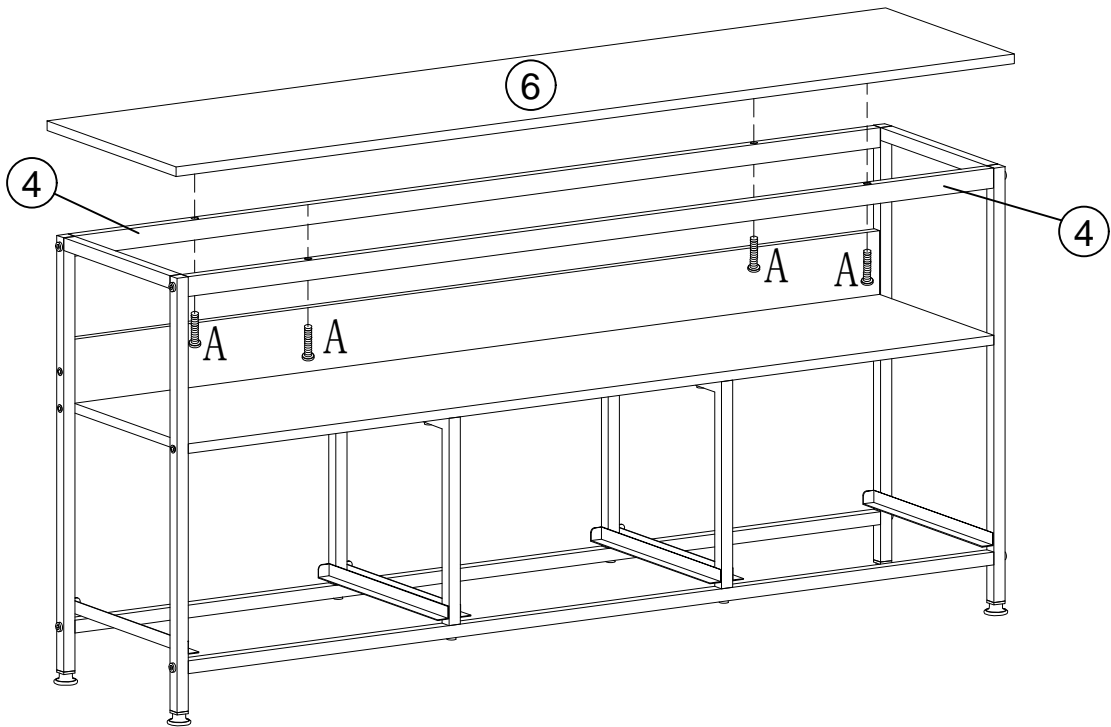


4

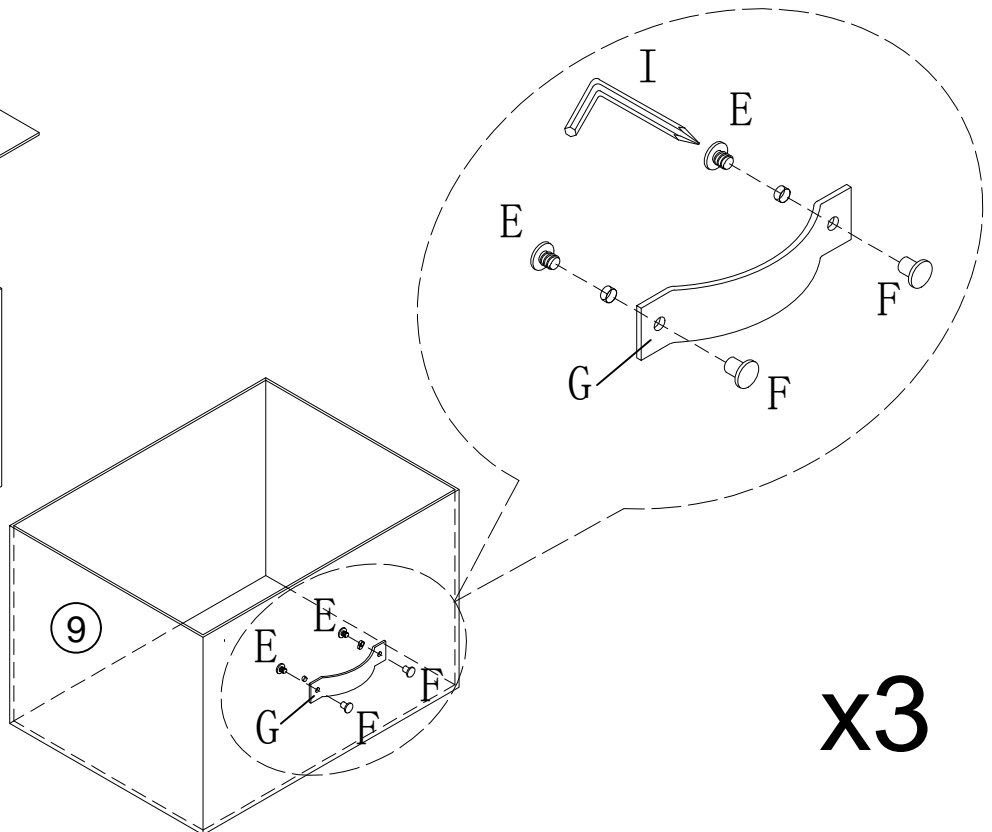
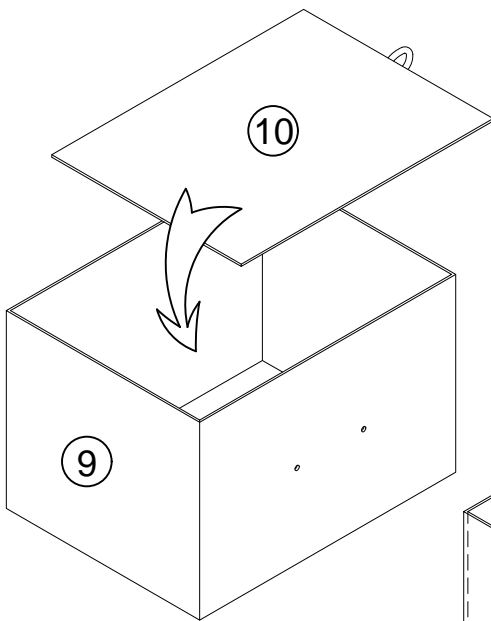


PRODUCT ASSEMBLY

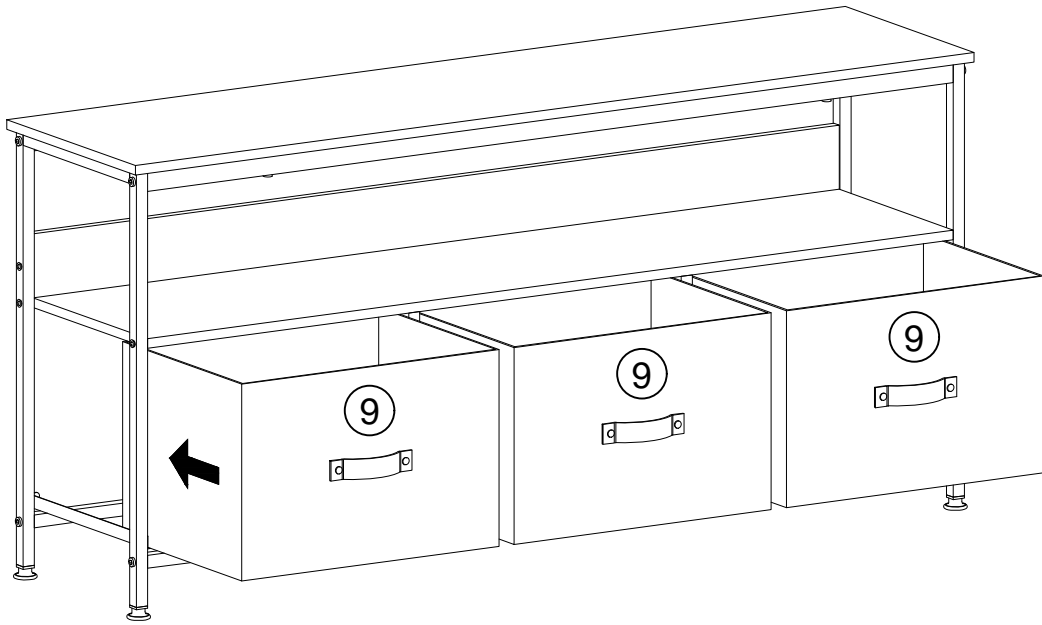
5



6



7



8

