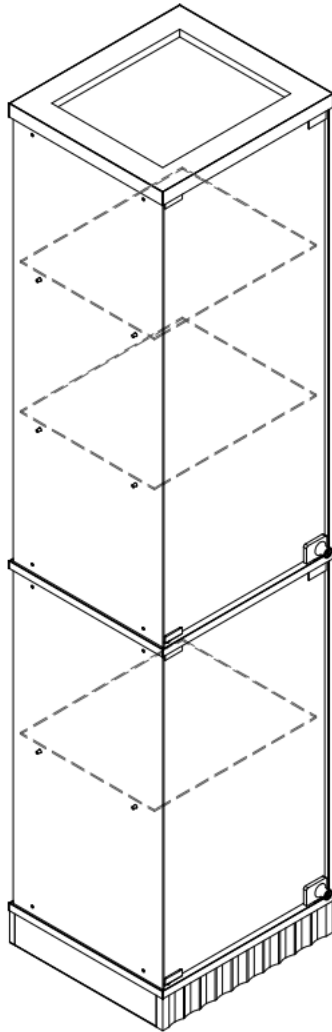
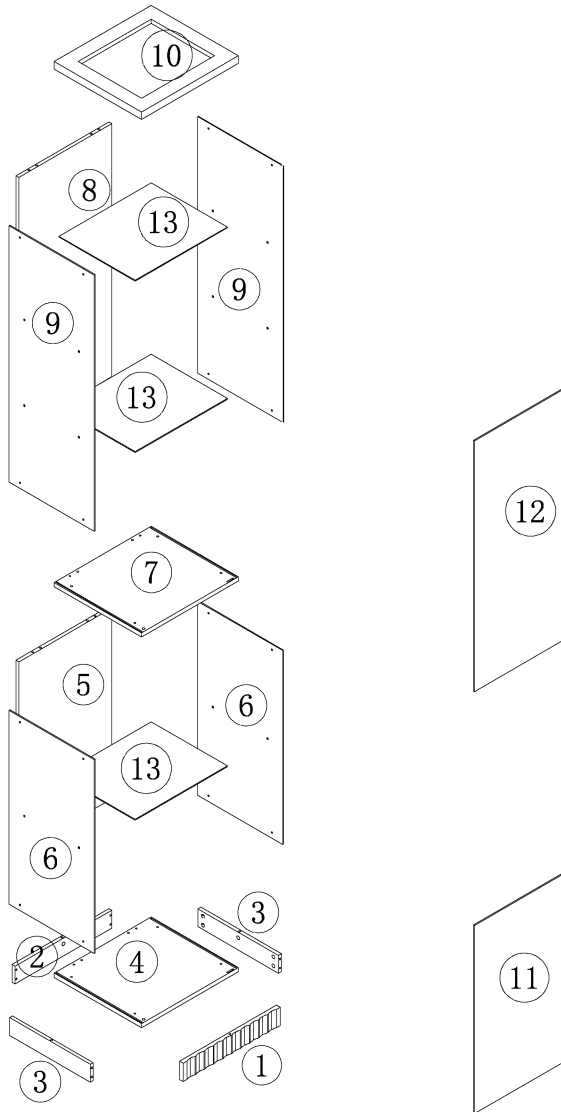


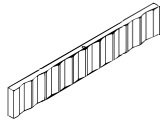
Product structure decomposition



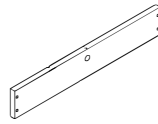
Product structure decomposition



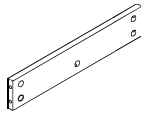
Product structure decomposition



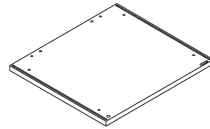
1 x 1



2 x 1



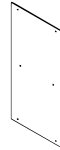
3 x 2



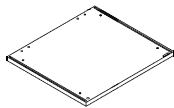
4 x 1



5 x 1



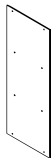
6 x 2



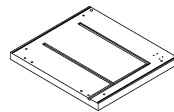
7 x 1



8 x 1



9 x 2



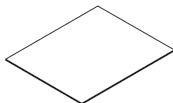
10 x 1



11 x 1

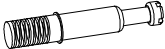



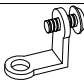


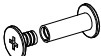
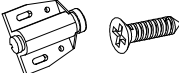
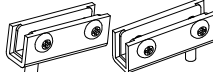

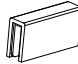
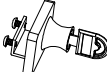



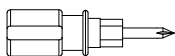
12 x 1



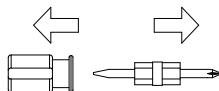
13 x 3

Accessories list

A		Two In One Screw(6x28mm)	20pcs
B		Two In One Nut(10x12mm)	20pcs
C		Wood Chipping	8pcs
D		Foot rubber pad	4pcs
E		corner brace fastener	16pcs
E		Screw (M4x8)	8pcs
F		gasket	16pcs
G		Screw (5x15mm)	4pcs
H		Rebound device & Screw(3x16mm)	2pcs-8pcs
H		hinge	2pcs-2pcs
H		Iron sheet	4pcs
H		Iron sheet	2pcs
I		Lock	2pcs
J		shelf bracket & Screw(M6X16mm)	12pcs

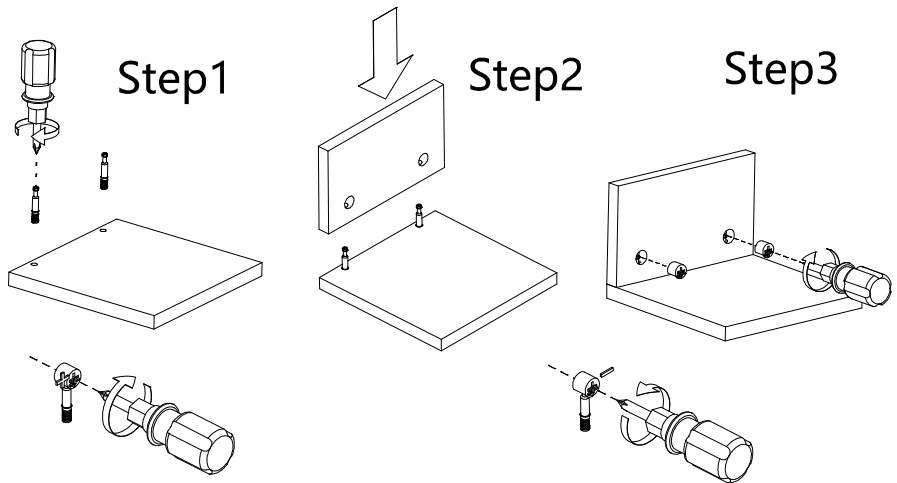


1pcs



Double-head screwdriver, use as required

Use parts ① and ②

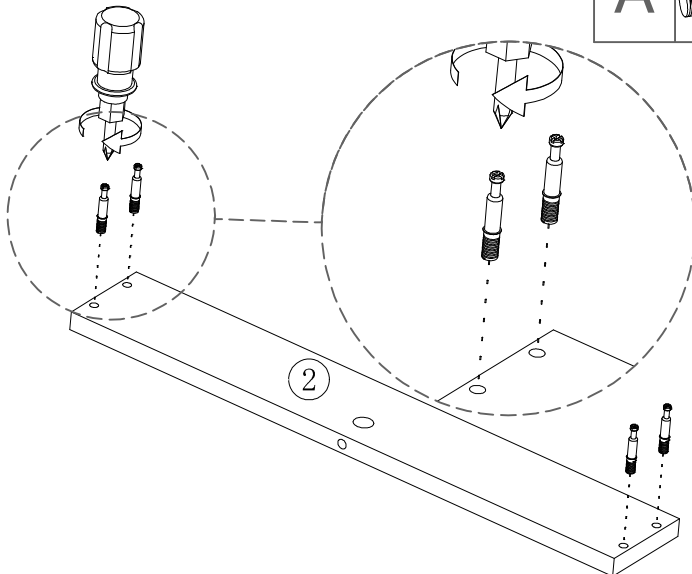


Use a screwdriver to lock in the direction of the "+" sign

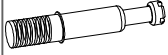
Disassemble along the direction of "-" sign

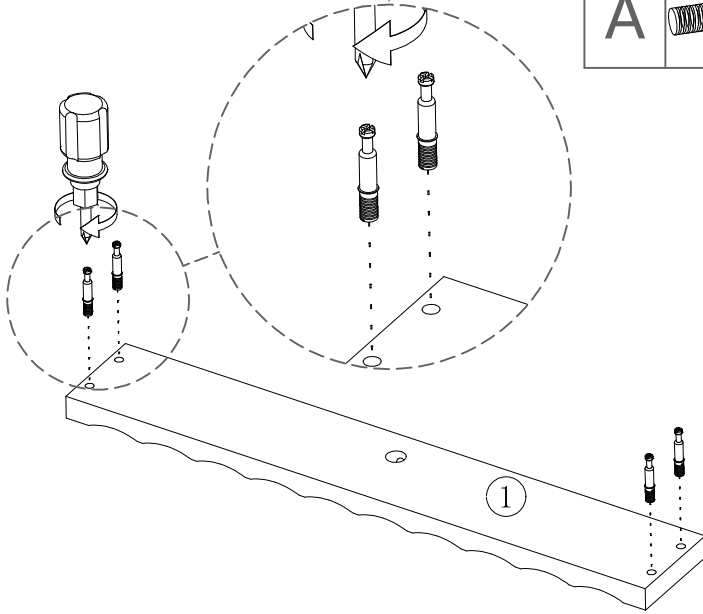
Step 1

code	Diagram	count
A		4



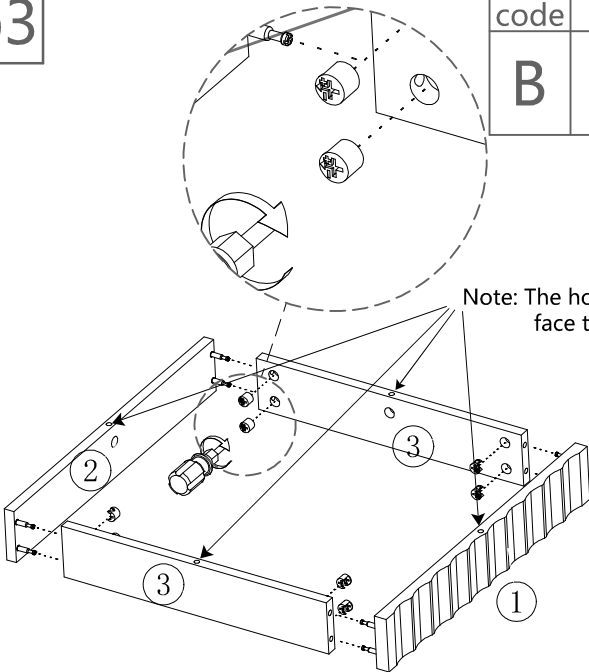
Step2

code	Diagram	count
A		4

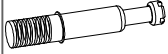


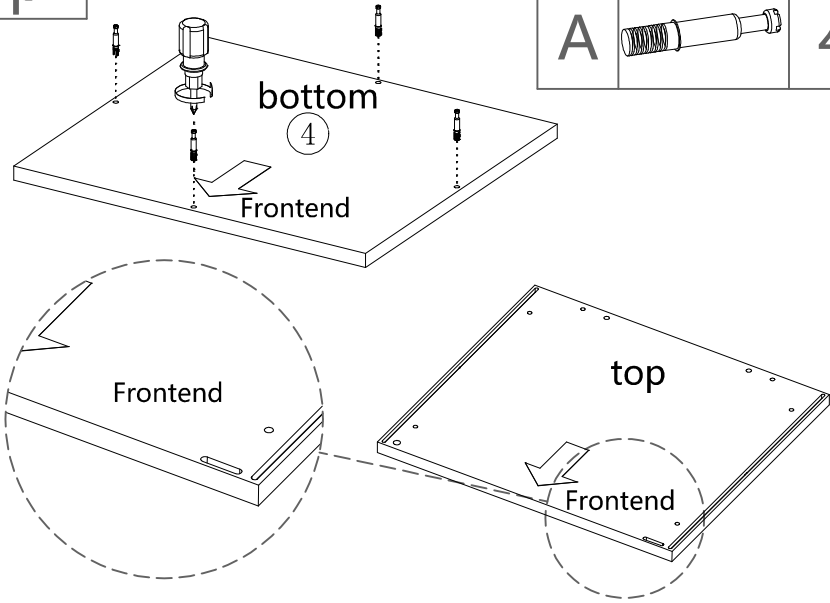
Step3

code	Diagram	count
B		8





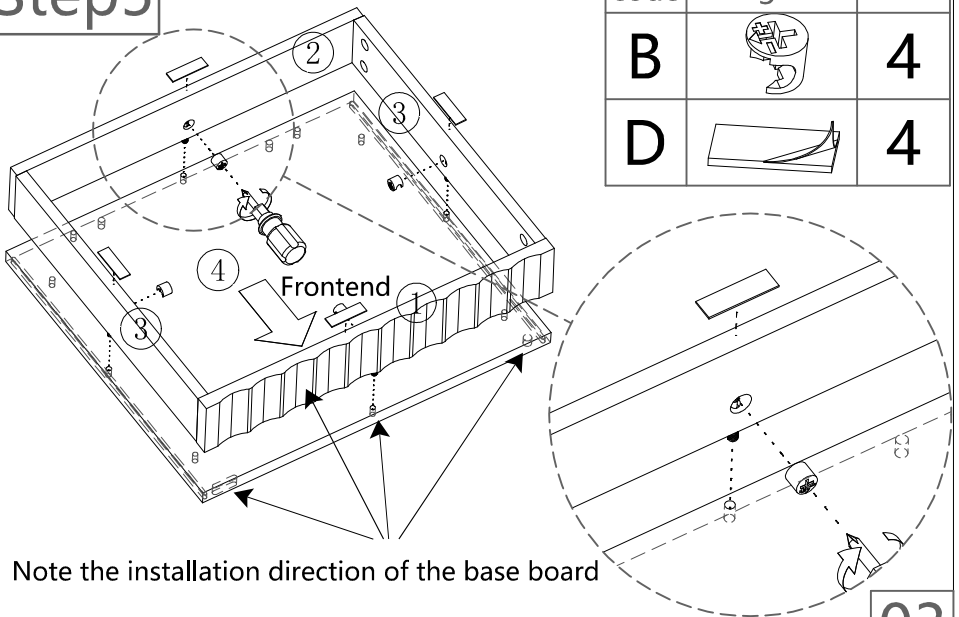
Step4

code	Diagram	count
A		4

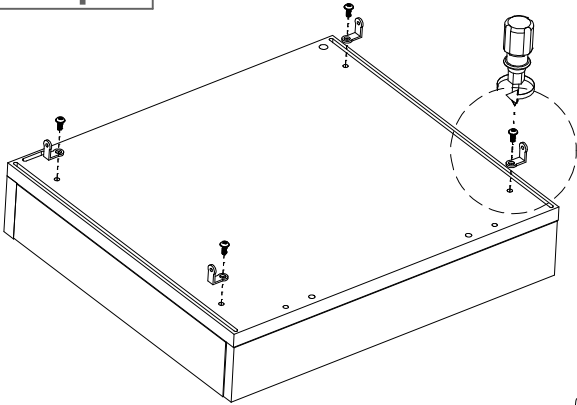



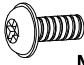
Step5

code	Diagram	count
B		4
D		4



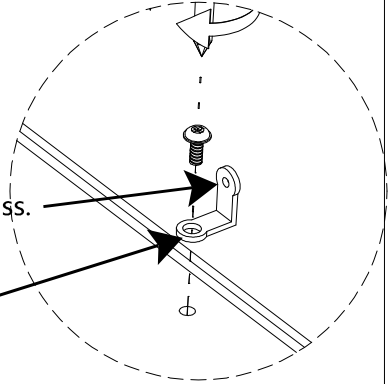
Step6



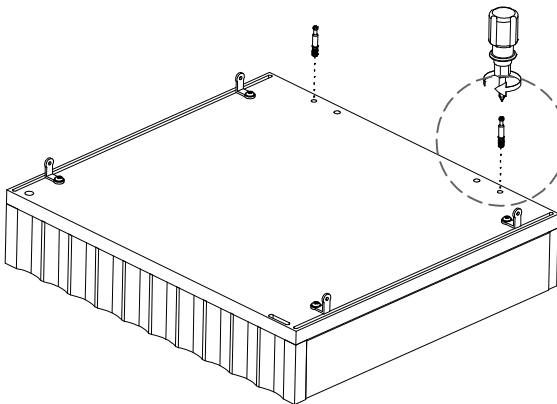
code	Diagram	count
E		4
E	 M4X8	4

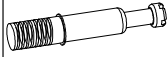
Note: The small hole is for fixed-installation glass.

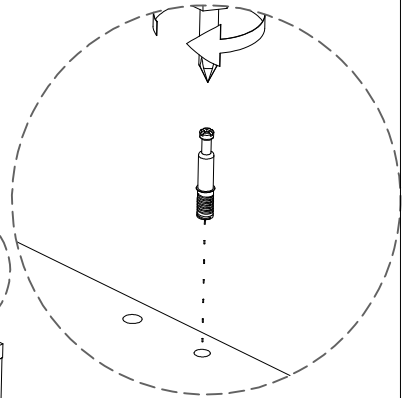
Note: The large hole is for fixed-installation on the wooden board.



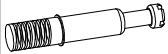
Step7

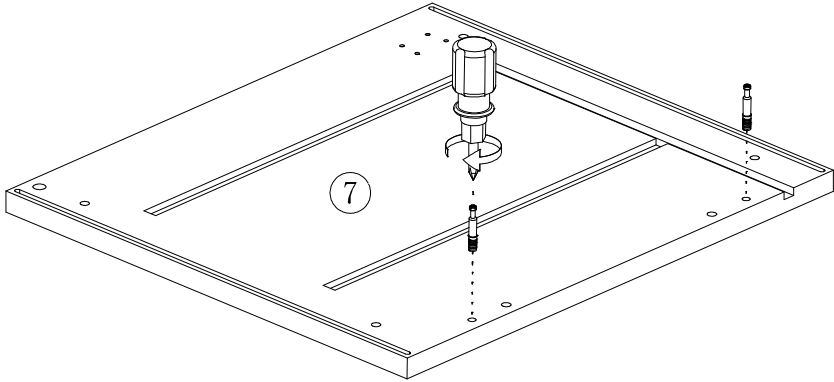


code	Diagram	count
A		2

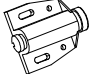



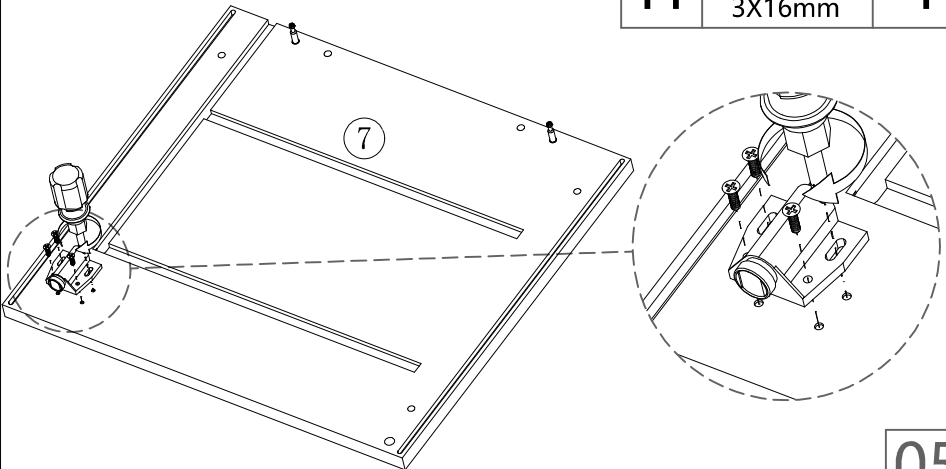
Step8

code	Diagram	count
A		2





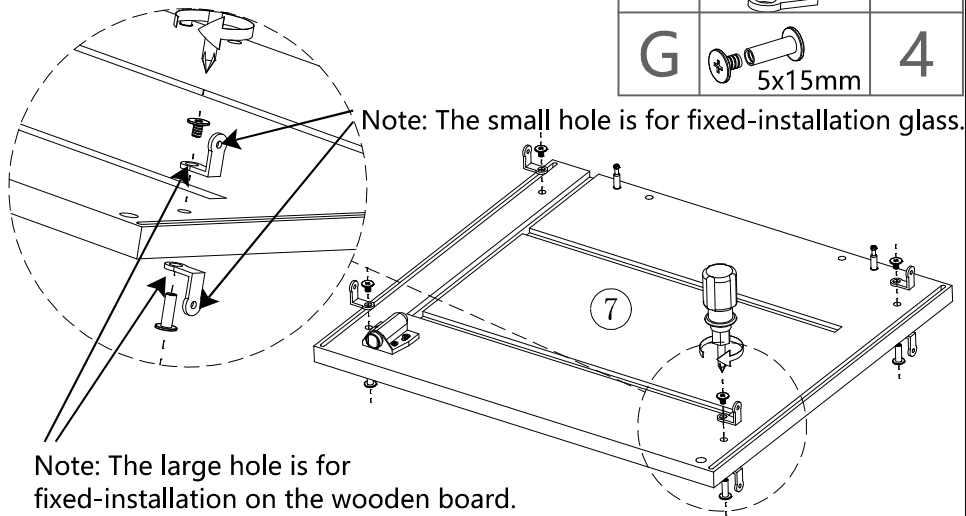
Step9

code	Diagram	count
H		1
H	 3X16mm	4






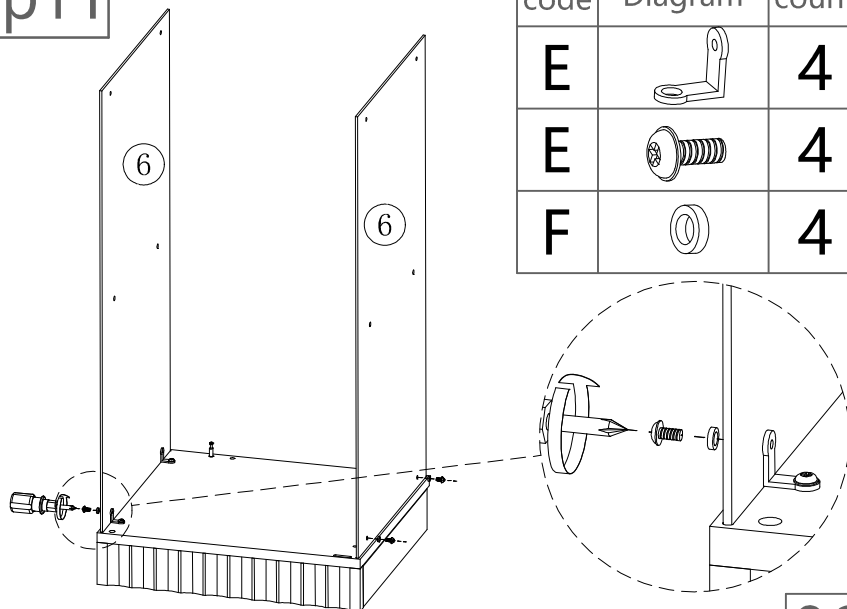
Step 10

code	Diagram	count
E		8
G	 5x15mm	4

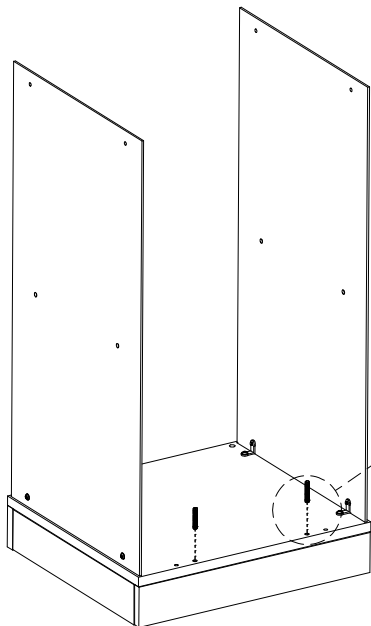



Step 11

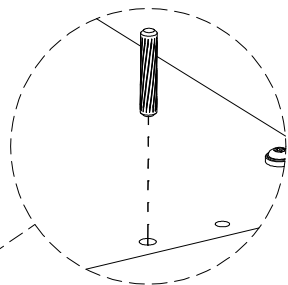
code	Diagram	count
E		4
E		4
F		4



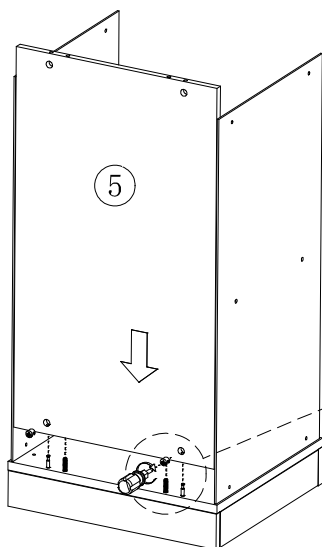
Step 12




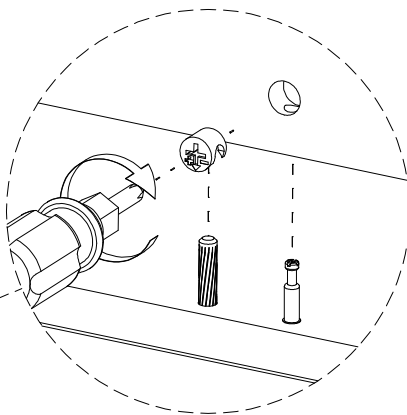
code	Diagram	count
C		2




Step 13

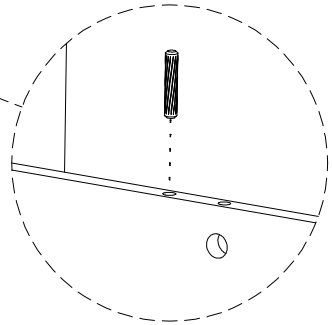
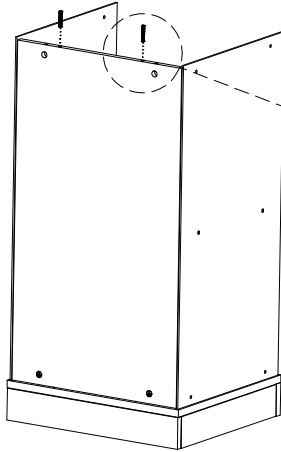


code	Diagram	count
B		2





Step 14

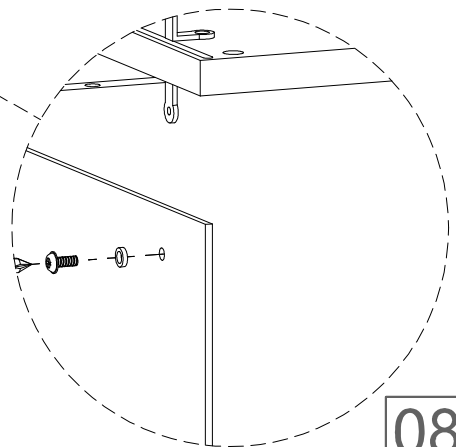
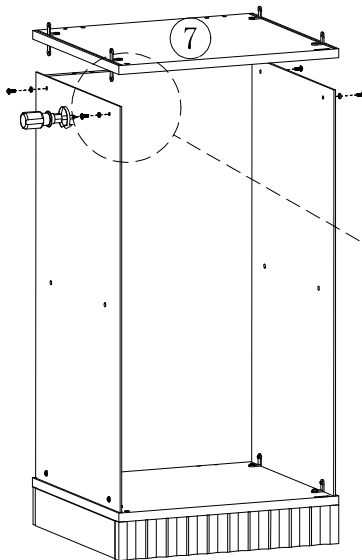
code	Diagram	count
C		2



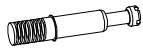

Step 15

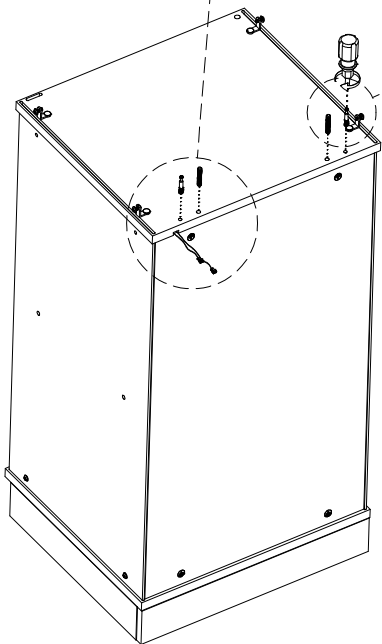
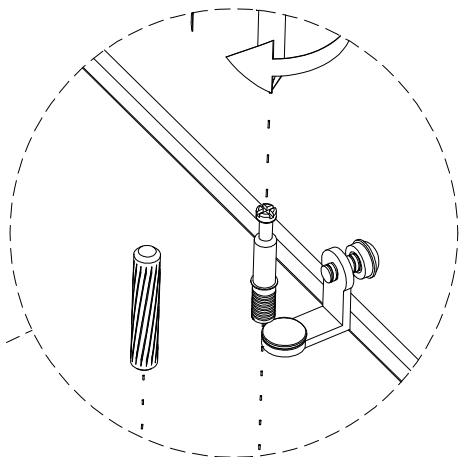
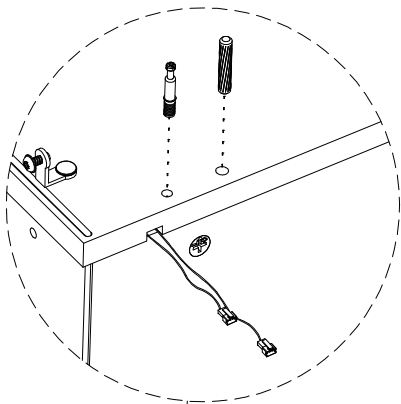
The light strip faces downward.

code	Diagram	count
E	 M4X8mm	4
F		4




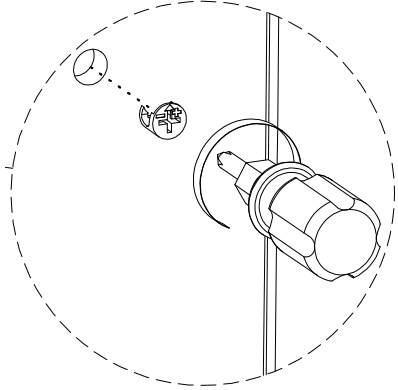
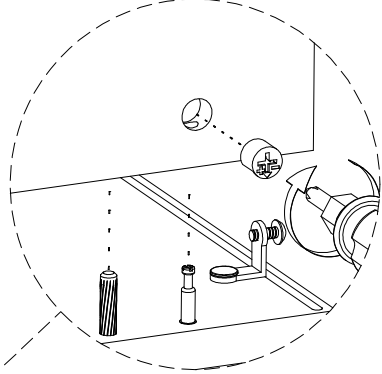
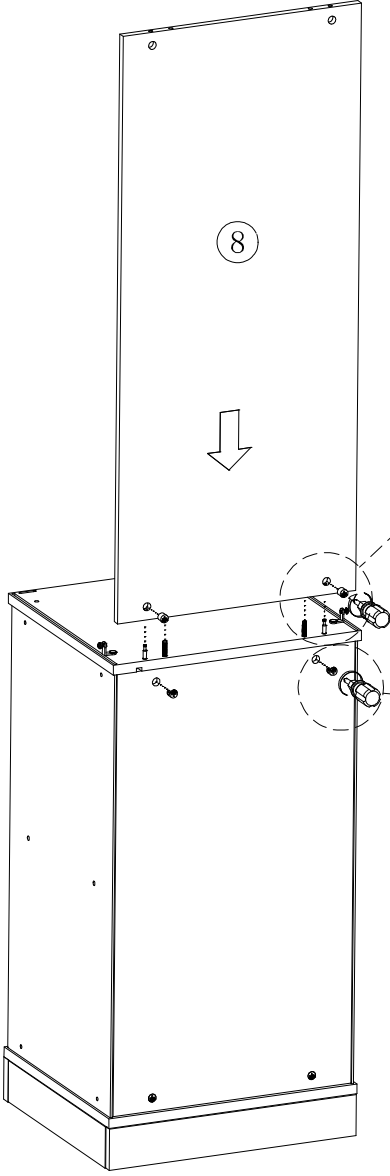
Step 16

code	Diagram	count
A		2
C		2

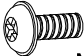



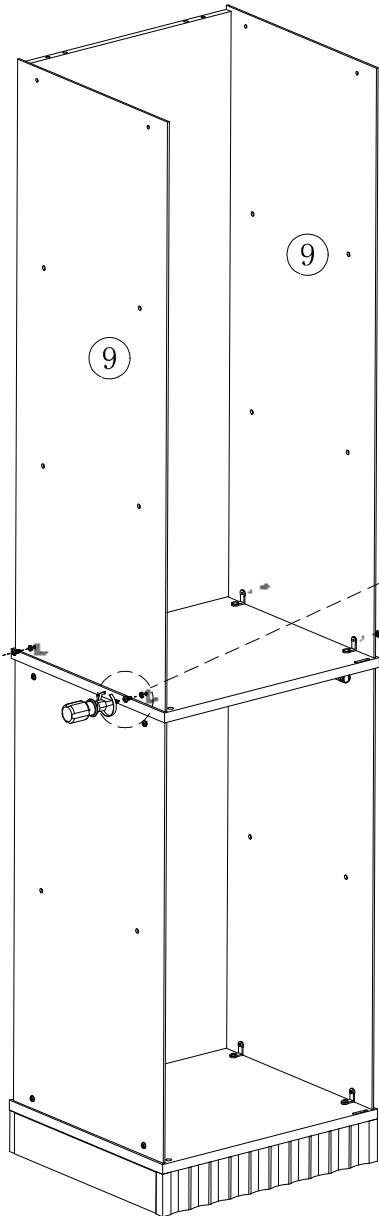
Step 17

code	Diagram	count
B		4




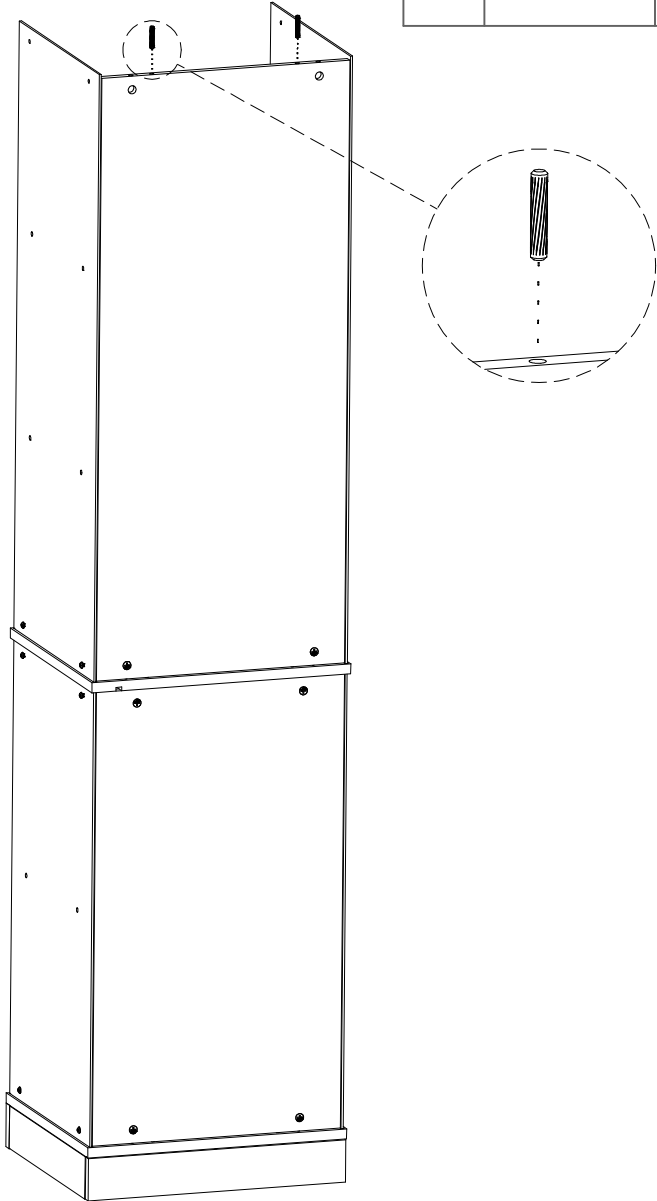
Step 18

code	Diagram	count
E	 M4X8	4
F		4

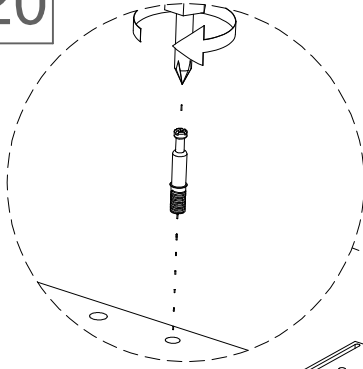


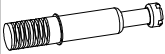
Step 19

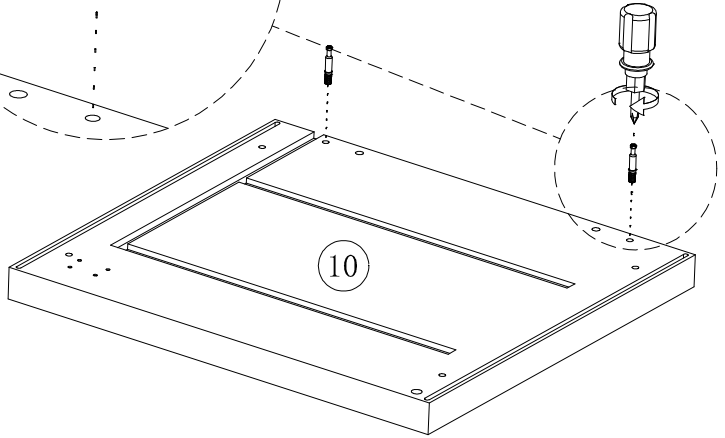
code	Diagram	count
C		2



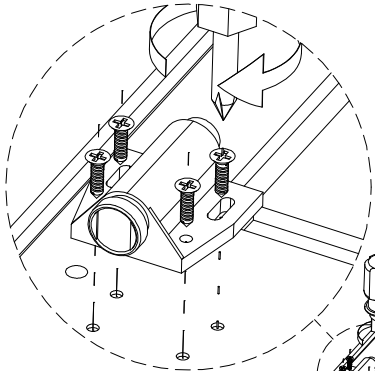
Step20

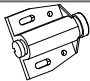



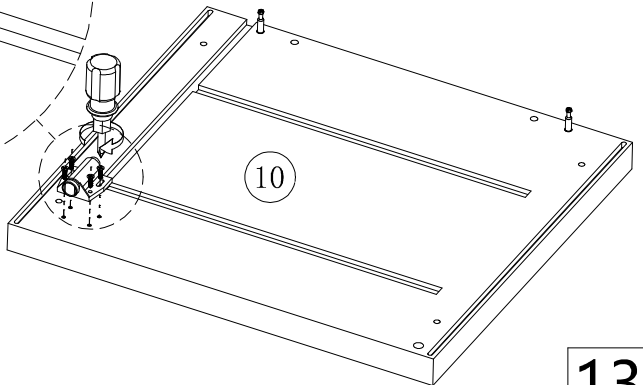
code	Diagram	count
A		2





Step21

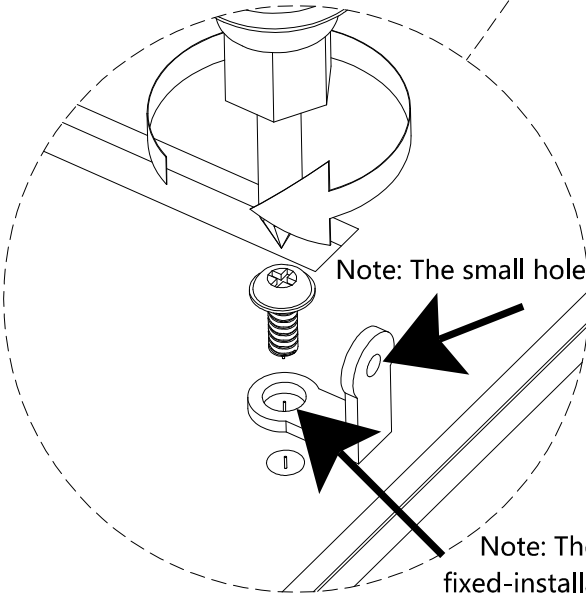
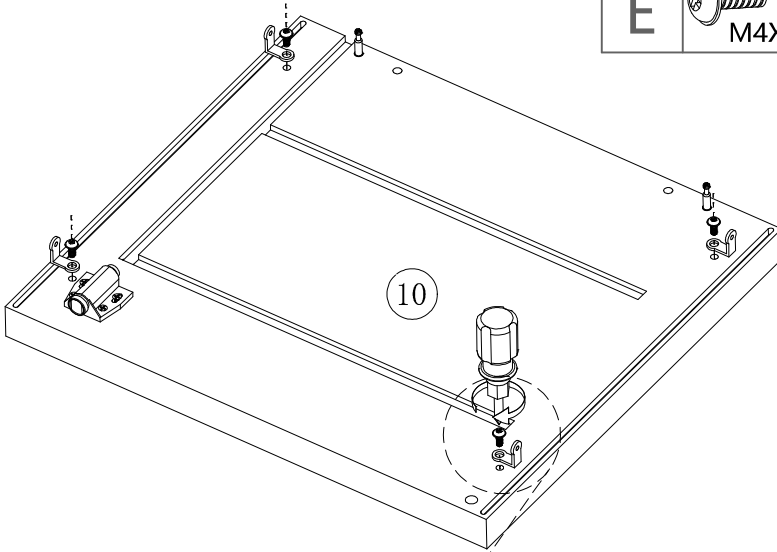


code	Diagram	count
H		1
H	 3X16mm	4



Step22




code	Diagram	count
E		4
E	 M4X8mm	4

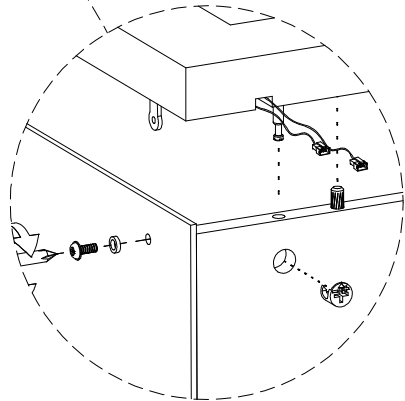
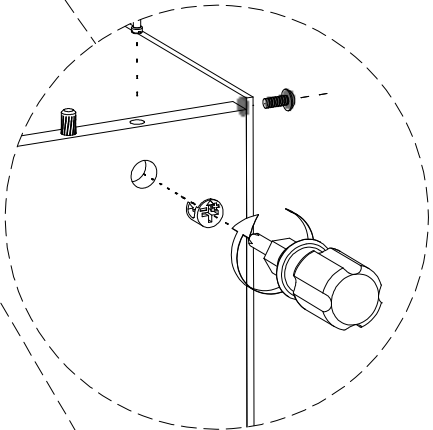
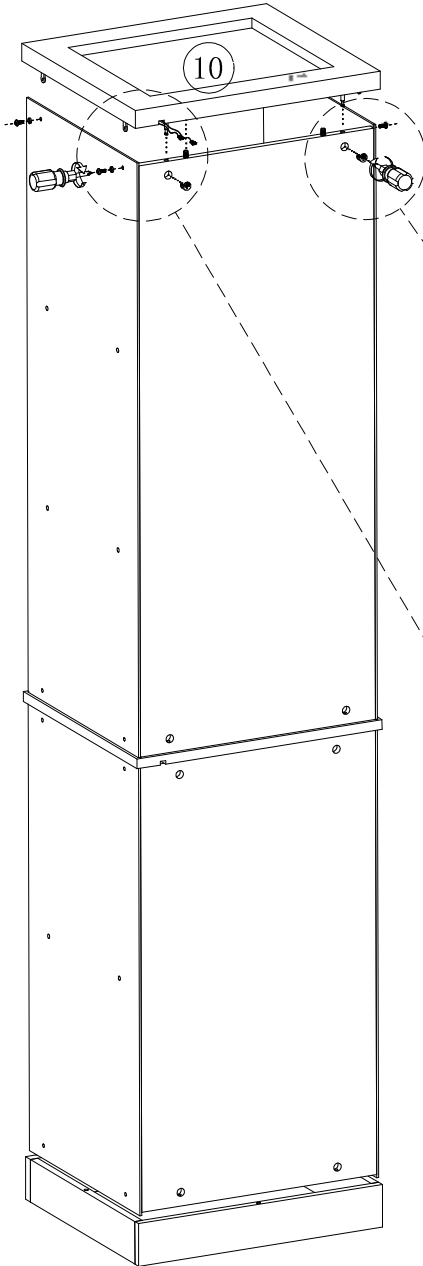


Note: The small hole is for fixed-installation glass.

Note: The large hole is for fixed-installation on the wooden board.

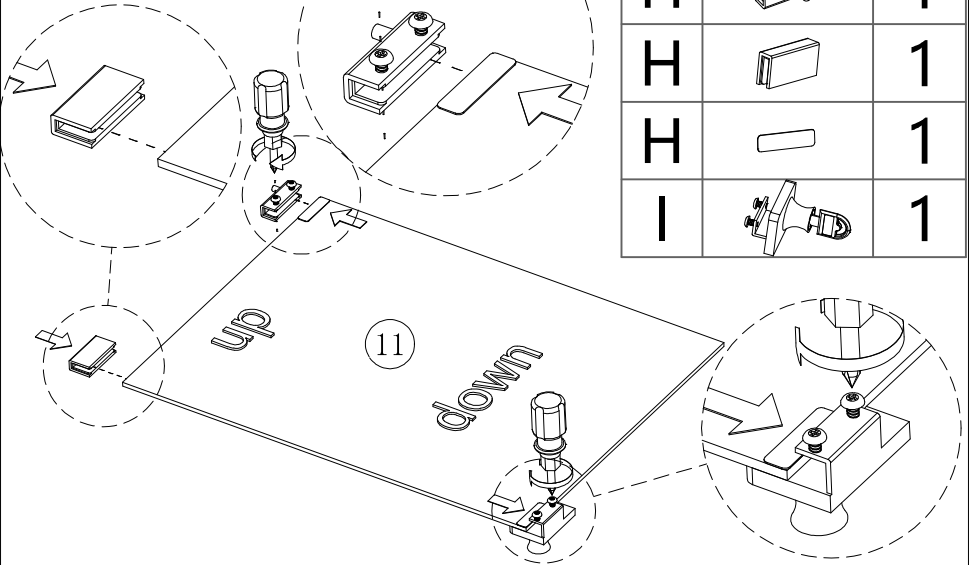
Step23

code	Diagram	count
B		2
E	 M4X8mm	4
F		4



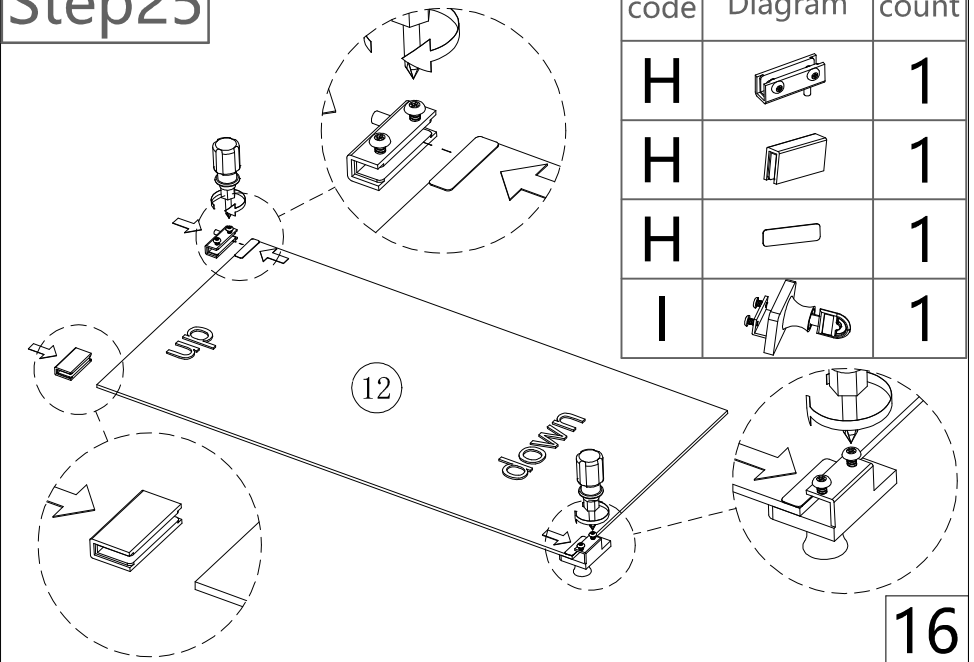
Step24

code	Diagram	count
H		1
H		1
H		1
I		1




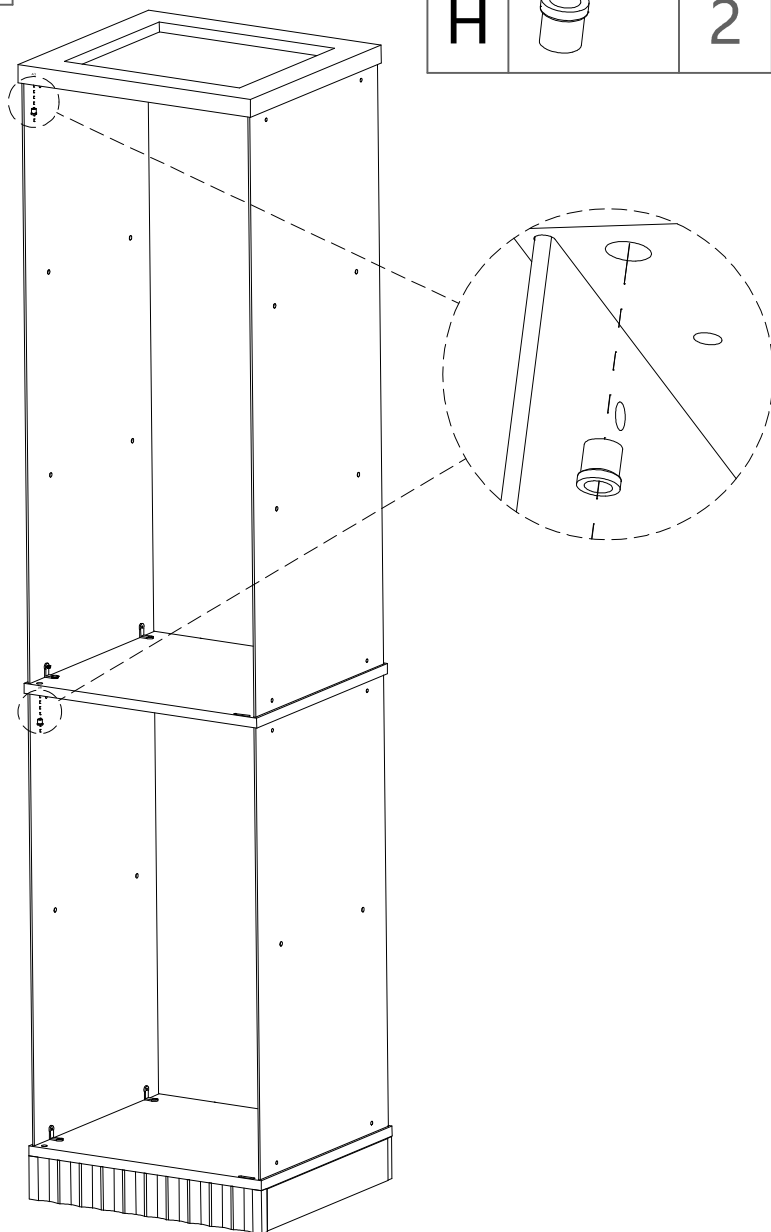
Step25

code	Diagram	count
H		1
H		1
H		1
I		1


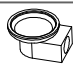



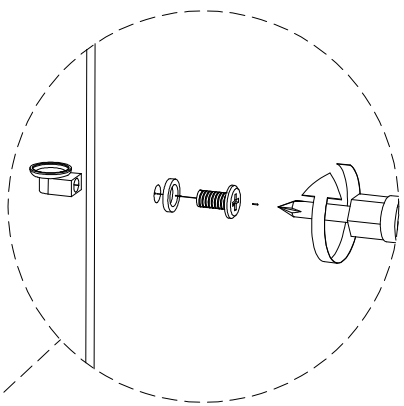
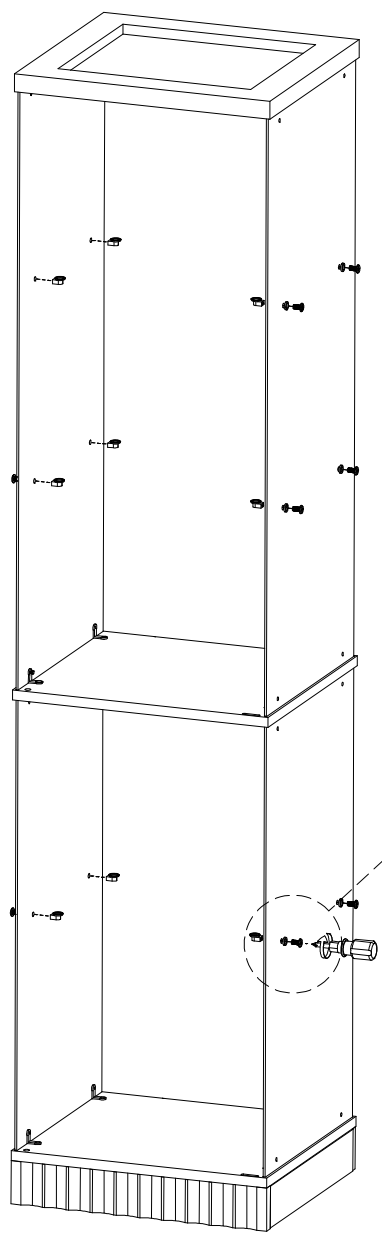
Step26

code	Diagram	count
H		2

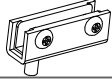
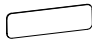



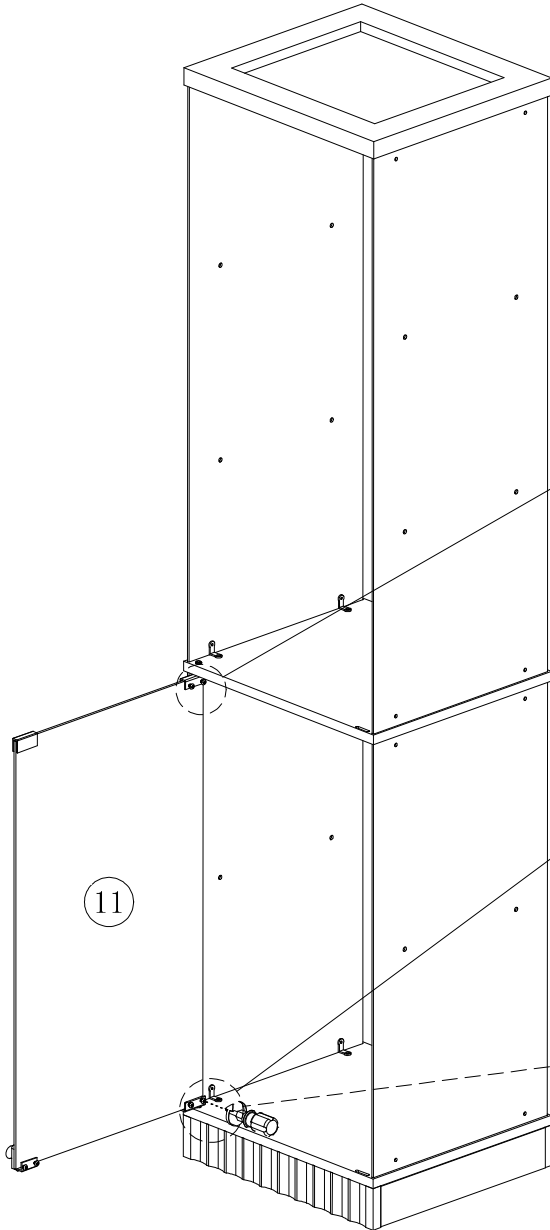
Step27

code	Diagram	count
J	 M6X16	12
J		12
J		12

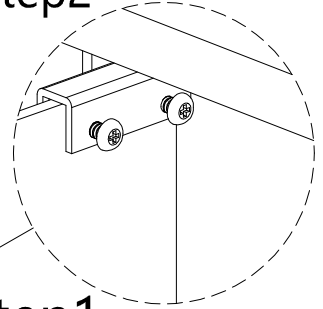


Step28

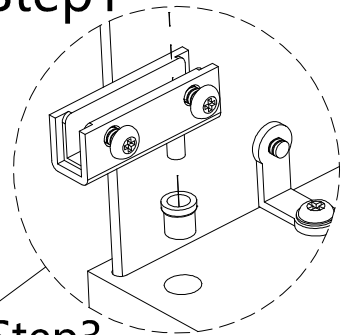
code	Diagram	count
H		1
H		1
H		1



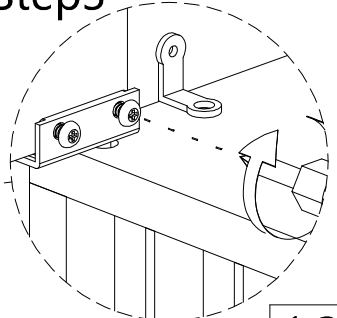
Step2



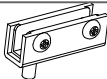


Step1

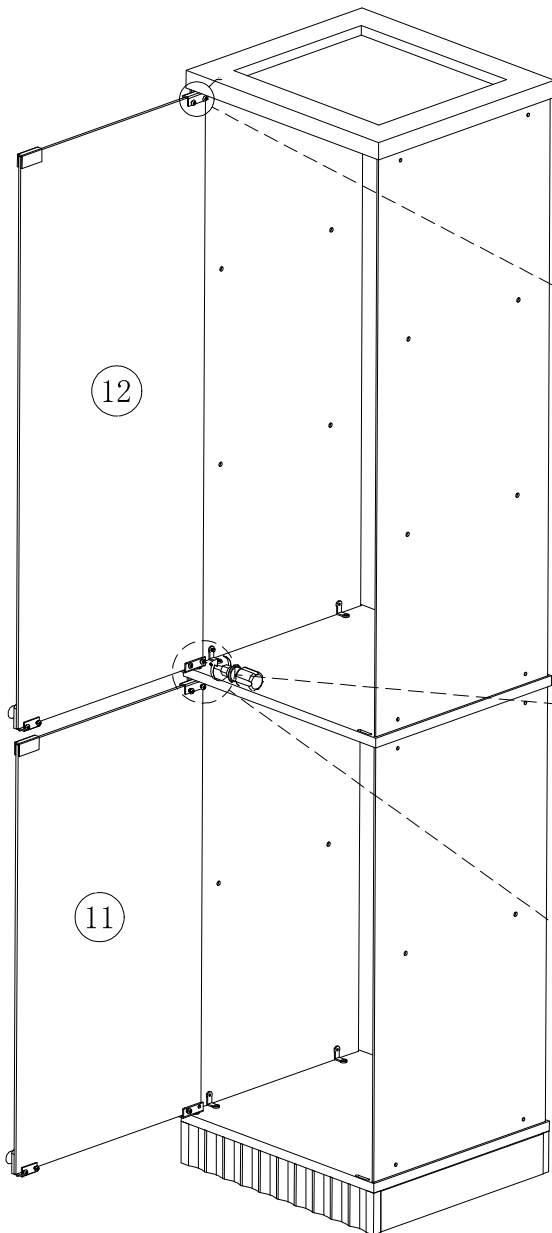


Step3

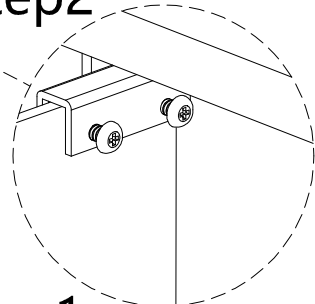


Step29

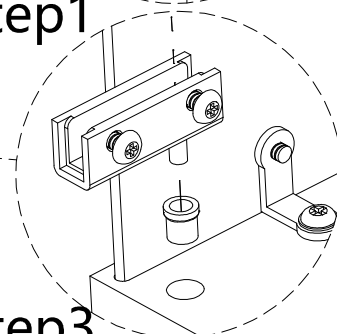
code	Diagram	count
H		1
H		1
H		1



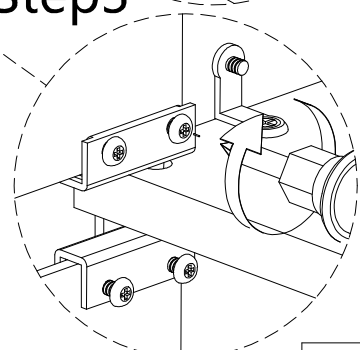
Step2



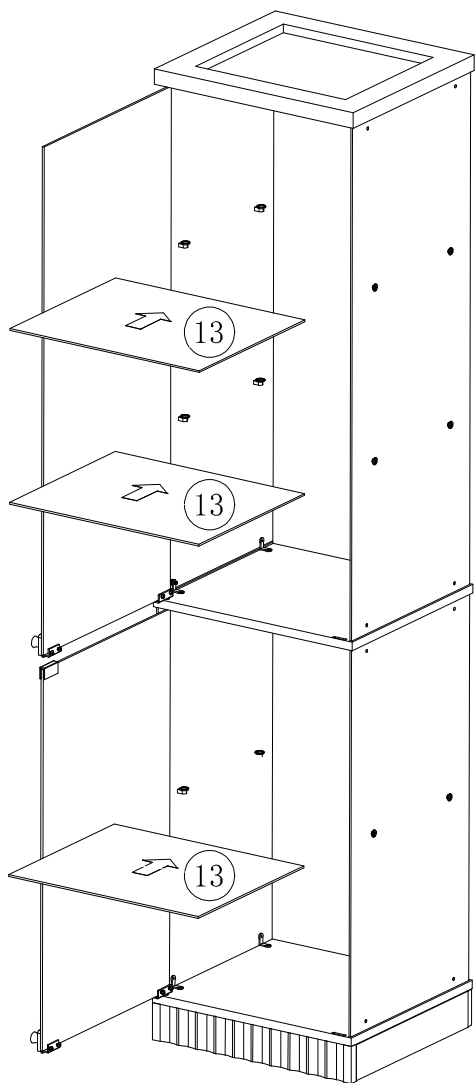
Step1





Step3

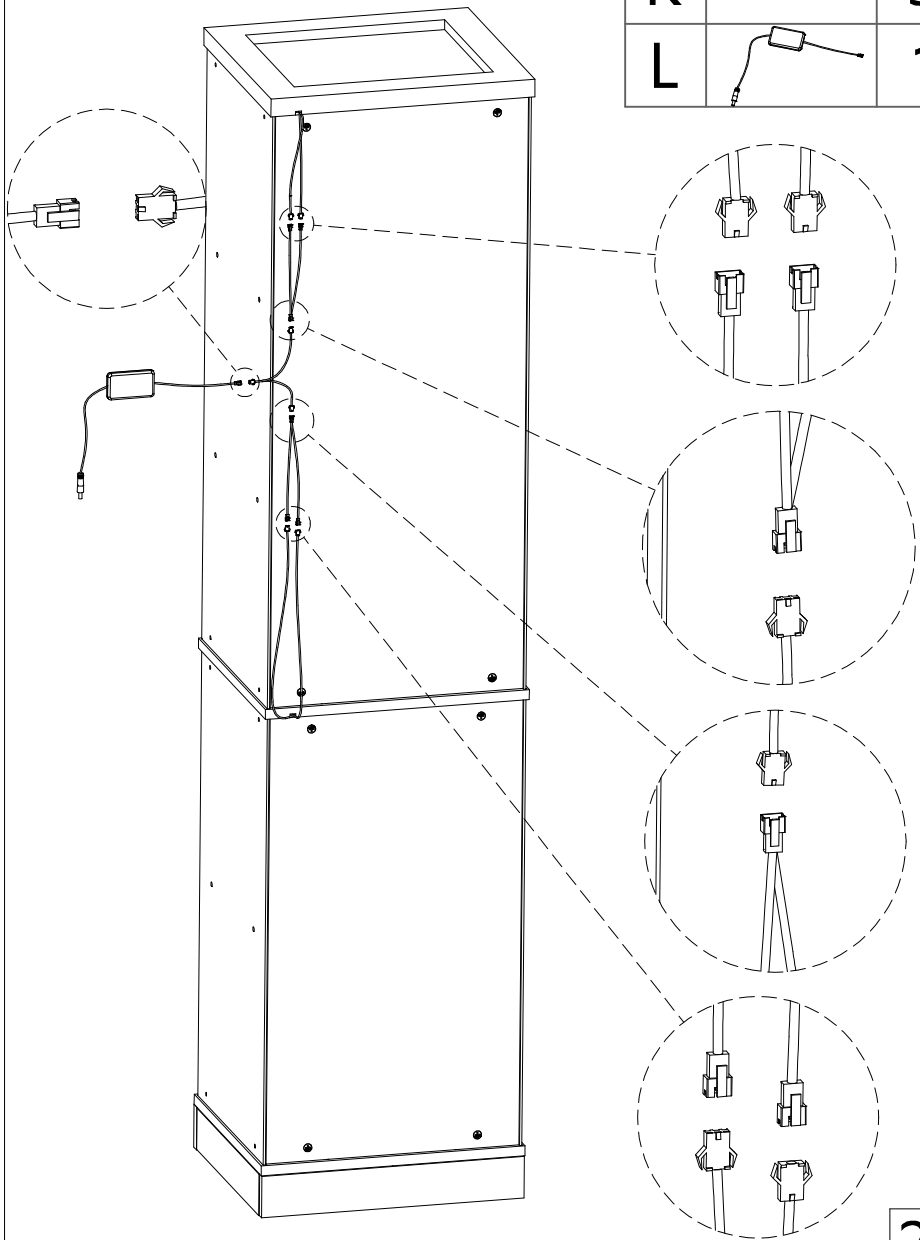


Step 30


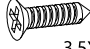



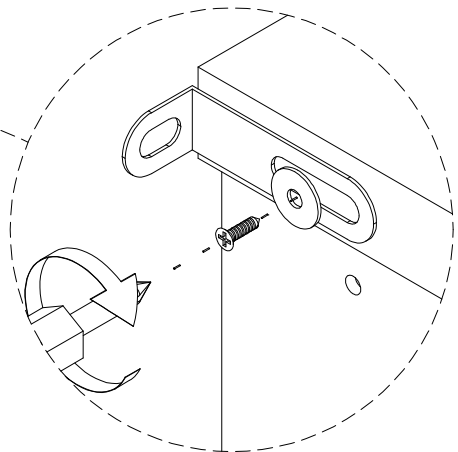
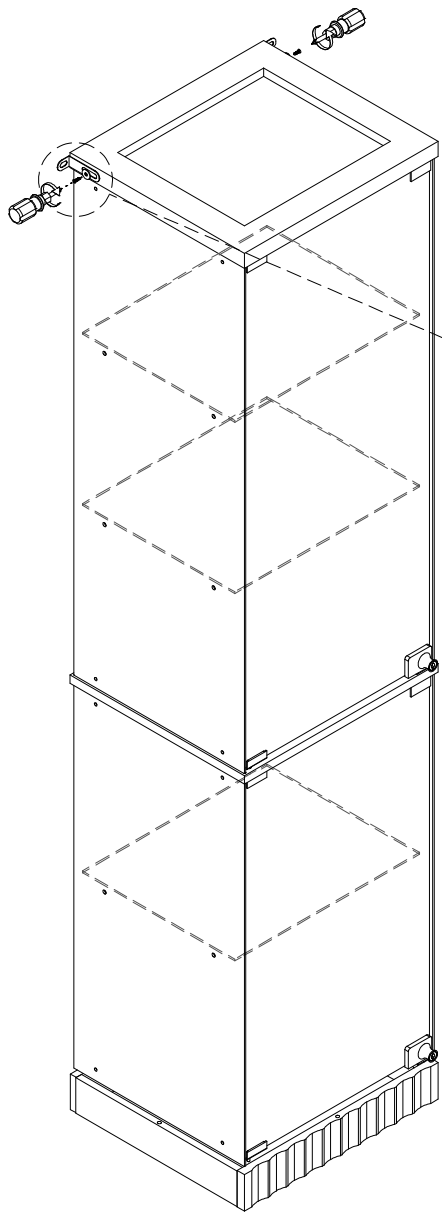
Step 31

code	Diagram	count
K		3
L		1

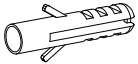


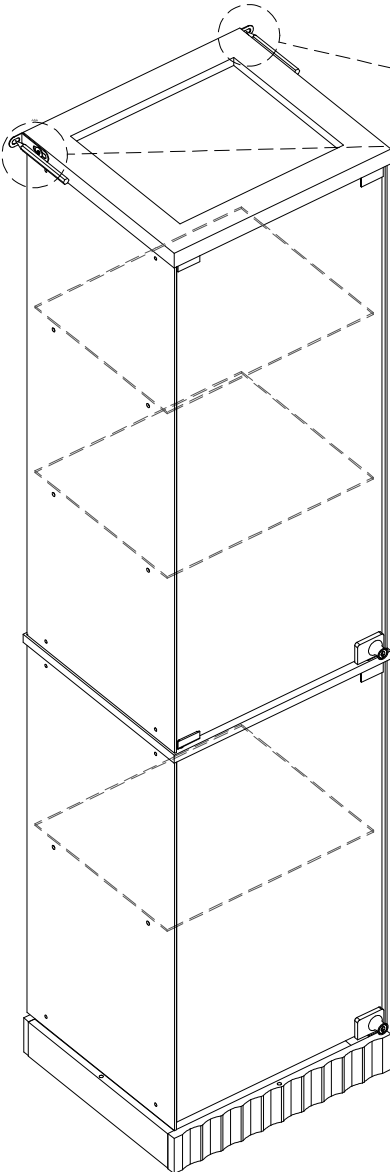
Step32

code	Diagram	count
O		2
O	 3.5X14mm	2
O		2

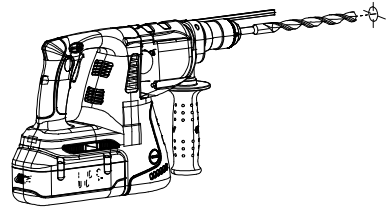


Step33

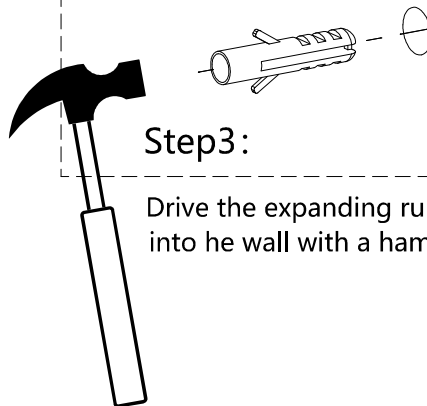
code	Diagram	count
O		2



Step1:
Mark the drilling holes with a marker pen





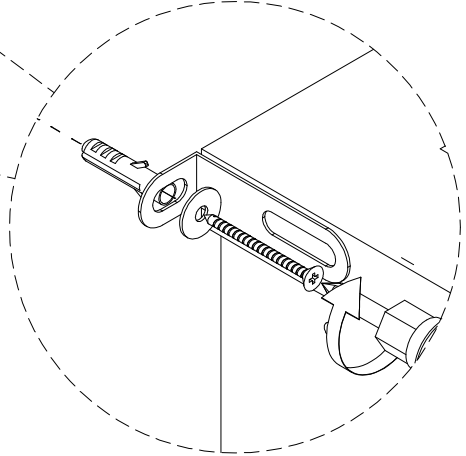
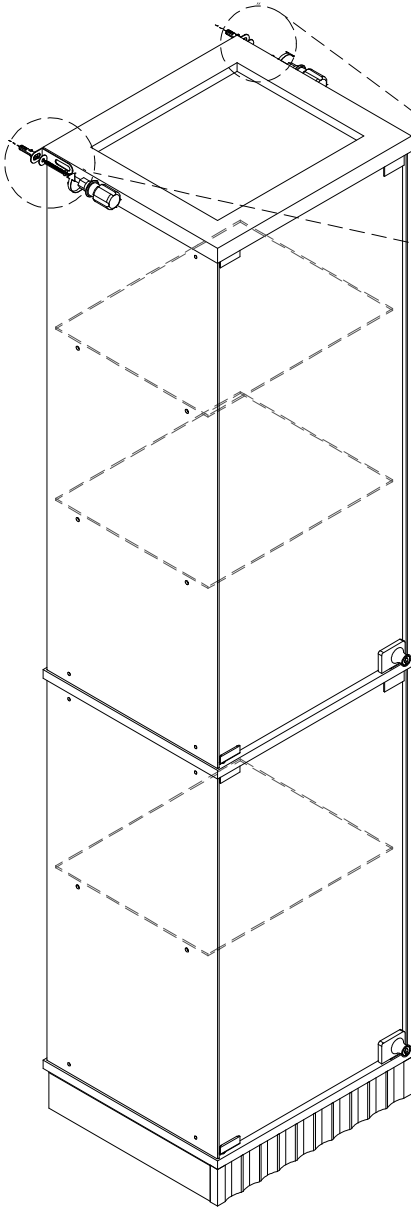
Step2:
Drill holes in the wall with an electric drill.



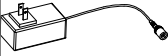
Step3:
Drive the expanding rubber tube into the wall with a hammer.

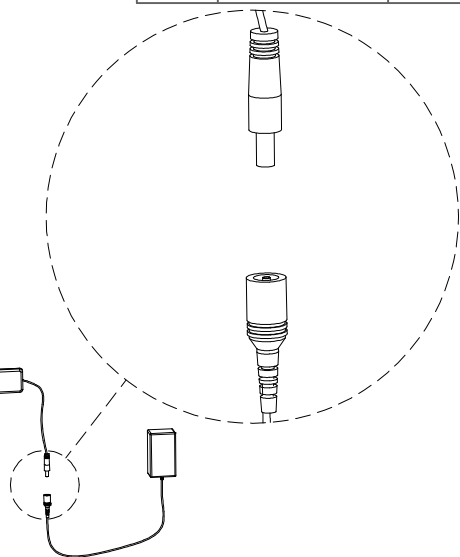
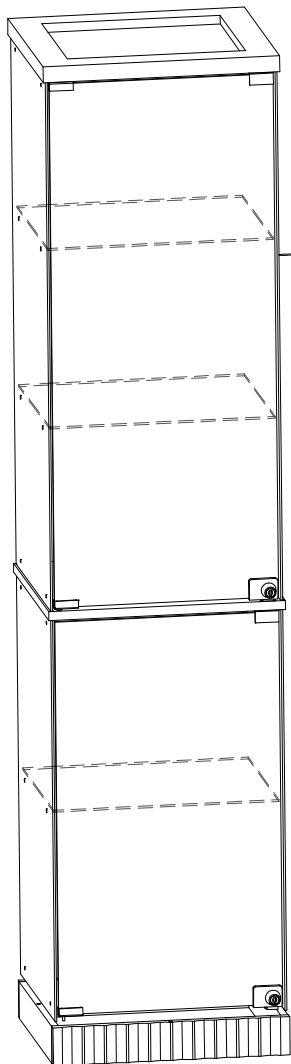
Step34

code	Diagram	count
O	 4x45mm	2
O		2

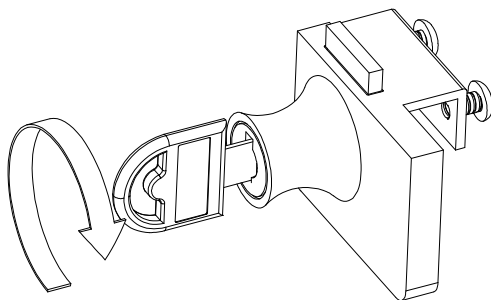


Step35

code	Diagram	count
M		1

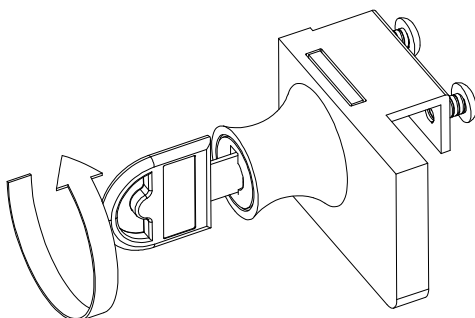


Locking Operation



Turn the key clockwise →
The lock core extends →
Lock the door.

Unlocking Operation:



Turn the key counterclockwise →
The lock core retracts to its original position →
Open the door