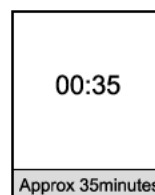
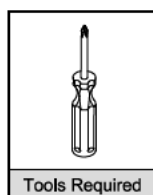
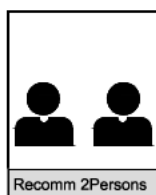
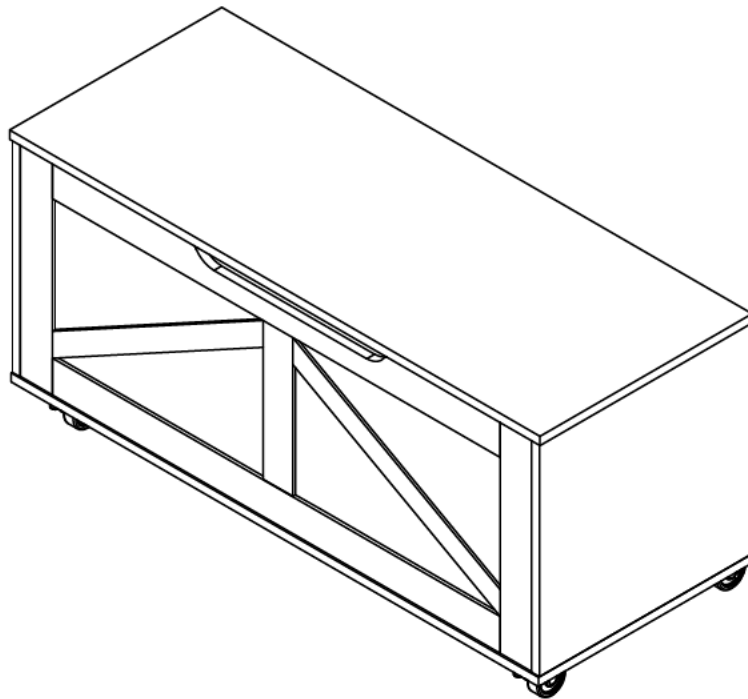


Assembly Instruction

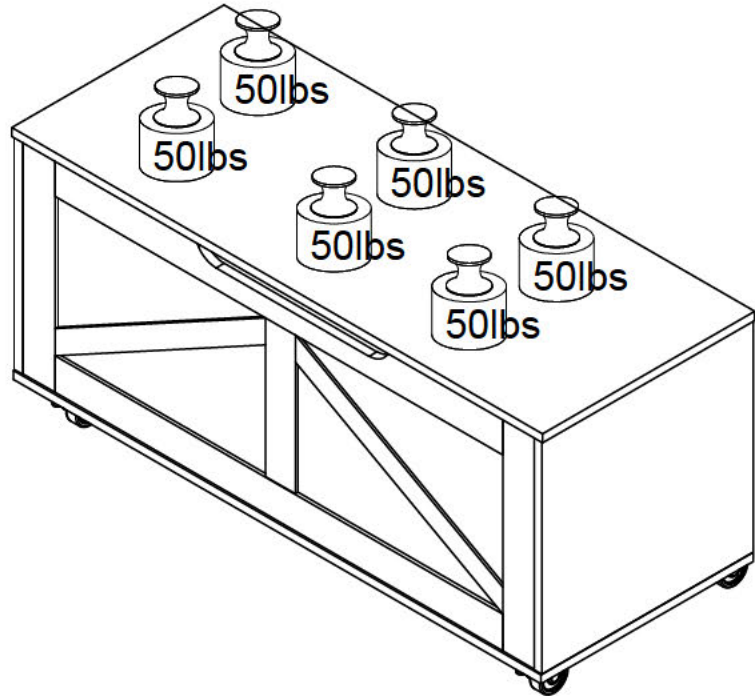
STORAGE BENCH



Recommended Maximum Weight



WARNING



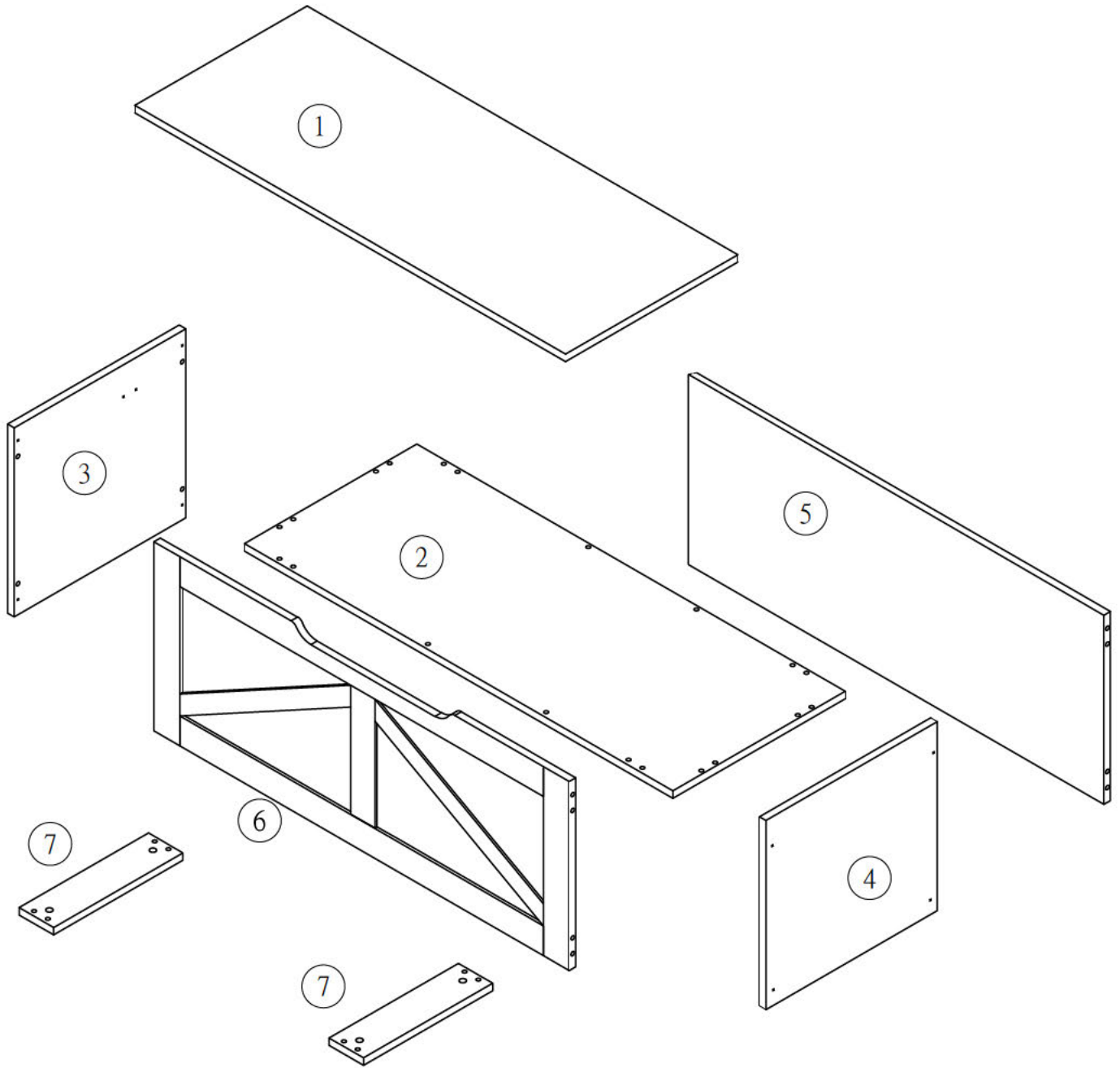
Read all instructions before using this product.

1. This unit has been designed to support the maximum loads shown. Exceeding these load limits could cause sagging, instability, product collapse, and/or serious injury.
2. Avoid sharp objects and corrosive chemicals to prevent damage to the product or bodily injury.
3. Not intended for use in humid environment to prevent mildew, such as bathrooms, laundry areas and similar indoor locations. Do not use outdoors.
4. Don't allow anybody stand or climb on the unit. Serious or fatal crushing injuries can occur from furniture tip over. To prevent tip over this furniture must be used with the wall attachment devices provided.

Useful Hints before you start:

1. Place soft packaging material on the floor to protect surface of product during assembly work.
2. It is important that each step is performed in correct order to avoid difficulties.
3. Align all screws with corresponding pre-drilled holes first and tighten.
4. Screws may become loose during long-term use, retighten them to ensure stability and security.
5. Using incompatible hardware might cause damage to product.

Parts Identification



Hardware Identification



Activity Caster
with Brake
B 4pcs



Flat Head Screw
C 20+2pcs



Wood Dowel
D 16+1pcs



Philip's Head Screw
E 24+2pcs



Hinge
F 2pcs



Philip's Head Screw
G 8+1pcs



Crooked Hand
H 1pc



Crooked Hand
I 1pc



Spanner
J 1pc



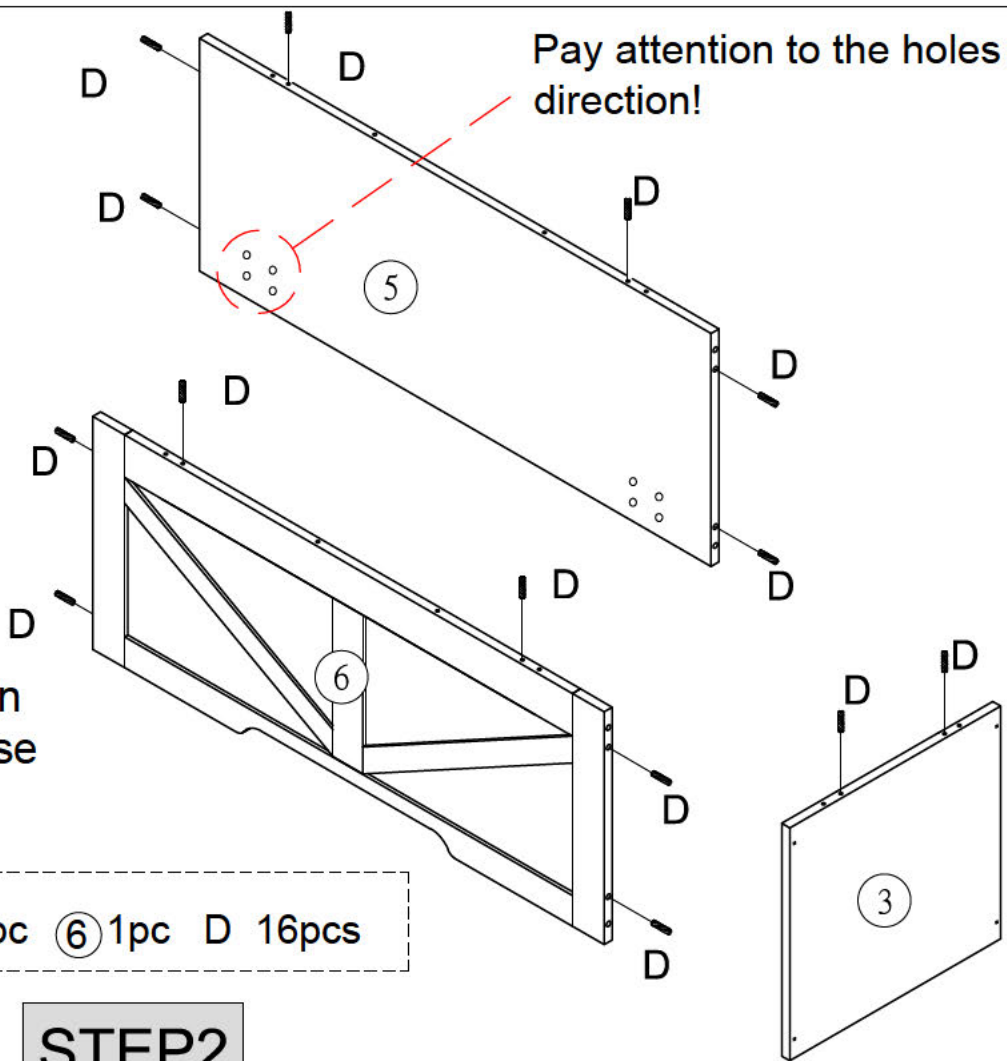
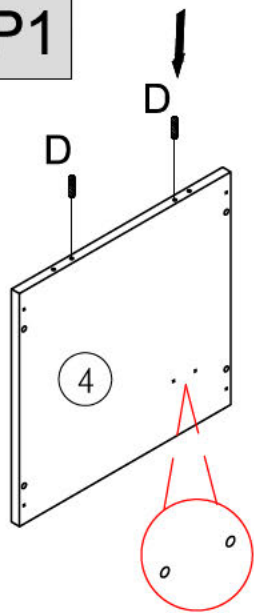
Adhesive Pad
K 4pcs



Allen Wrench
L 1pc

Extra hardware is enclosed for your convenience.

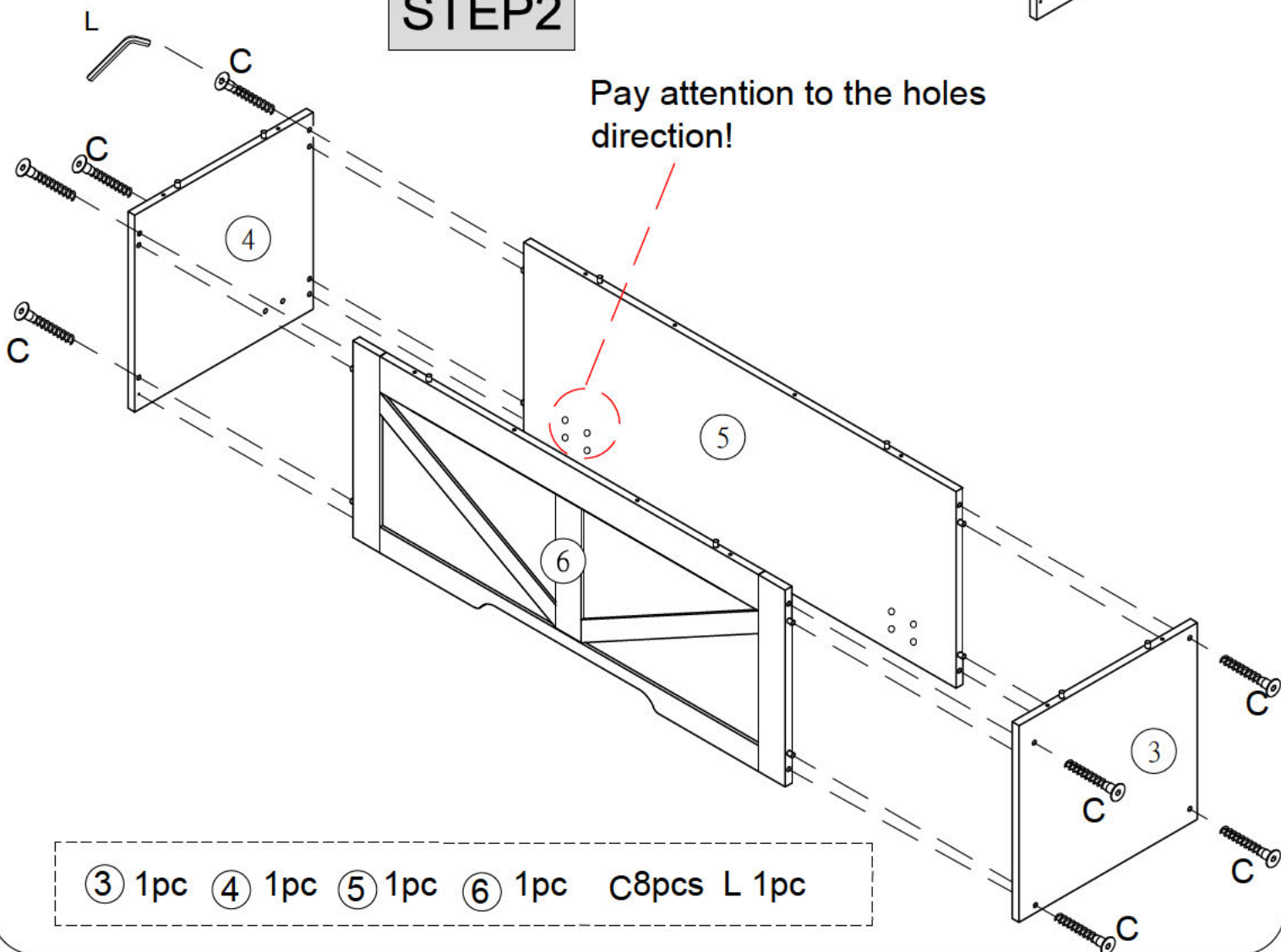
STEP1



If have any difficulty in inserting D, please use hammer to knock in.

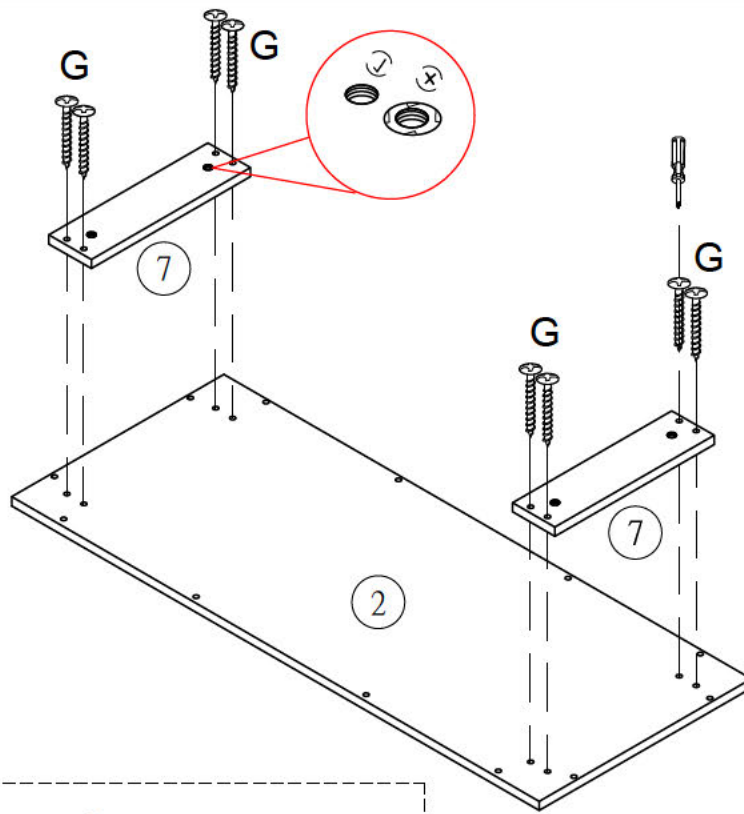
③ 1pc ④ 1pc ⑤ 1pc ⑥ 1pc D 16pcs

STEP2



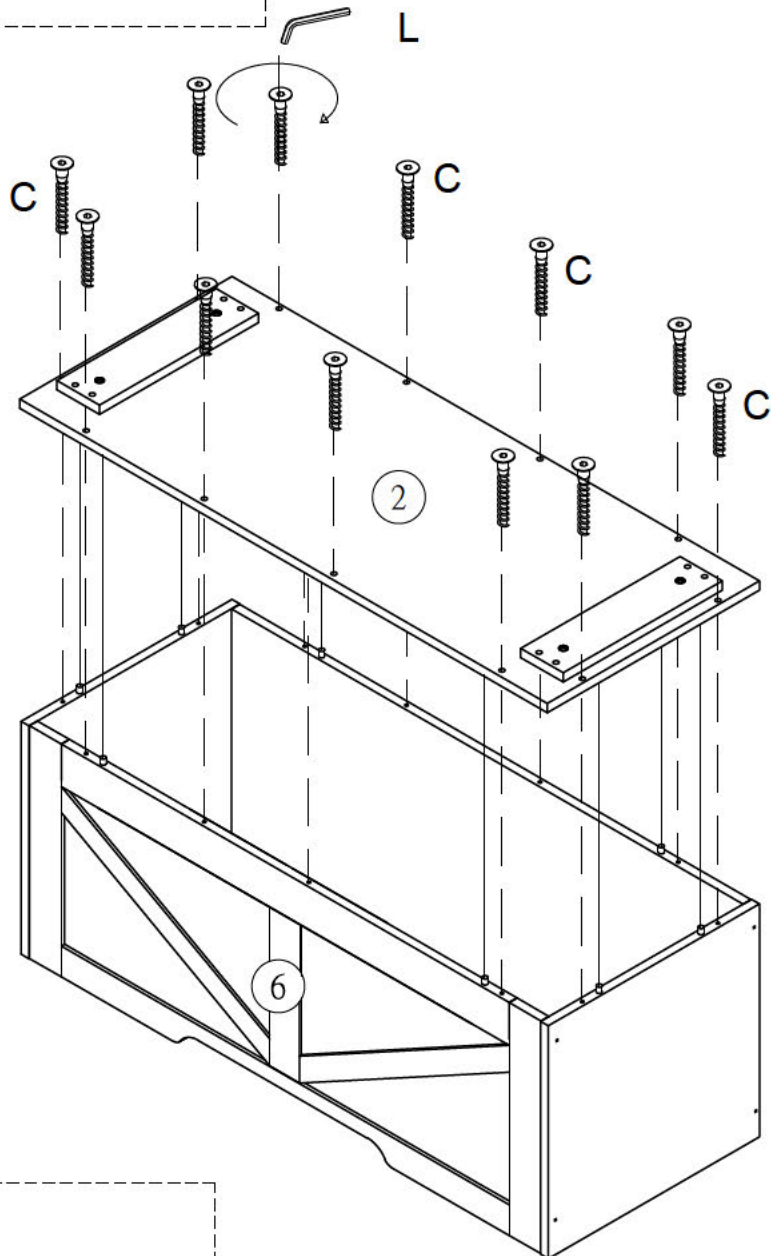
③ 1pc ④ 1pc ⑤ 1pc ⑥ 1pc C8pcs L 1pc

STEP3



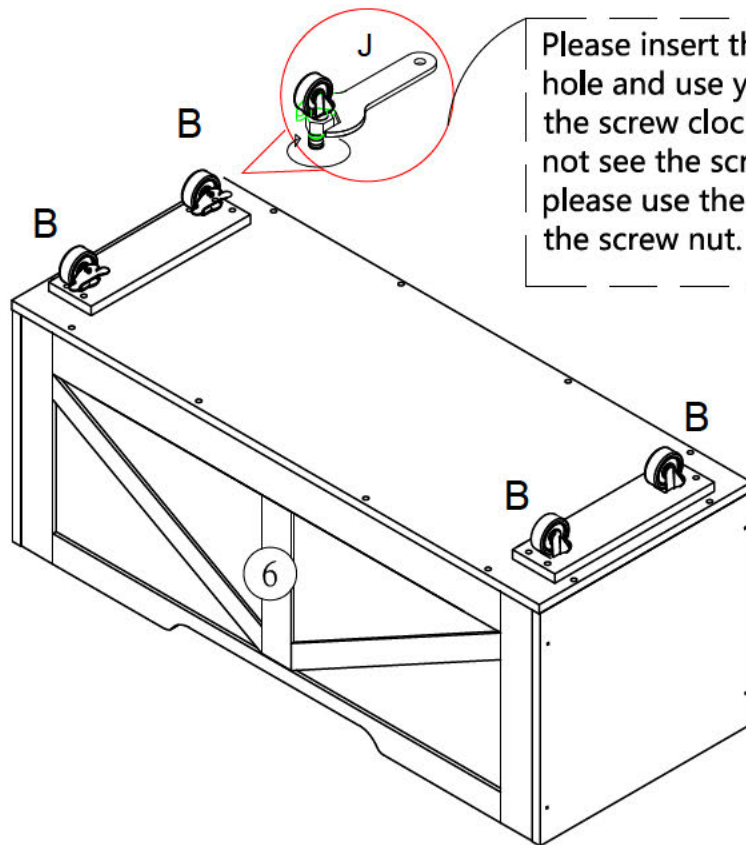
② 1pc ⑦ 2pcs G 8pcs

STEP4



② 1pc C 12pcs L 1pc

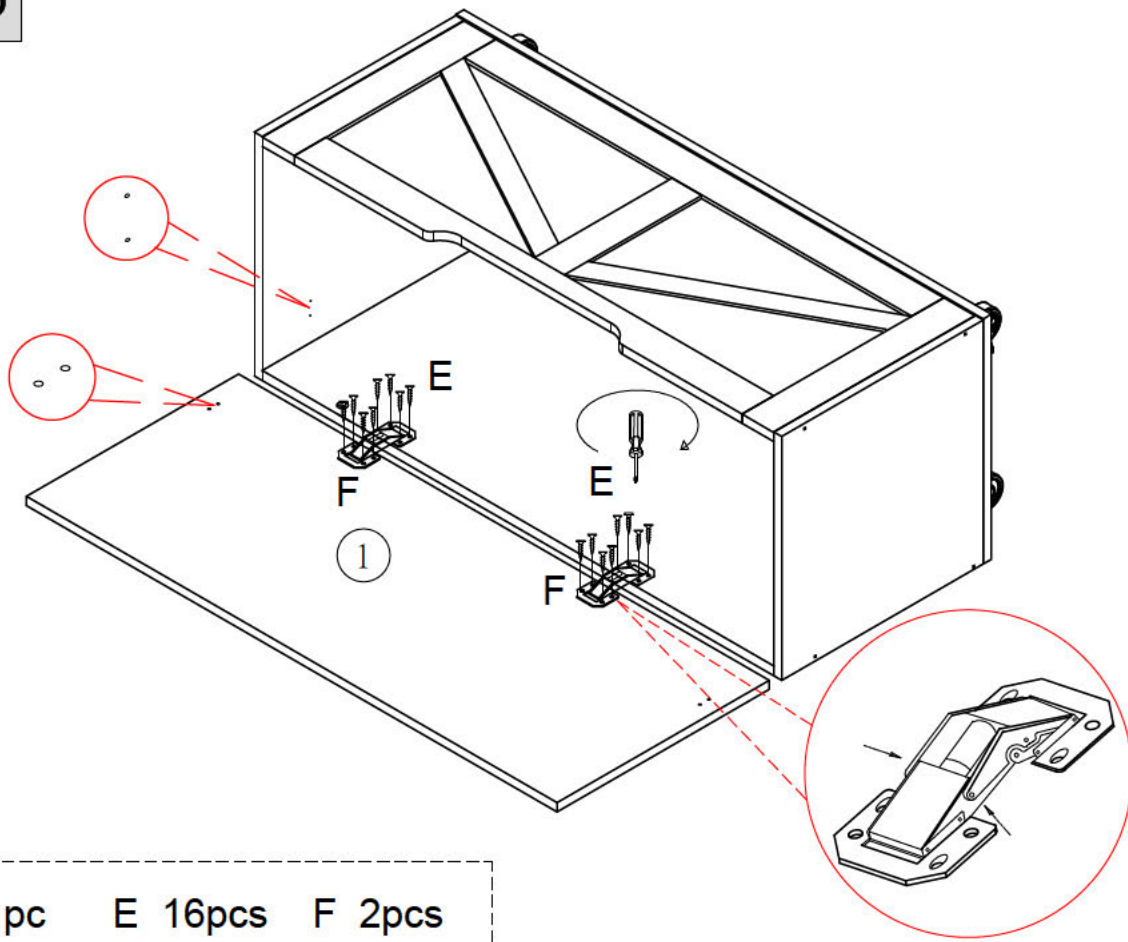
STEP5



Please insert the B screw into the hole and use your hand to turn the screw clockwise until you do not see the screw travel. Then please use the J to fully tighten the screw nut.

B 4pcs J 1pc

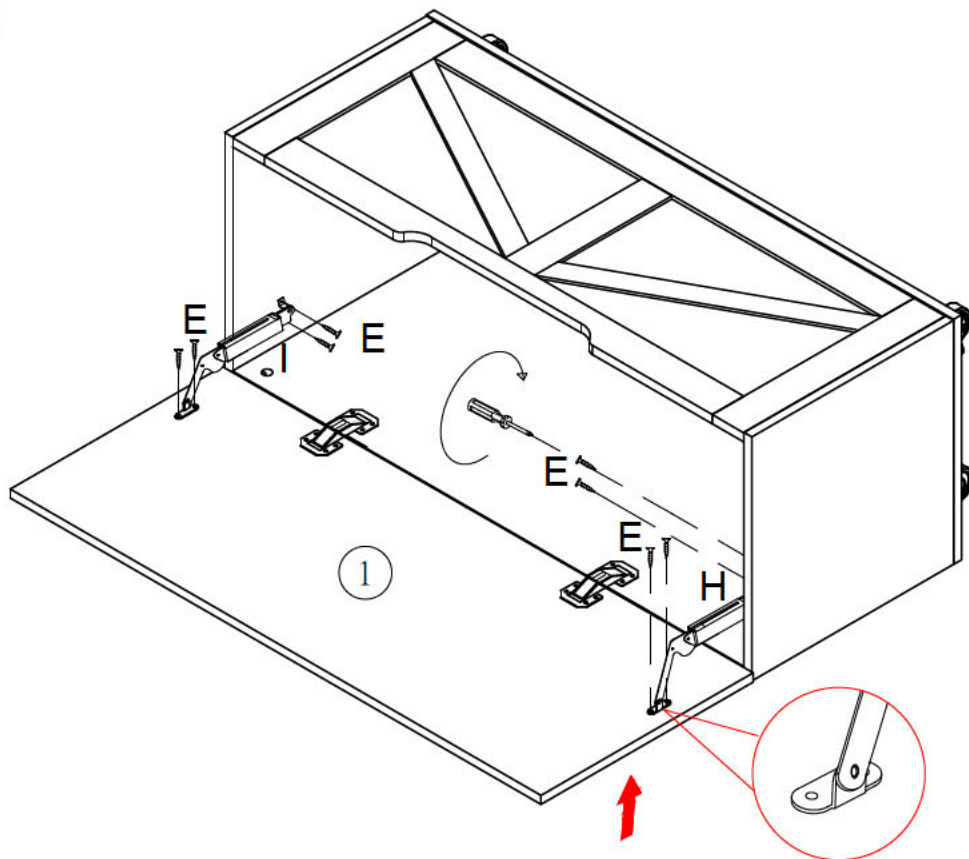
STEP6



① 1pc E 16pcs F 2pcs

Pay attention to the direction.

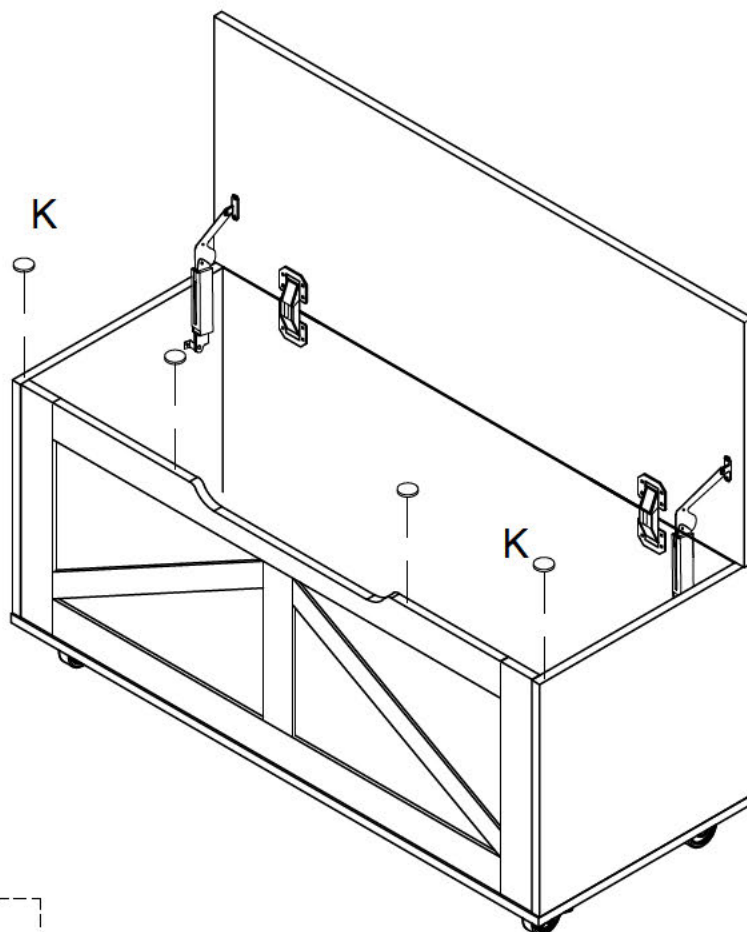
STEP7



E 8pcs H 1pc I 1pc

While assembling, please lift part 1 a little to match the holes.

STEP8



K 4pcs

