





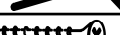

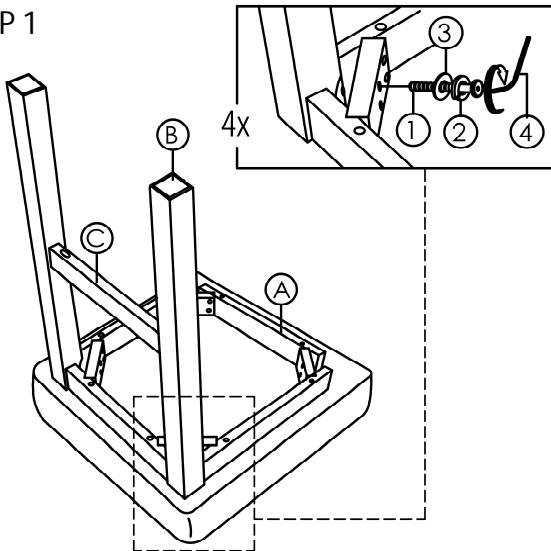


ASSEMBLY INSTRUCTIONS

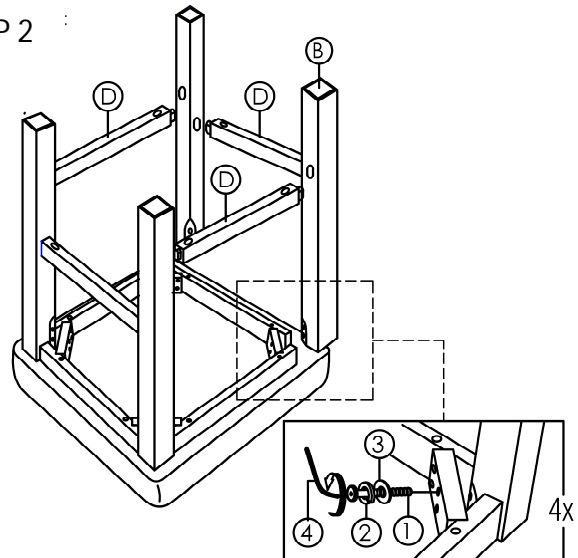
PART LIST		
ITEM	DESCRIPTION	QTY
A	CUSHION SEAT 	1 PC
B	FRONT LEG (L & R) 	4 PCS
C	STRETCHER RAIL 	4 PCS

HARWARE LIST		
ITEM	DESCRIPTION	QTY
1	JCBC SCREW M6 x 60MM 	8 PCS
2	SPRING WASHER 1/4" 	8 PCS
3	FLAT WASHER 1/4" 	8 PCS
4	M4 ALLEN KEY (SHORT) 	1 PC
5	CSK SCREW M4 x 38MM 	8 PCS

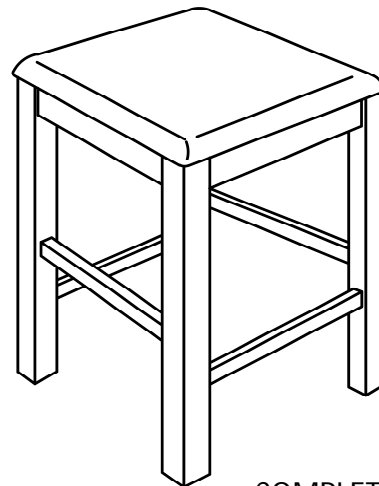
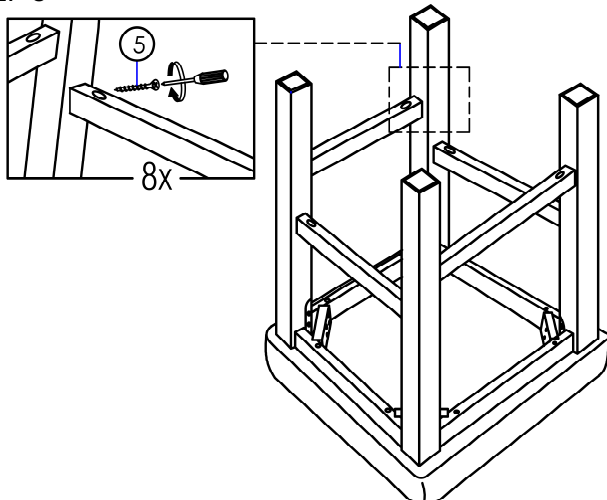
STEP 1



STEP 2



STEP 3



COMPLETED ASSEMBLY

CARE AND MAINTENANCE

The touch of a soft cloth is all the maintenance your wood pieces will ever need. Never use harsh chemicals or abrasive cleaners, as they could mark or destroy finish.

Bolts, screws and nuts may loosen during everyday use. They should be periodically inspected and re-tightened. Always visually check that all hardware on the list is attached and kept tightened.