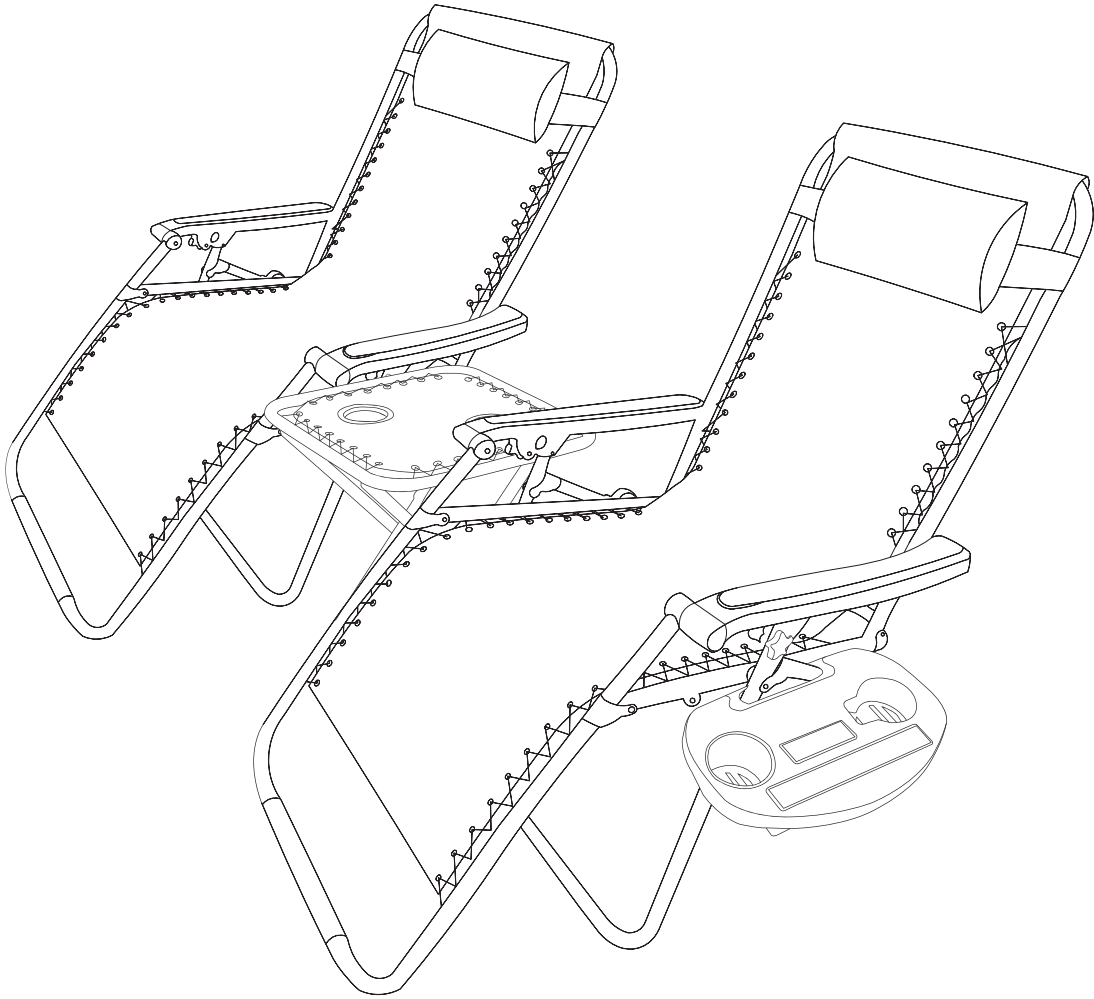


# Installation Instruction



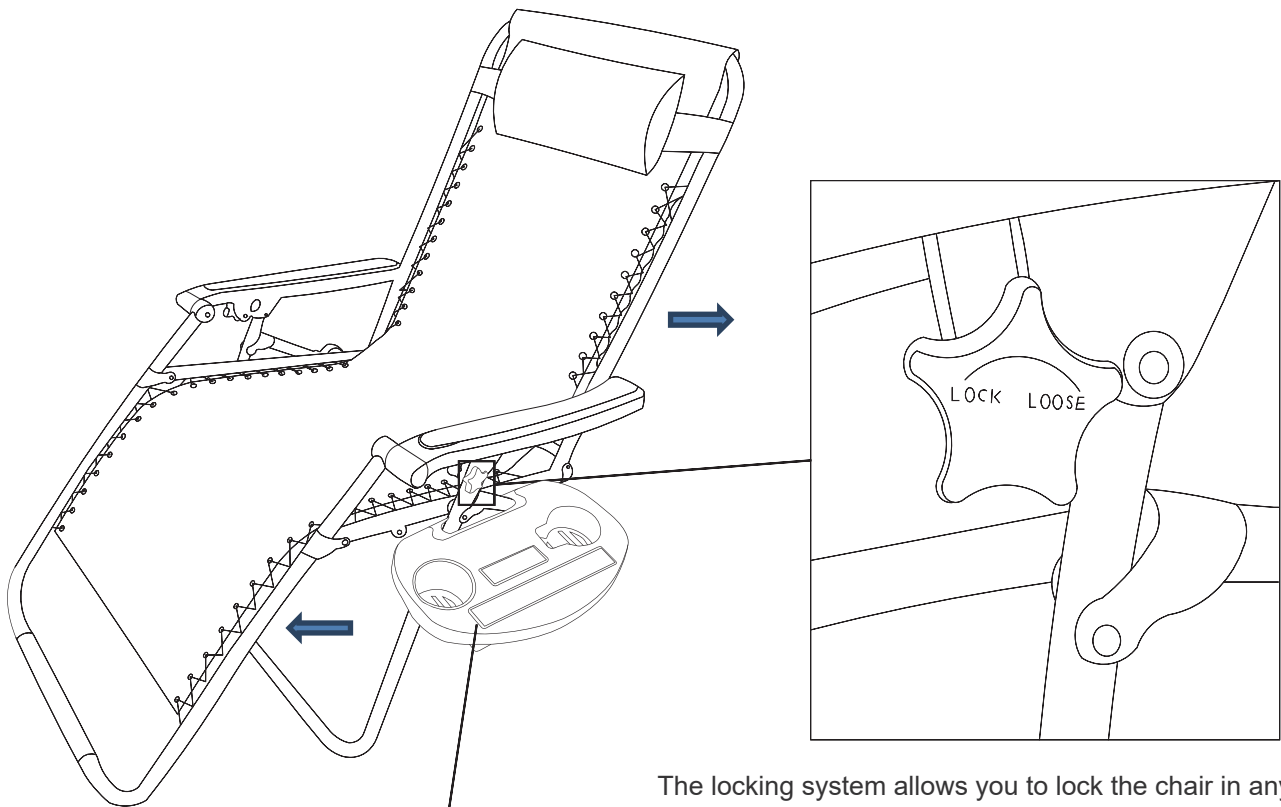
## **Attention**

Thank you very much for choosing our product.

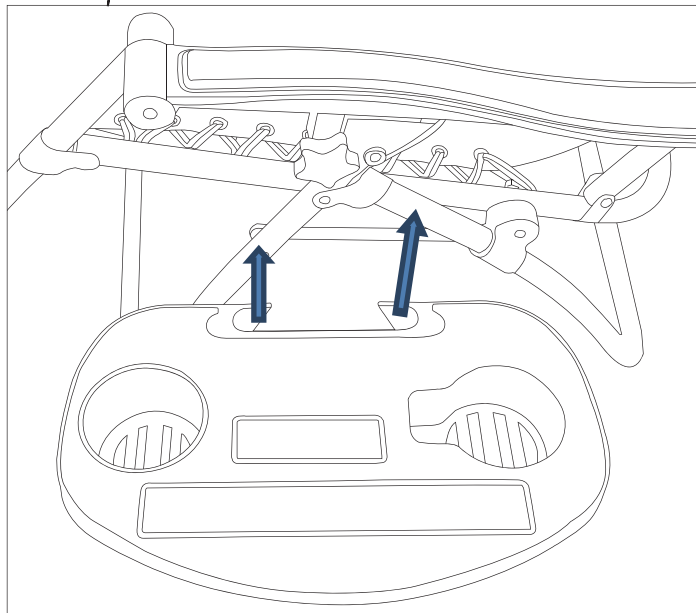
Please take time to read these instructions thoroughly and carefully understand how to use this product operation. Keep this manual for future reference. We would like to hear from you with any comments or suggestions. You can contact us by amazon message for any problem. Our staff will help you to solve your problem asap.

We are glad to offer you a good way to solve any problem that you meet thank you.

## **The way to close and open the chair**



The locking system allows you to lock the chair in any position. Simply lean back, lock your position and enjoy your comfortable lying time.



Press the cup from top to bottom and hold it tight.

### **Note:**

**Please keep the product dry and try not to get wet.**