

Limited Warranty

seating, products are warranted against defects in material and workmanship while owned by the "Original Purchaser". The term "Original Purchaser" is defined as that party or entity which purchases furniture from an authorized retailer as shown by the original sales receipt. This warranty does not apply to "as is" or previously owned seating products warrants its products to be free from defects in materials and workmanship (normal wear and tear, fading and stretching excepted), for one year from the date of purchase, except as provided below under the limited warranty.

The exceptions or exclusions to this warranty are as follows:

1. Any warranty claim that is submitted after the limited warranty period, or without proper proof of purchase will not include the cost of parts, labor, or delivery.
2. This warranty shall not apply to the products which have been subjected to misuse, neglect, alteration, modification, or attachments, either caused by the original purchaser, shipping, storage, accident, fire, or acts of God.

In the event of a defect in material or workmanship covered by this warranty, we will repair or replace, at their discretion, without charge the warranted furniture within a reasonable amount of time. We reserve the right to require damaged parts to be returned to us upon request. Natural markings such as cars, brands, grain variations, wrinkles, color variations, etc. will be considered normal characteristics and not construed as defects. We cannot warrant leather against scratching or scuffing, as all leather is subject to blemishes with use.

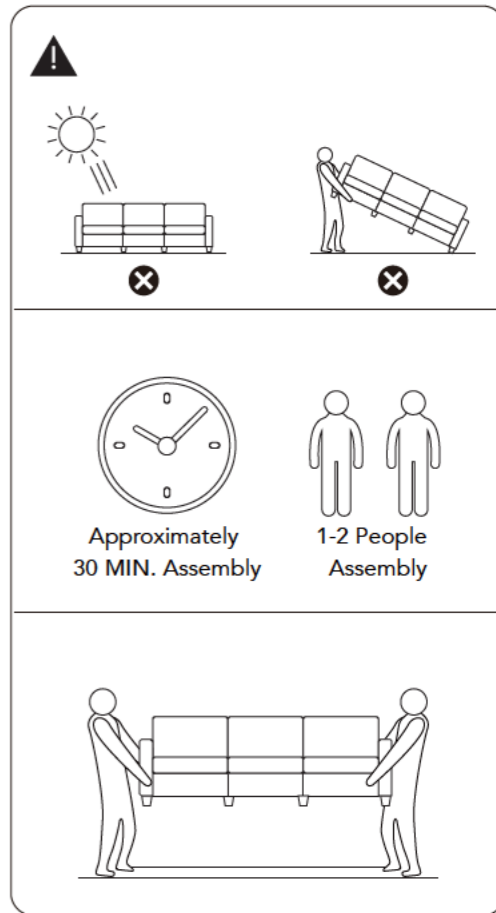
NOTICE :

Please retain these instructions for future reference.

- Please read the instruction sheets completely before assembly. Remove all parts from carton and ensure all components included prior to assembly.
- Assemble the sofa on a protected surface to avoid scratching the components of sofa.
- Be careful not to cross-thread screws.
- Do not use power tools.
- Two people are recommended for assembly!
- According to the fabric characteristics of ottoman, please avoid direct-sun exposure.
- If the sofa is smelling, please try to air it for 24-48 hours and the smell will go away.
- Sometimes it's because it was packed for a long time, so it's very normal to get that smell.
- Sofa is certified by the environment system. So please don't worry, it won't hurt your health, it's safe to use it.

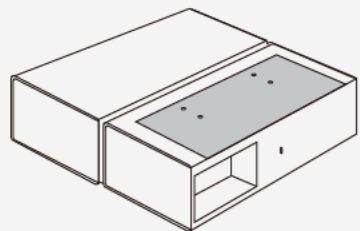
RETURN/DAMAGE CLAIM INSTRUCTIONS:

- DO NOT discard of the box/original packaging. In case a return is required, the item must be returned in original box. Without this your return will not be accepted.
- Take a photo of the box markings. A photo of the markings (text) on the side of the box or instruction is required in case a part is needed for replacement. This helps our staff identify your product number to ensure you receive the correct parts.
- Take a photo of damage (if applicable). A photo of the damage is always required to file a claim and get your replacement or refund processed quickly. Please make sure you have the box even if it is damaged.
- Send us an email with the images requested. Email us directly from marketplace where your item was purchased with the attached images and a description of your claim.



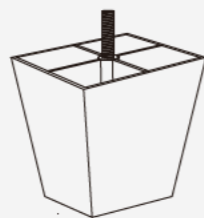
CARTON A PART LIST

A Armrest / Backrest



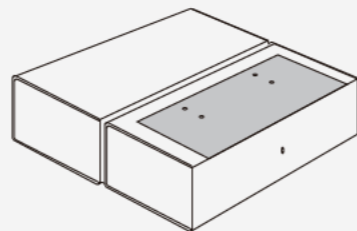
x1

D Plastic Leg



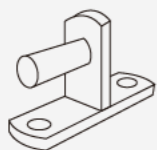
x2

E Armrest / Backrest



x1

1 Armrest / Backrest Fitting



x4

2 Screw

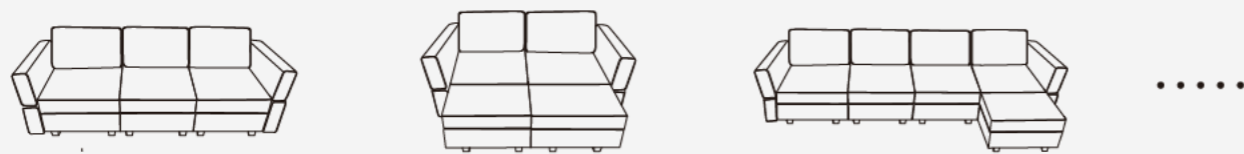
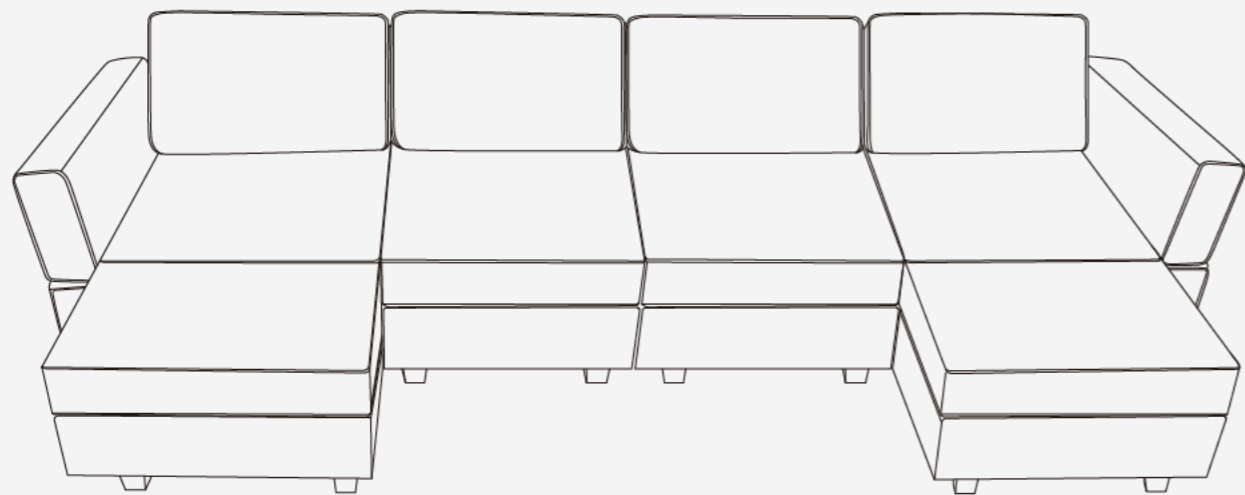


x8

3 Plastic Washer



x2

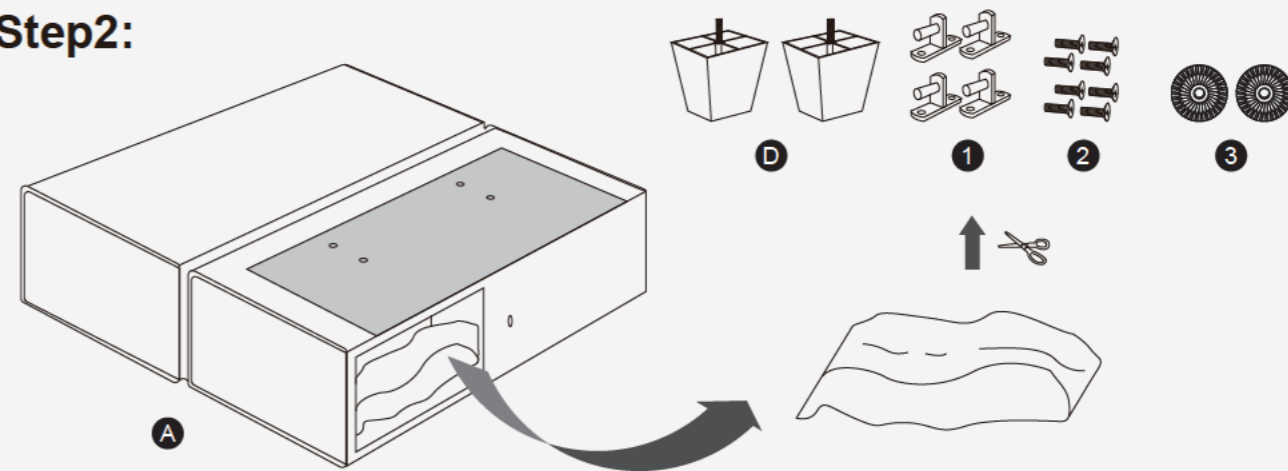


CARTON A ASSEMBLY

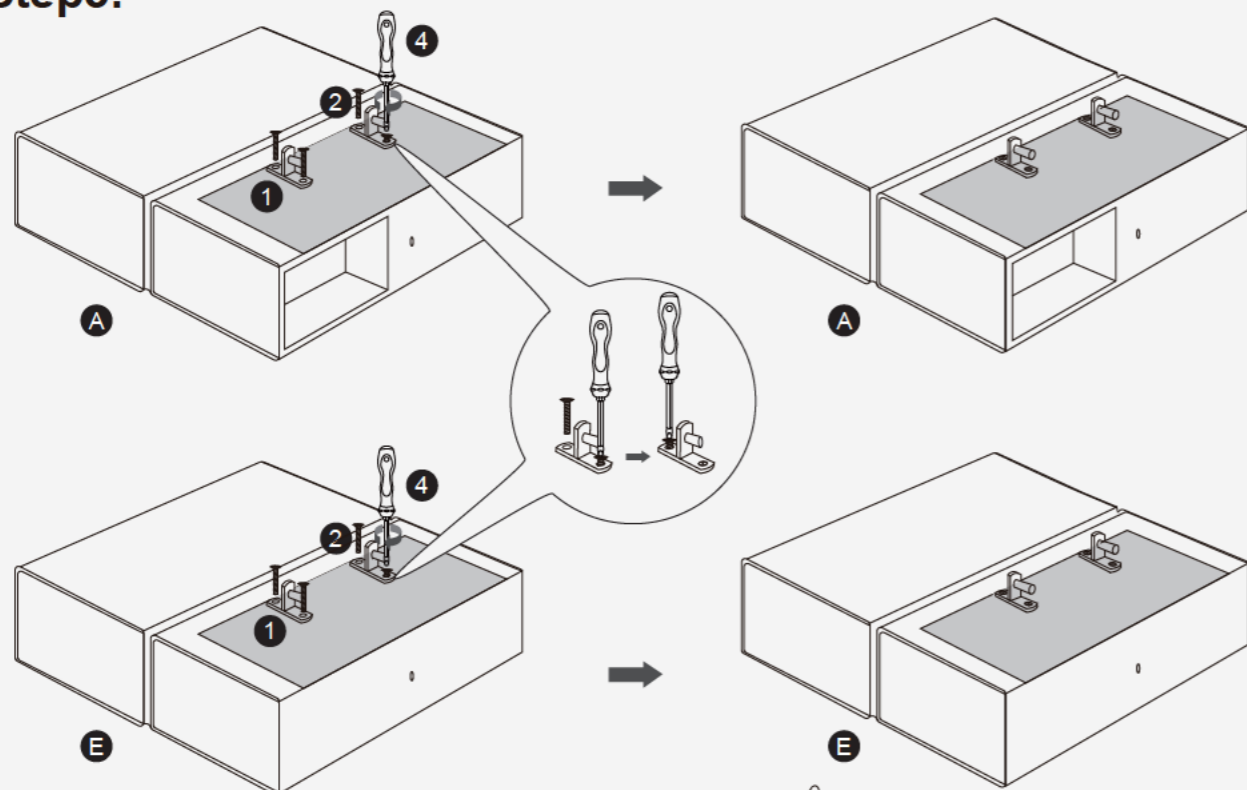
Step1:

Armrests/ Backrests are in carton A, Remove all parts from the carton A ,
Place them on protected surface or carpet.

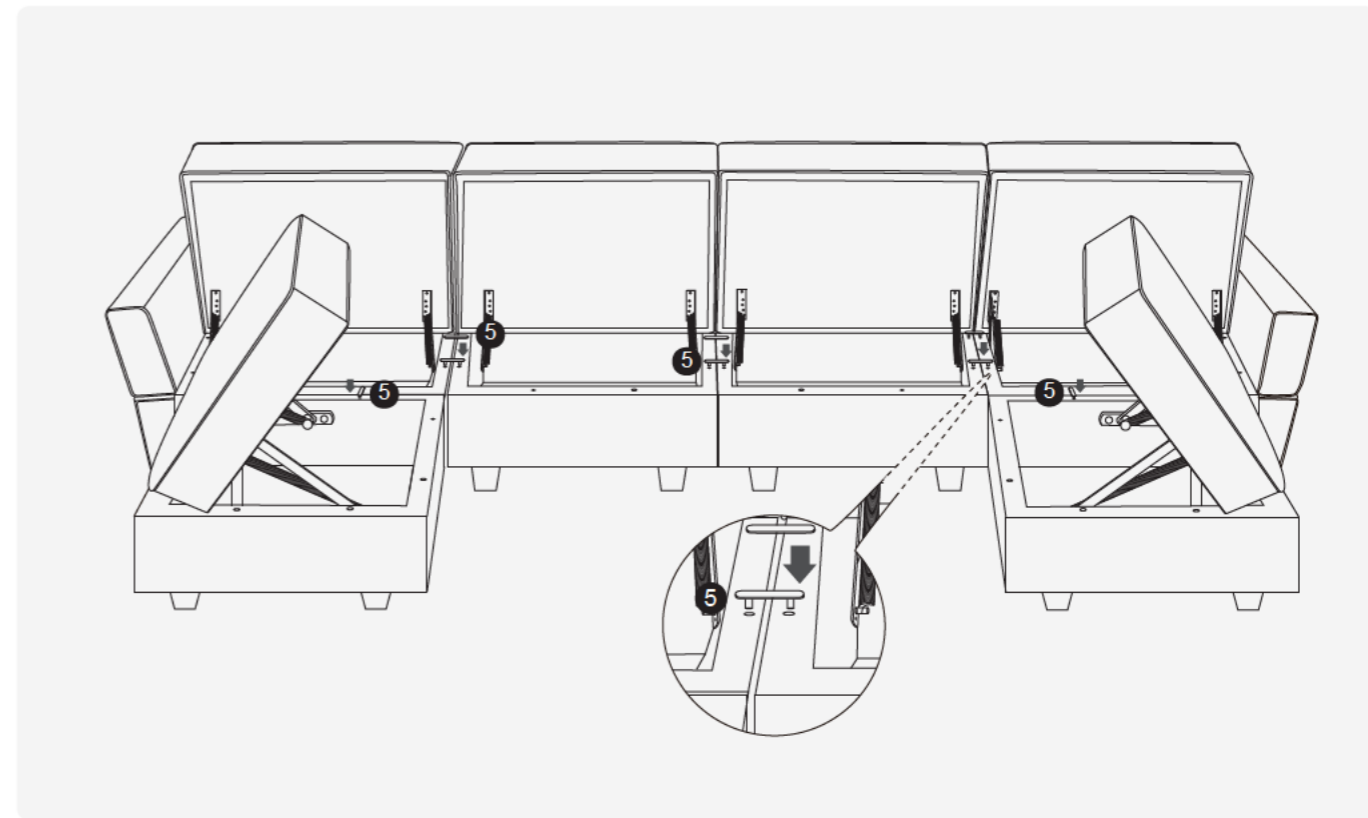
Step2:



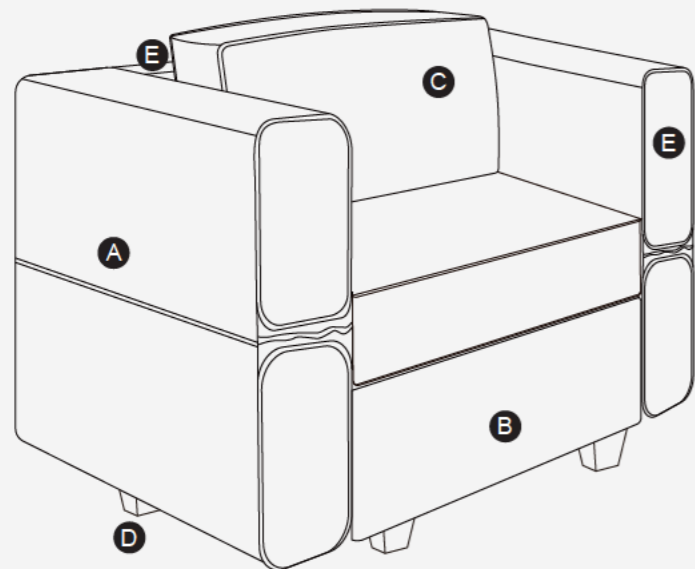
Step3:



MULTI-SEATER SOFA ASSEMBLY

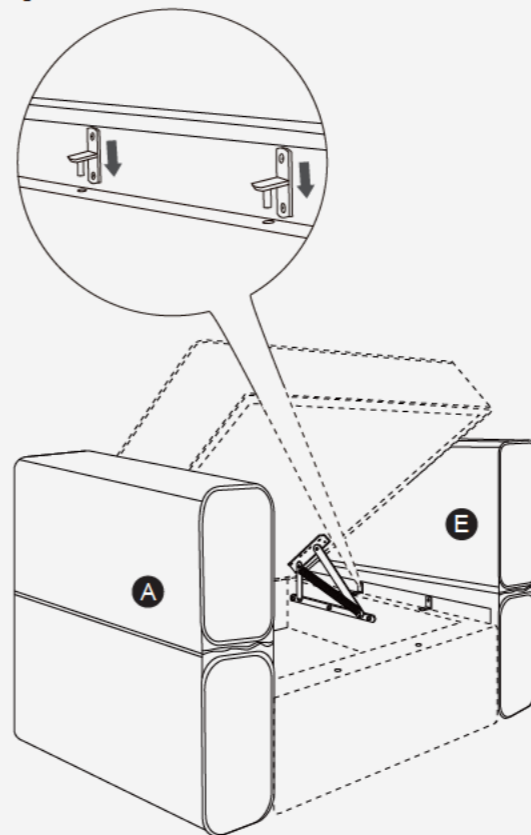


CARTON A + CARTON B

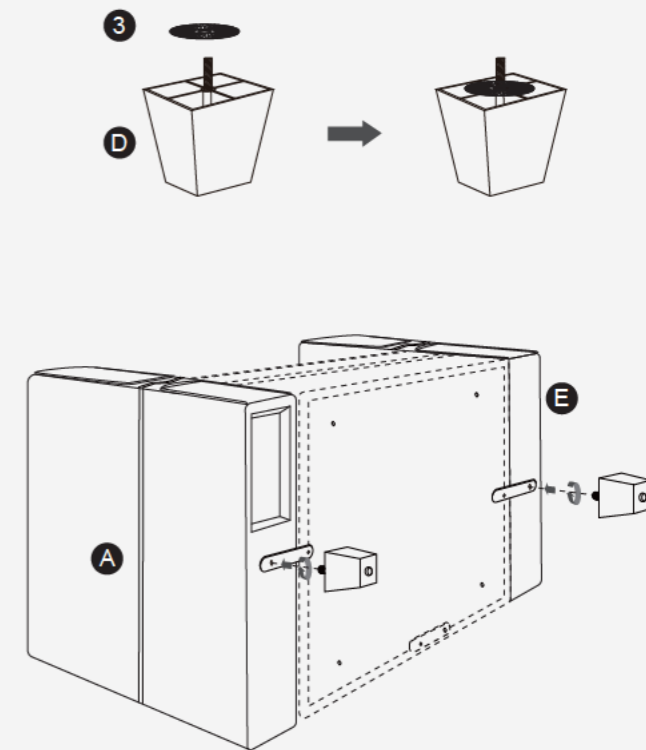


The single sofa chair is made up of 1*CartonA and 1*CartonB

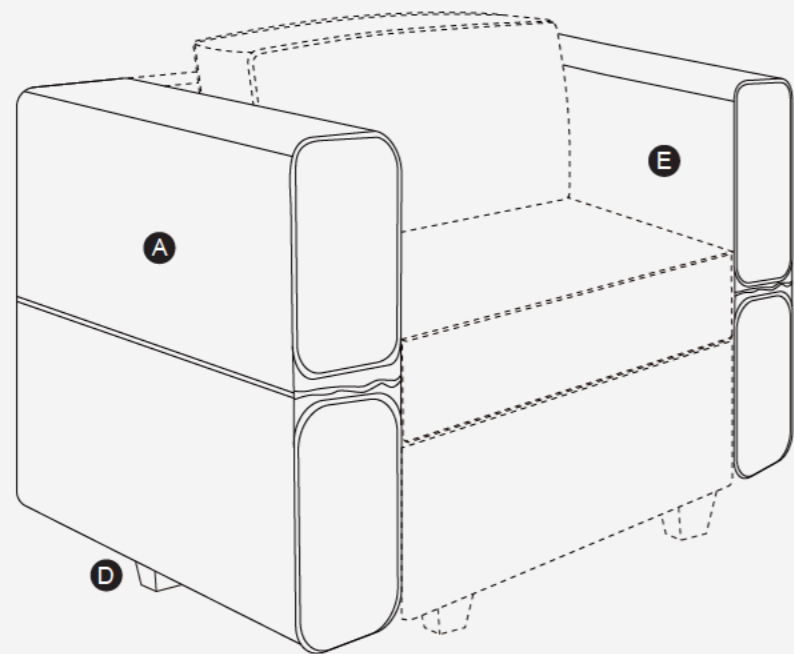
Step4:



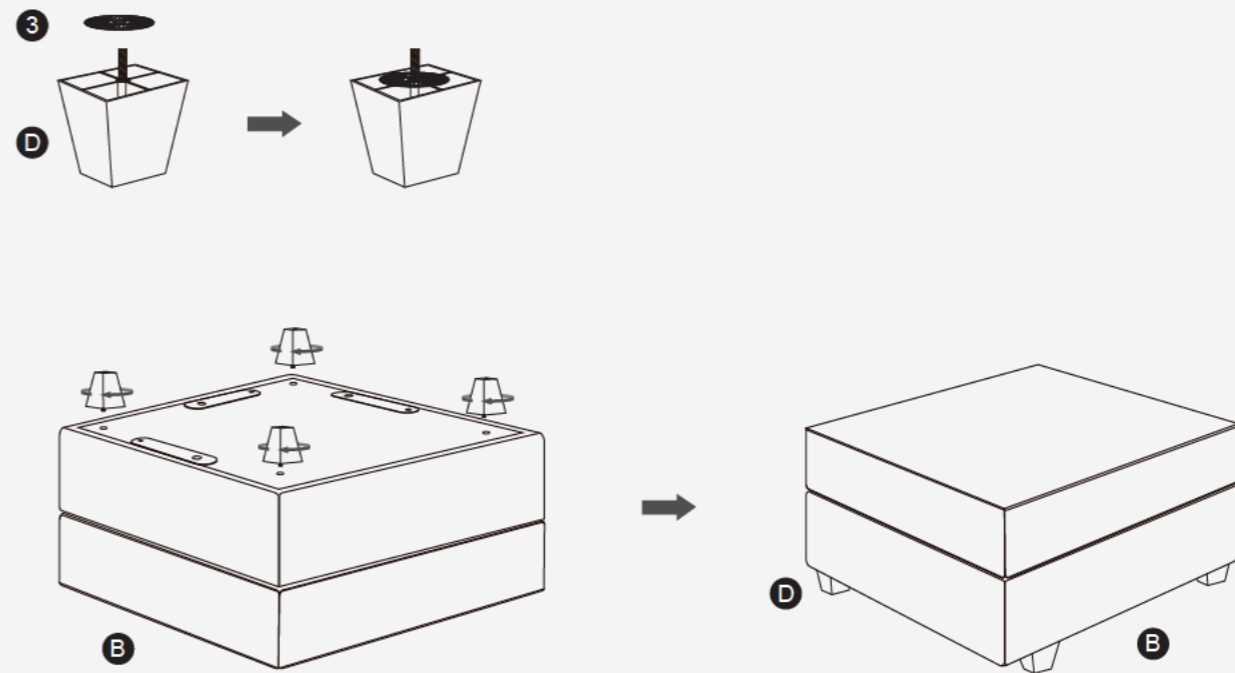
Step5:



Step6:



Step4:

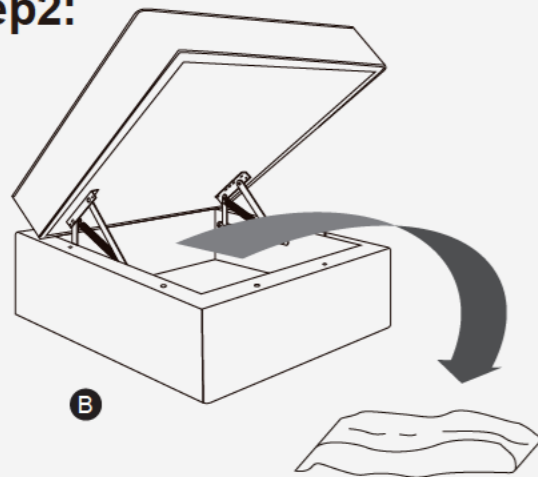


CARTON C ASSEMBLY

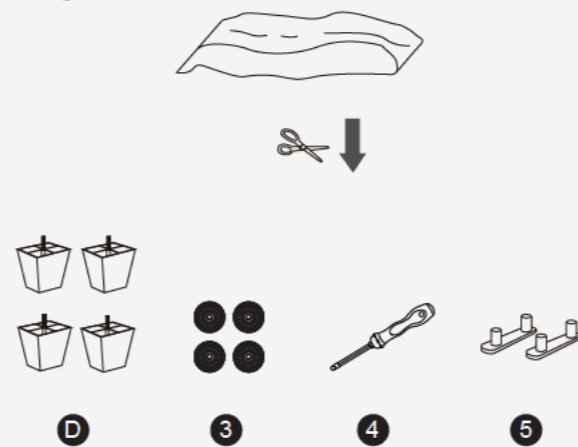
Step1:

Seat frame is in carton C ,Remove all parts from the carton C,Place them on protected surface or carpet.

Step2:



Step3:



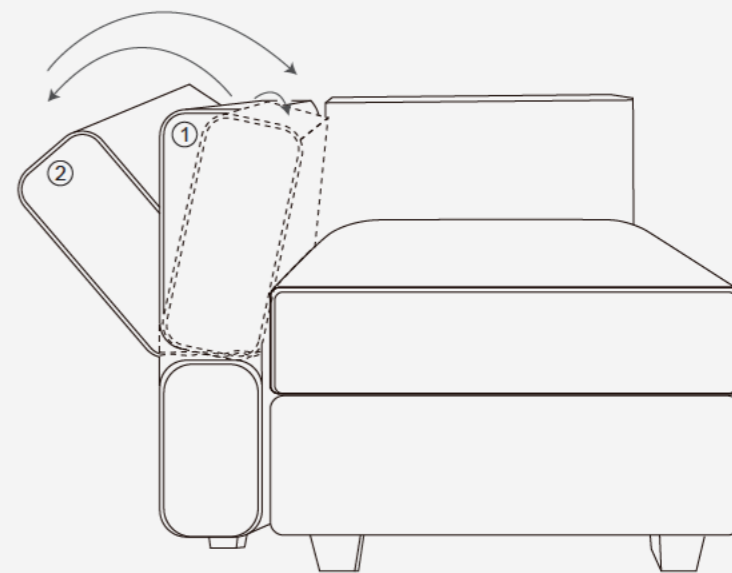
ARMREST / BACKREST ADJUSTMENT

The armrests/backrests are adjustable continuously by "pull "or "push".

To adjust the armrests/backrests, just pull it to dotted line position (as the picture shows) to get reset first then pull the arm/back frame to the desired position.

Please note that the maximum angle of pulling is 135°.

You can push the armrest/backrest back directly and there is no need to get reset.



CARTON B PART LIST

B Single Seat Frame



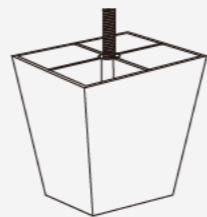
x1

C Pillow



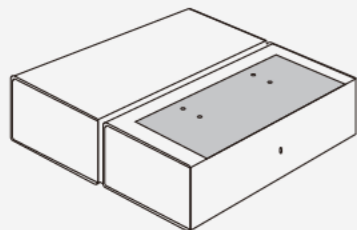
x1

D Plastic Leg



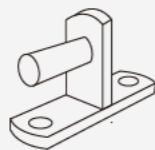
x5

E Armrest / Backrest



x1

1 Armrest / Backrest Fitting



x2

2 Screw



x4

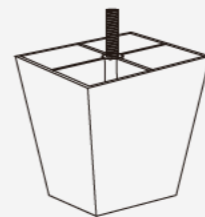
CARTON C PART LIST

B Single Seat Frame



x1

D Plastic Leg



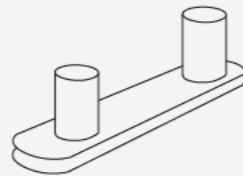
x4

3 Plastic Washer



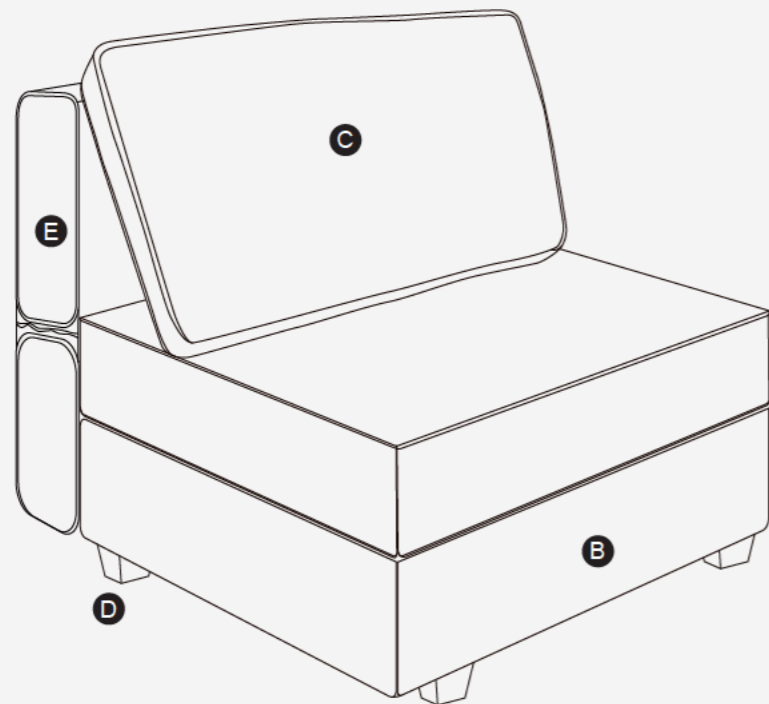
x4

5 Single Seat Fitting



x2

Step 8:



3 Plastic Washer



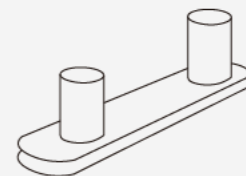
x5

4 Screwdriver



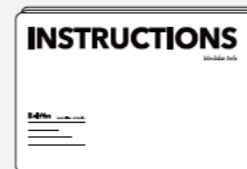
x1

5 Single Seat Fitting



x2

6 Assembly Instructions



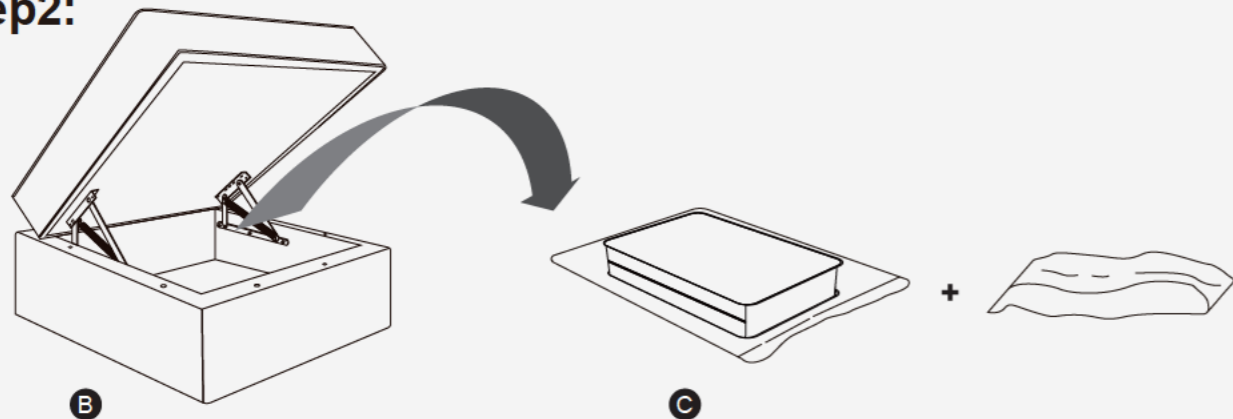
x1

CARTON B ASSEMBLY

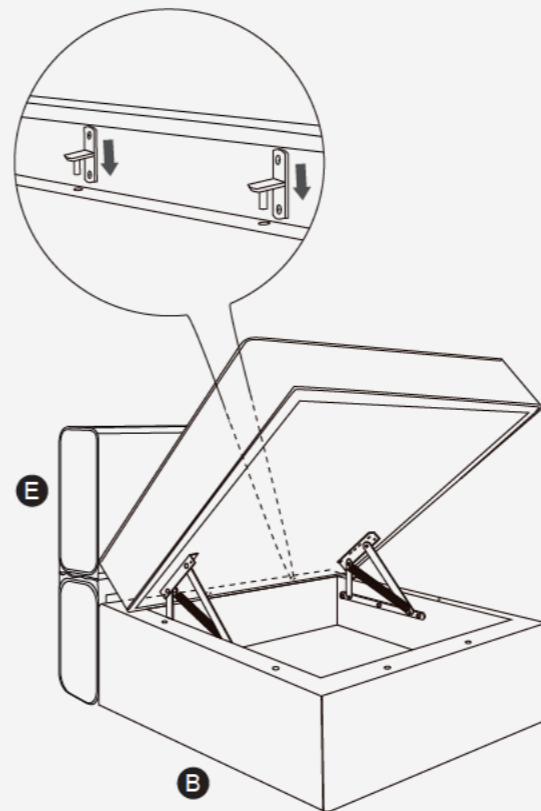
Step1:

Seat frame and armrest/backrest are in carton B, Remove all parts from the carton B, Place them on protected surface or carpet.

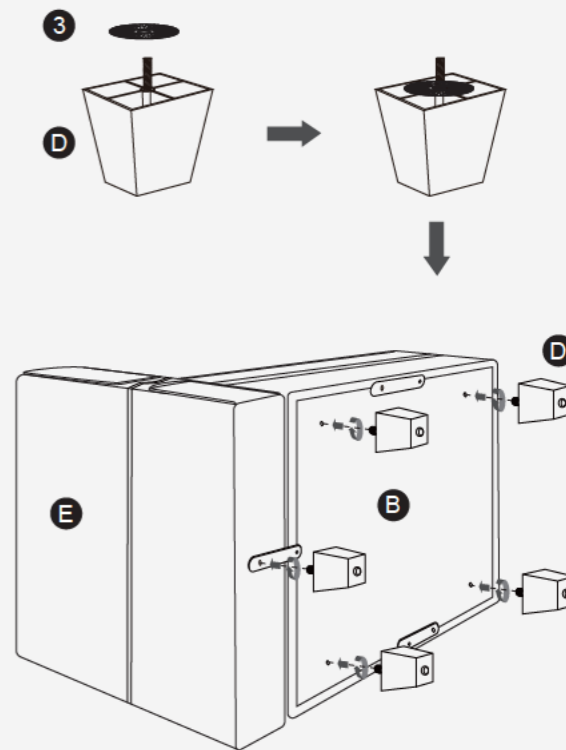
Step2:



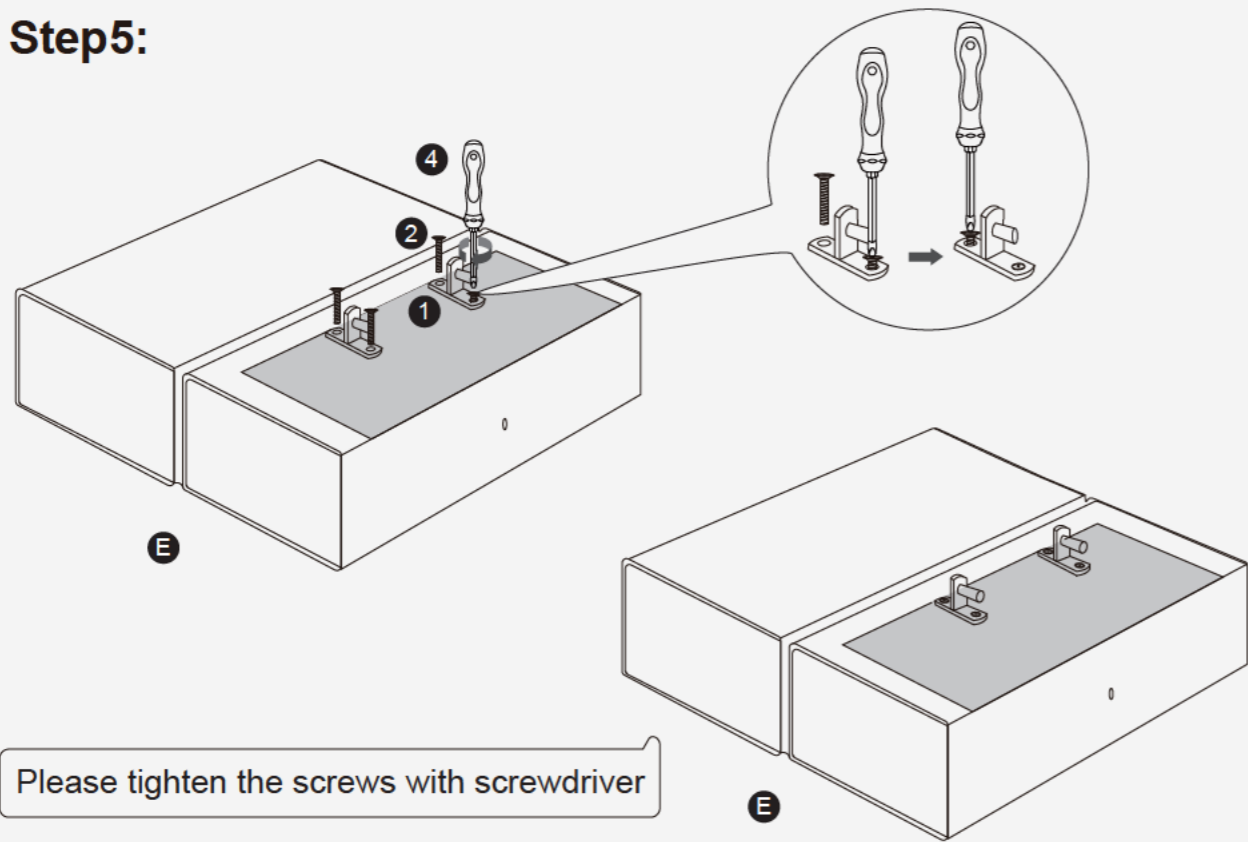
Step6:



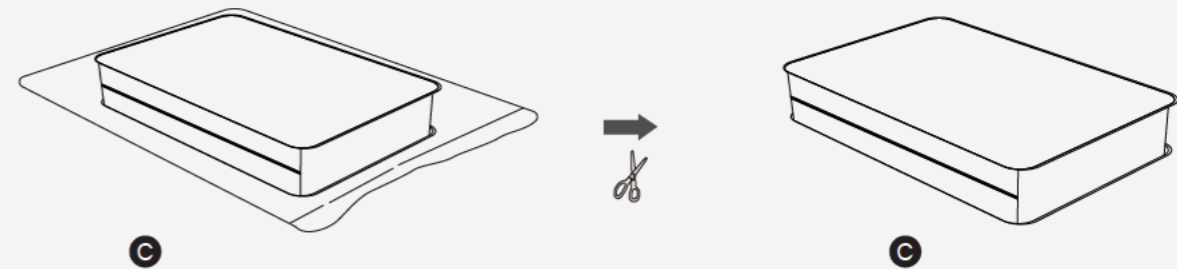
Step7:



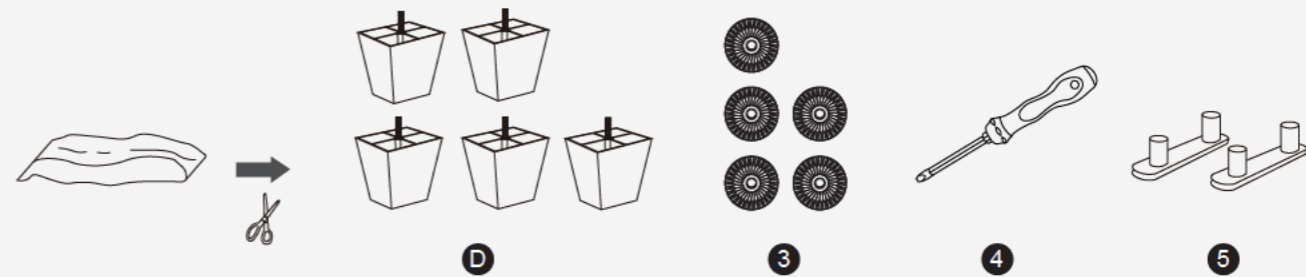
Step5:



Step3:



Step4:



尺寸：**14*20cm** 出血：**3mm**