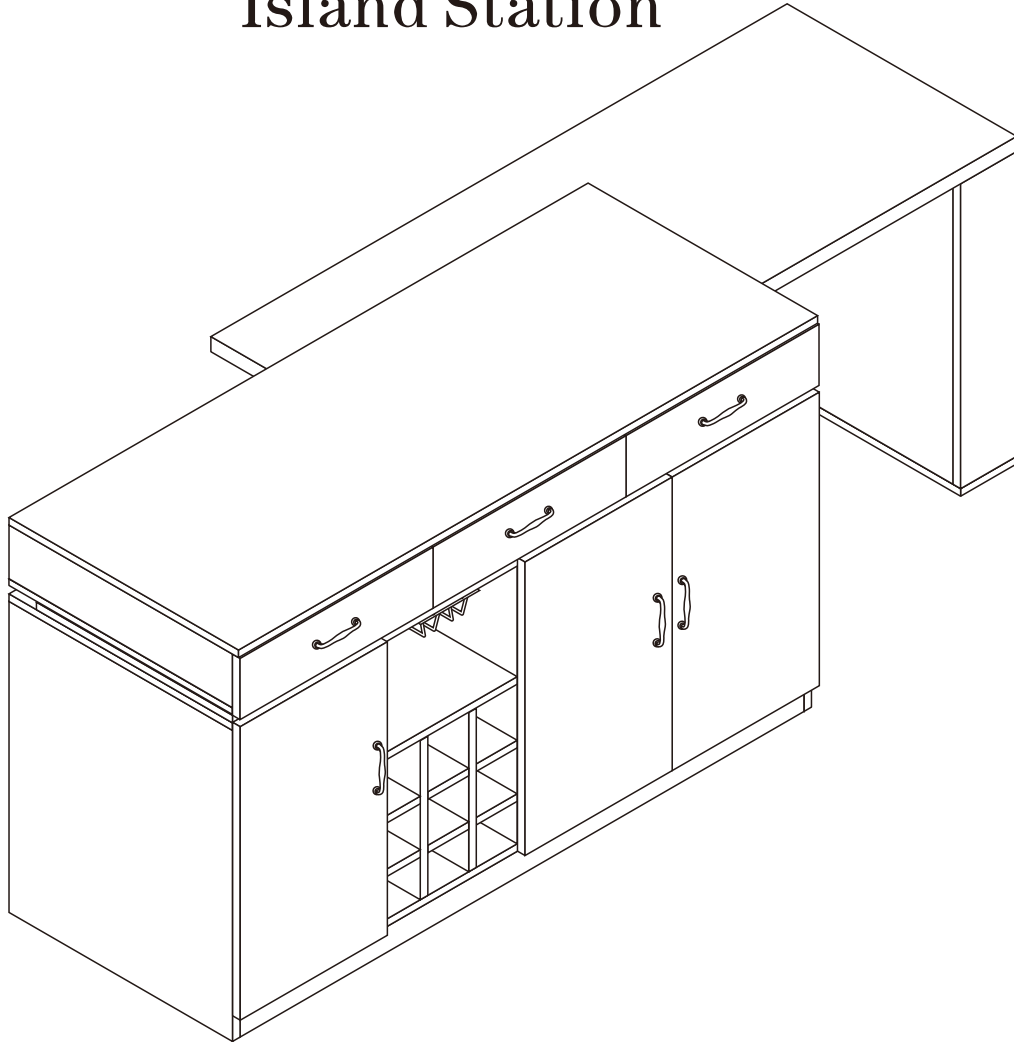


Installation & Assembly

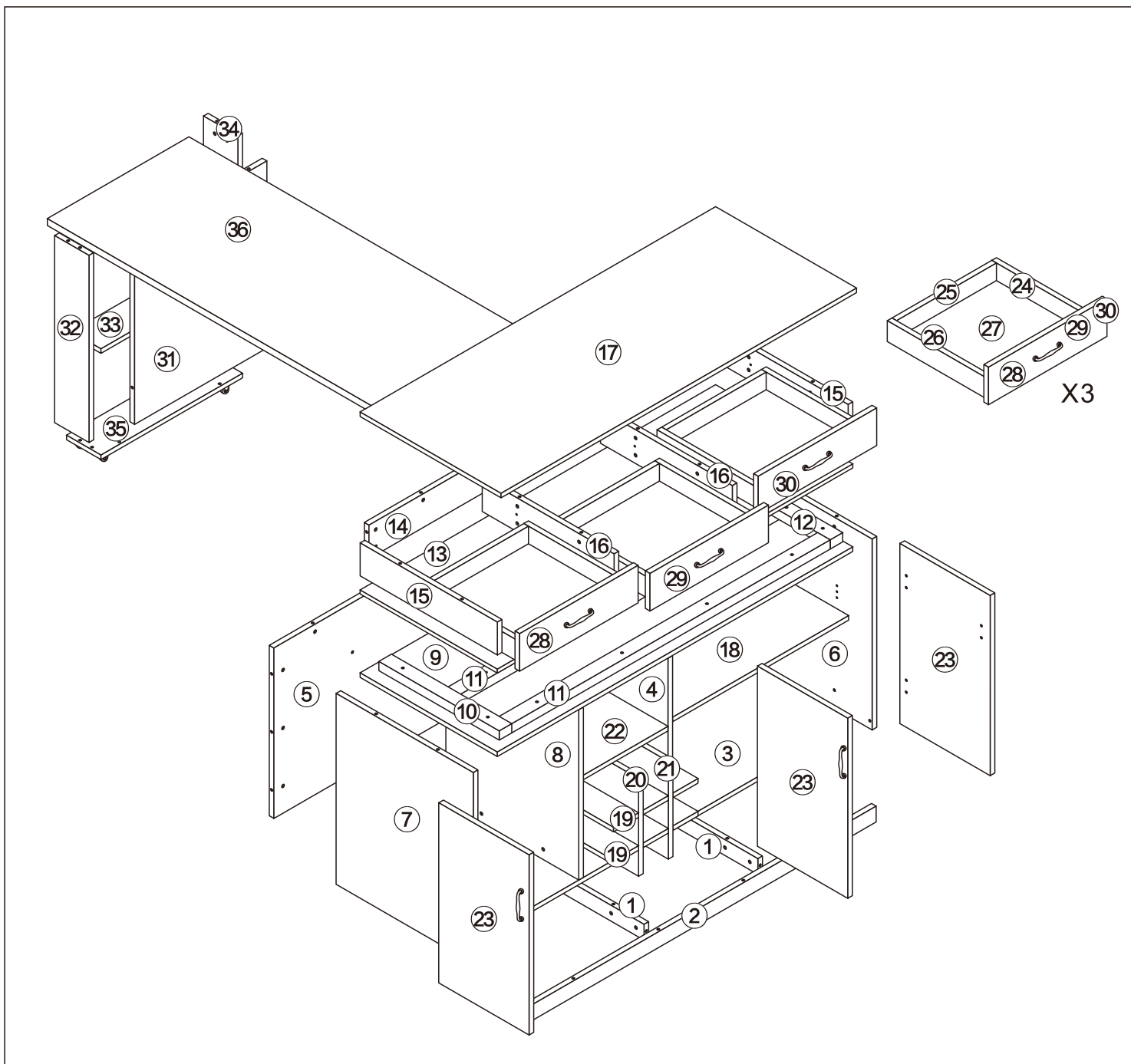
Island Station



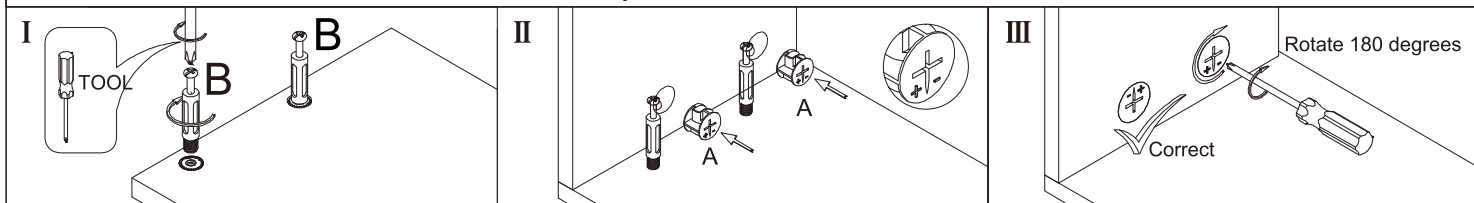
L1600*W600*H900MM



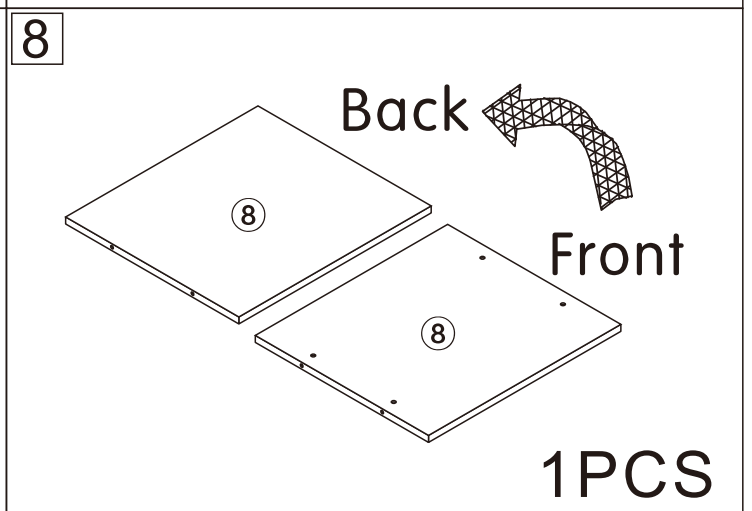
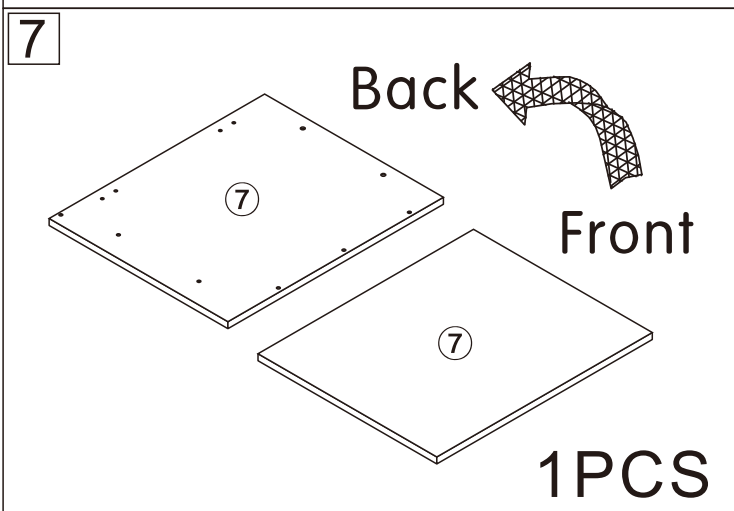
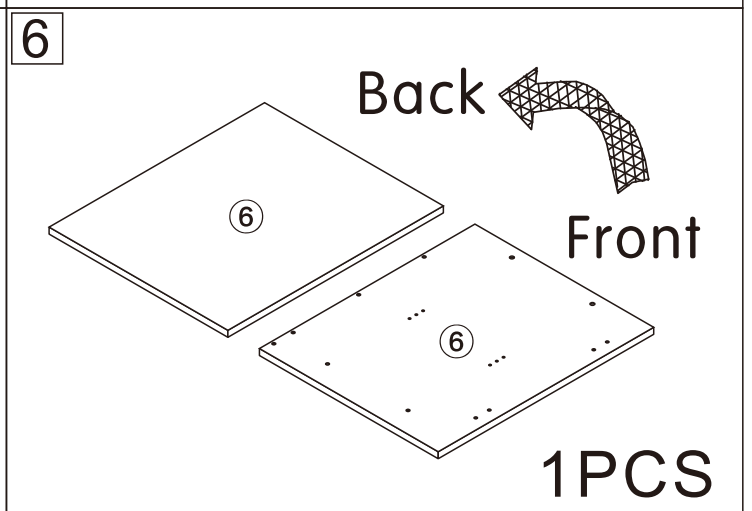
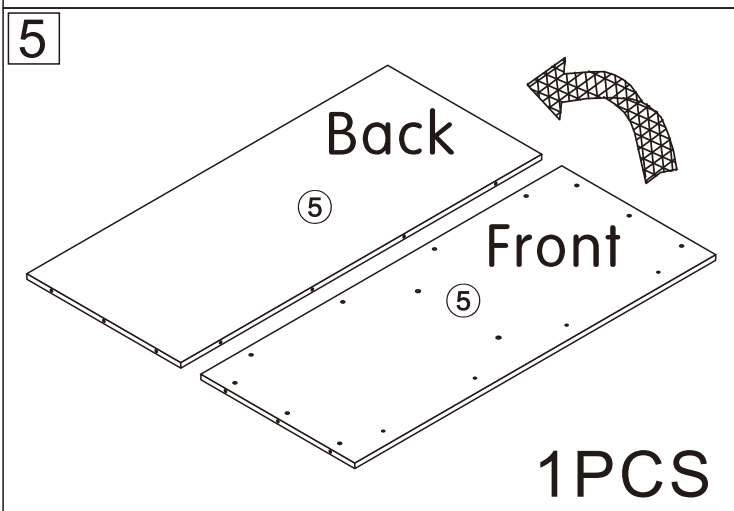
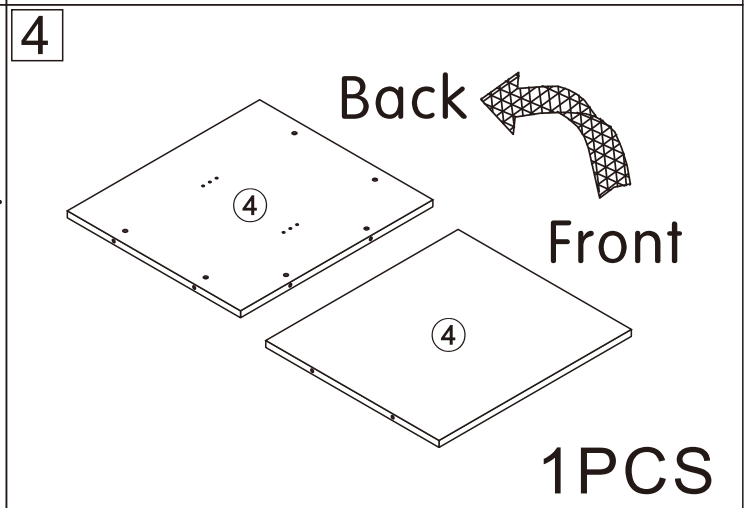
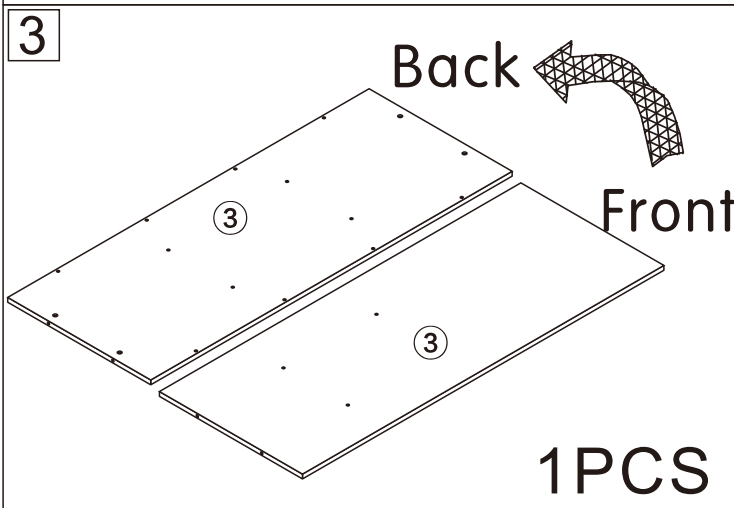
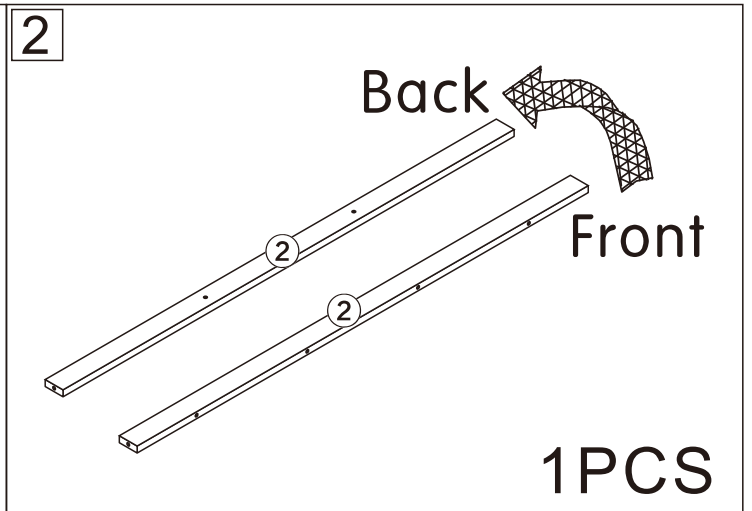
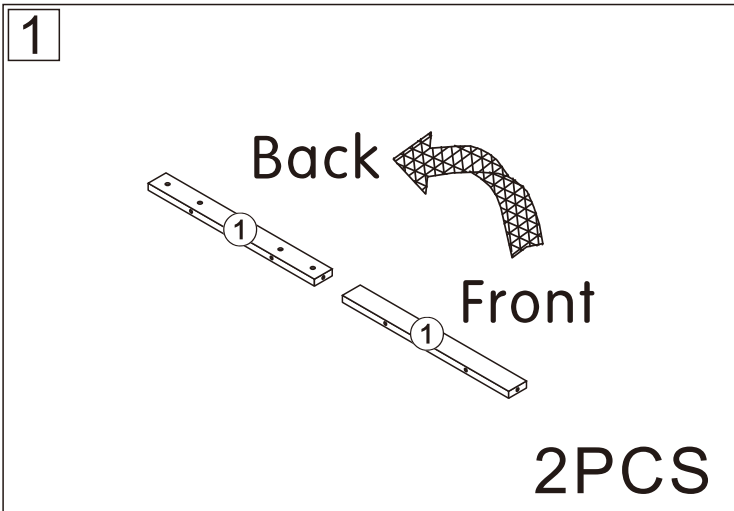
Notes: Don't tighten screws completely at first, just in case parts were assembled wrongly and need disassemble. Tighten screws at last when all parts are put together.

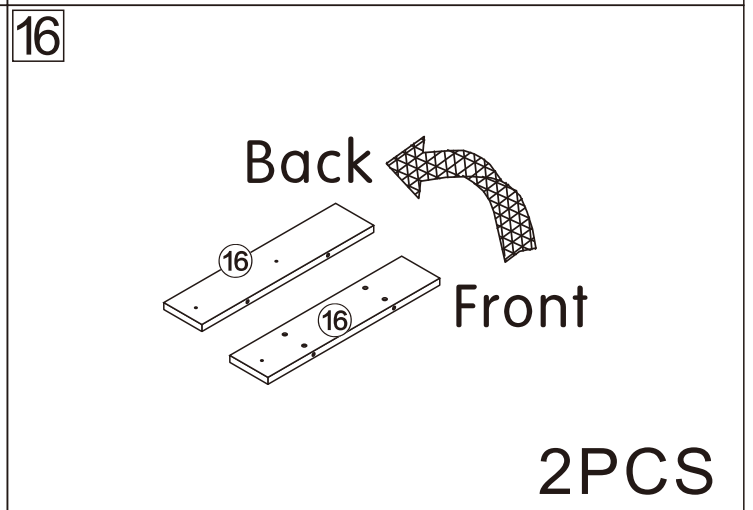
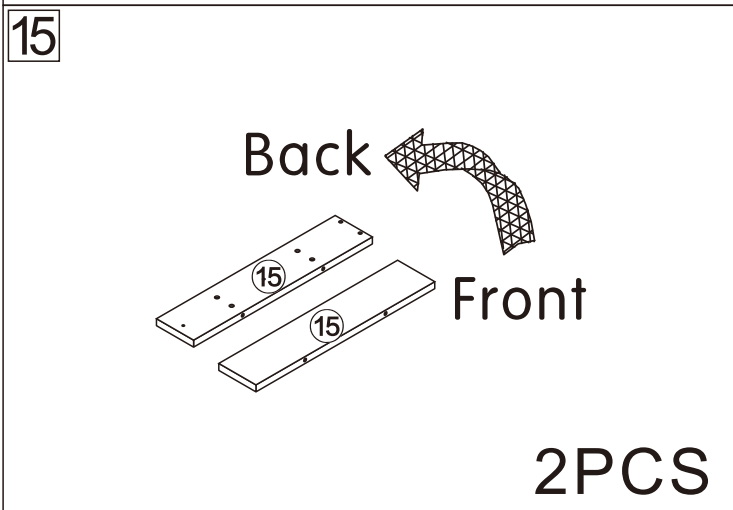
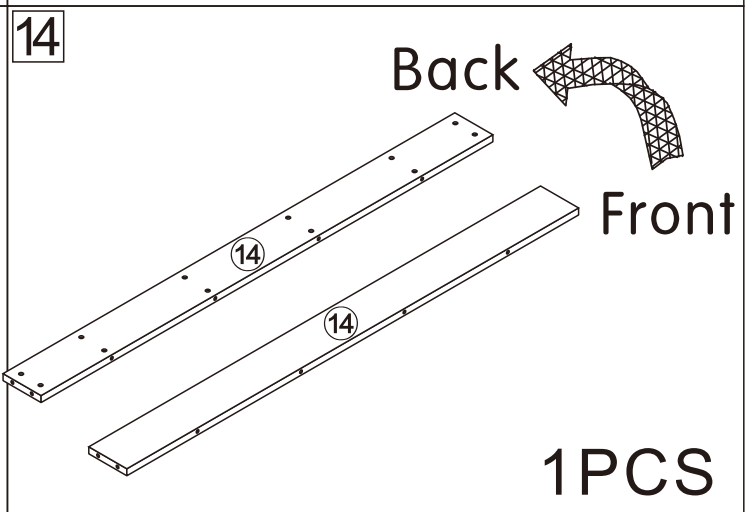
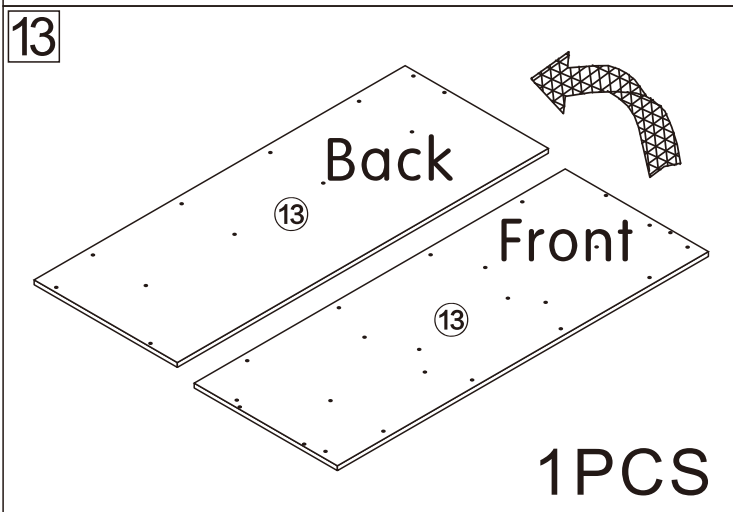
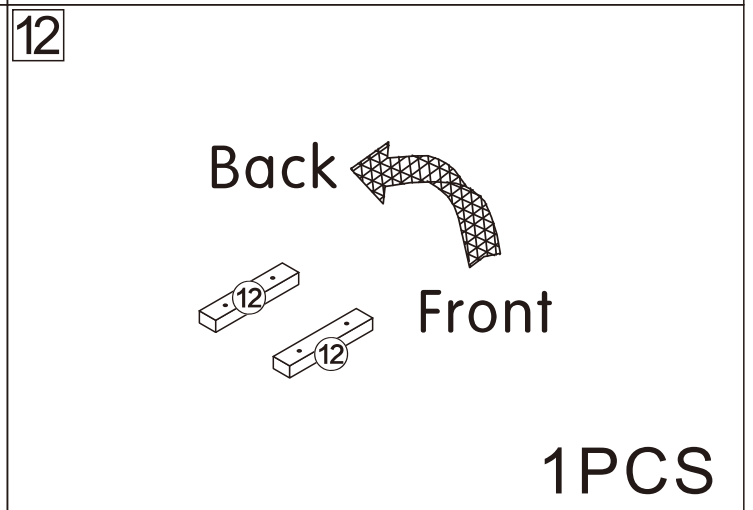
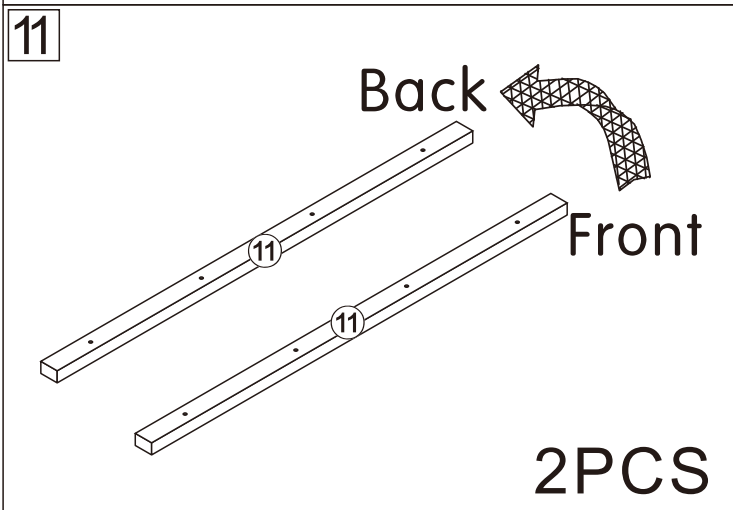
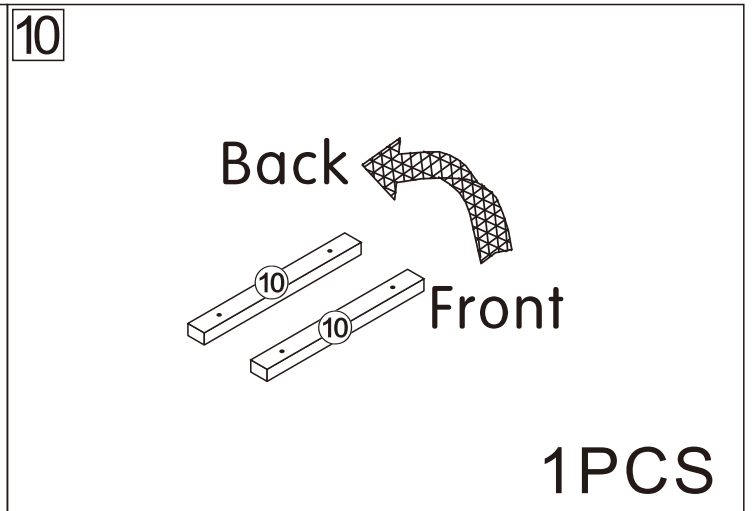
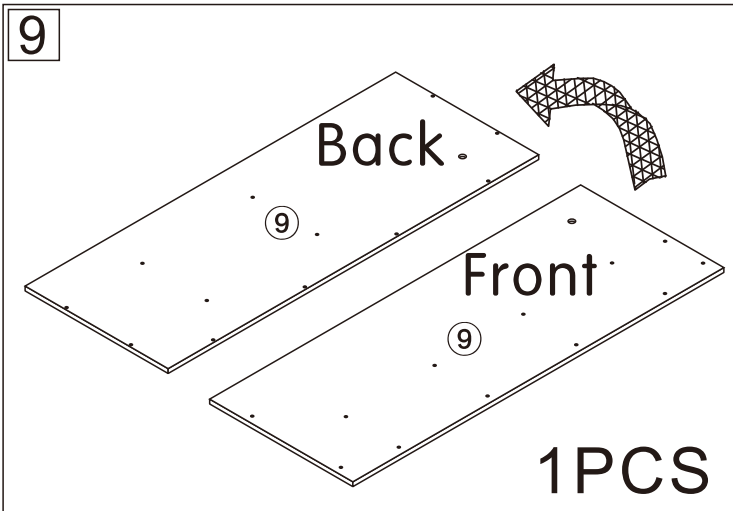


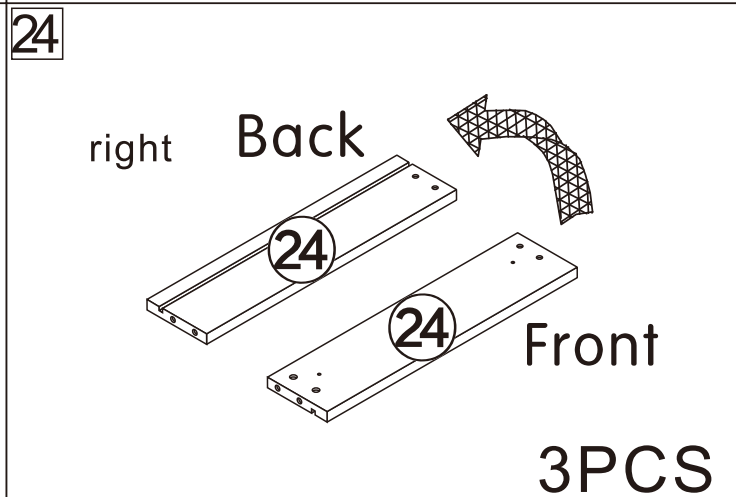
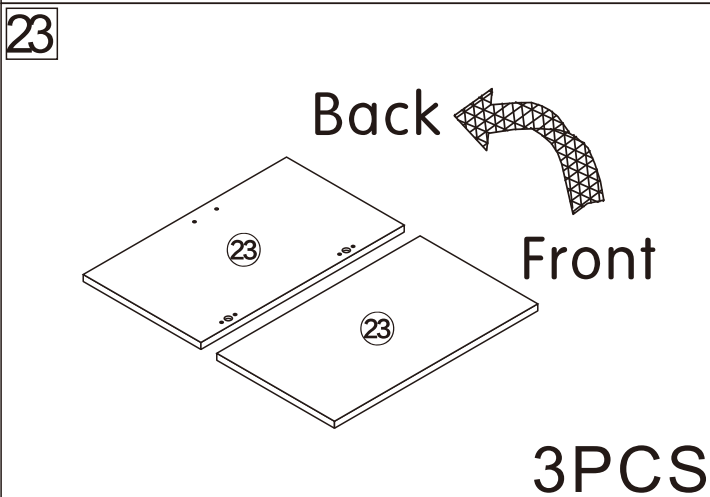
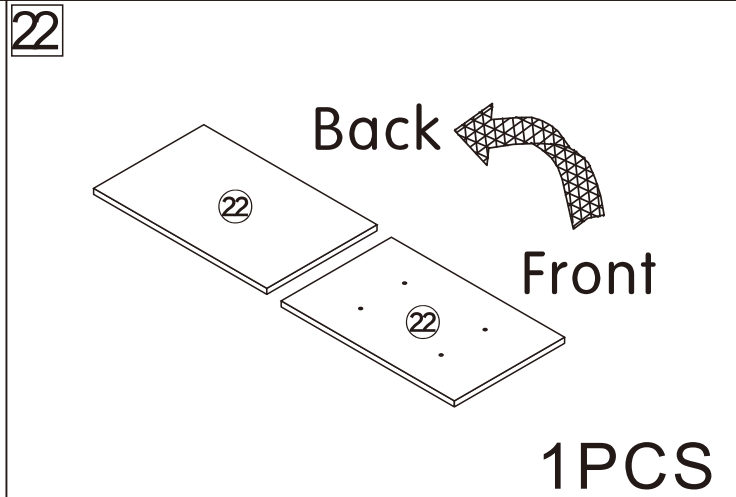
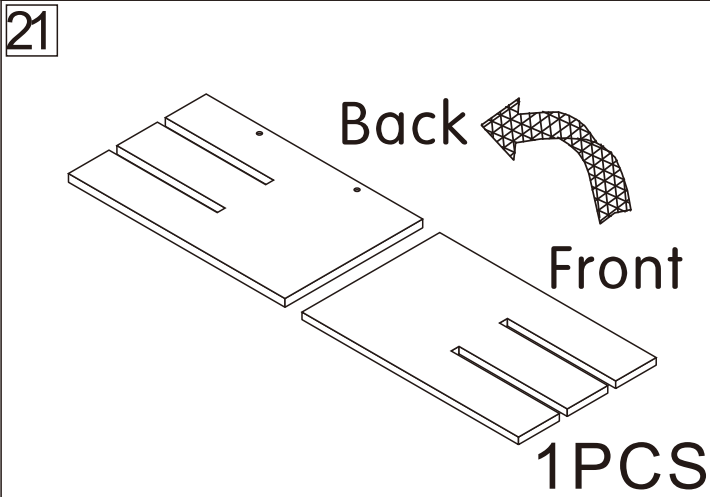
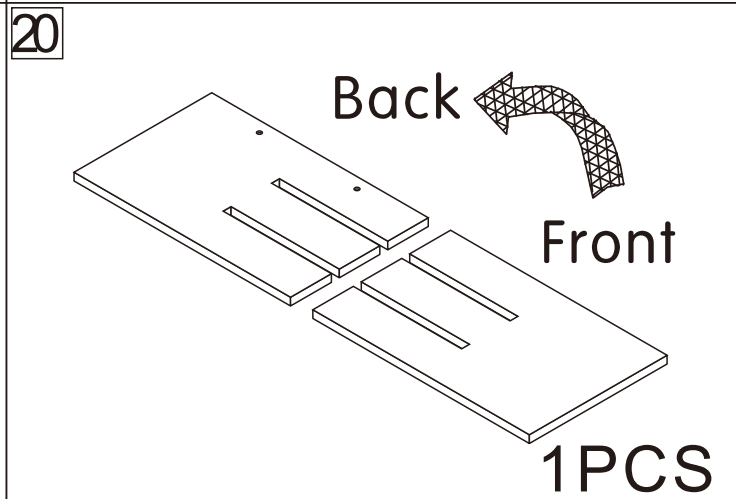
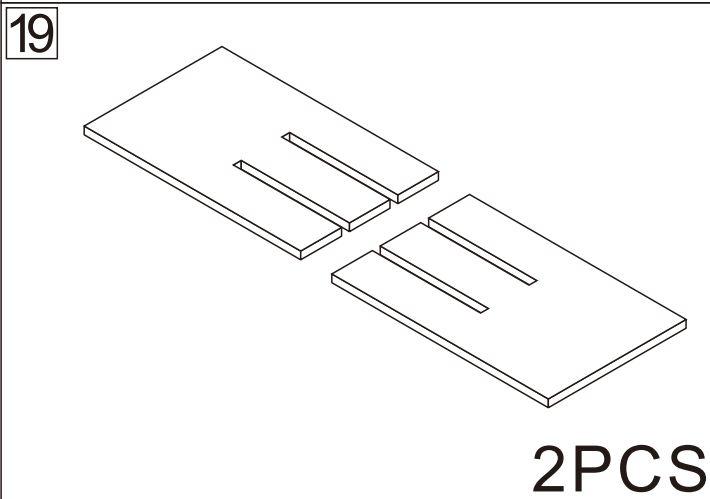
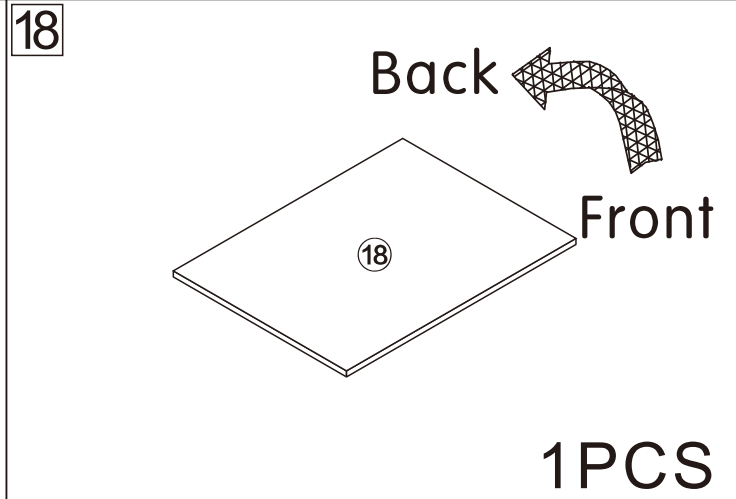
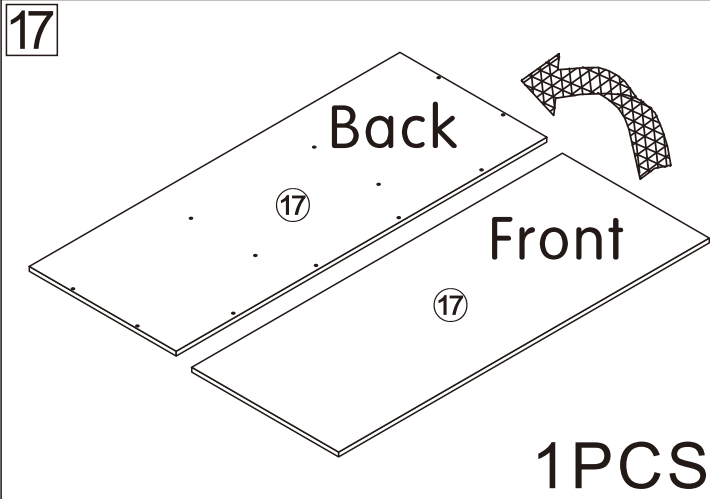
Disassembly and installation of accessories

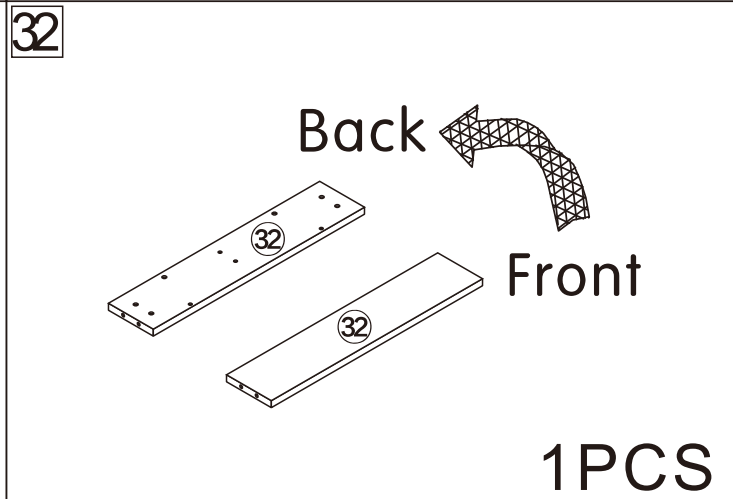
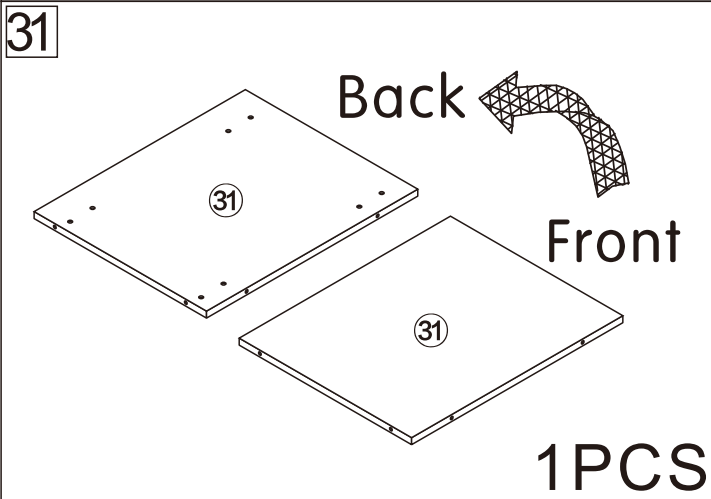
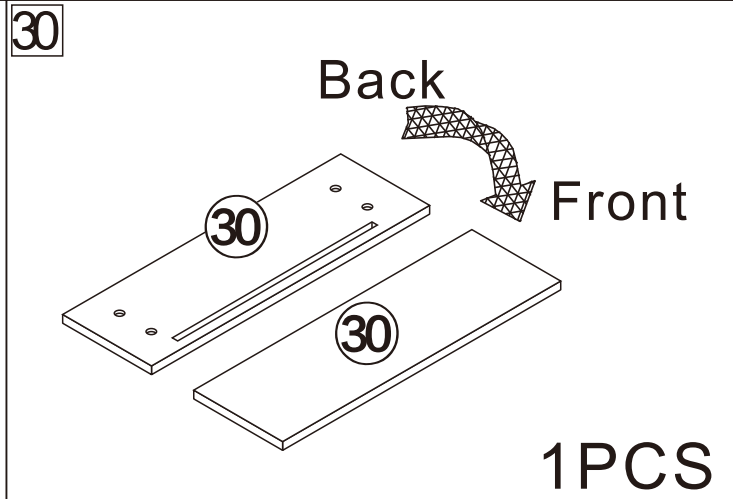
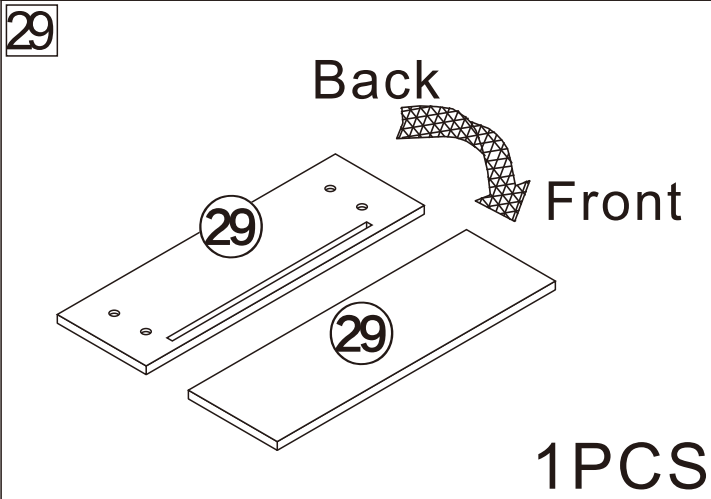
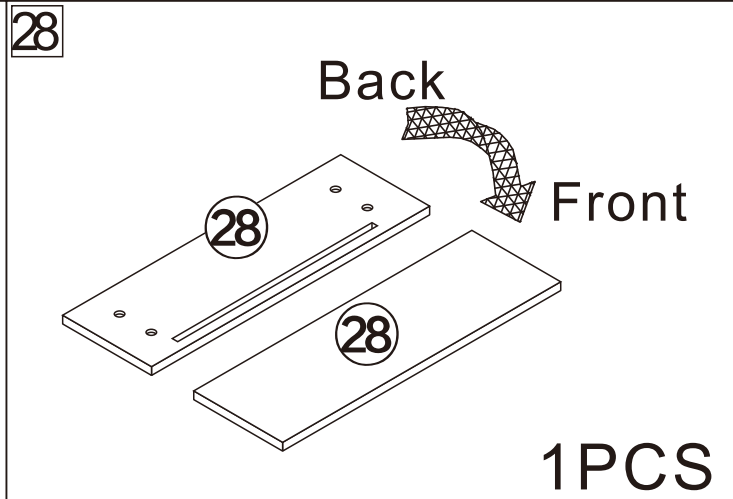
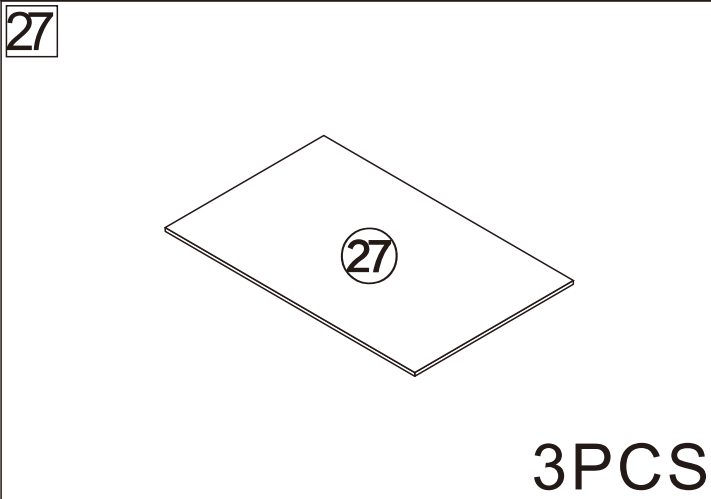
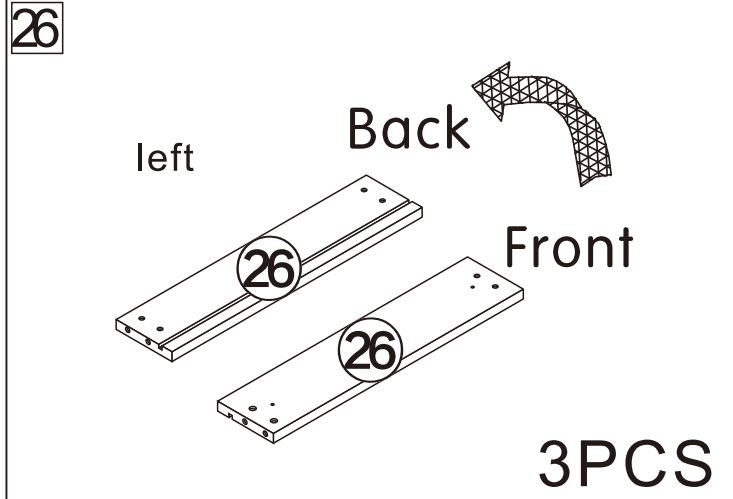
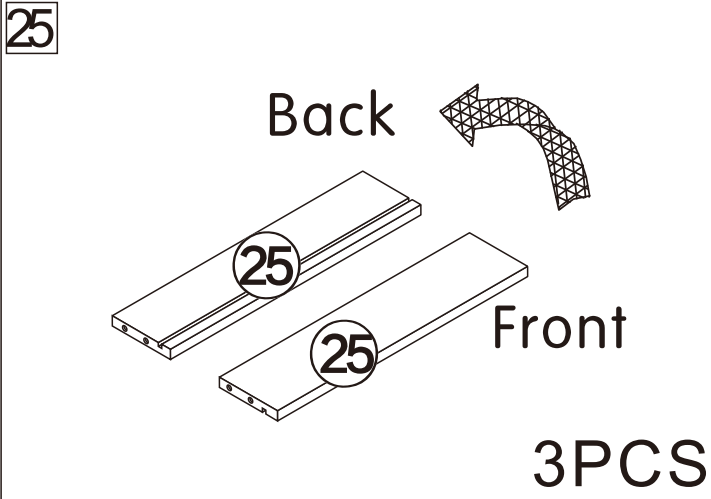


A 106PCS 15*10mm	B 106PCS 6*28mm	C 68PCS 3.5*14mm	D 12PCS 3.5*40mm	E 16PCS φ 15mm	F 12PCS 4*18mm	G 6PCS 	H 6PCS 	I 4PCS φ5*8mm
J 6PCS 	K 4PCS 	L 24PCS 4*12mm	M 12PCS 6*55mm	N 2PCS 	O 1PCS 8*25mm	P 1PCS 	 Tools Recommended	

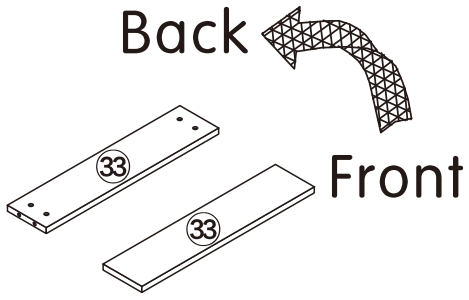






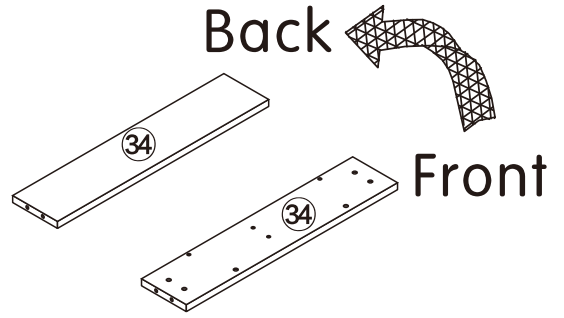


33



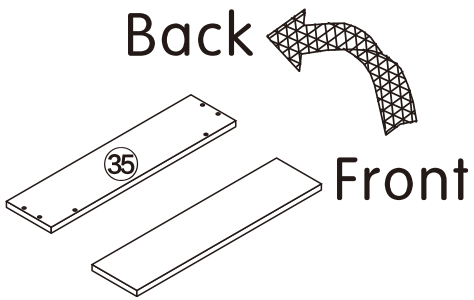
1PCS

34



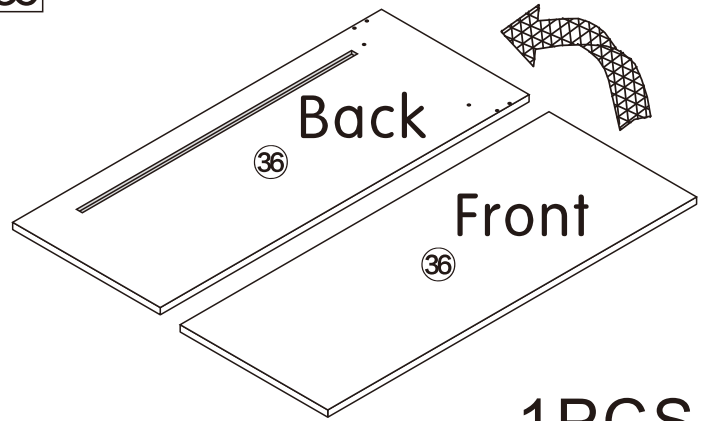
1PCS

35



1PCS

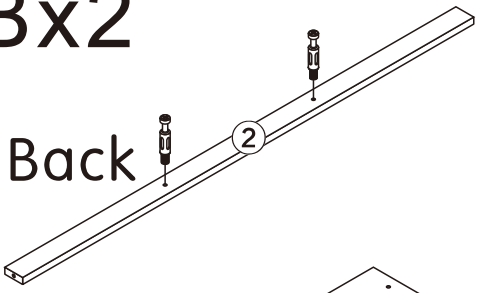
36



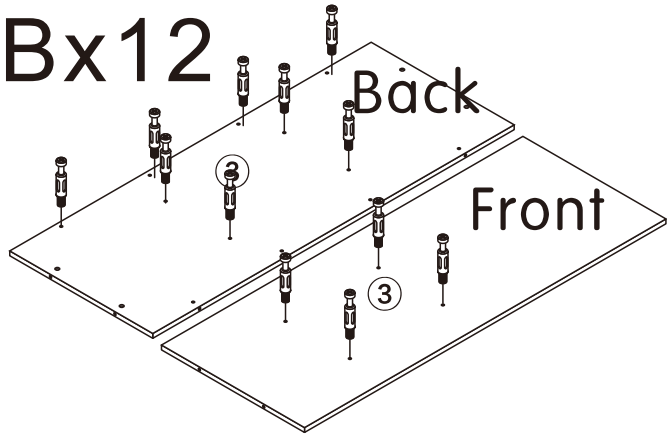
1PCS

1

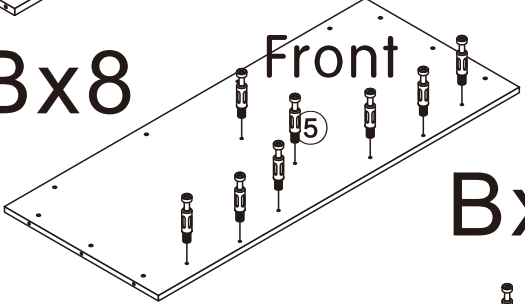
Bx2



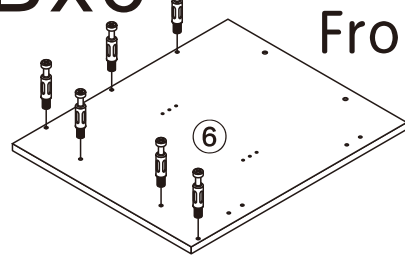
Bx12



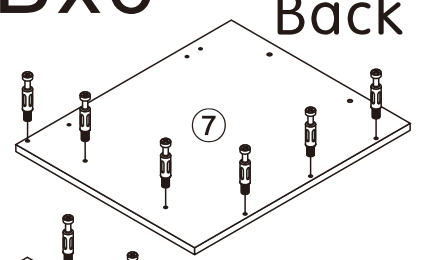
Bx8



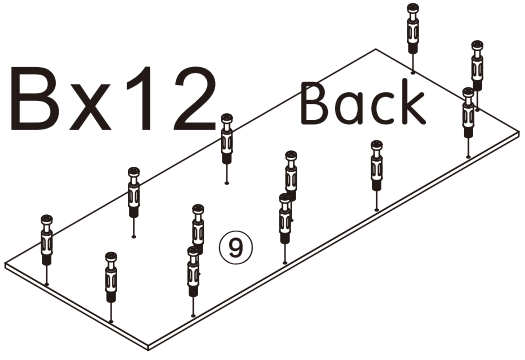
Bx6



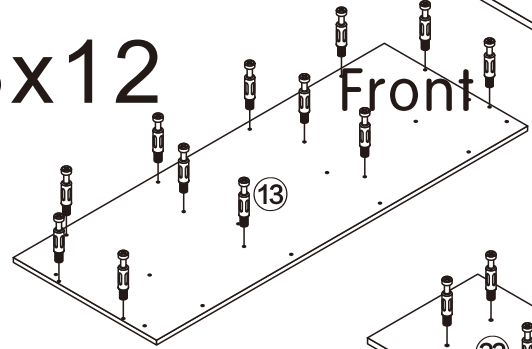
Bx6



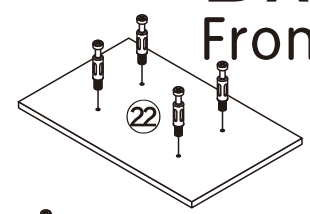
Bx12



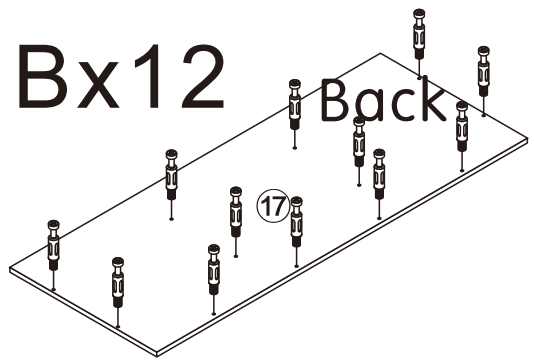
Bx12



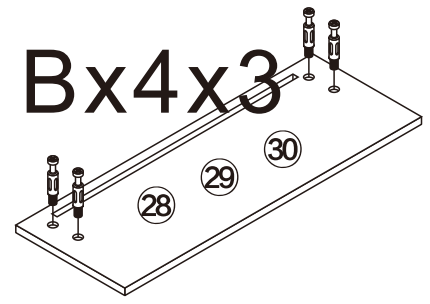
Bx4
Front



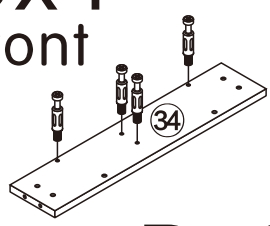
Bx12



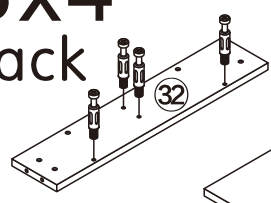
Bx4x3



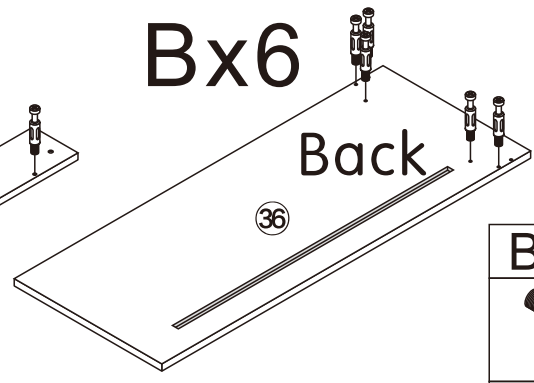
Bx4
Front



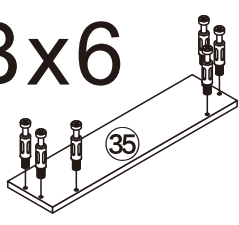
Bx4
Back



Bx6



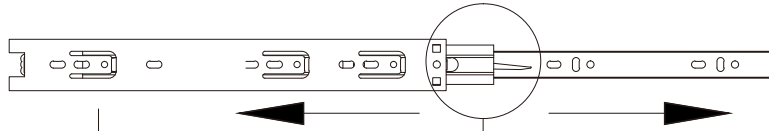
Bx6



B	106PCS
6*28mm	

2

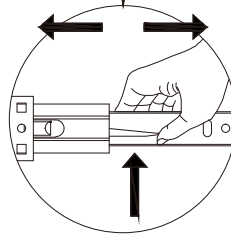
Gx6



G₁



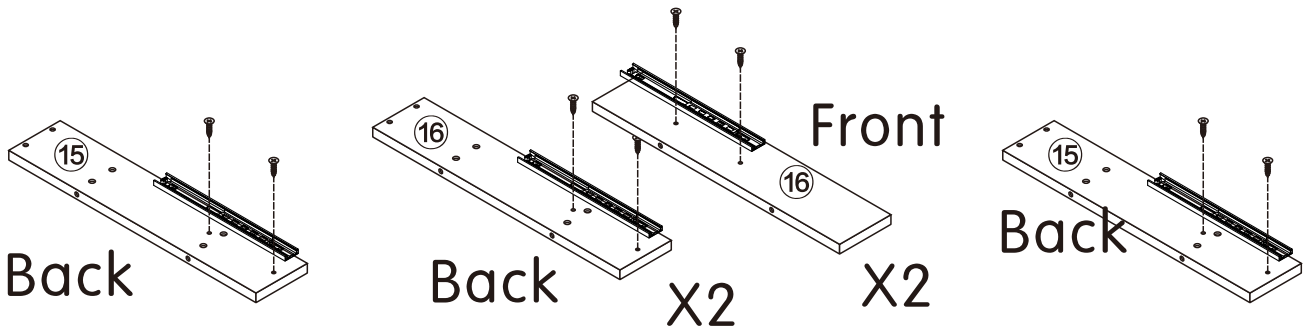
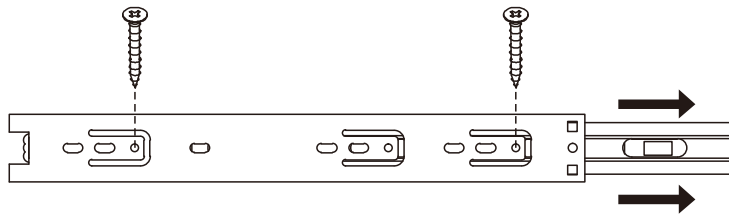
G₂



G	6PCS
Three-section Rail	

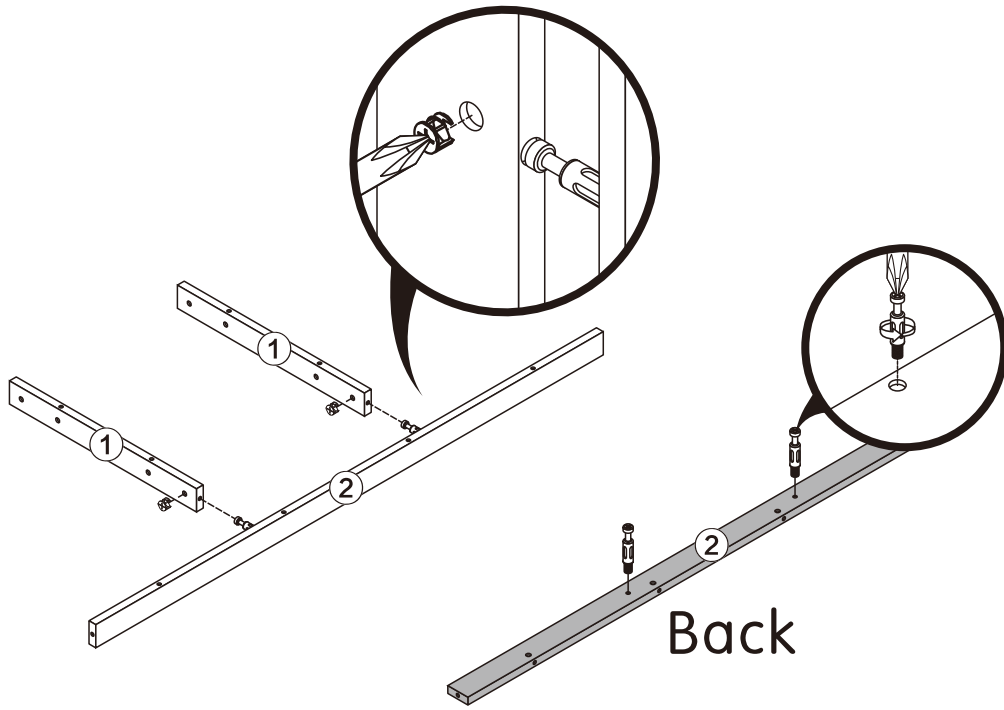
3


G₁X6
CX6X2



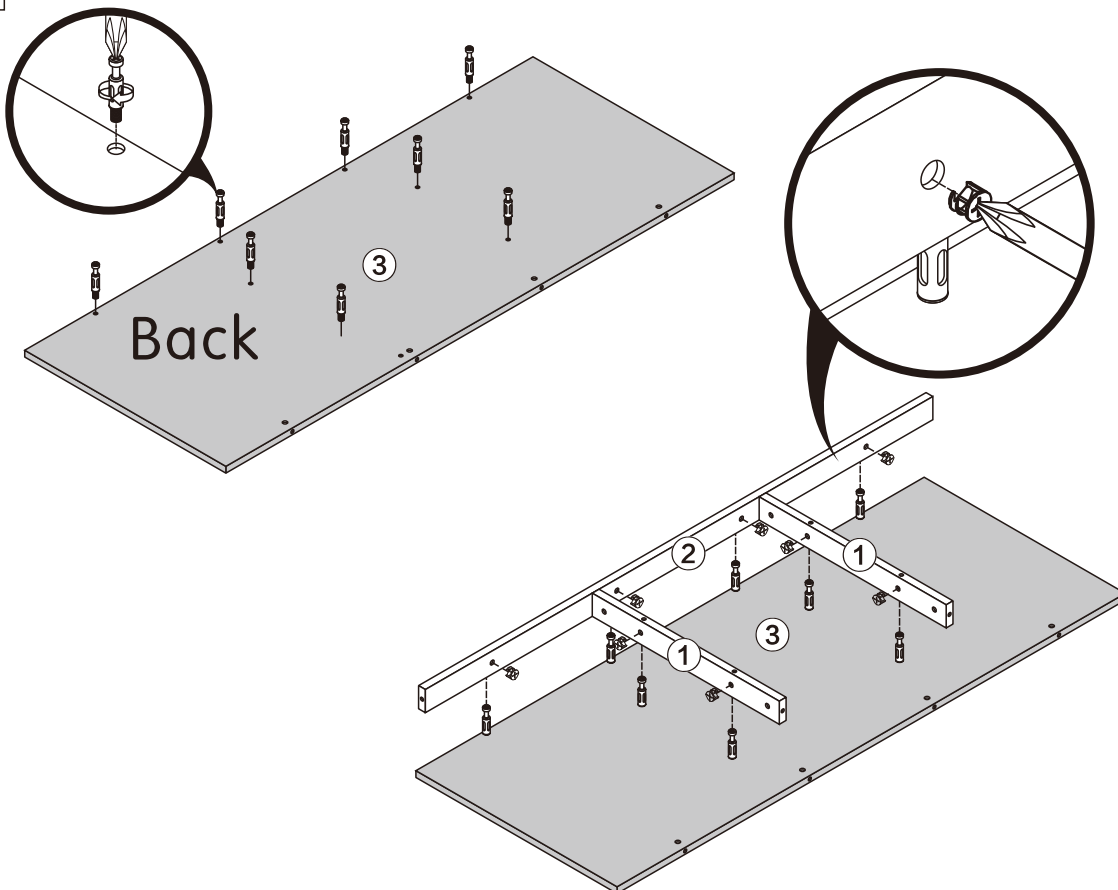
C	12PCS	G₁	6PCS
3.5*14mm		Three-section Rail	


4



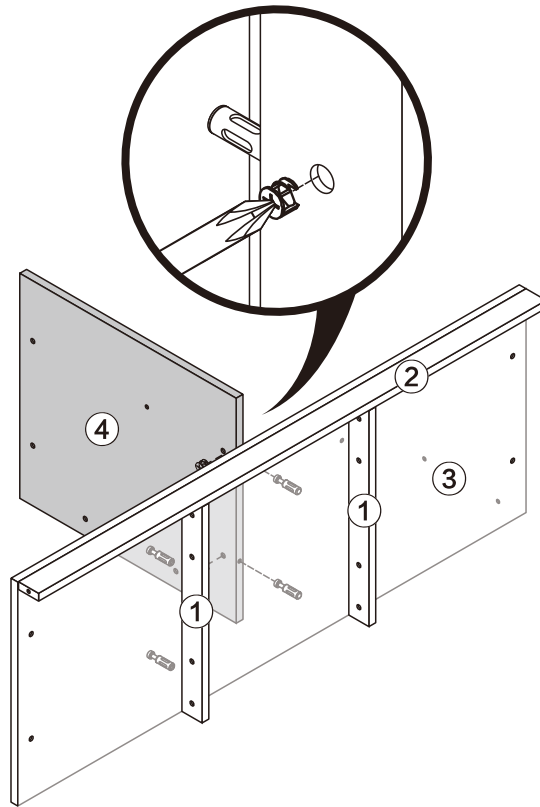
A	2PCS
	
15*10mm	


5



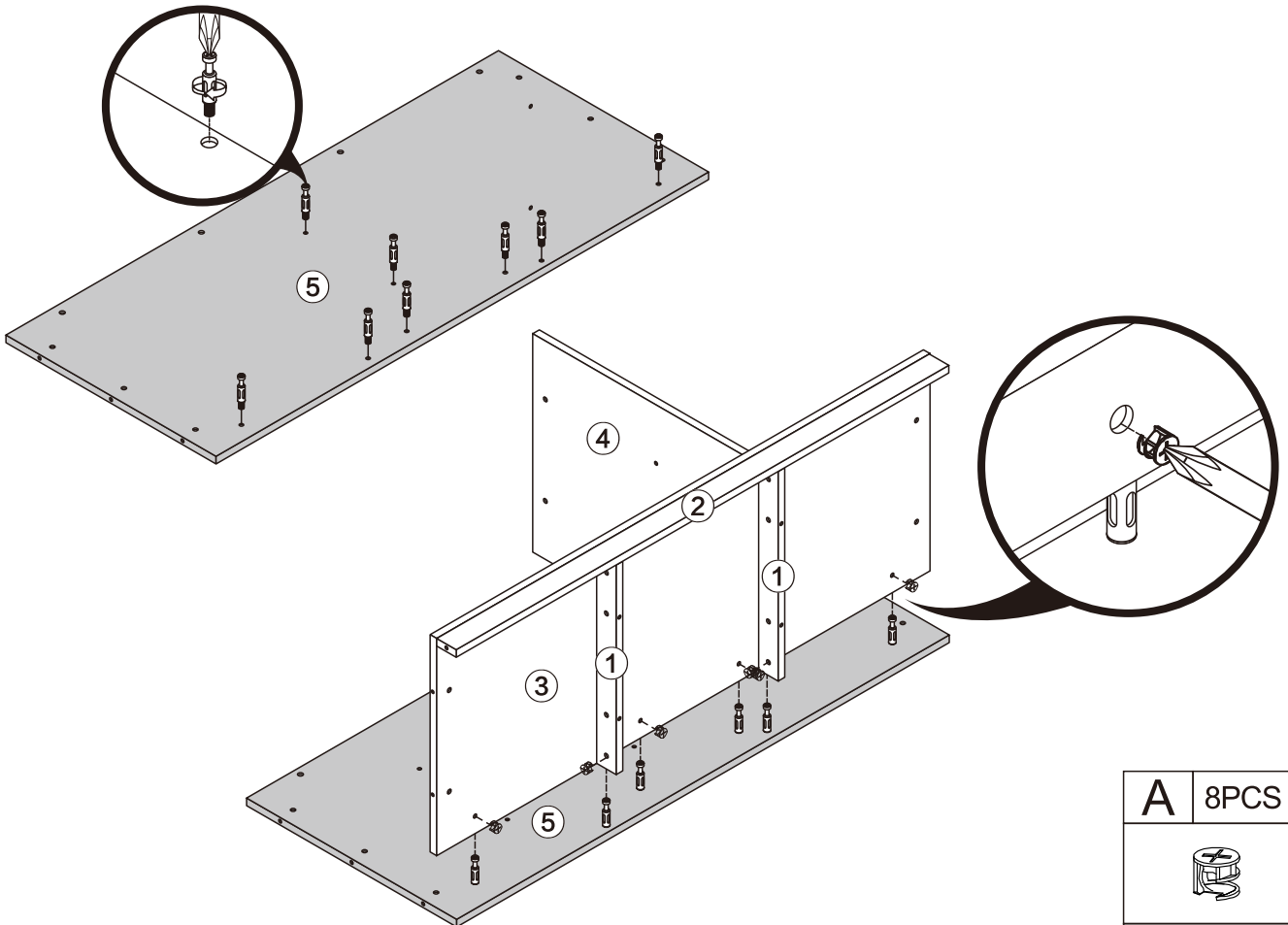
A	8PCS
	
15*10mm	


7



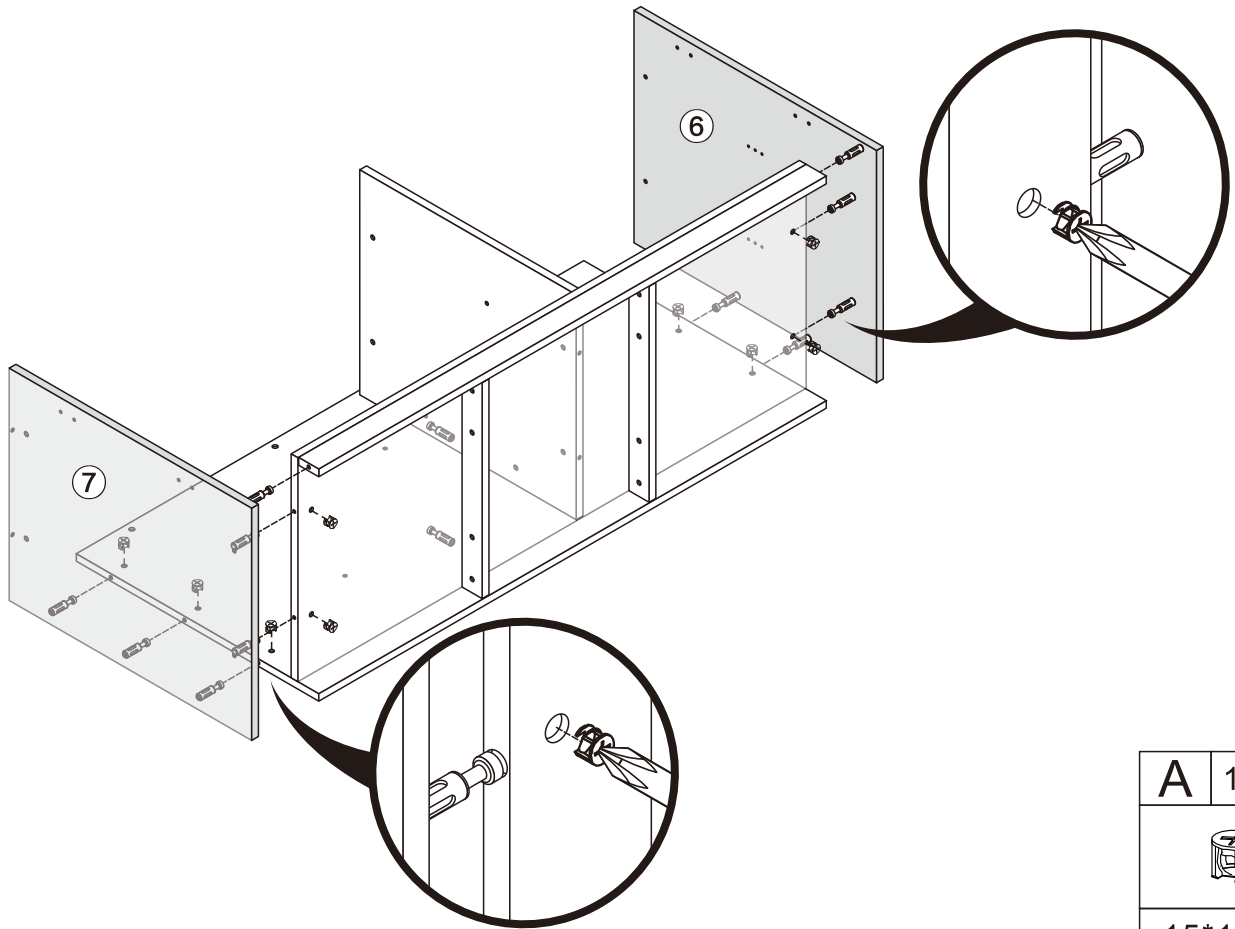
A	2PCS
	
15*10mm	


8



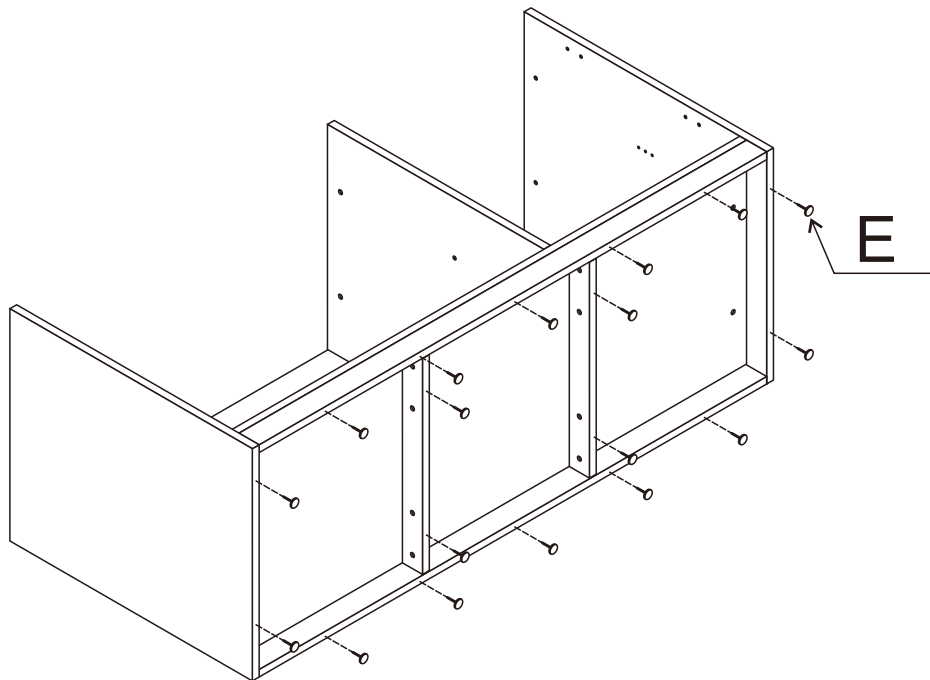
A	8PCS
	
15*10mm	


9



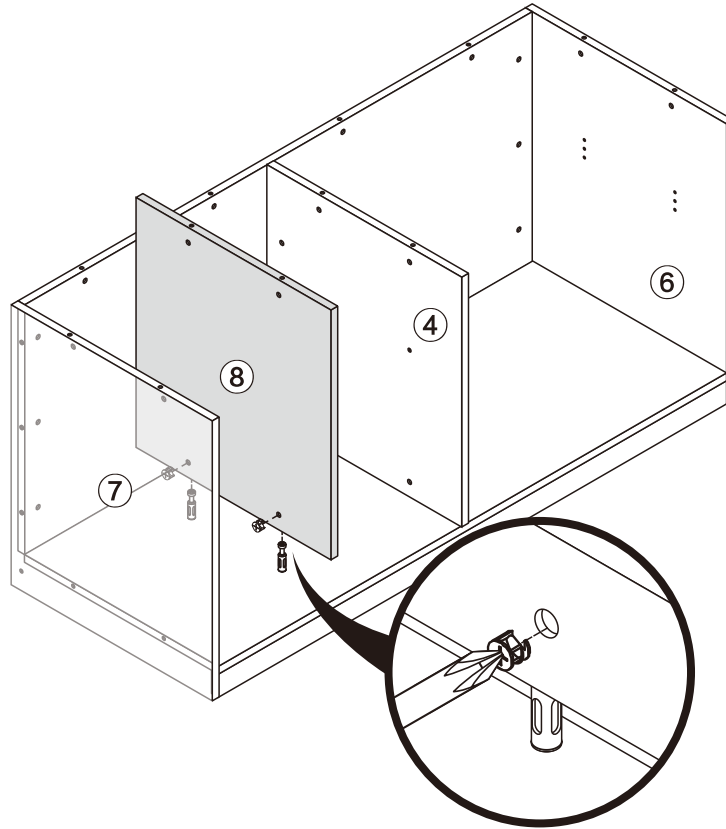
A	12PCS
	
15*10mm	


10



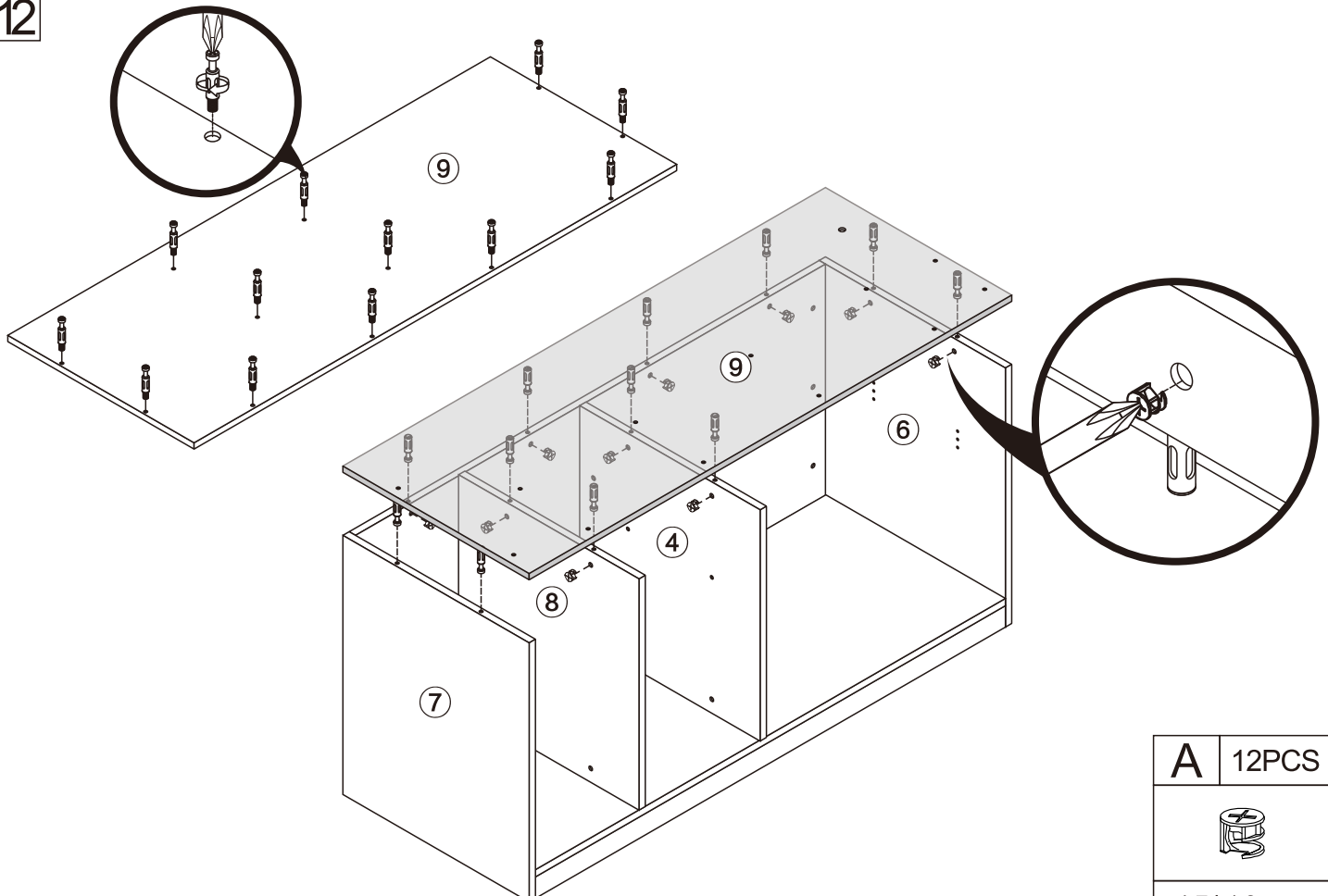
E	16PCS
	
φ 15mm	


11



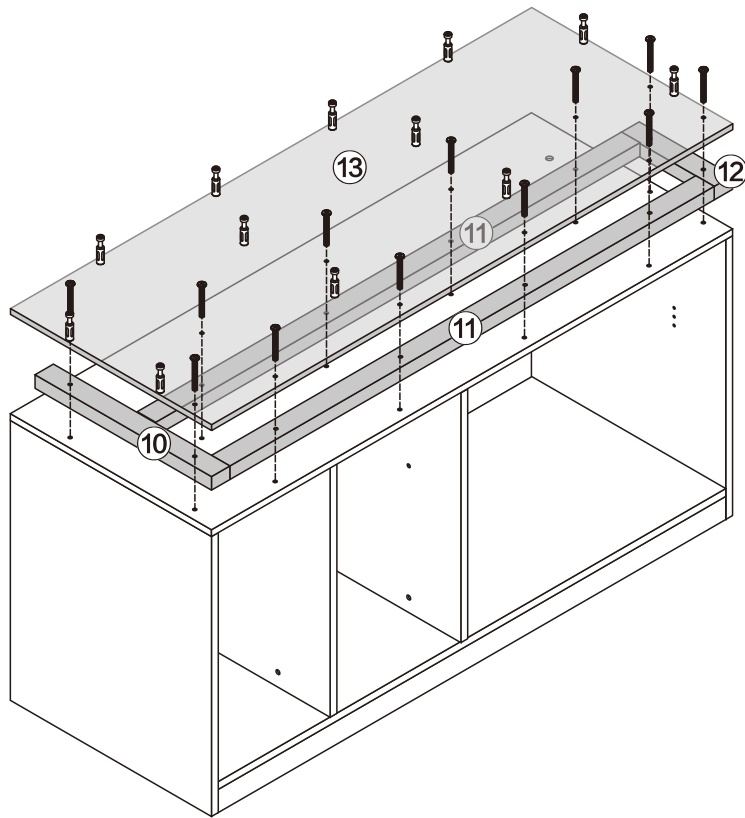
A	2PCS
	
15*10mm	


12



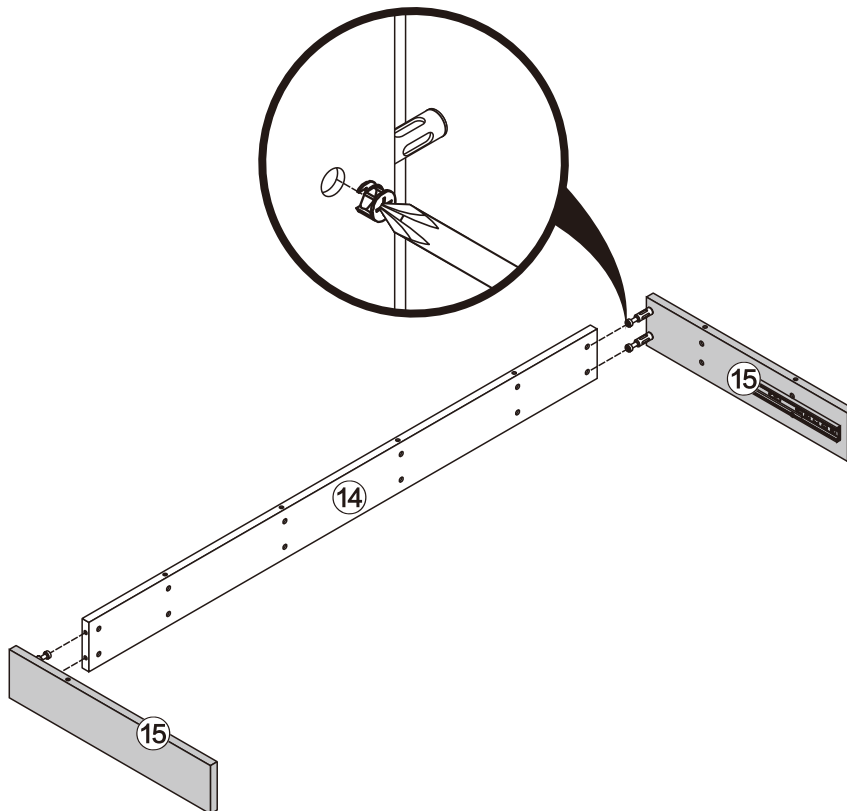
A	12PCS
	
15*10mm	


13



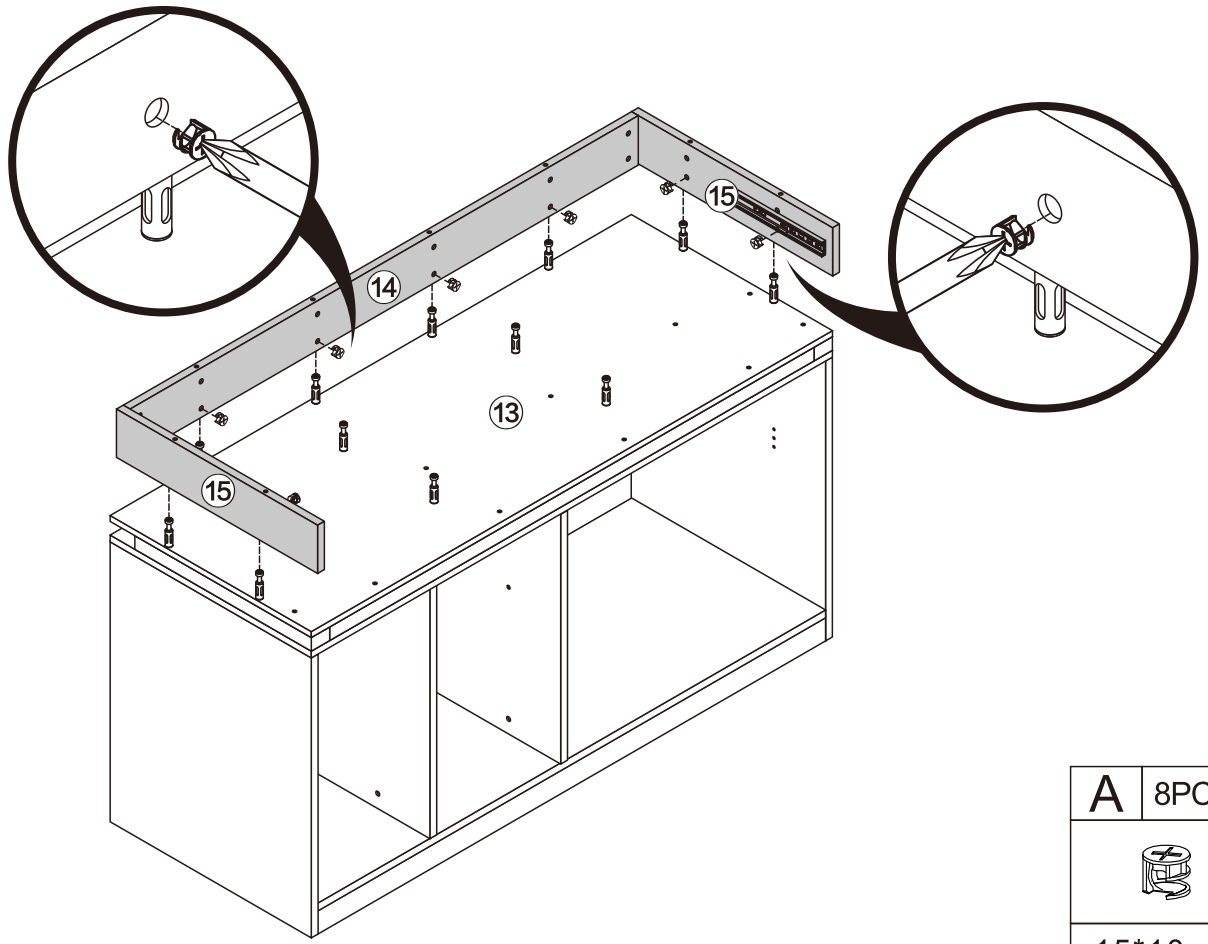
M	12PCS
	
6*55mm	


14



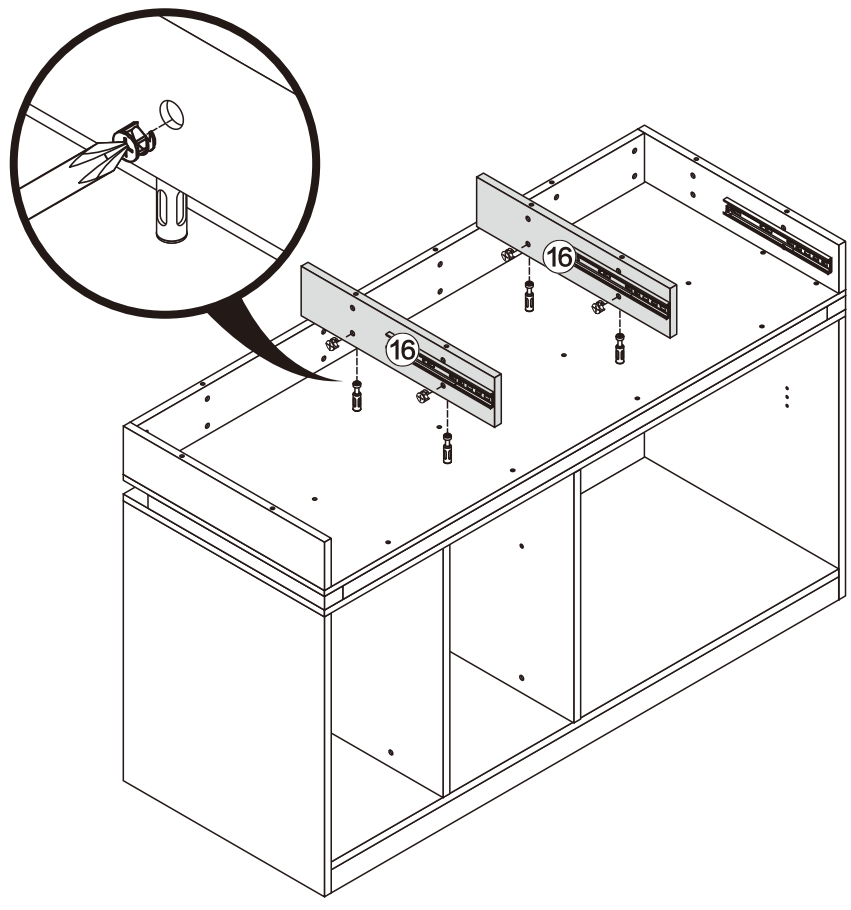
A	4PCS
	
15*10mm	


15



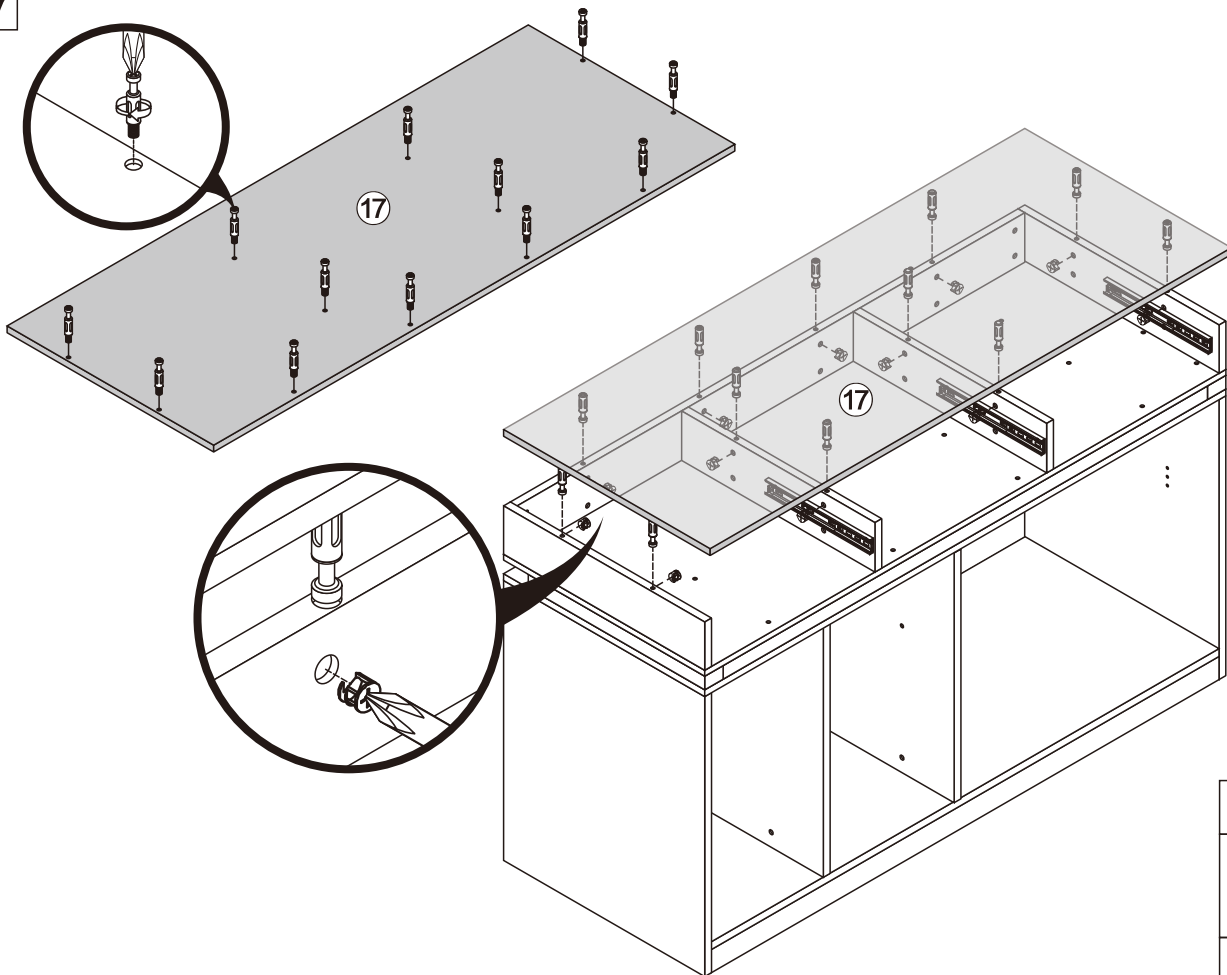
A	8PCS
	
15*10mm	


16



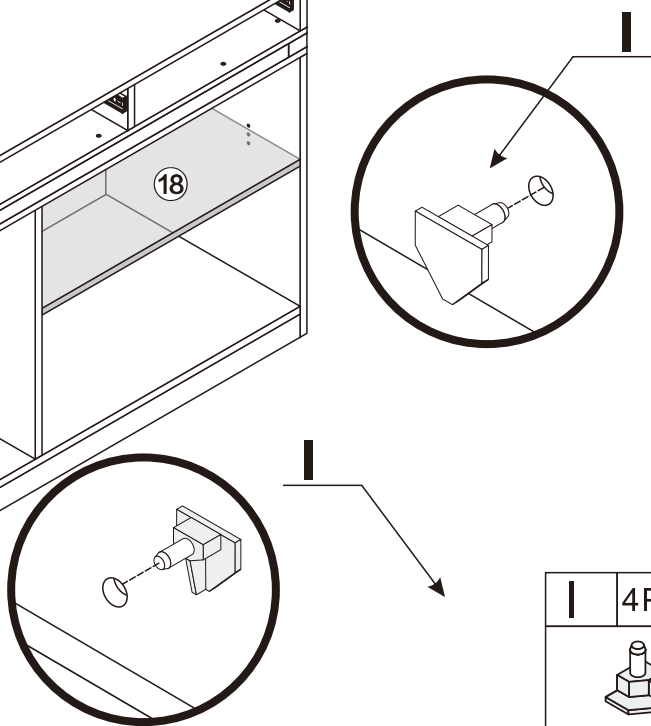
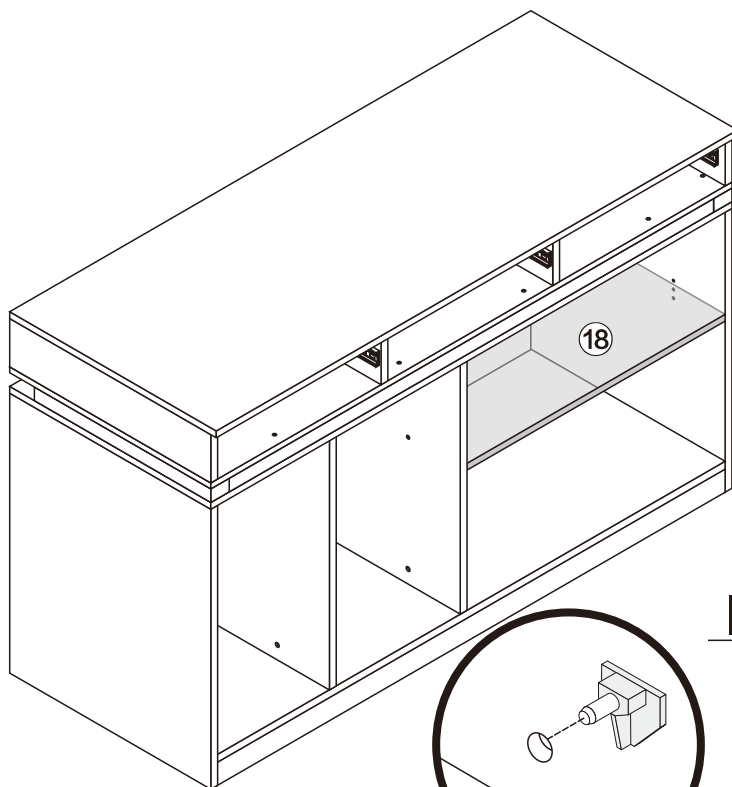
A	4PCS
	
15*10mm	

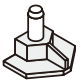
17



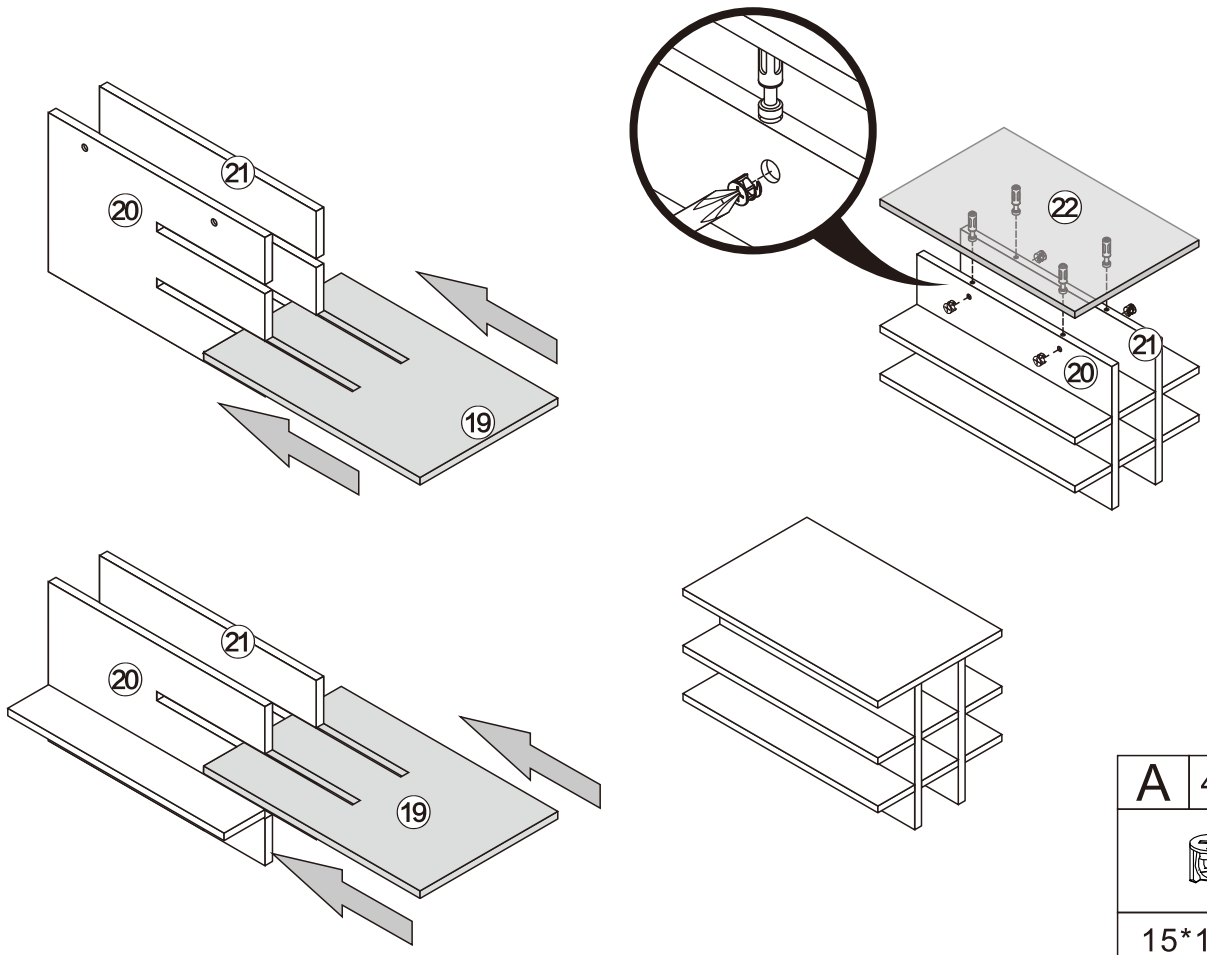
A	12PCS
	
15*10mm	


18



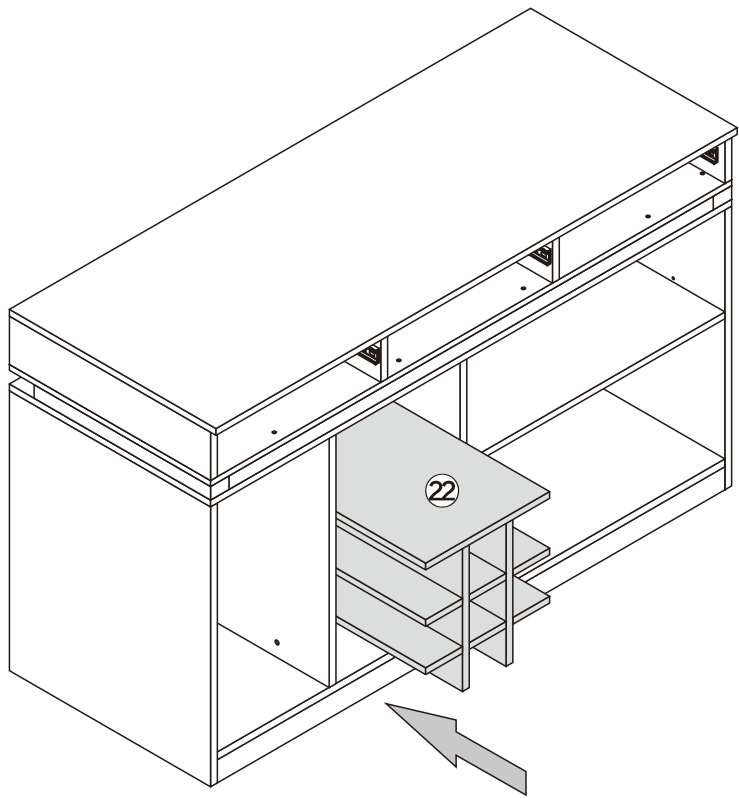
I	4PCS
	
Φ5*8mm	

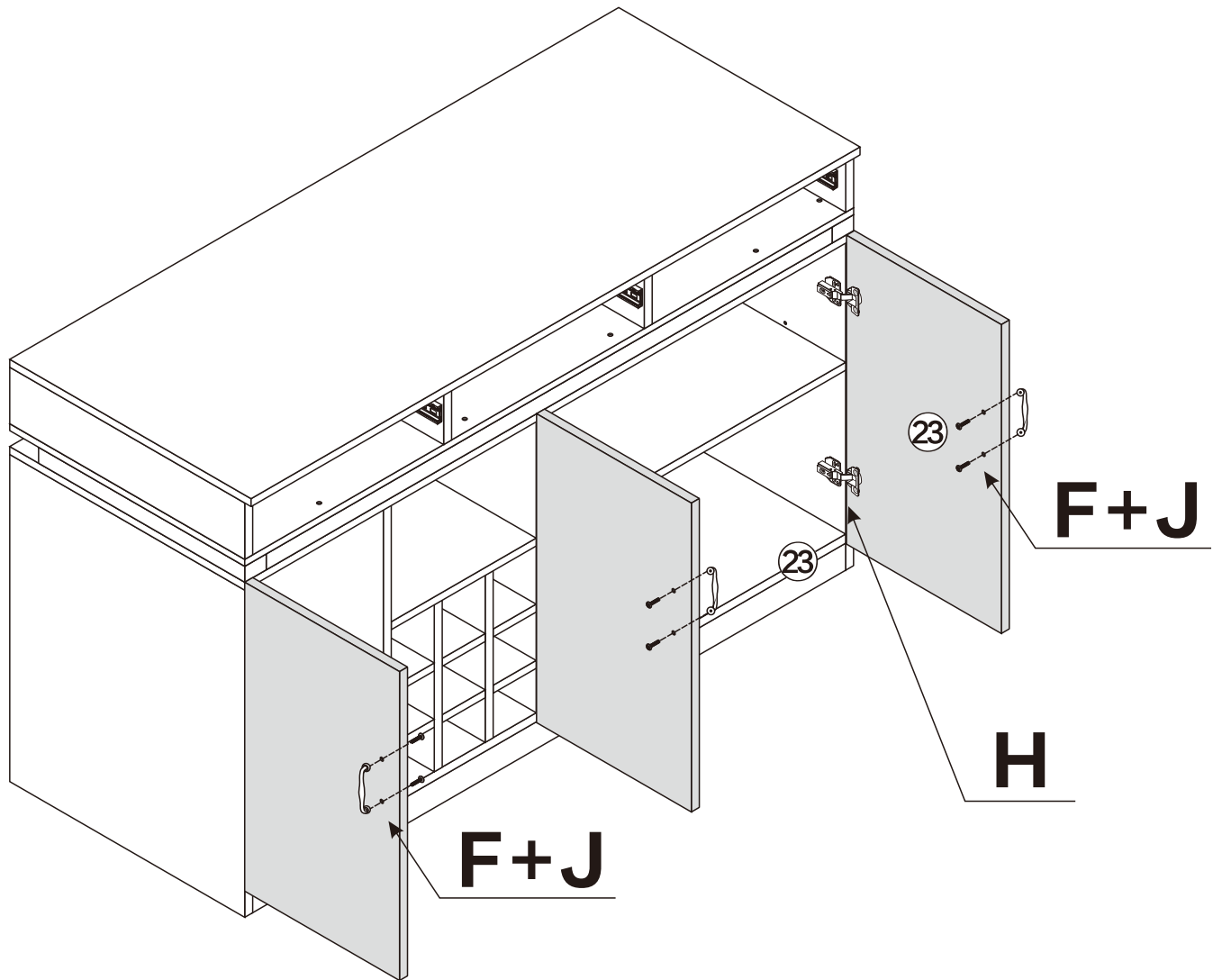
19








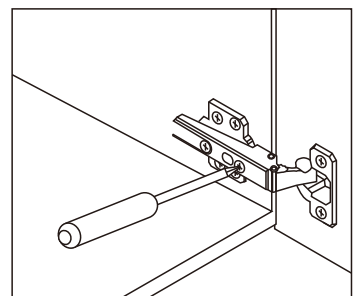
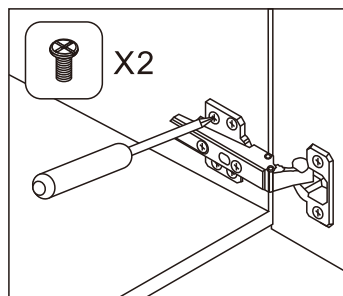
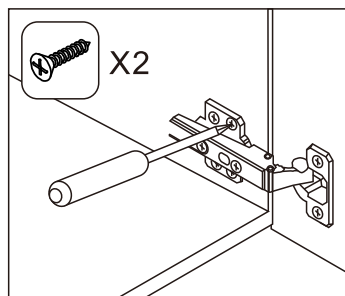
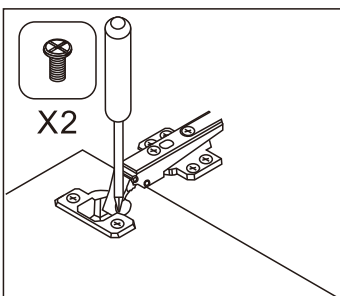
A	4PCS
	
15*10mm	

20

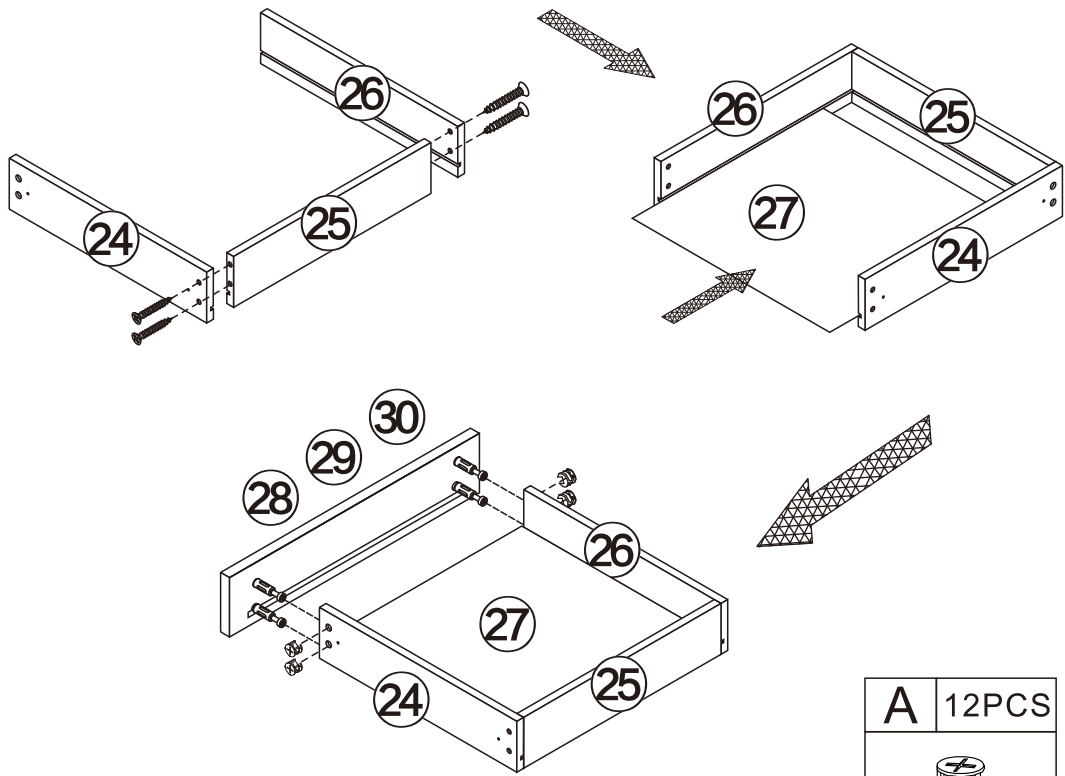




C	12PCS	F	6PCS	H	6PCS	J	3PCS	L	24PCS
									
3.5*14mm		4*18mm						4*12mm	

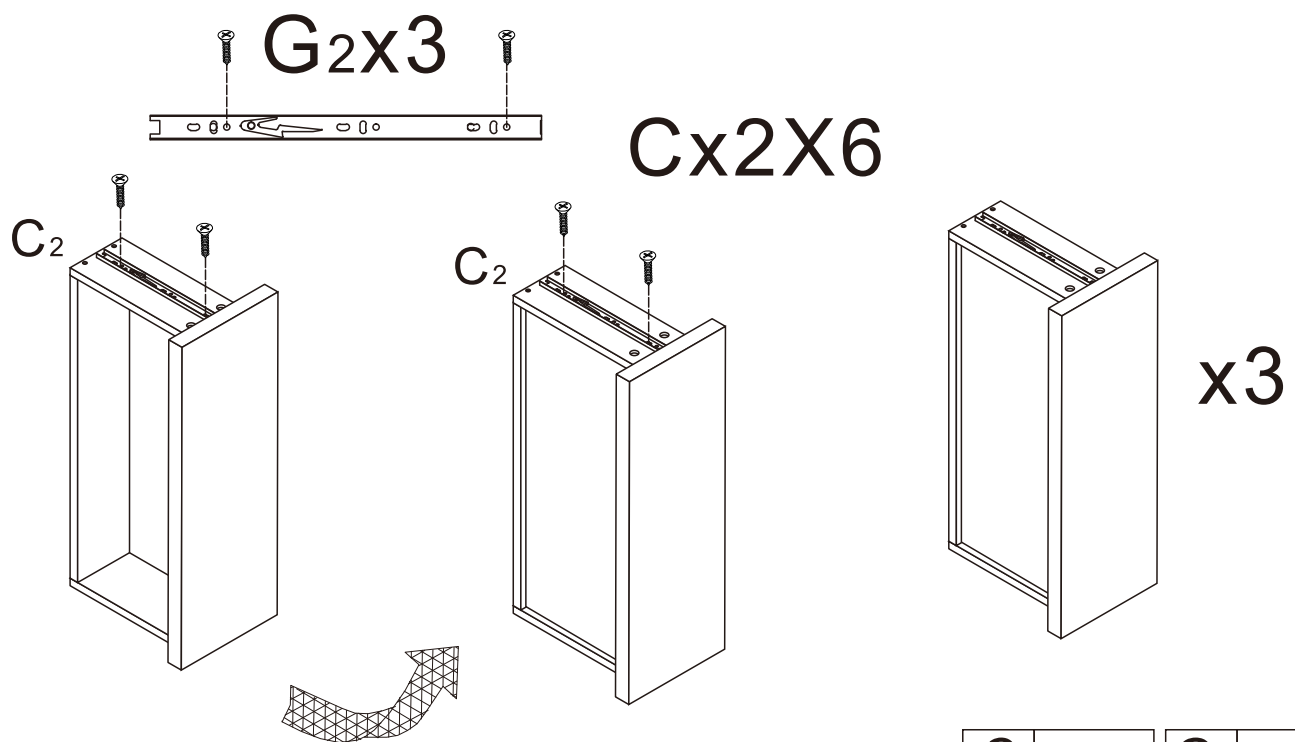


22

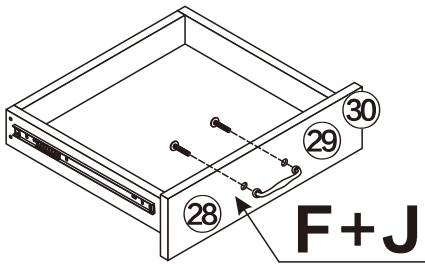
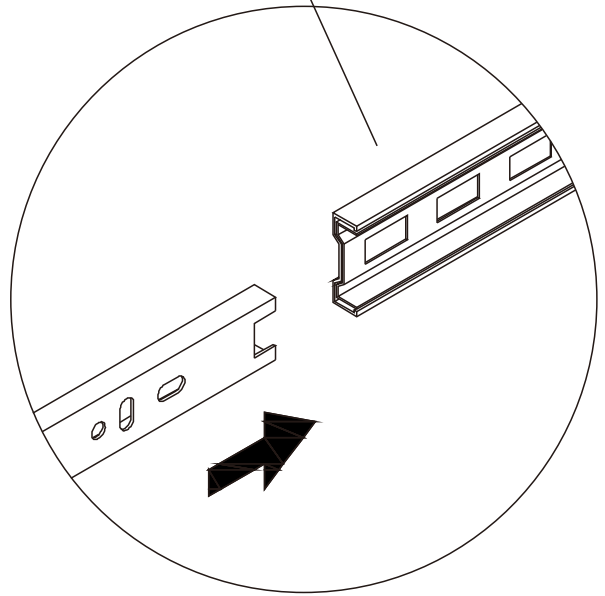
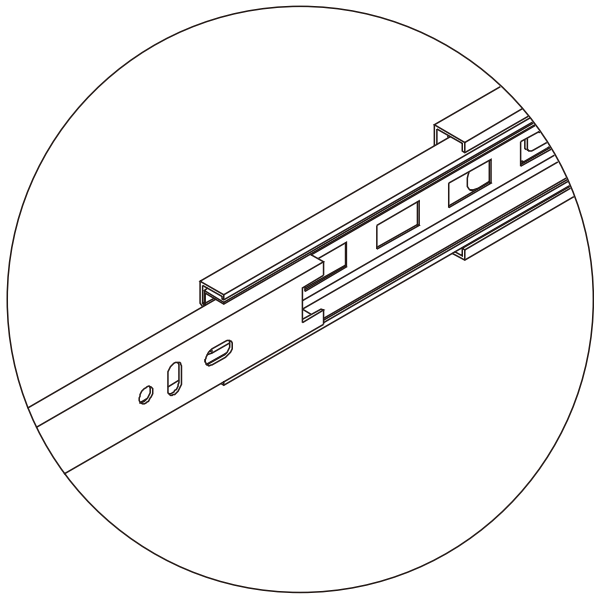
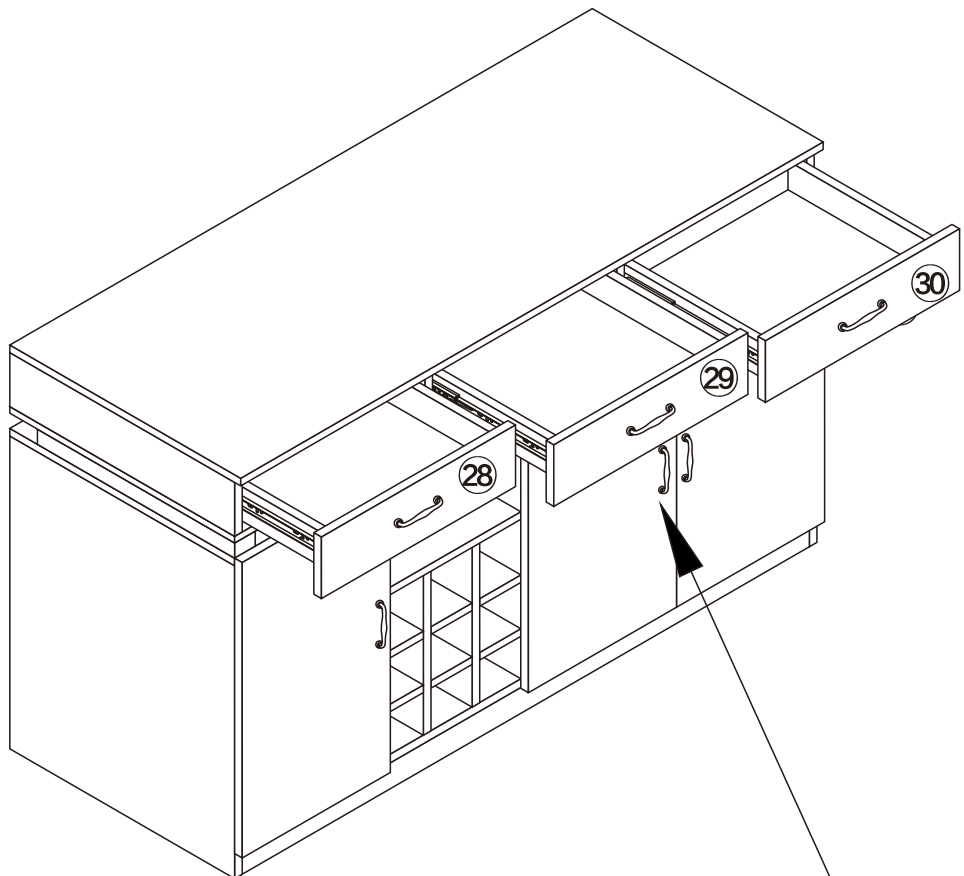


A	12PCS	D	12PCS
15*10mm		3.5*40mm	

23



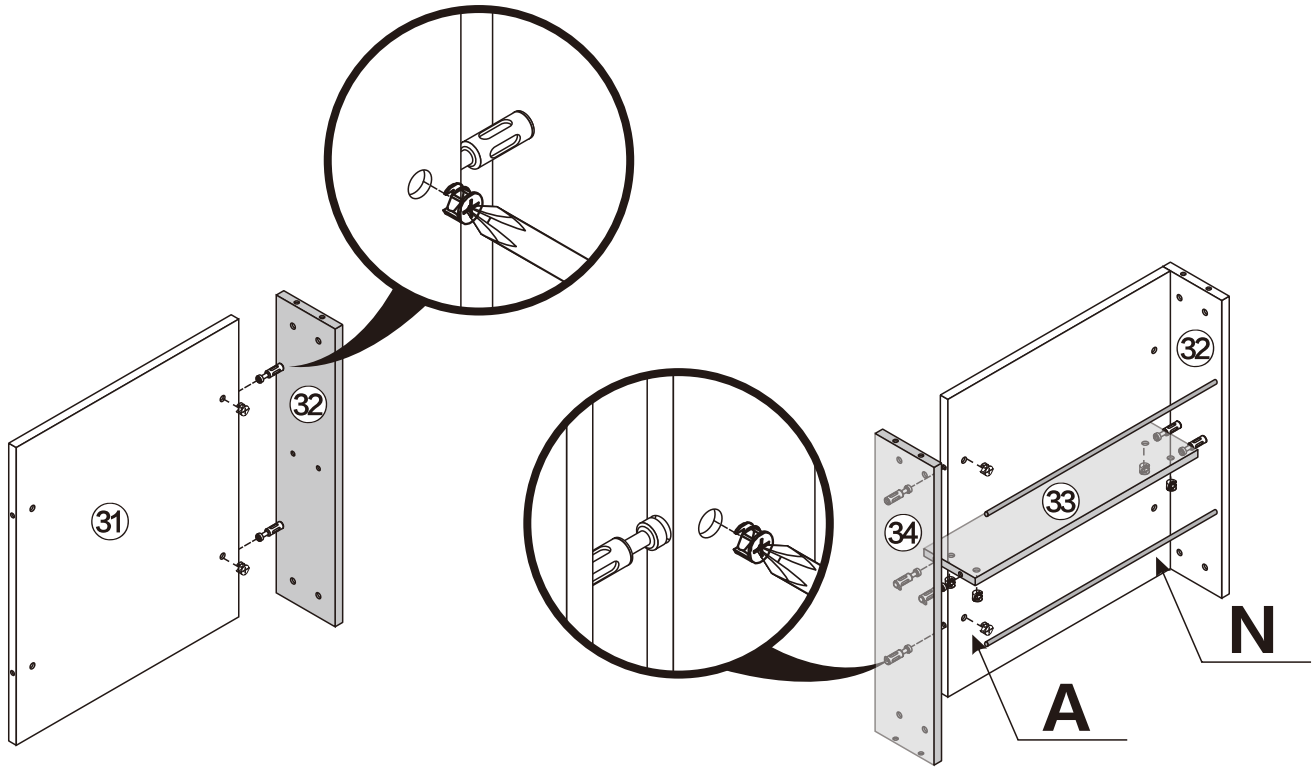
C	12PCS	G ₂	6PCS
3.5*14mm		Three-section Rail	





F+J

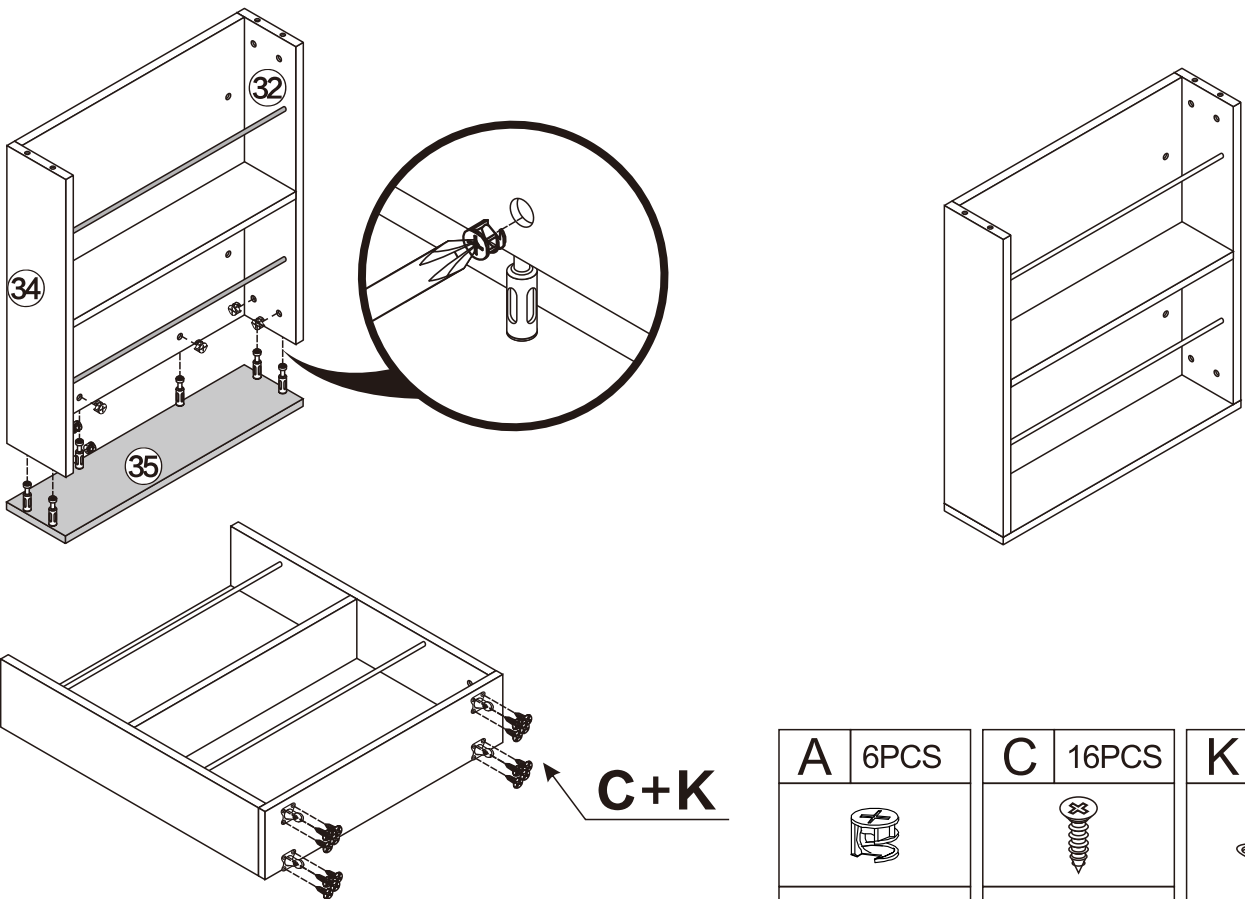
J	3PCS	F	6PCS
		4*18mm	




25

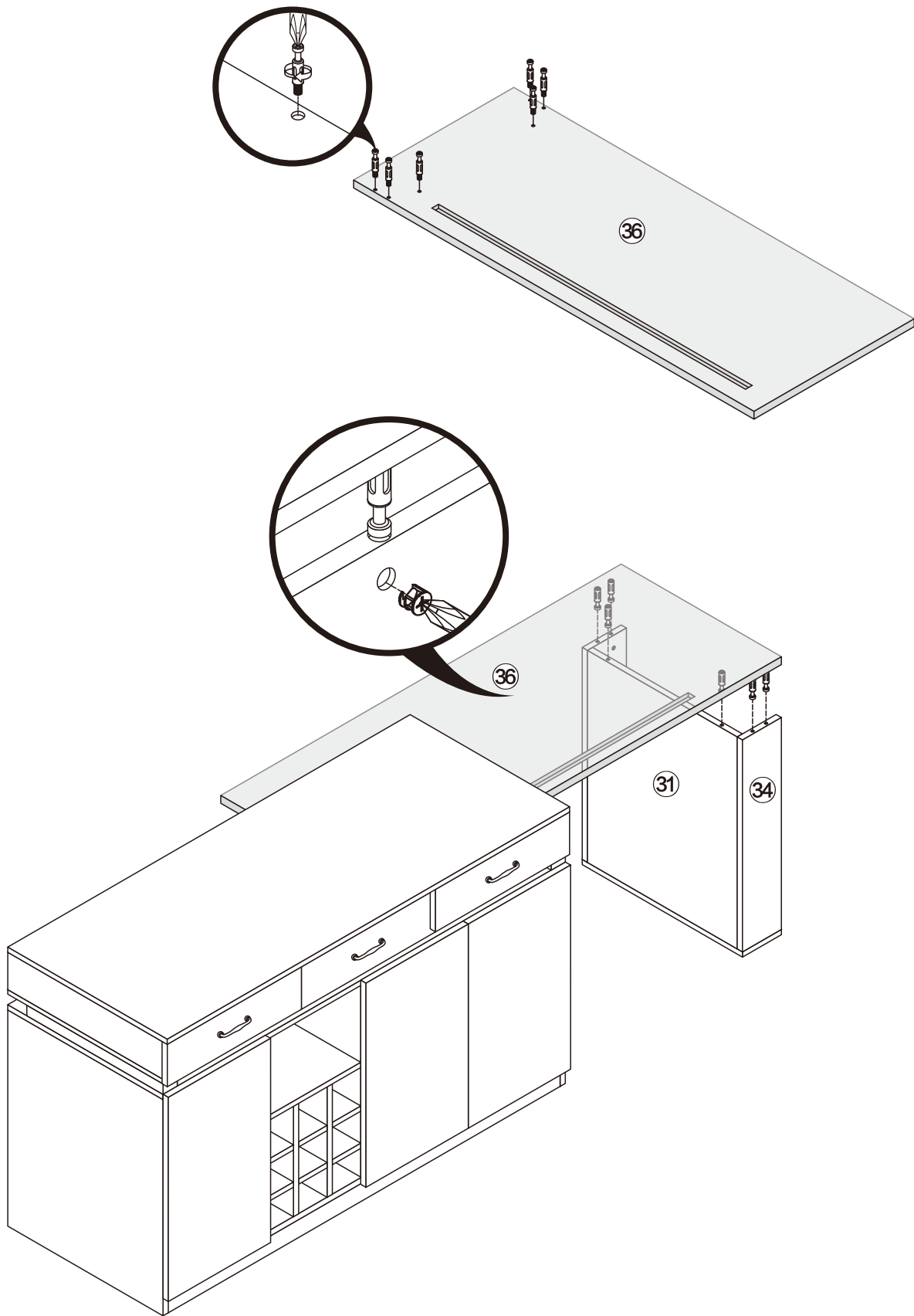



A	8PCS	N	2PCS
			
15*10mm			

26

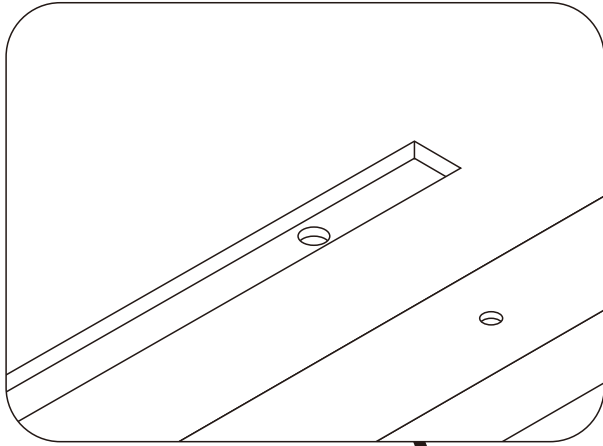


A	6PCS	C	16PCS	K	4PCS
					
15*10mm		3.5*14mm			

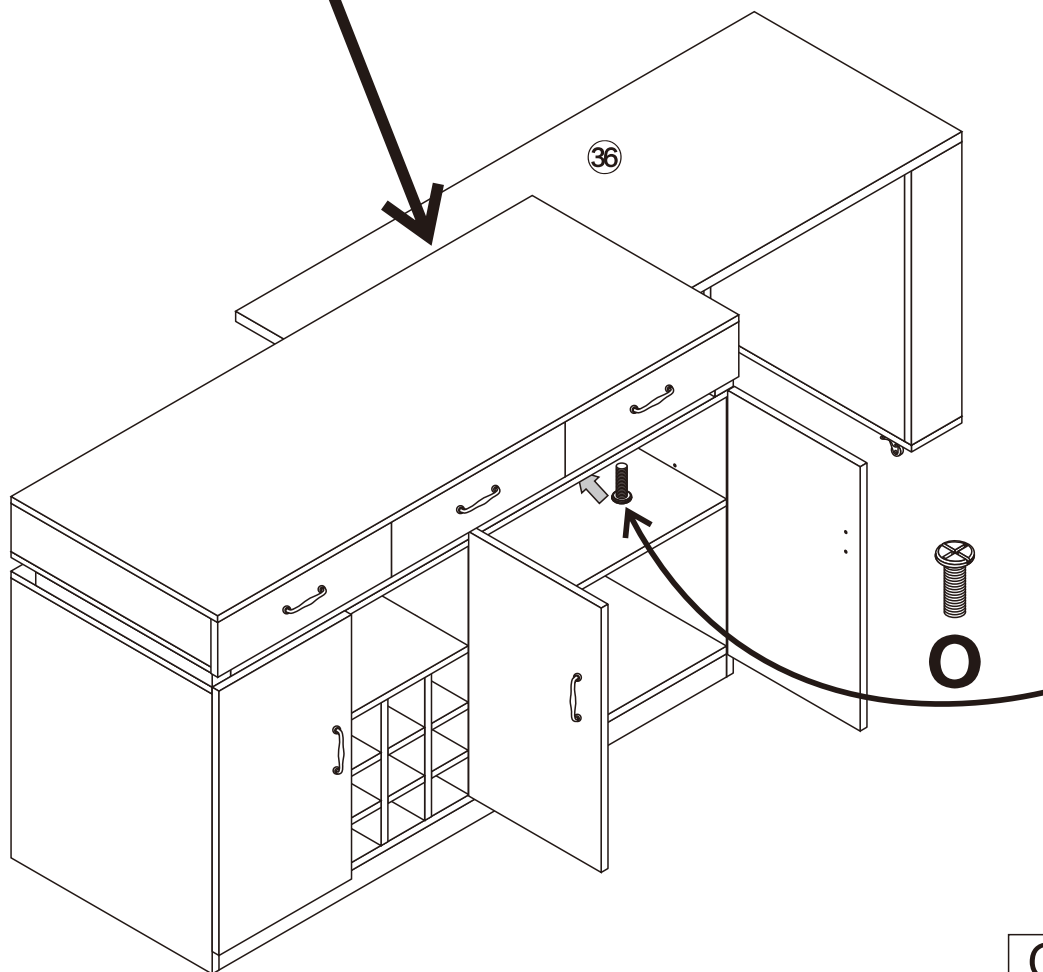
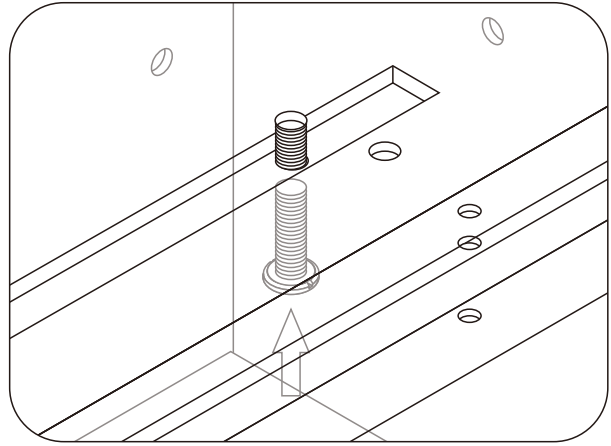



A	6PCS
	
15*10mm	

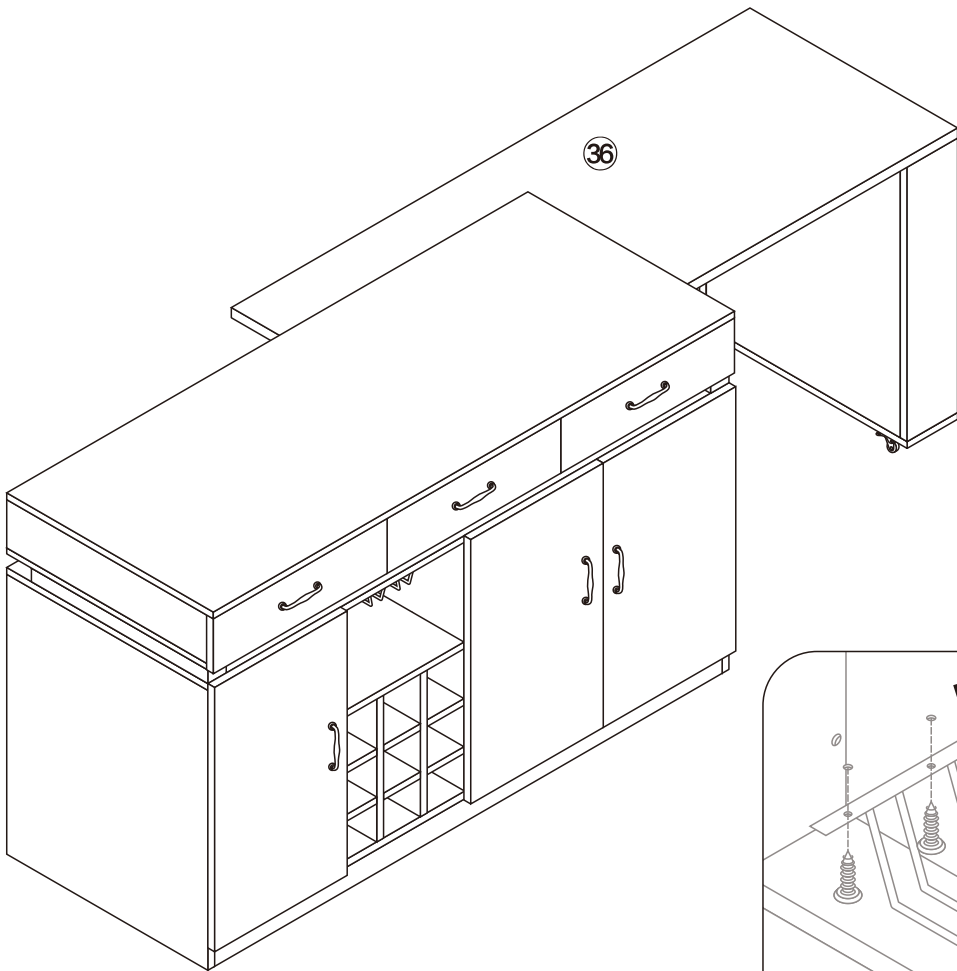
1. First, align the telescopic panel properly



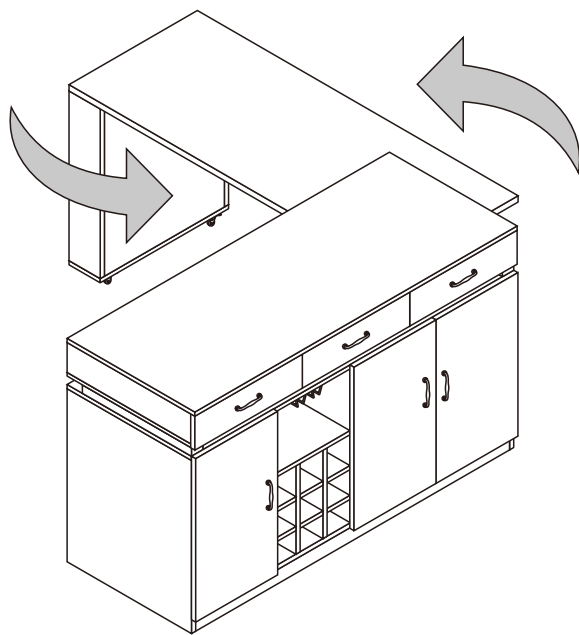
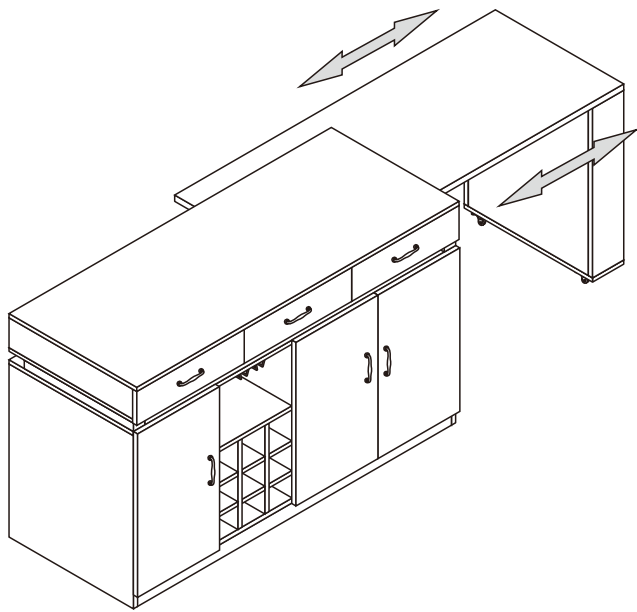
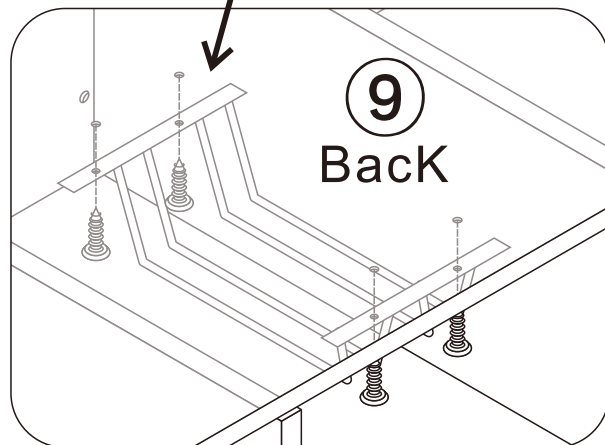
2. The screws should be threaded upwards from the No. 9 panel at the bottom. Align and move the slot on the reverse side of panel No. 36




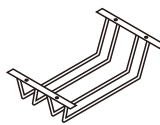
○	1PCS
	
8*25mm	



C+P



OK!

C	4PCS	P	1PCS
			
3.5*14mm			